



US00D407177S

United States Patent [19]

Henshaw et al.

[11] Patent Number: **Des. 407,177**

[45] Date of Patent: ****Mar. 23, 1999**

[54] MATERIALS HANDLING VEHICLE

[75] Inventors: **Robert J. Henshaw**, New Bremen;
Philip D. Palermo, Sidney; **Steven R. Pulskamp**, New Bremen; **Donald E. Luebrecht**, Jennings; **Michael P. Gallagher**, Greenville; **Timothy S. Quellhorst**; **Allen T. Trego**, both of New Bremen, all of Ohio

[73] Assignee: **Crown Equipment Corporation**, New Bremen, Ohio

[**] Term: **14 Years**

[21] Appl. No.: **85,205**

[22] Filed: **Mar. 18, 1998**

Related U.S. Application Data

[62] Division of Ser. No. 60,041, Sep. 20, 1996.

[51] LOC (6) Cl. **12-05**

[52] U.S. Cl. **D34/34**

[58] Field of Search D34/28, 34, 37;
D12/14-15, 93-94; 280/402; 180/89, 12;
414/679, 81.4, 294, 680

[56] References Cited

U.S. PATENT DOCUMENTS

D. 234,050 1/1975 Crawford et al. D34/34
D. 327,356 6/1992 Laatsch D34/34

Primary Examiner—Doris Clark
Attorney, Agent, or Firm—Killworth, Gottman, Hagan & Schaeff LLP

[57] CLAIM

The ornamental design for a materials handling vehicle, as shown and described.

DESCRIPTION

FIG. 1 is a perspective view of our new design, as viewed from the left rear of the materials handling vehicle;
FIG. 2 is a left side elevational view of our new design;
FIG. 3 is a rear elevational view of our new design;
FIG. 4 is a right side elevational view of our new design; and,
FIG. 5 is a cross-sectional plan view of our new design taken on line 5—5 of FIG. 3.

1 Claim, 5 Drawing Sheets

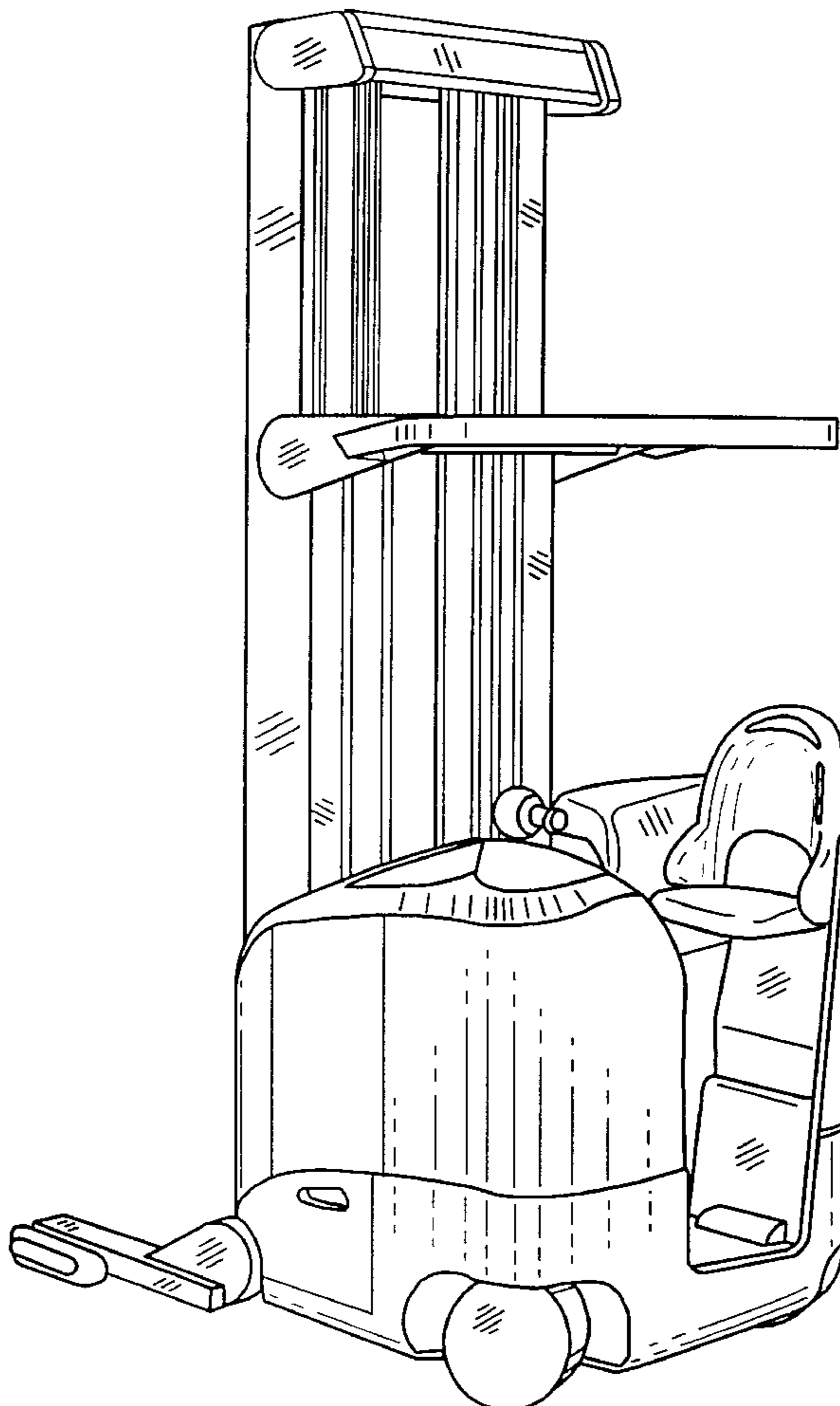


Fig. 1

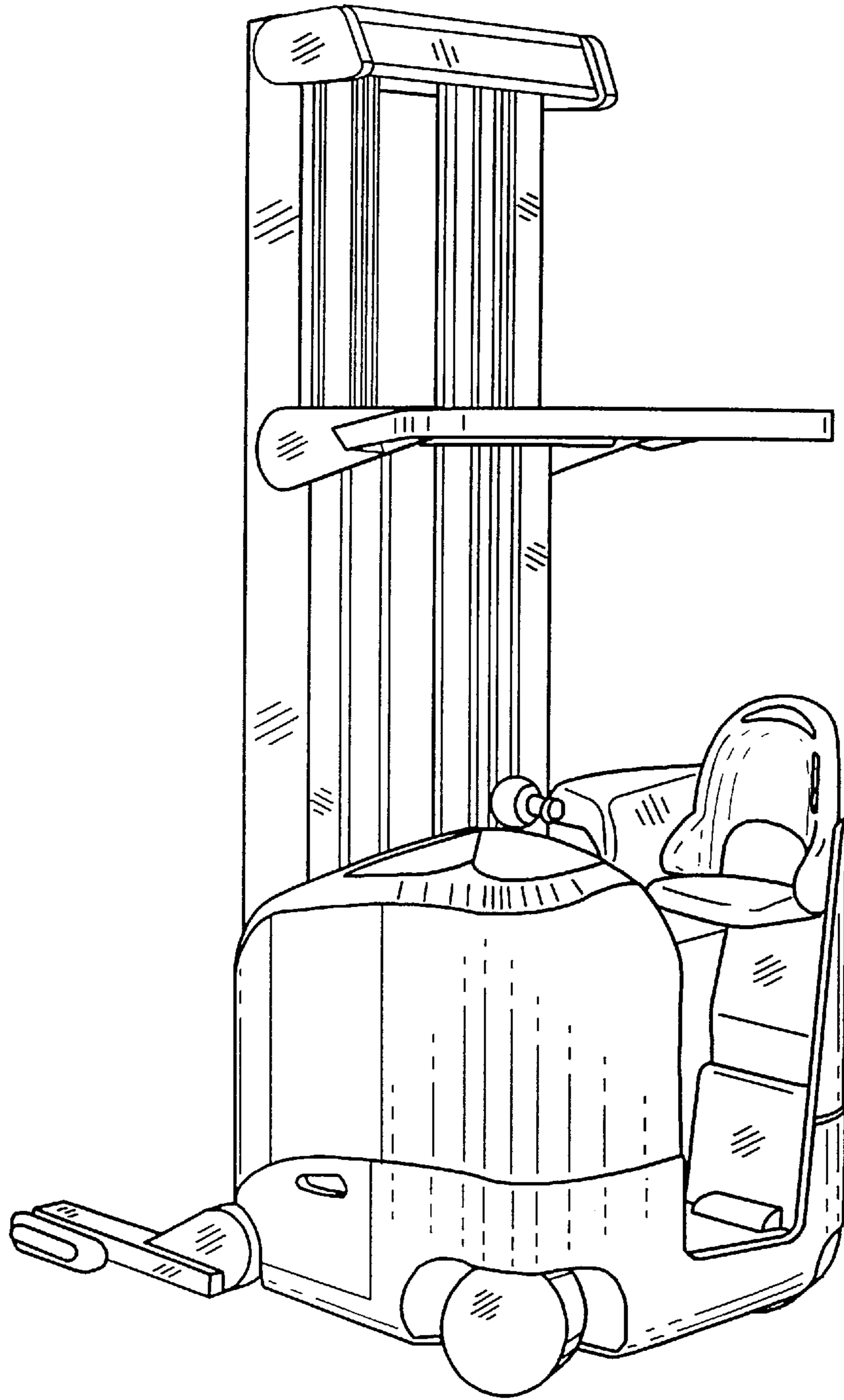


Fig. 2

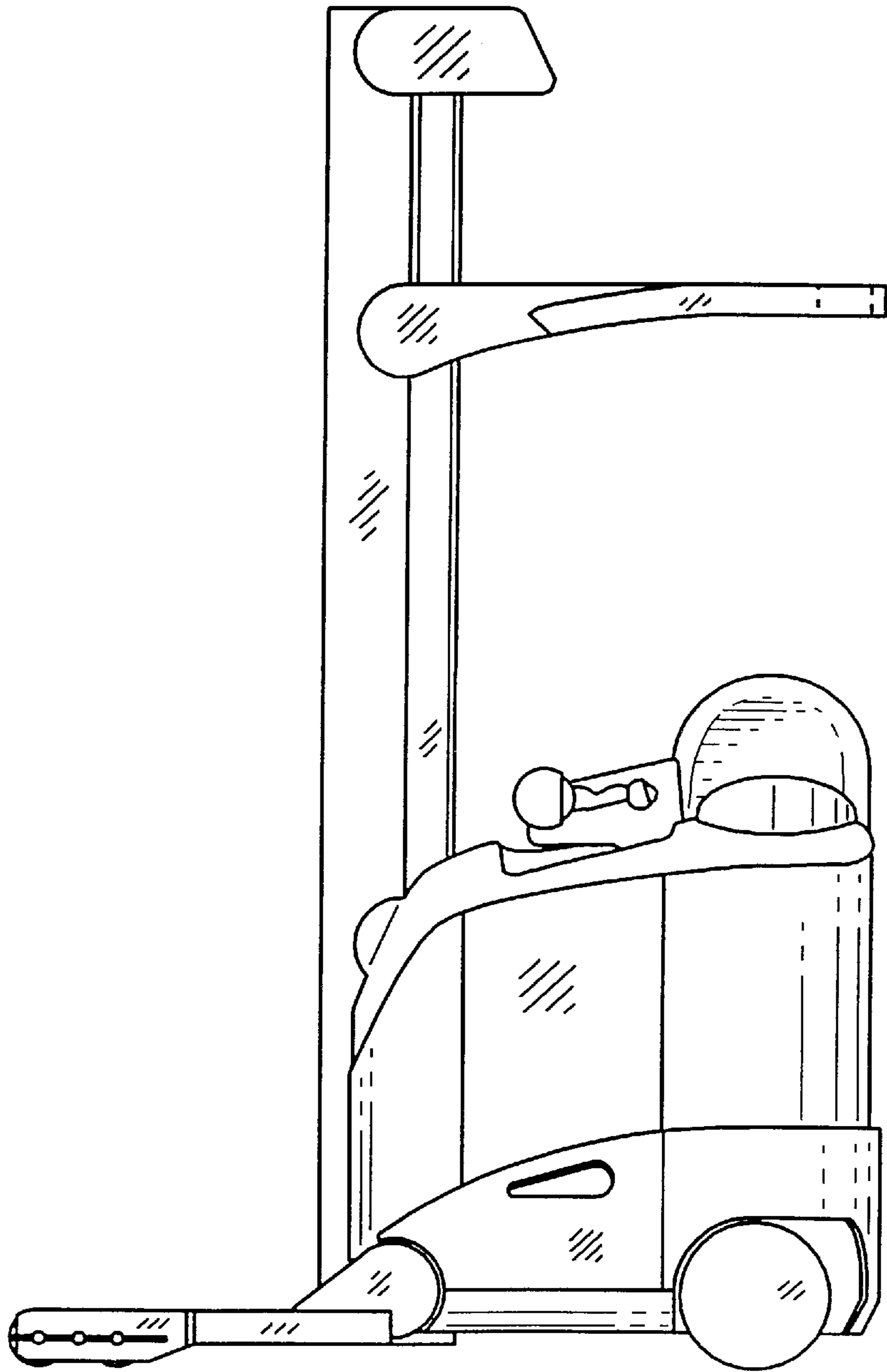


Fig. 3

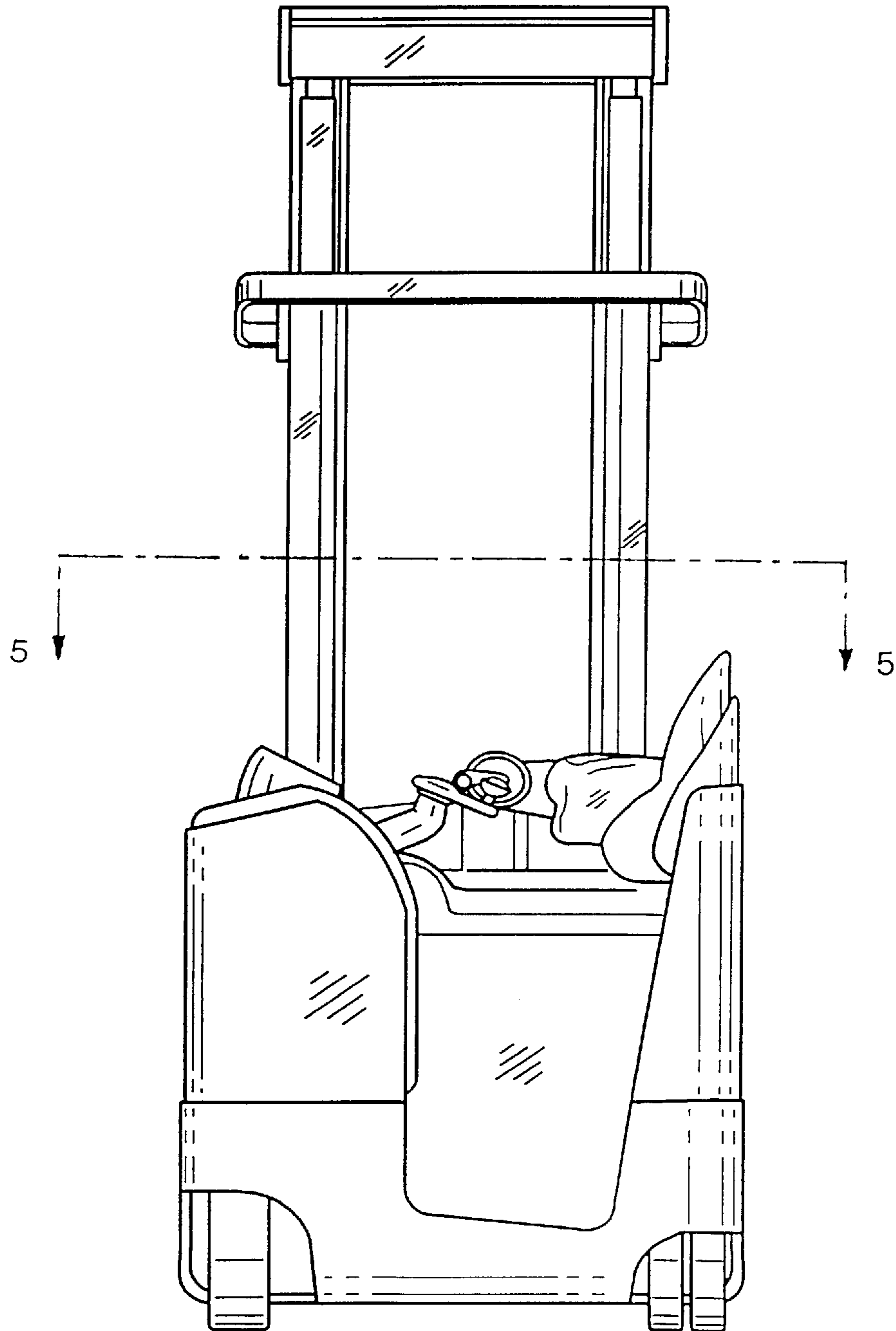


Fig. 4

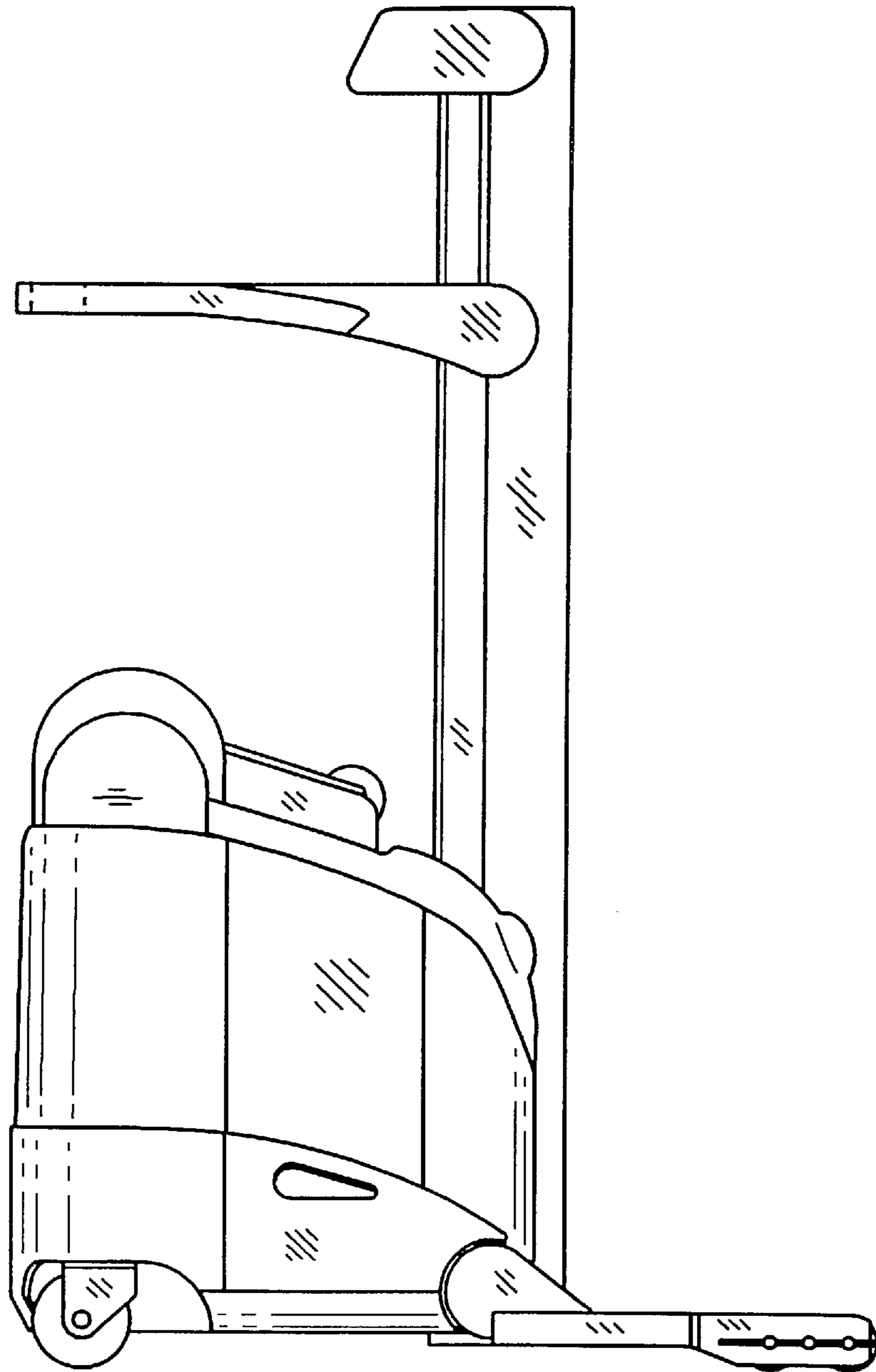


FIG. 5

