



US00D407176S

United States Patent [19]
Henshaw et al.

[11] **Patent Number: Des. 407,176**
[45] **Date of Patent: **Mar. 23, 1999**

[54] **MATERIALS HANDLING VEHICLE**

D. 327,356 6/1992 Laatsch D34/34

[75] Inventors: **Robert J. Henshaw**, New Bremen;
Philip D. Palermo, Sidney; **Steven R. Pulskamp**, New Bremen; **Donald E. Luebrecht**, Ft. Jennings; **Michael P. Gallagher**, Greenville; **Timothy S. Quellhorst**; **Allen T. Trego**, both of New Bremen, all of Ohio

Primary Examiner—Doris Clark
Attorney, Agent, or Firm—Killworth, Gottman, Hagan & Schaeff LLP

[73] Assignee: **Crown Equipment Corporation**, New Bremen, Ohio

[57] **CLAIM**
The ornamental design for a materials handling vehicle, as shown and described.

[**] Term: **14 Years**

DESCRIPTION

[21] Appl. No.: **60,041**

FIG. 1 is a perspective view of our new design, as viewed from the left rear of the vehicle;

[22] Filed: **Sep. 20, 1996**

FIG. 2 is a left side elevational view of our new design;

[51] **LOC (6) Cl.** **12-05**

FIG. 3 is a rear elevational view of our new design;

[52] **U.S. Cl.** **D34/34**

FIG. 4 is a right side elevational view of our new design; and,

[58] **Field of Search** D34/28, 34, 47;
D12/14-15, 93-94; 280/402; 180/89.12;
414/679, 81.4, 294, 680

FIG. 5 is a cross sectional view of our new design, the view taken along line 5-5 in FIG. 4.

[56] **References Cited**

U.S. PATENT DOCUMENTS

D. 234,050 1/1995 Crawford et al. D34/34

1 Claim, 5 Drawing Sheets

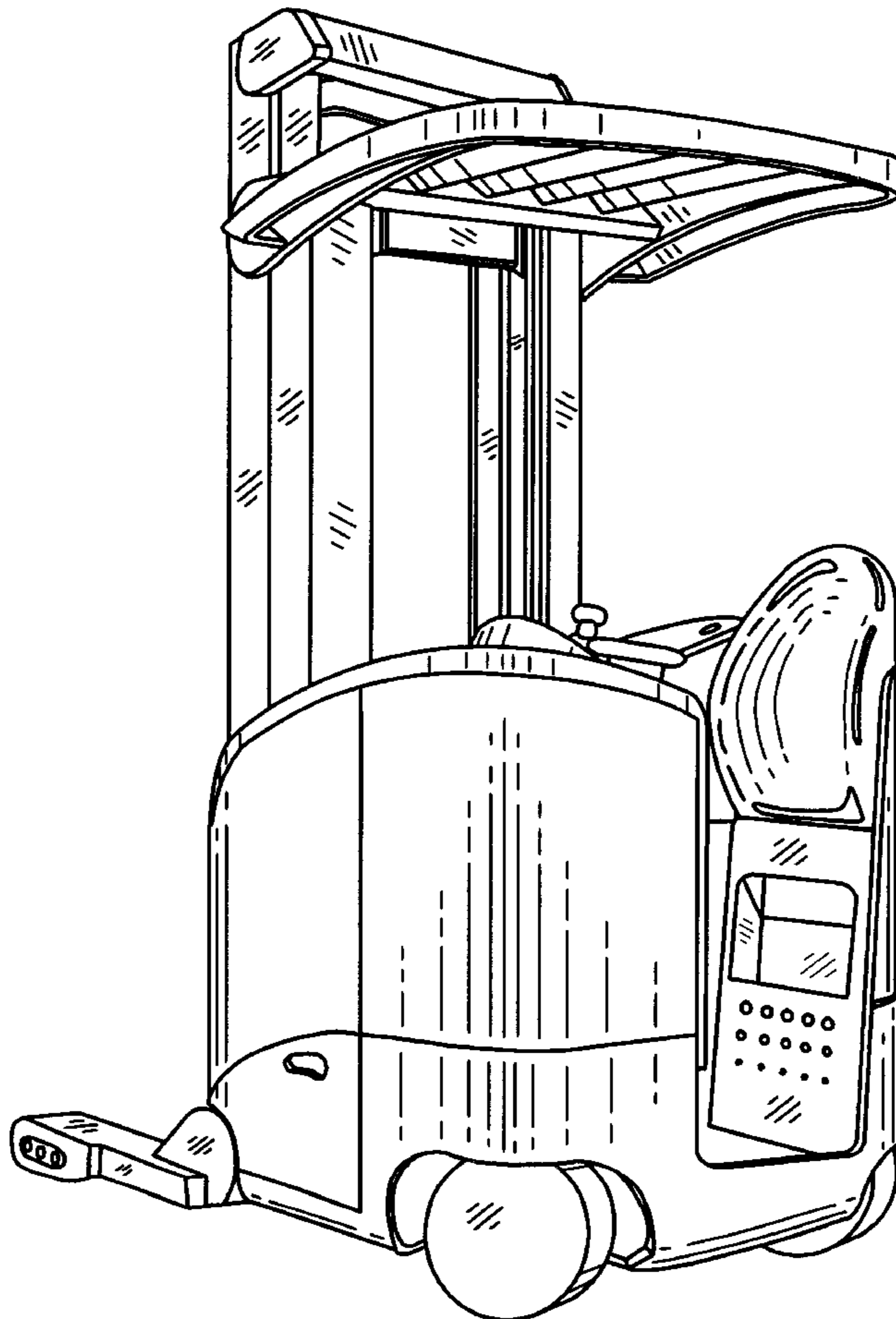


Fig. 1

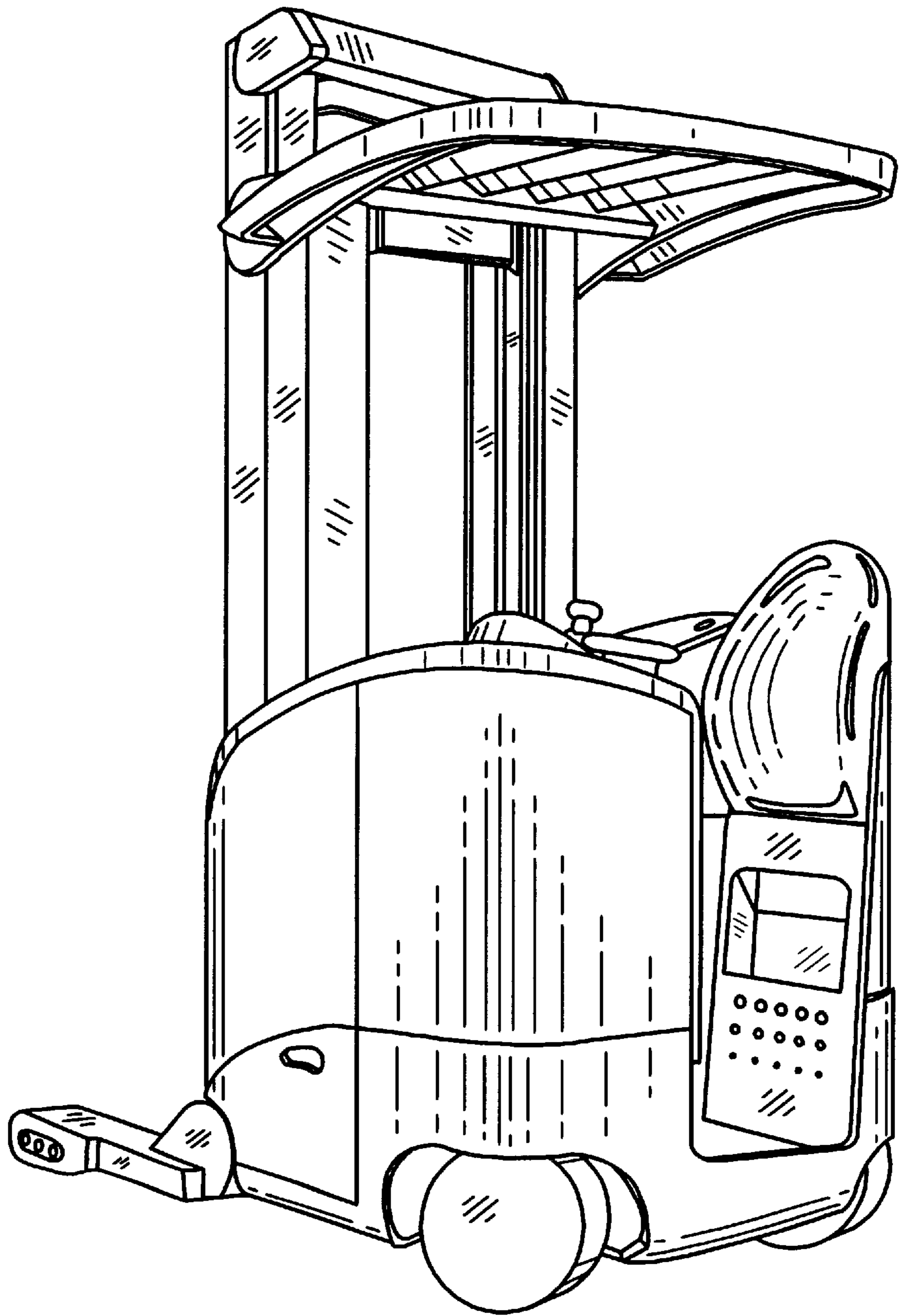


Fig. 2

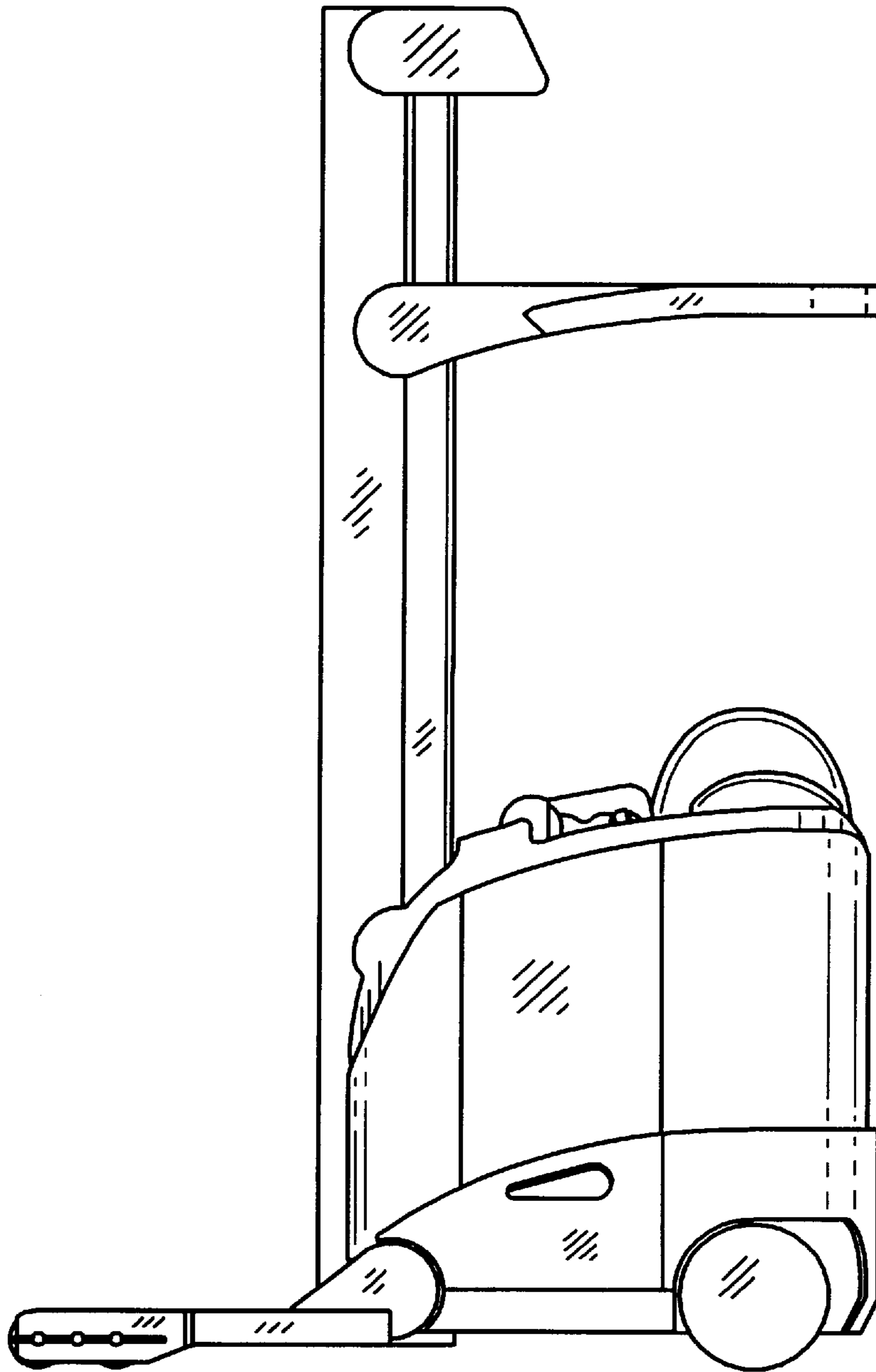


Fig. 3

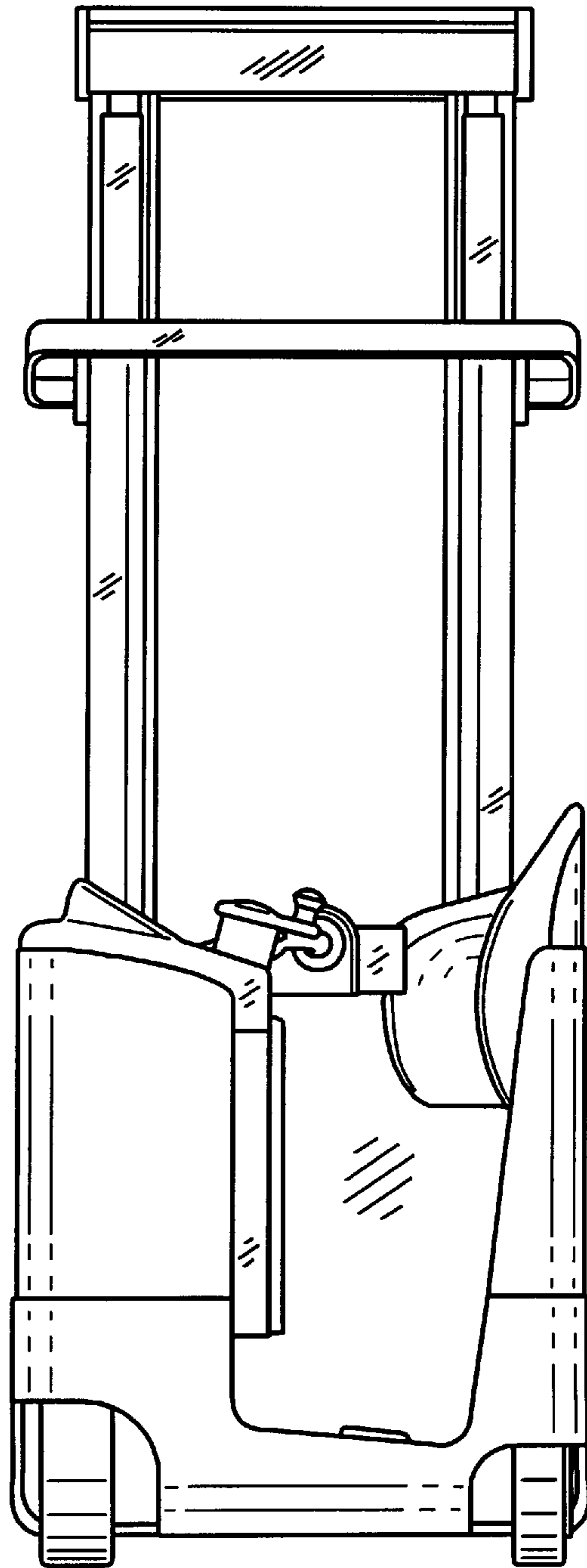


Fig. 4

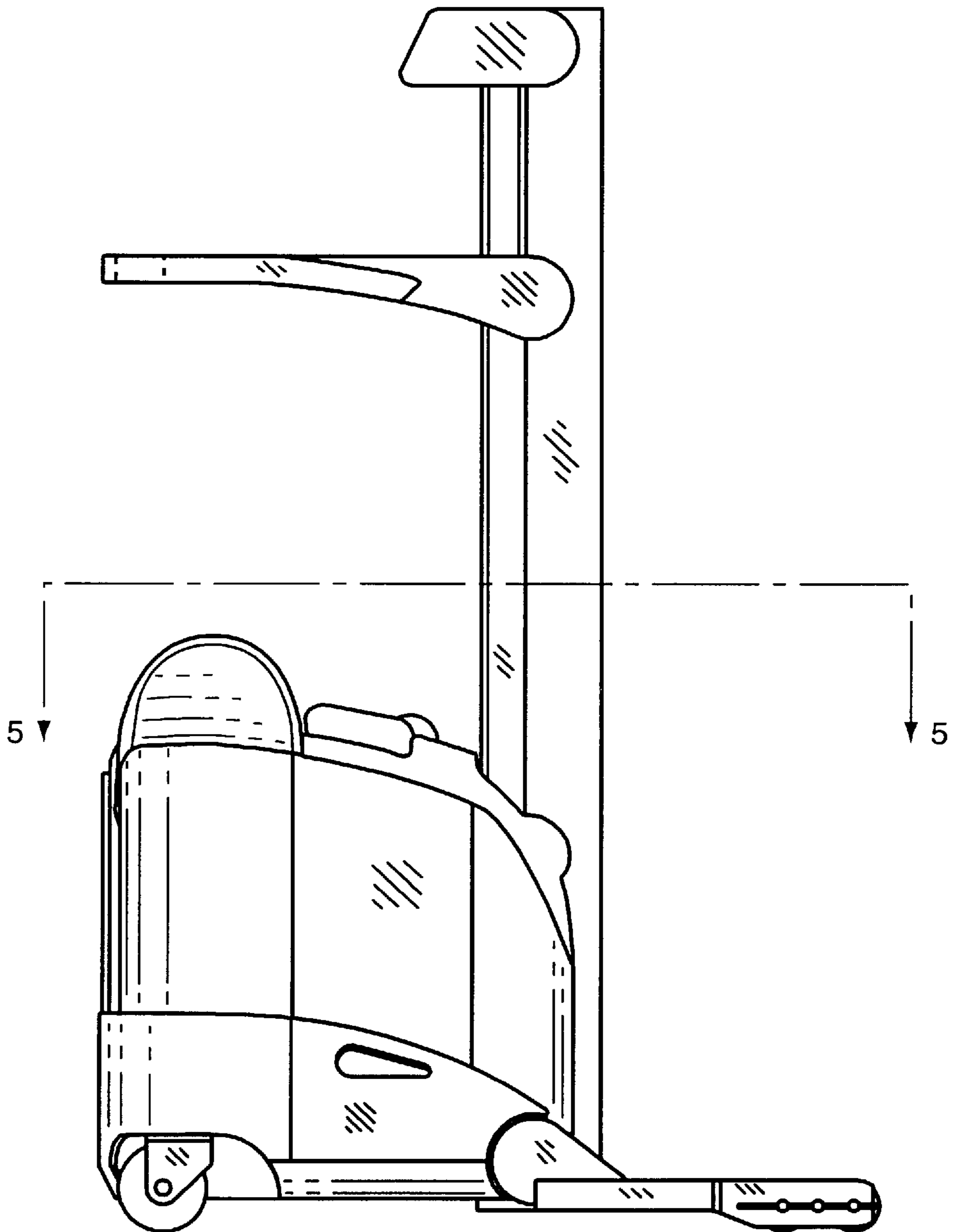


Fig. 5

