



US00D407172S

United States Patent [19]

Walz

[11] **Patent Number: Des. 407,172**

[45] **Date of Patent: **Mar. 23, 1999**

[54] **STANDING LAMP**

[76] Inventor: **Kevin R. Walz**, Via Giacinto Carini 11, 00158 Roma, Italy

[**] Term: **14 Years**

[21] Appl. No.: **82,139**

[22] Filed: **Jan. 15, 1998**

[51] **LOC (6) Cl. 26-05**

[52] **U.S. Cl. D26/63; D26/107**

[58] **Field of Search D26/60-66, 93, D26/102-112, 118, 135, 101, 127; 362/269, 275, 287, 288, 410-414, 418, 419, 427, 349, 341, 356**

[56] **References Cited**

U.S. PATENT DOCUMENTS

1,996,584 4/1935 Mateuszczyk 362/341

OTHER PUBLICATIONS

Home Lighting and Accessories, p. 53, Koch "Lampette" desk lamp rectangular shade, Jan. 1965.

Koch+Lowy Inc. catalog p. 28A, floor lamp, left, Aug. 1979.

Washington Post, p. A16, table and floor lamps, Oct. 1969.

Primary Examiner—Susan J. Lucas

Attorney, Agent, or Firm—Gottlieb, Rackman & Reisman, P.C.

[57] **CLAIM**

The ornamental design for a standing lamp, as shown and described.

DESCRIPTION

FIG. 1 is a top, front, and right side perspective view of the standing lamp;

FIG. 2 is a top plan view thereof;

FIG. 3 is a front elevational view thereof;

FIG. 4 is a left side elevational view, the right side view being a mirror image thereof;

FIG. 5 is a rear elevational view thereof;

FIG. 6 is a bottom plan view thereof; and,

FIG. 7 is a top, front, and right side perspective view of a second embodiment of the standing lamp, it being understood that the two embodiments differ only in height.

1 Claim, 3 Drawing Sheets

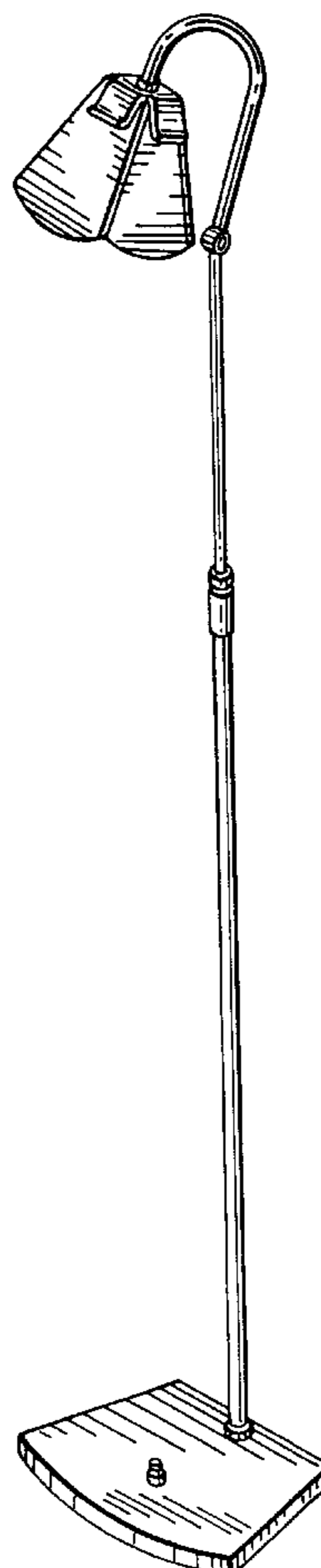
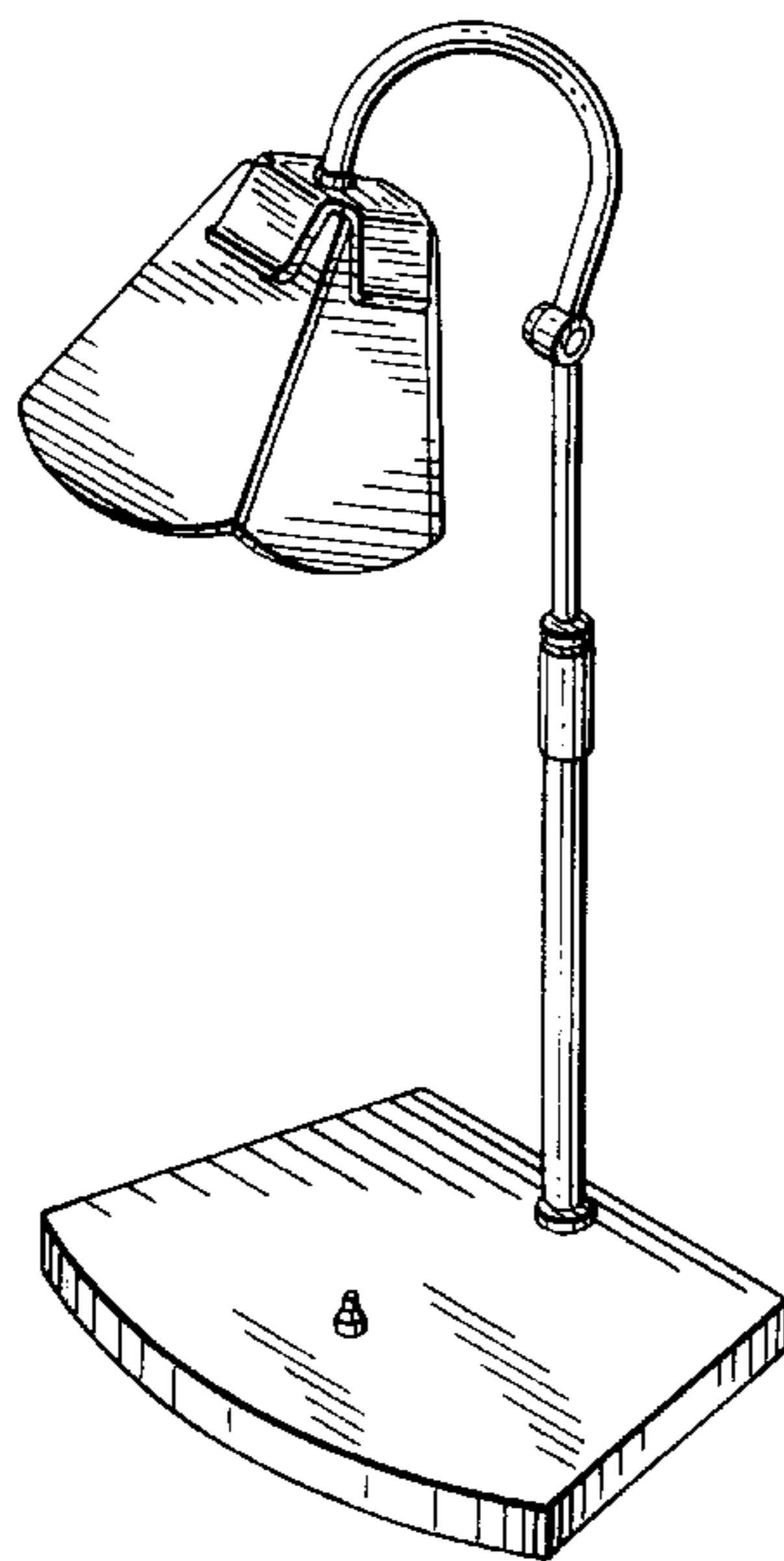


FIG. 1

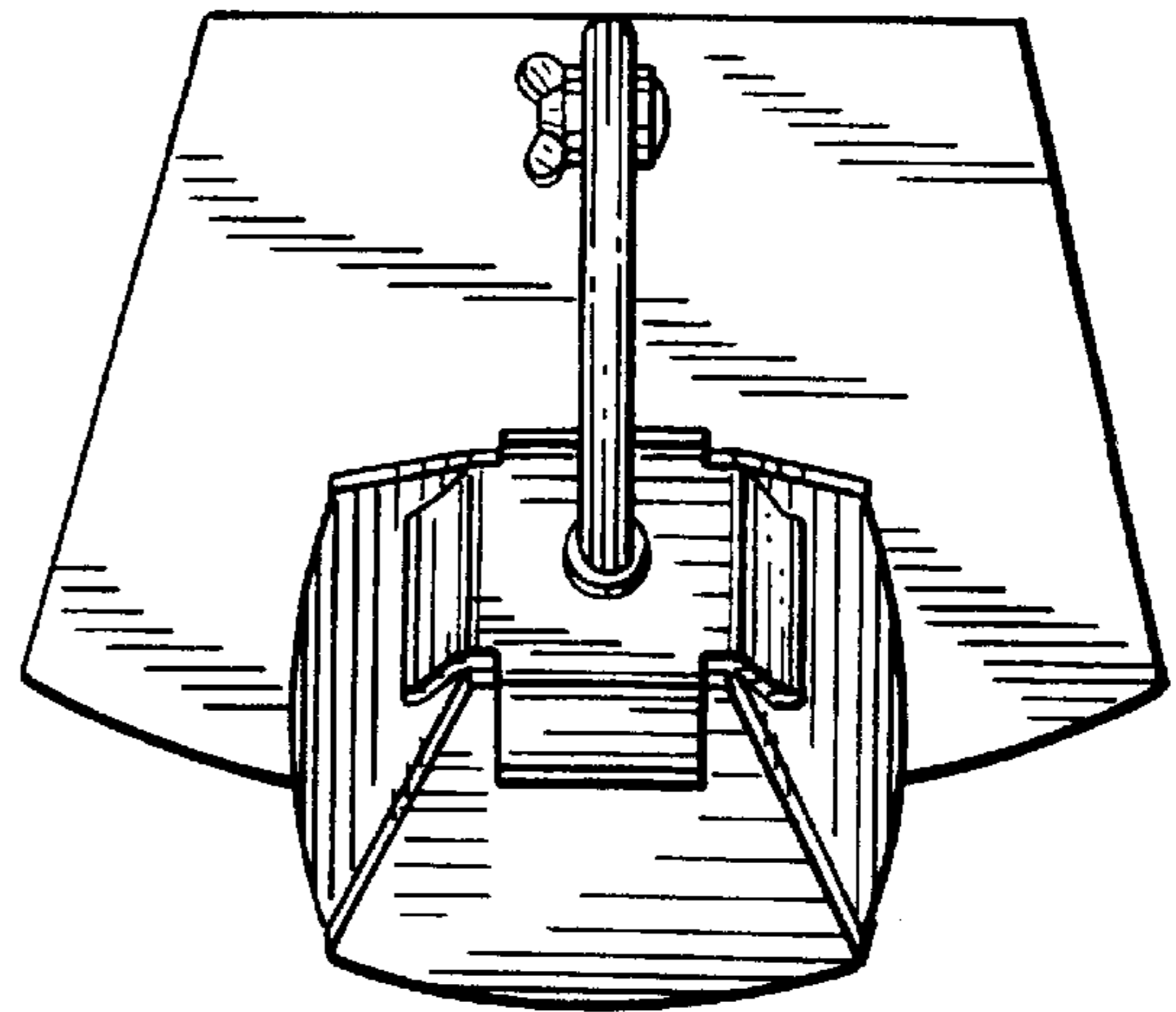
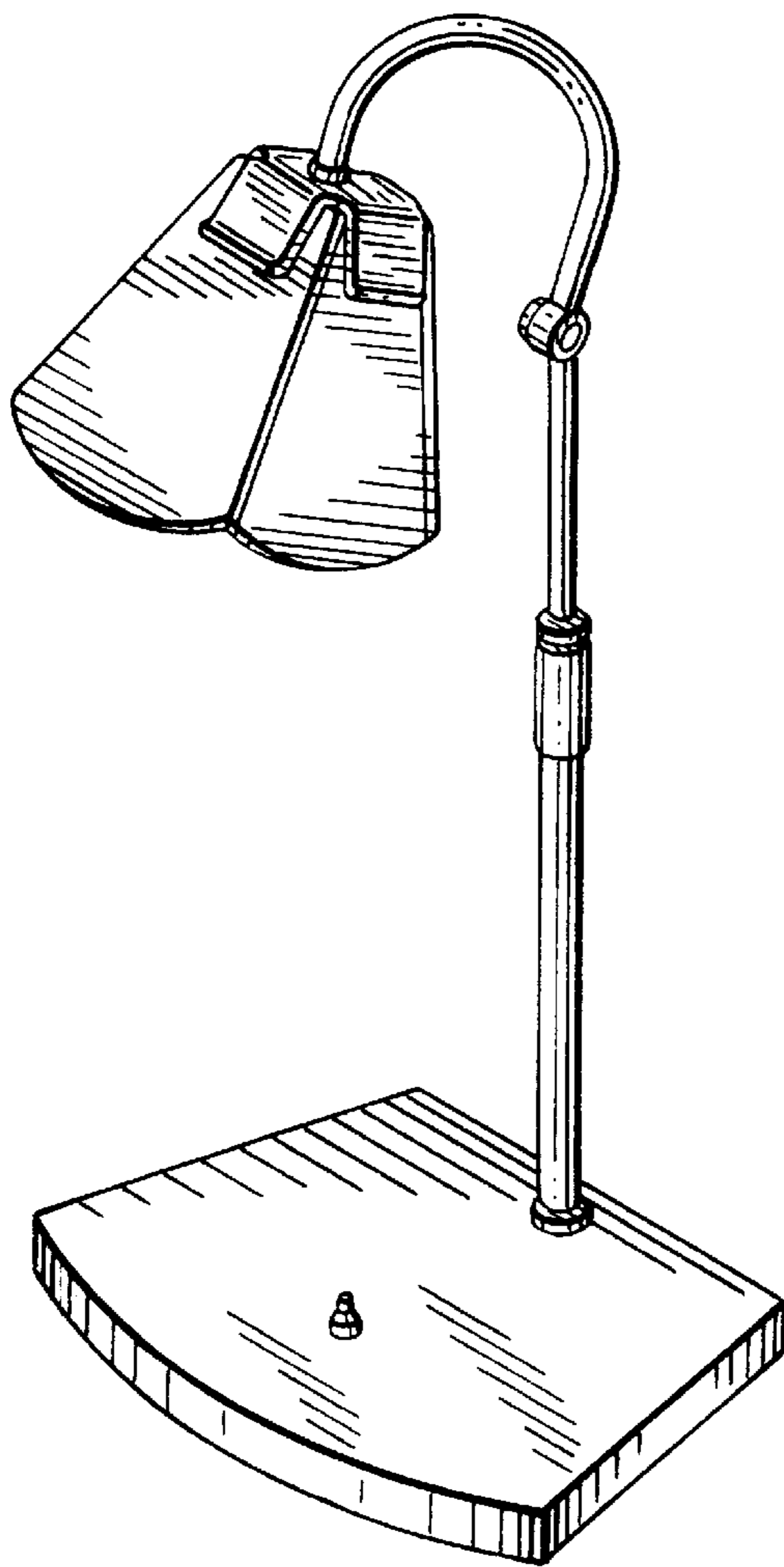


FIG. 2

FIG. 3

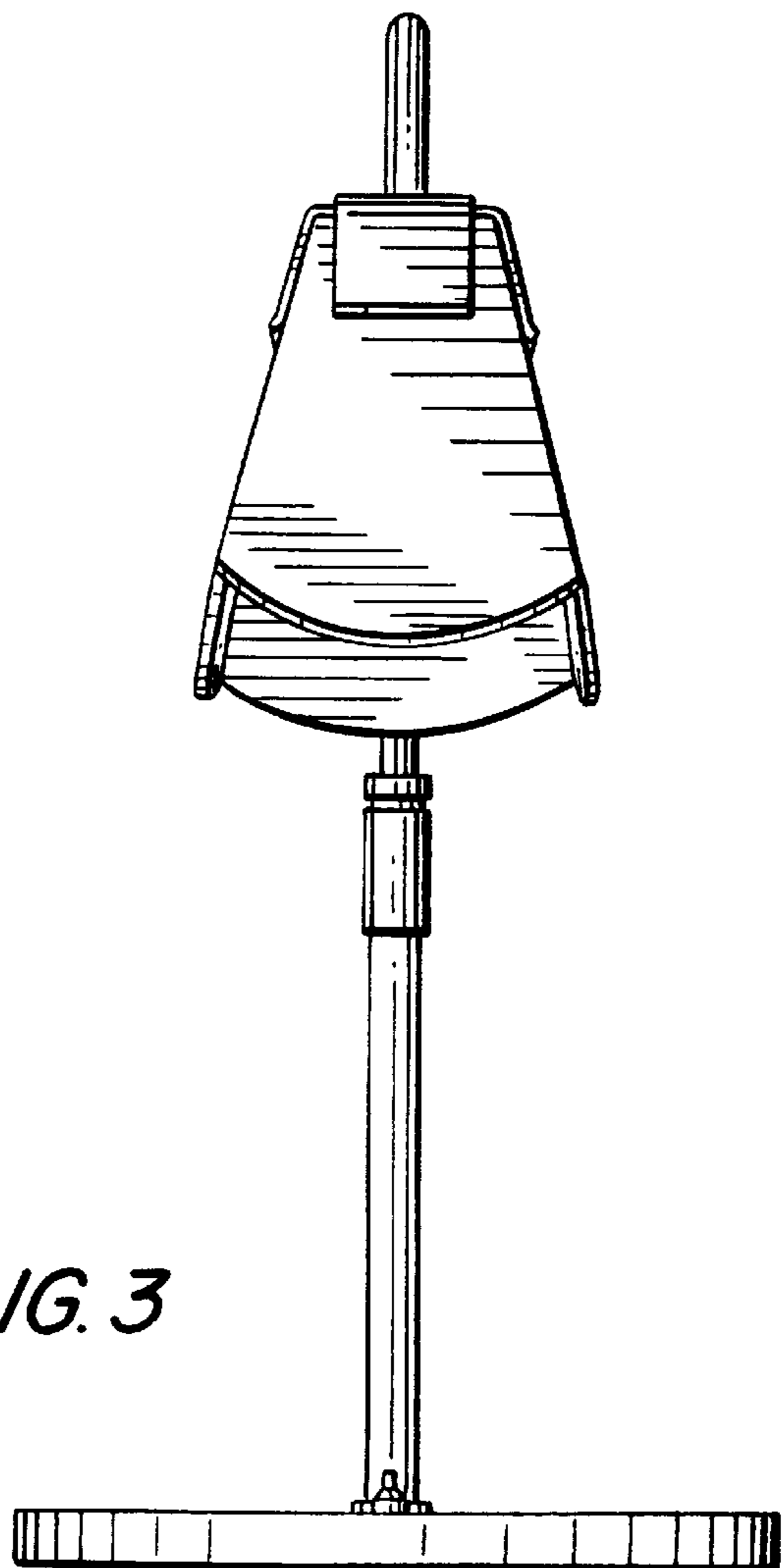


FIG. 4

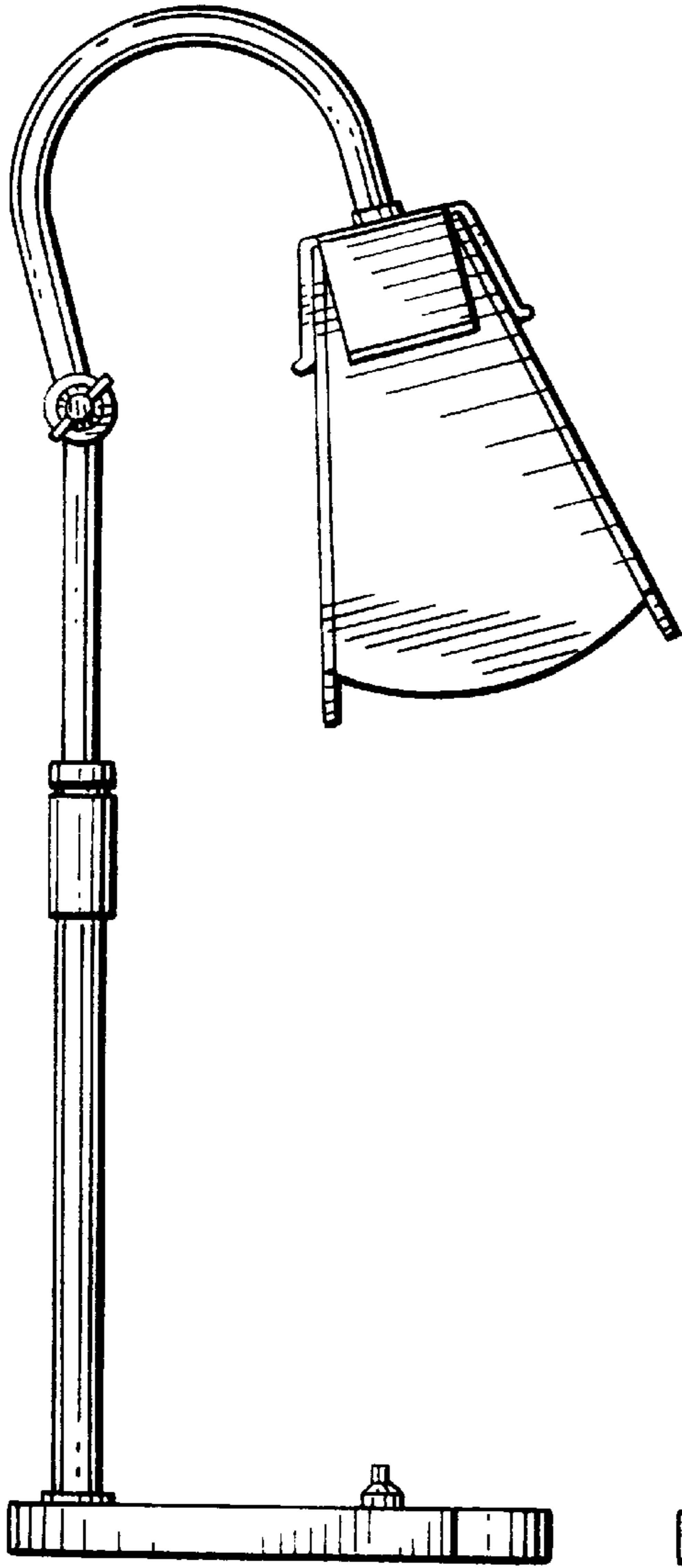


FIG. 5

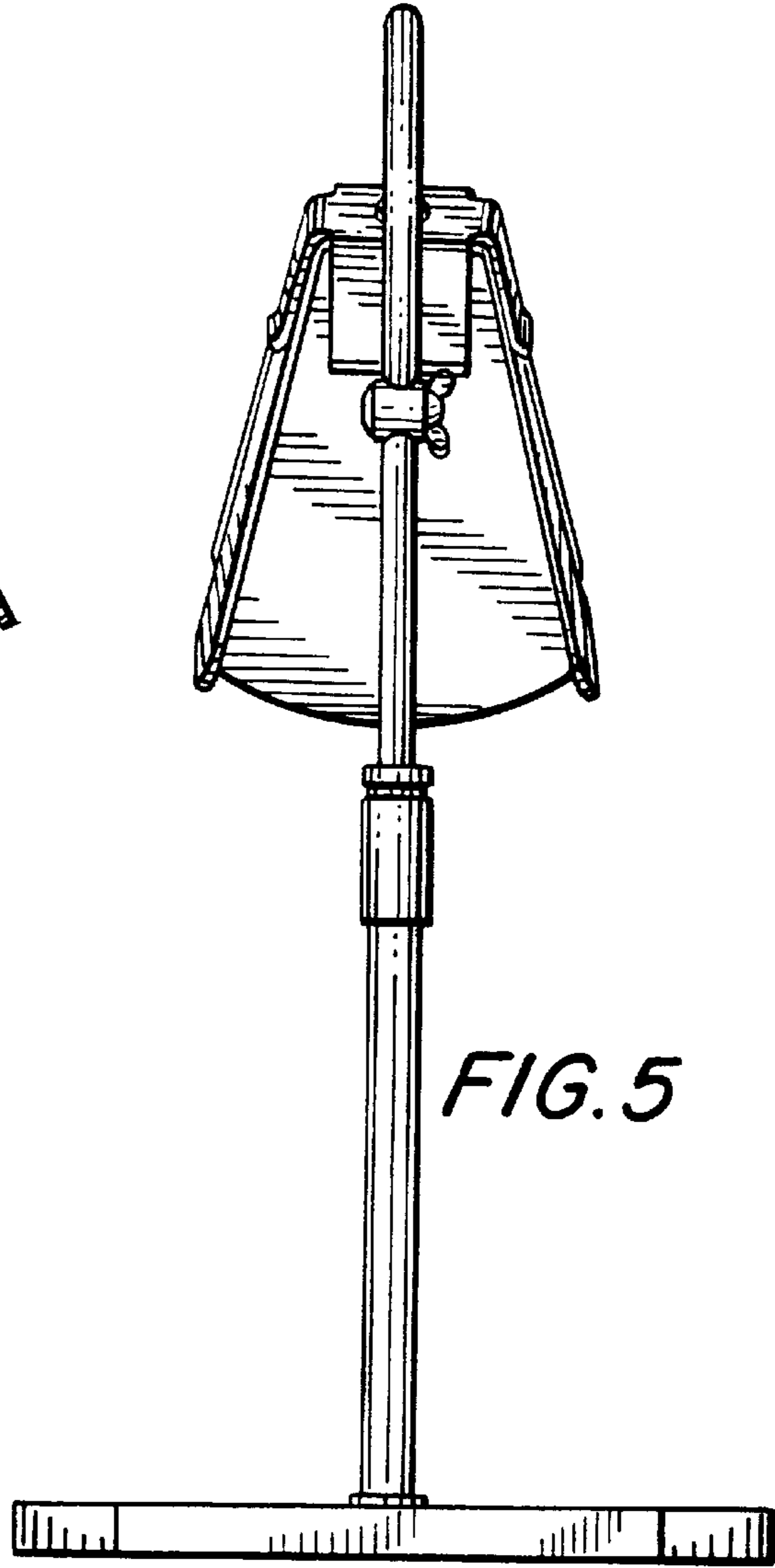
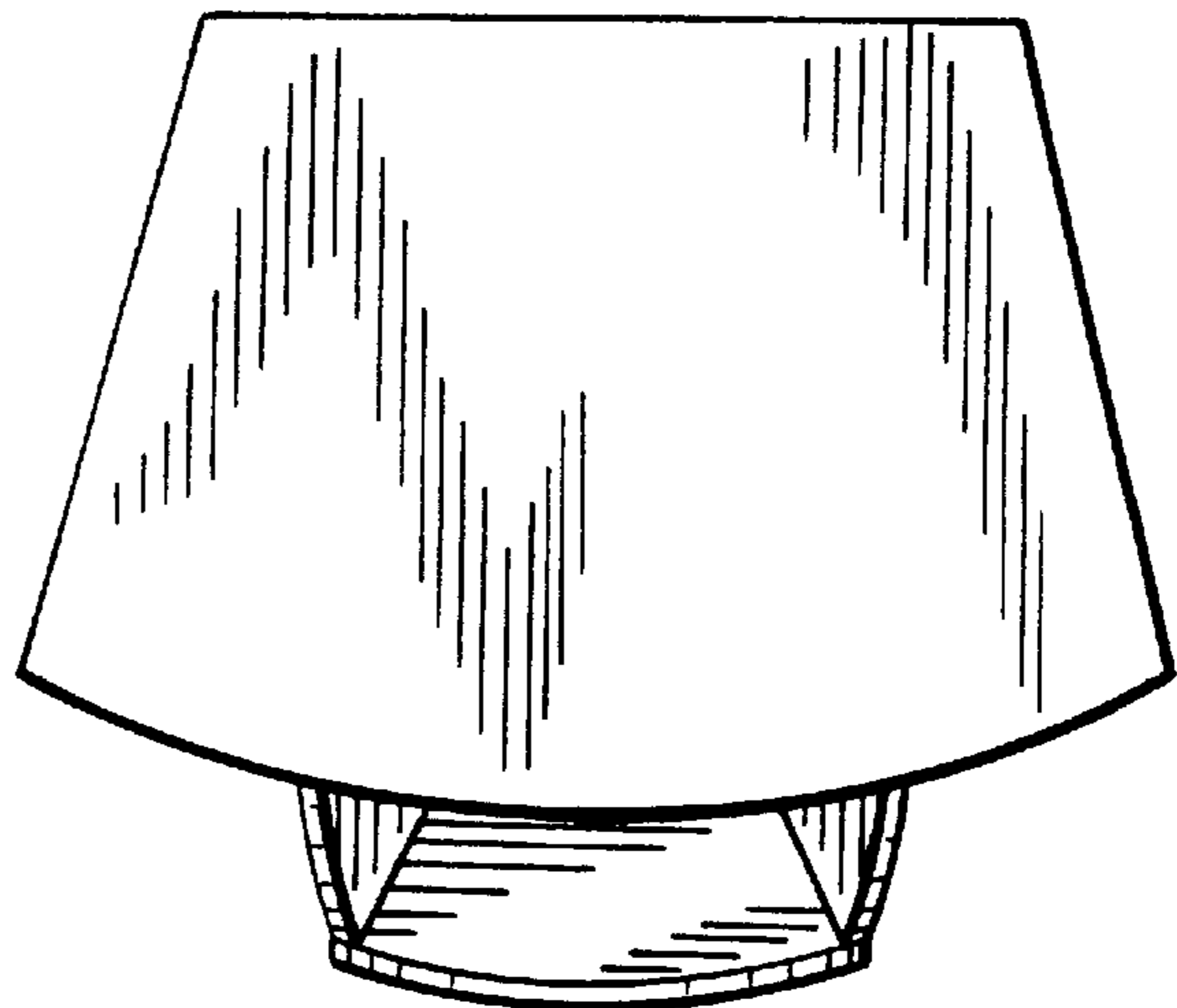


FIG. 6



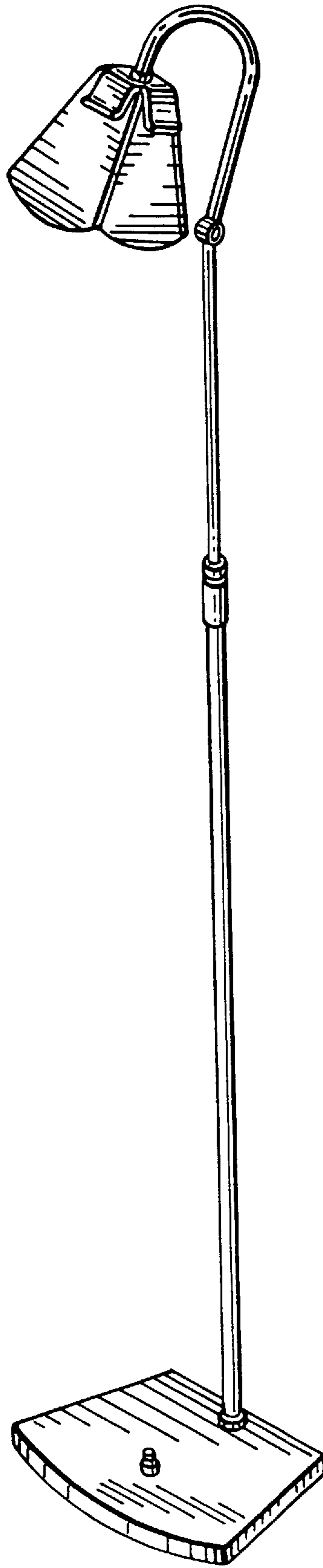


FIG. 7