



US00D407161S

United States Patent [19]

Daugherty et al.

[11] Patent Number: Des. 407,161

[45] Date of Patent: **Mar. 23, 1999

[54] **COMBINED FLANGED SUPPORT POST INTERFACING WITH SIDE PANEL INSERT**

[75] Inventors: **Jonathan M. Daugherty**, Wilkes-Barre; **Kenneth A. Stevens**, Harleysville, both of Pa.

[73] Assignee: **Metro Industries, Inc.**, Reno, Nev.

[**] Term: **14 Years**

[21] Appl. No.: **38,185**

[22] Filed: **Apr. 28, 1995**

[51] **LOC (6) Cl.** **25-01**

[52] **U.S. Cl.** **D25/128**

[58] **Field of Search** D25/126, 128, D25/131, 132; 52/280, 282.2, 282.3, 732.2; 312/265.1, 265.2, 265.3, 265.4, 265.5, 265.6, 249.8, 249.11, 295.2; 108/50, 153, 180, 182, 186, 193, 144; 248/245.1; 211/183, 191; 403/252

[56] **References Cited**

U.S. PATENT DOCUMENTS

D. 361,631	8/1995	King	D25/128
3,186,561	6/1965	Strässle	52/282.2
3,462,110	8/1969	Cheslock	248/221
3,486,287	12/1969	Guillon	D25/128
3,523,508	8/1970	Maslow	108/144
3,896,743	7/1975	Pariante	108/111
4,142,343	3/1979	Trafton	52/721
4,163,537	8/1979	Mourgue	248/188.1
4,805,365	2/1989	Bastian	52/282.2
4,981,002	1/1991	Cederholm	52/282.2
5,003,741	4/1991	Yeh	52/280
5,291,708	3/1994	Johnson	52/282.2

FOREIGN PATENT DOCUMENTS

1130359 8/1982 Canada .

0226496	6/1987	European Pat. Off. .
0592825	4/1994	European Pat. Off. .
2531121	2/1984	France .
1490768	6/1969	Germany .
2436439	2/1976	Germany .
3331173	3/1985	Germany .
3405862	8/1985	Germany .
2061092	5/1981	United Kingdom .
2156206	10/1985	United Kingdom .
WO8300804	3/1983	WIPO .

Primary Examiner—Doris Clark
Attorney, Agent, or Firm—Fitzpatrick, Cella, Harper & Scinto

[57] **CLAIM**

The ornamental design for a combined flanged support post interfacing with side panel insert, as shown and described.

DESCRIPTION

FIG. 1 is an enlarged fragmentary perspective view of a combined flanged support post interfacing with a side panel insert taken from the front in accordance with the present invention;

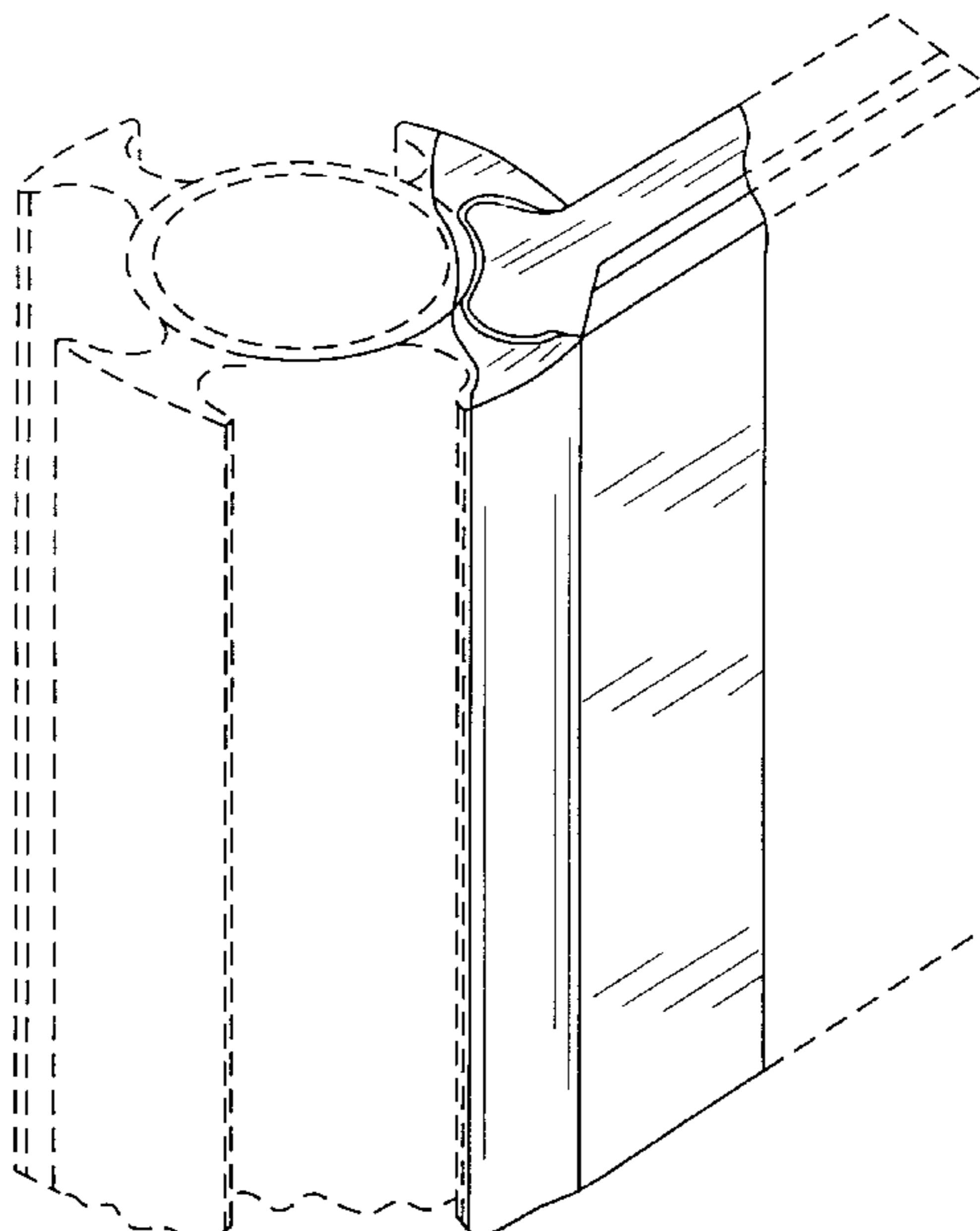
FIG. 2 is an enlarged fragmentary top plan view of the combined flanged support post and side panel insert of FIG. 1, with the bottom plan view being a mirror image thereof; FIG. 3 is an enlarged fragmentary front elevational view of the combined flanged support post and side panel insert of FIG. 1;

FIG. 4 is an enlarged fragmentary back elevational view of the combined flanged support post and side panel insert taken from the rear of FIG. 1; and,

FIG. 5 is an enlarged fragmentary left side elevational view of the combined flanged support post and side panel insert taken from the left side of FIG. 1.

The configuration of the claimed design is constant throughout the length of the design.

1 Claim, 2 Drawing Sheets



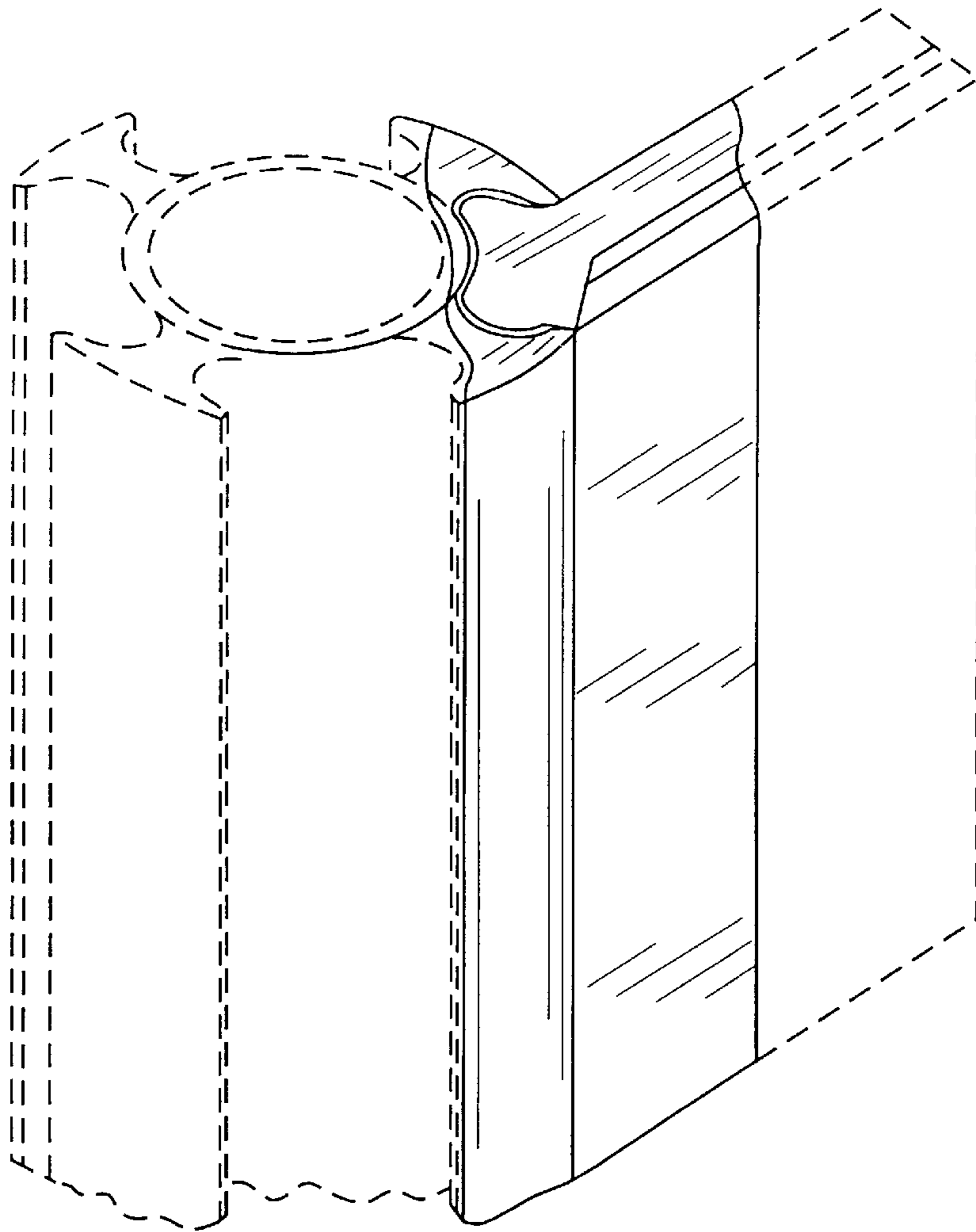


FIG. 1

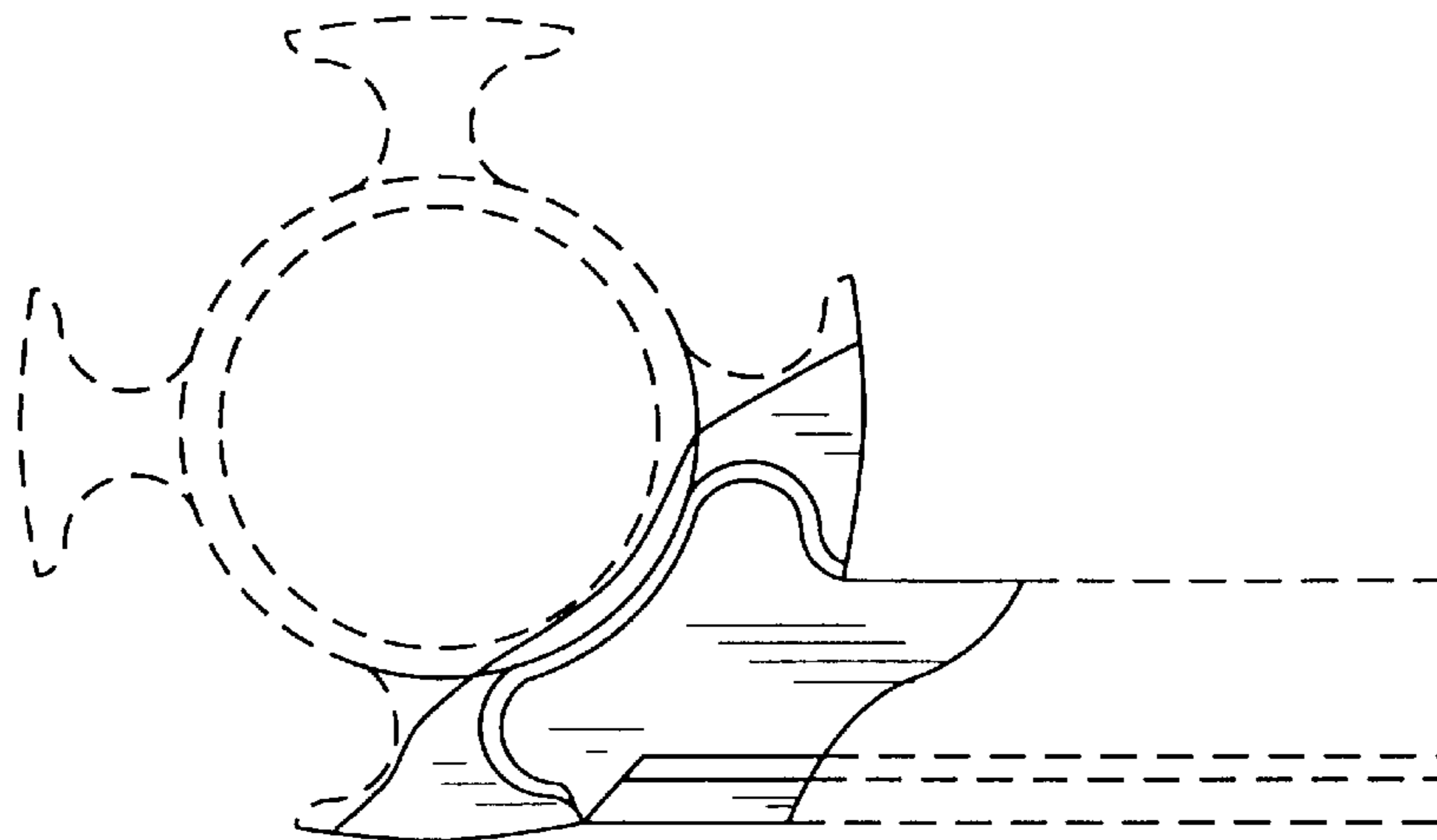


FIG. 2

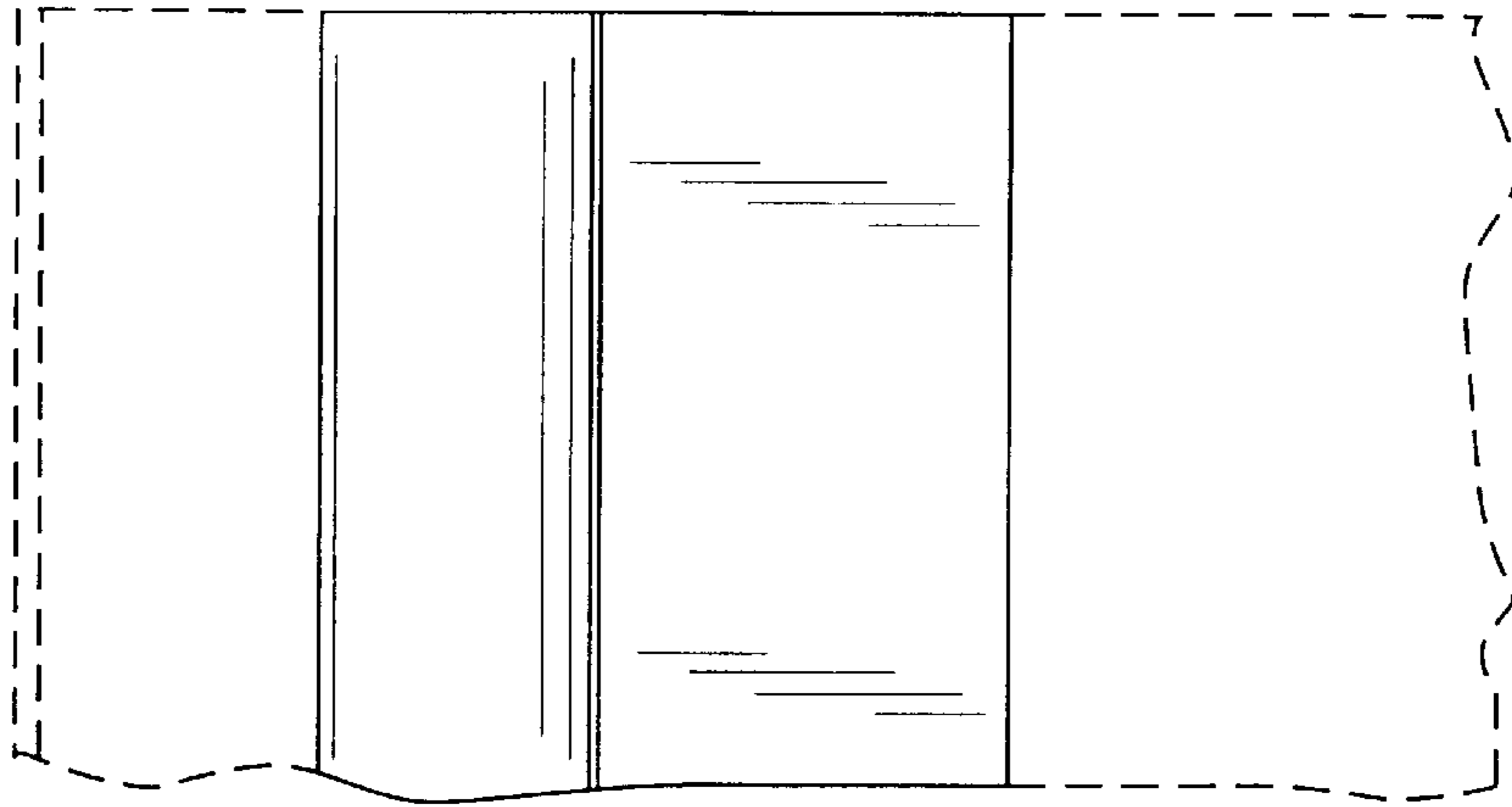


FIG. 3

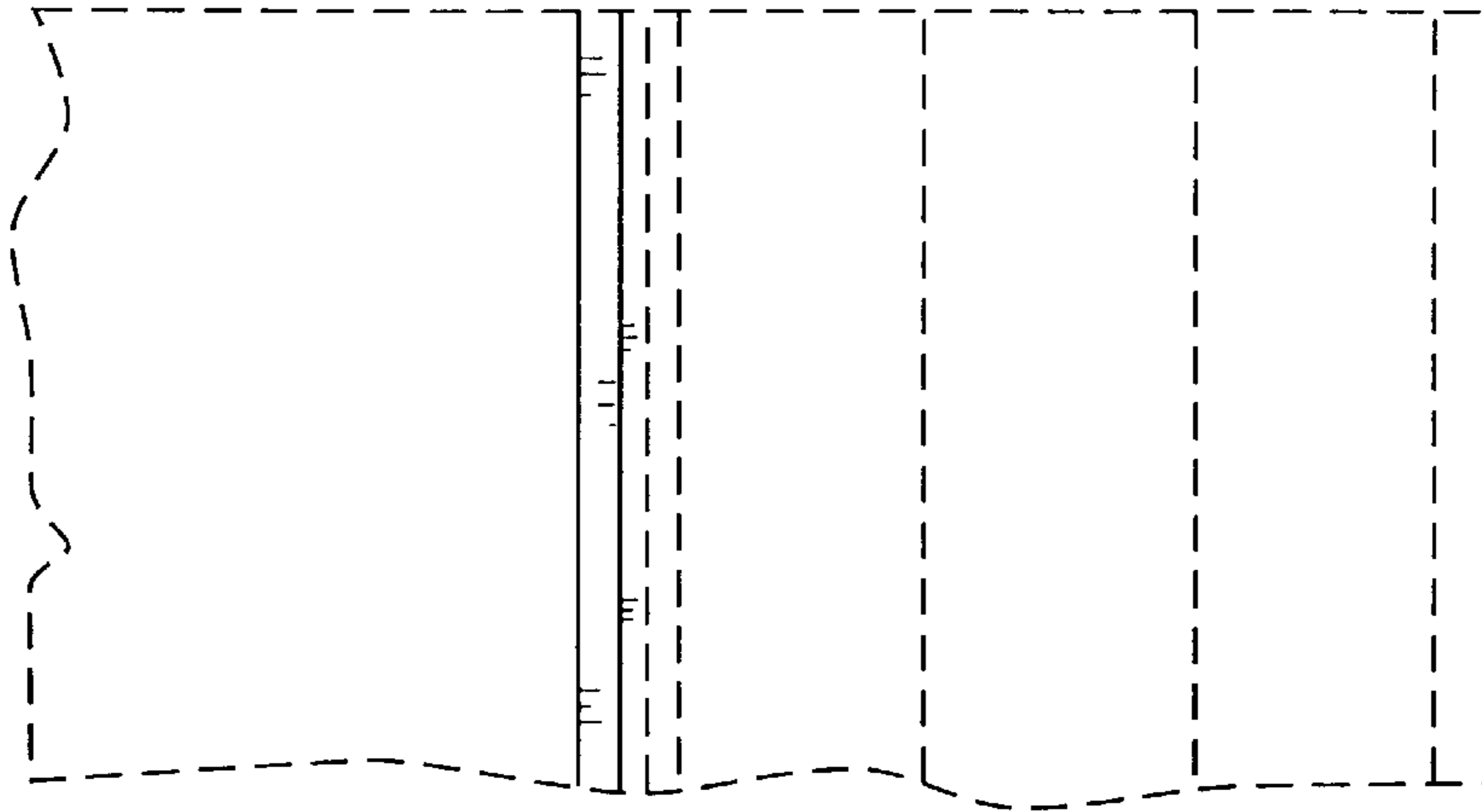


FIG. 4

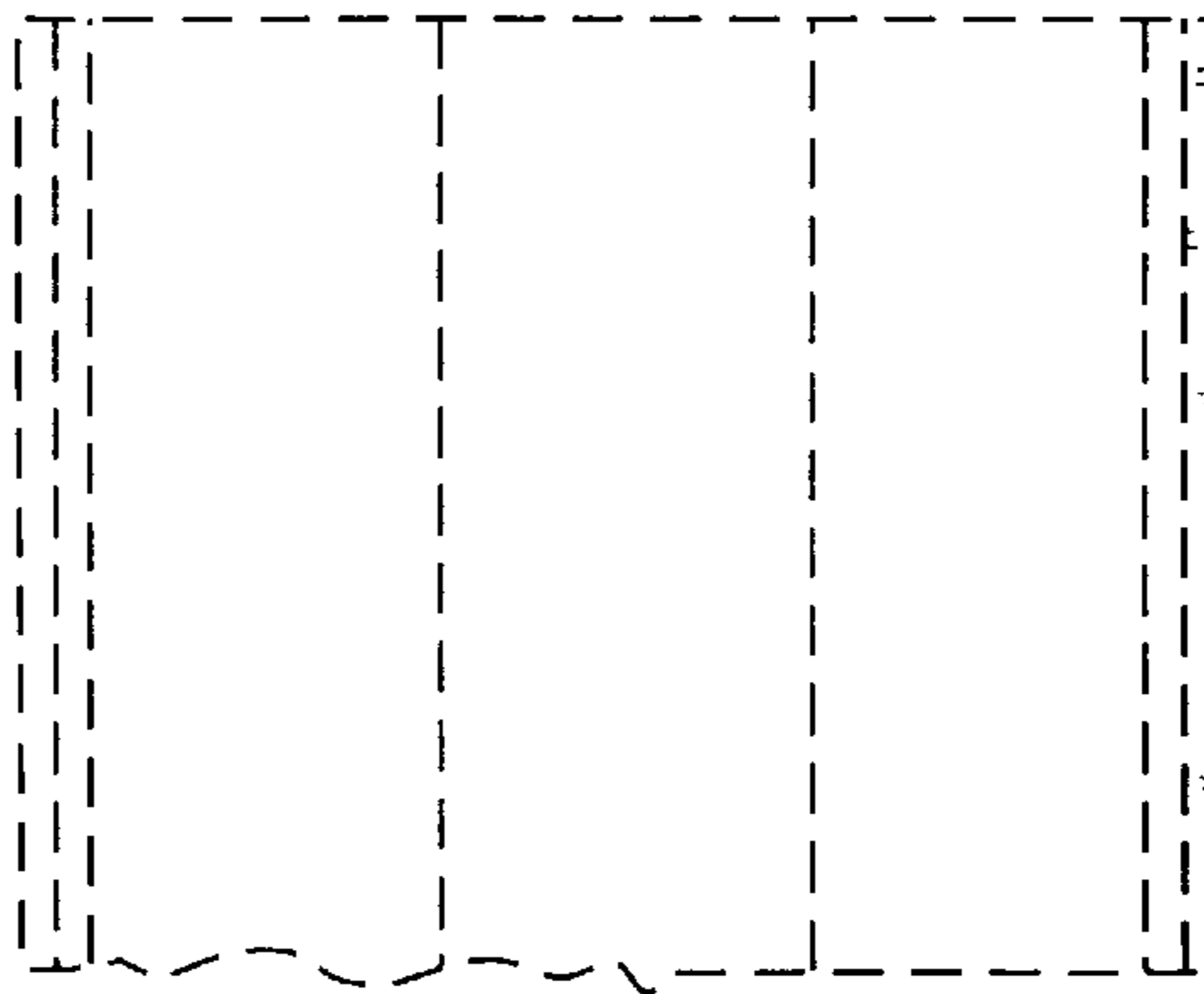


FIG. 5