



US00D407158S

**United States Patent** [19]  
**Rubinstein**

[11] **Patent Number: Des. 407,158**

[45] **Date of Patent: \*\*Mar. 23, 1999**

[54] **HOLDER FOR DENTAL X-RAY FILM**

[76] Inventor: **Alan I. Rubinstein**, 100 S. Doheny Dr.  
#301, Los Angeles, Calif. 90048

[\*\*] Term: **14 Years**

[21] Appl. No.: **68,245**

[22] Filed: **Mar. 20, 1997**

[51] **LOC (6) Cl.** ..... **24-01**

[52] **U.S. Cl.** ..... **D24/161**

[58] **Field of Search** ..... D24/161, 156;  
378/168, 169, 170, 171, 182, 184, 185

[56] **References Cited**

**U.S. PATENT DOCUMENTS**

D. 378,951	4/1997	Youngblood	.....	D24/161 X
3,444,371	5/1969	Via, Jr.	.....	378/168
3,936,643	2/1976	Toner	.....	378/168
5,422,927	6/1995	Schmitz	.....	378/170

*Primary Examiner*—Stella Reid  
*Attorney, Agent, or Firm*—Oppenheimer Wolff & Donnelly

[57] **CLAIM**

The ornamental design for a holder for dental x-ray film, as shown.

**DESCRIPTION**

FIG. 1 is a perspective view of a holder for dental x-ray film, showing my new design;

FIG. 2 is a top plan view;

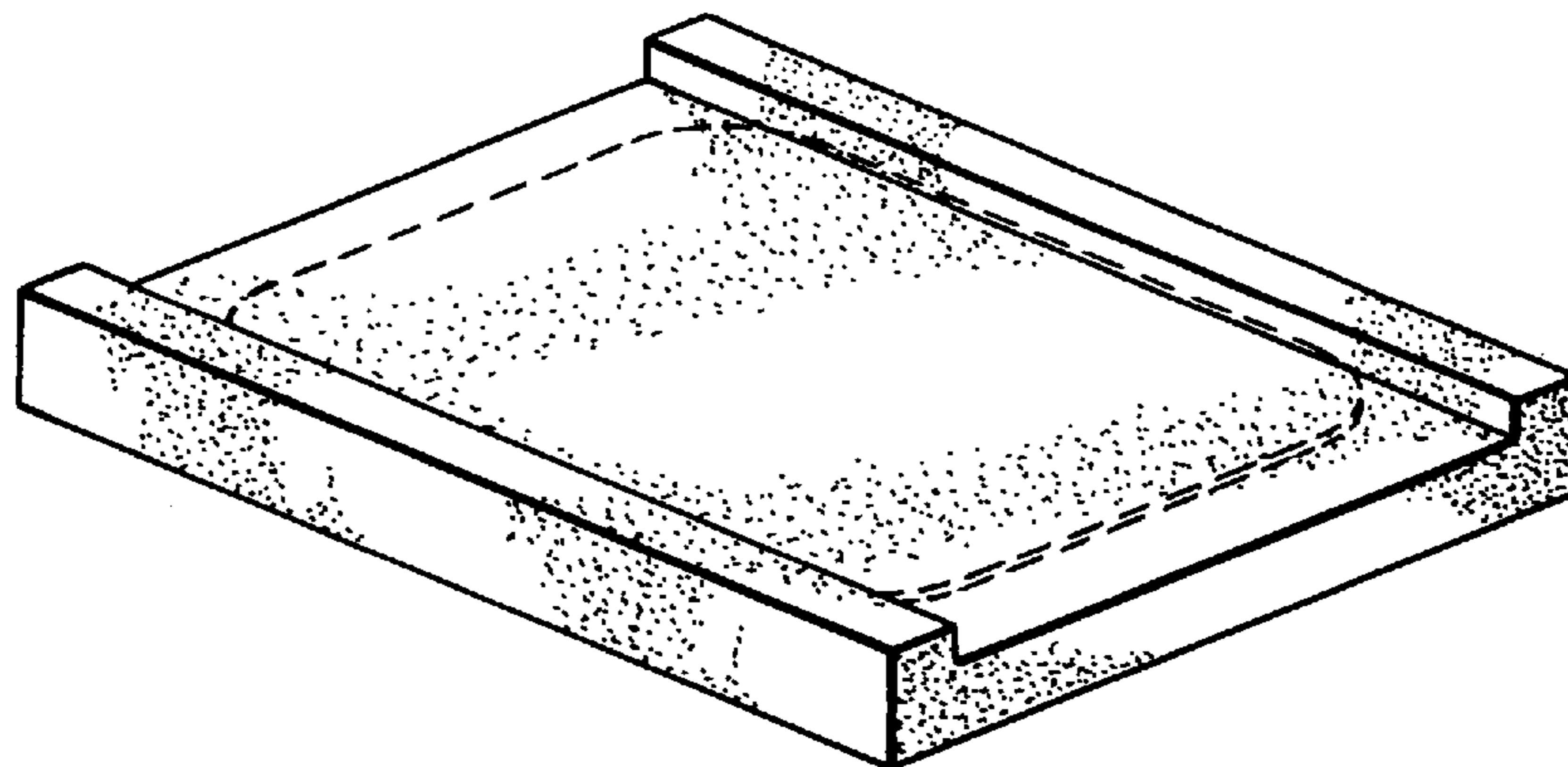
FIG. 3 is a front elevation view, the rear elevation view being identical;

FIG. 4 is a side elevation view, the opposite side view being identical; and,

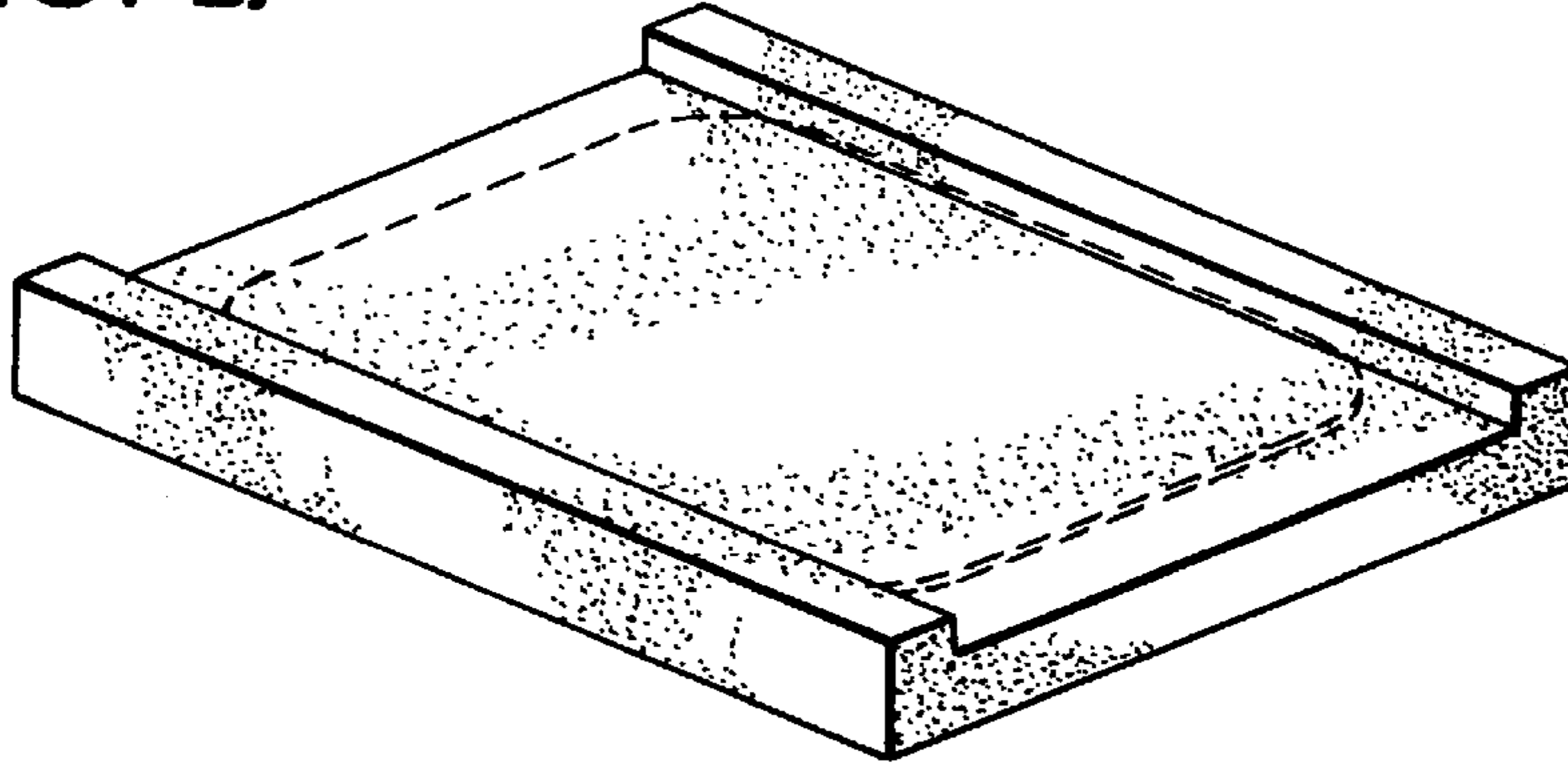
FIG. 5 is a bottom plan view.

The broken line showing in FIGS. 1-3 is for illustrative purposes only and forms no part of the claimed design.

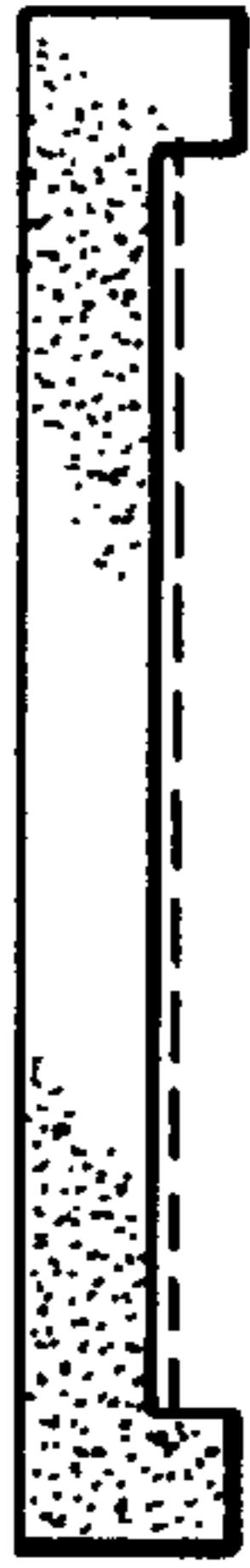
**1 Claim, 1 Drawing Sheet**



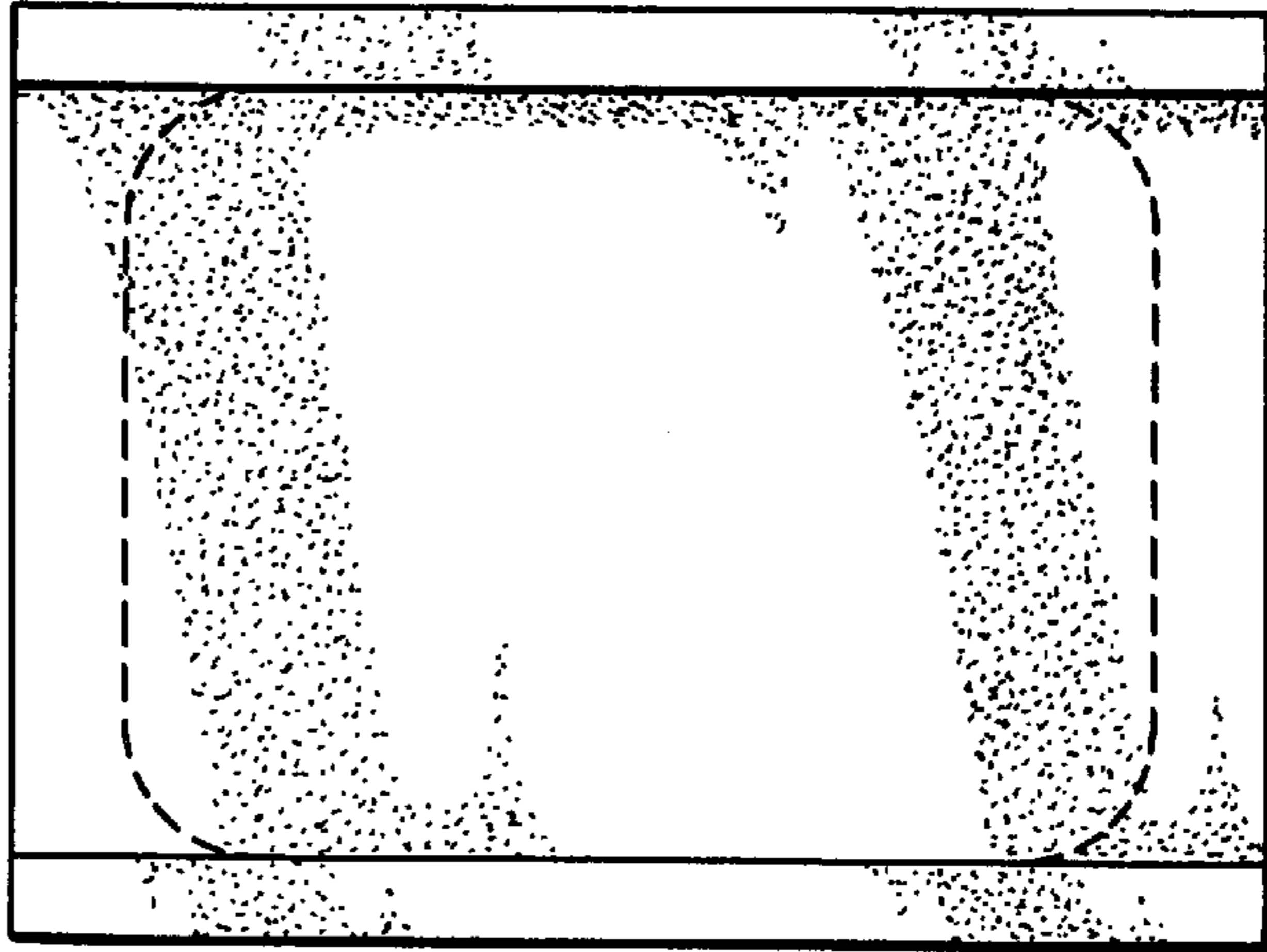
*FIG. 1.*



*FIG. 3.*



*FIG. 2.*



*FIG. 4.*

*FIG. 5.*

