



US00D407155S

United States Patent [19]
Liu

[11] **Patent Number: Des. 407,155**

[45] **Date of Patent: **Mar. 23, 1999**

[54] **COMBINED CEILING FAN MOTOR HOUSING AND LIGHT FIXTURE UNIT**

[75] Inventor: **Chen-Tze Liu**, Feng Yuan, Taiwan

[73] Assignee: **Pan Air Electric Co., Ltd.**, Taichung Hsien, Taiwan

[**] Term: **14 Years**

[21] Appl. No.: **88,607**

[22] Filed: **May 28, 1998**

[51] **LOC (6) Cl.** **23-04**

[52] **U.S. Cl.** **D23/411; D23/377; D23/379; D26/85**

[58] **Field of Search** **D23/377, 379, D23/385, 411; 416/5; 392/364; 362/96; D26/81-86, 88, 59, 51, 72**

[56] **References Cited**

U.S. PATENT DOCUMENTS

D. 372,774 8/1996 Holbrook D23/411

Primary Examiner—Lisa Lichtenstein
Attorney, Agent, or Firm—William E. Pelton

[57] **CLAIM**

The ornamental design for a combined ceiling fan motor housing and light fixture unit, as shown and described.

DESCRIPTION

FIG. 1 is a front-right-bottom perspective view of a combined ceiling fan motor housing and light fixture unit showing my new design;

FIG. 2 is an enlarged front elevational view thereof;

FIG. 3 is an enlarged rear elevational view thereof;

FIG. 4 is an enlarged left side view thereof;

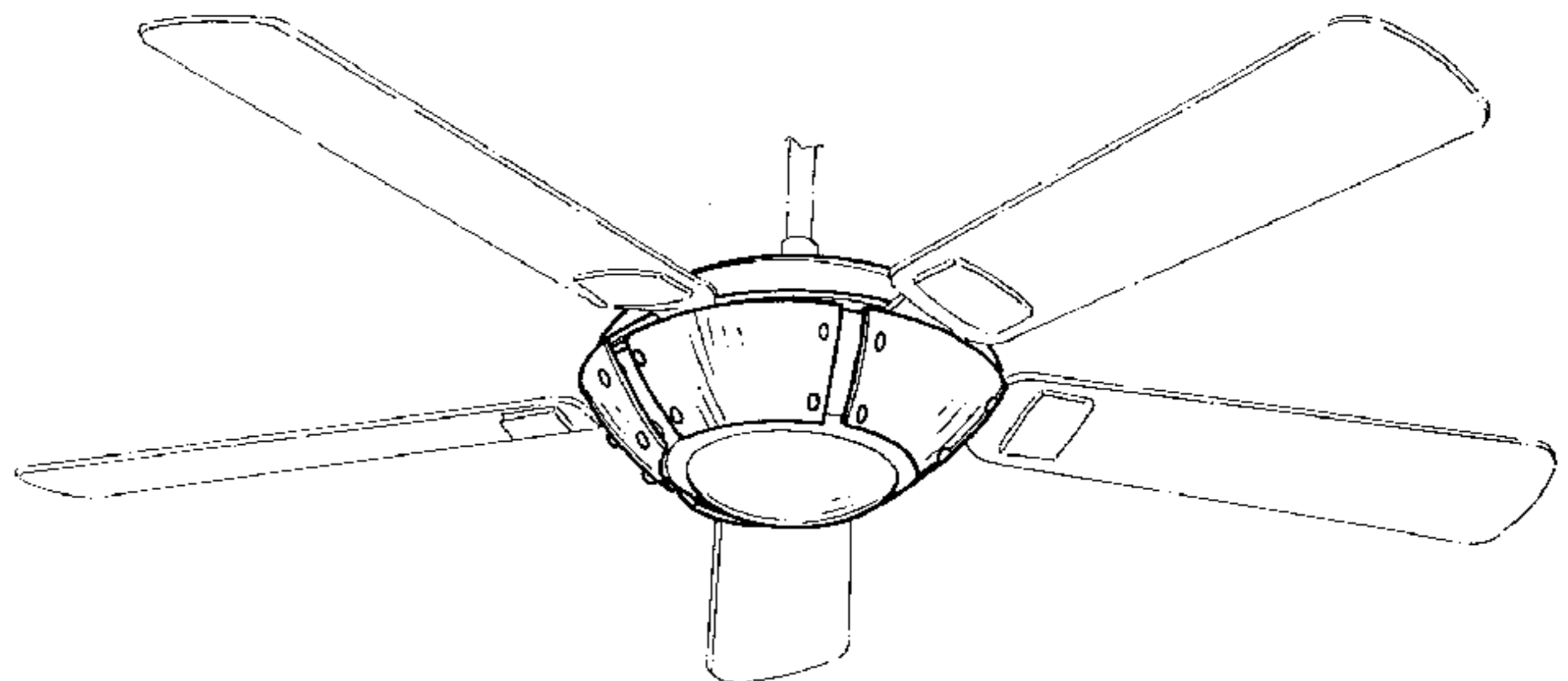
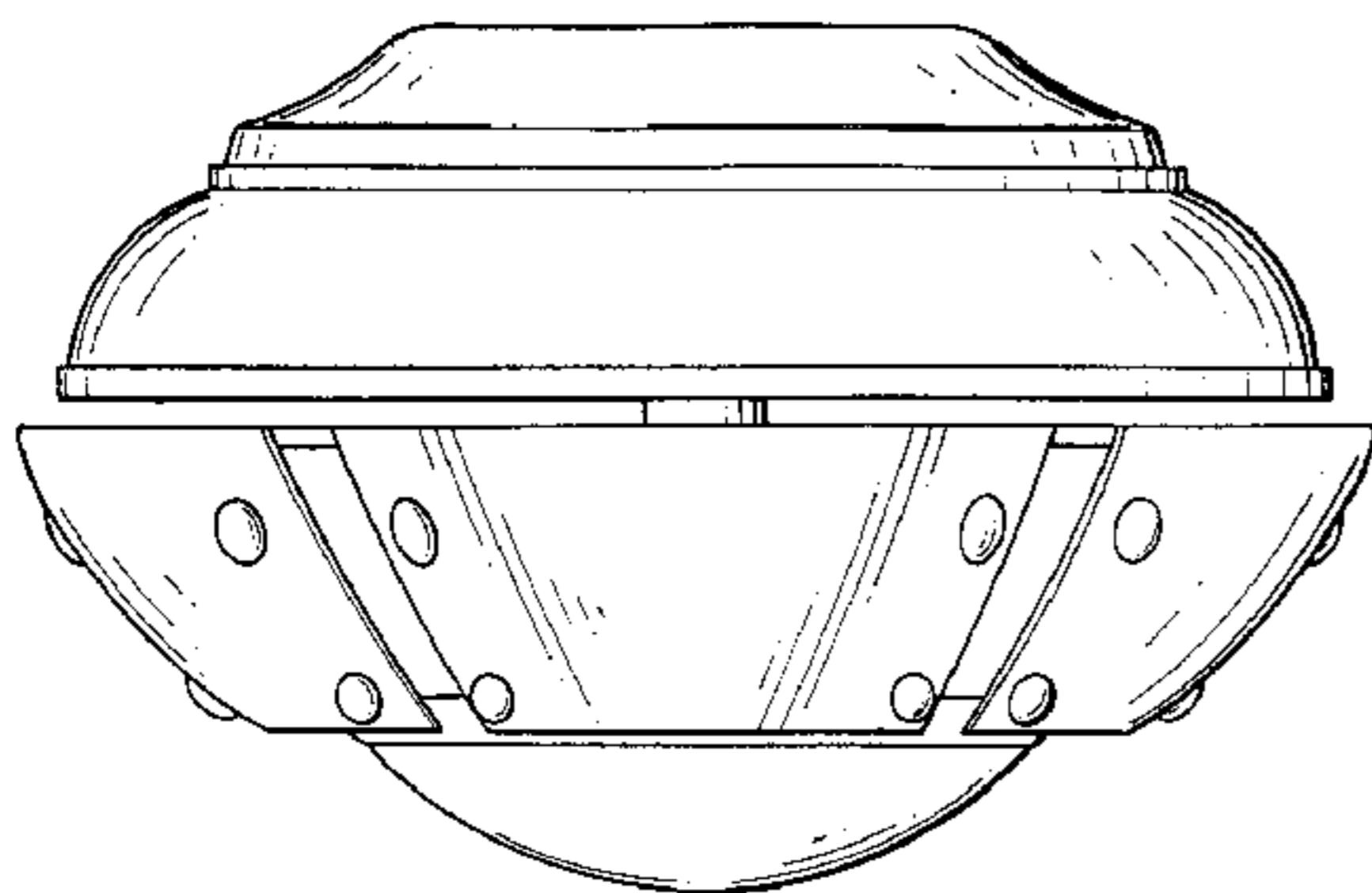
FIG. 5 is an enlarged right side view thereof;

FIG. 6 is an enlarged top plan view thereof;

FIG. 7 is an enlarged bottom plan view thereof; and,

FIG. 8 is a perspective view thereof on a reduced scale, the broken line showing of a ceiling fan is for illustrative purposes only and forms no part of the claimed design.

1 Claim, 5 Drawing Sheets



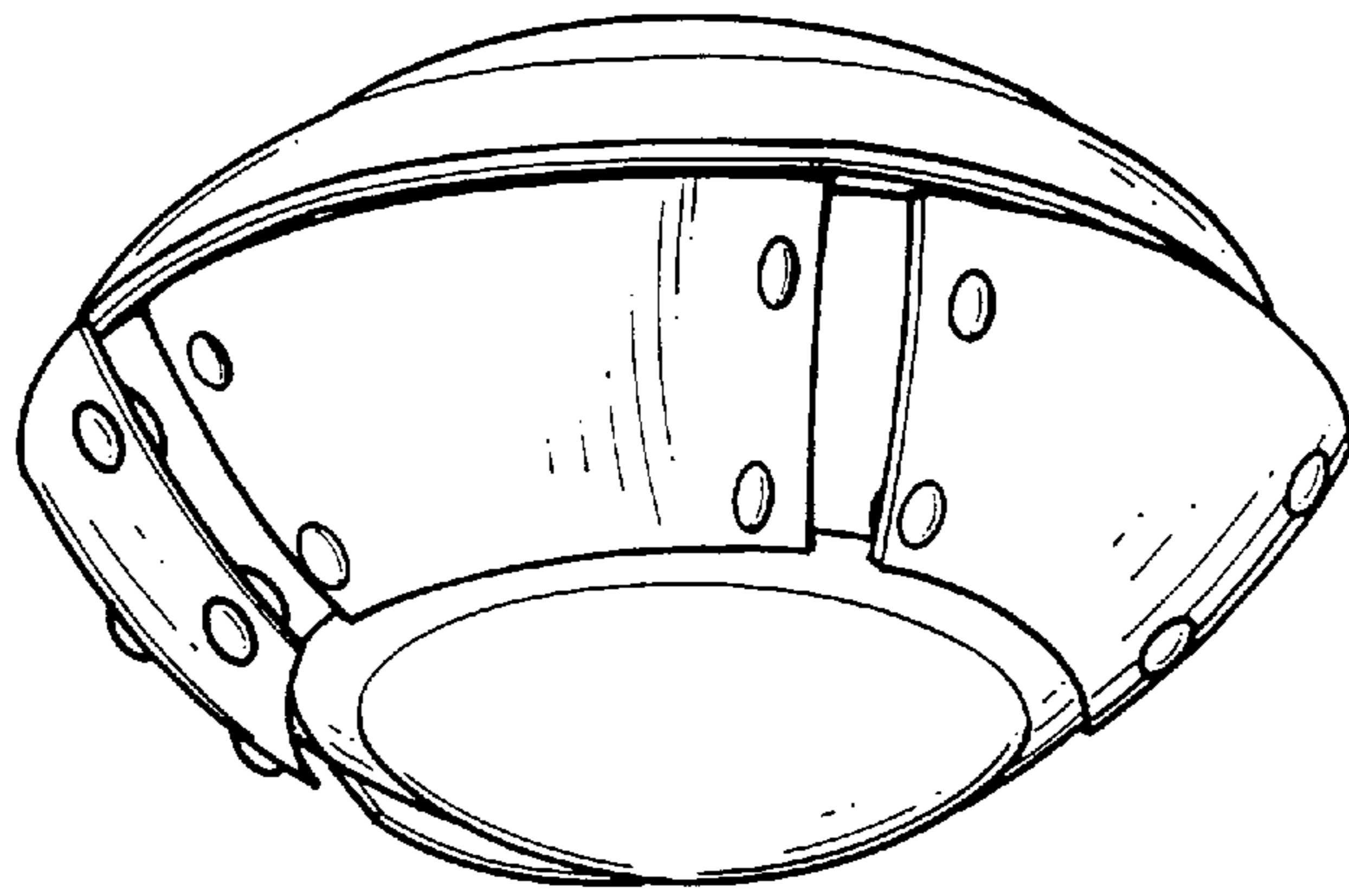


FIG. 1

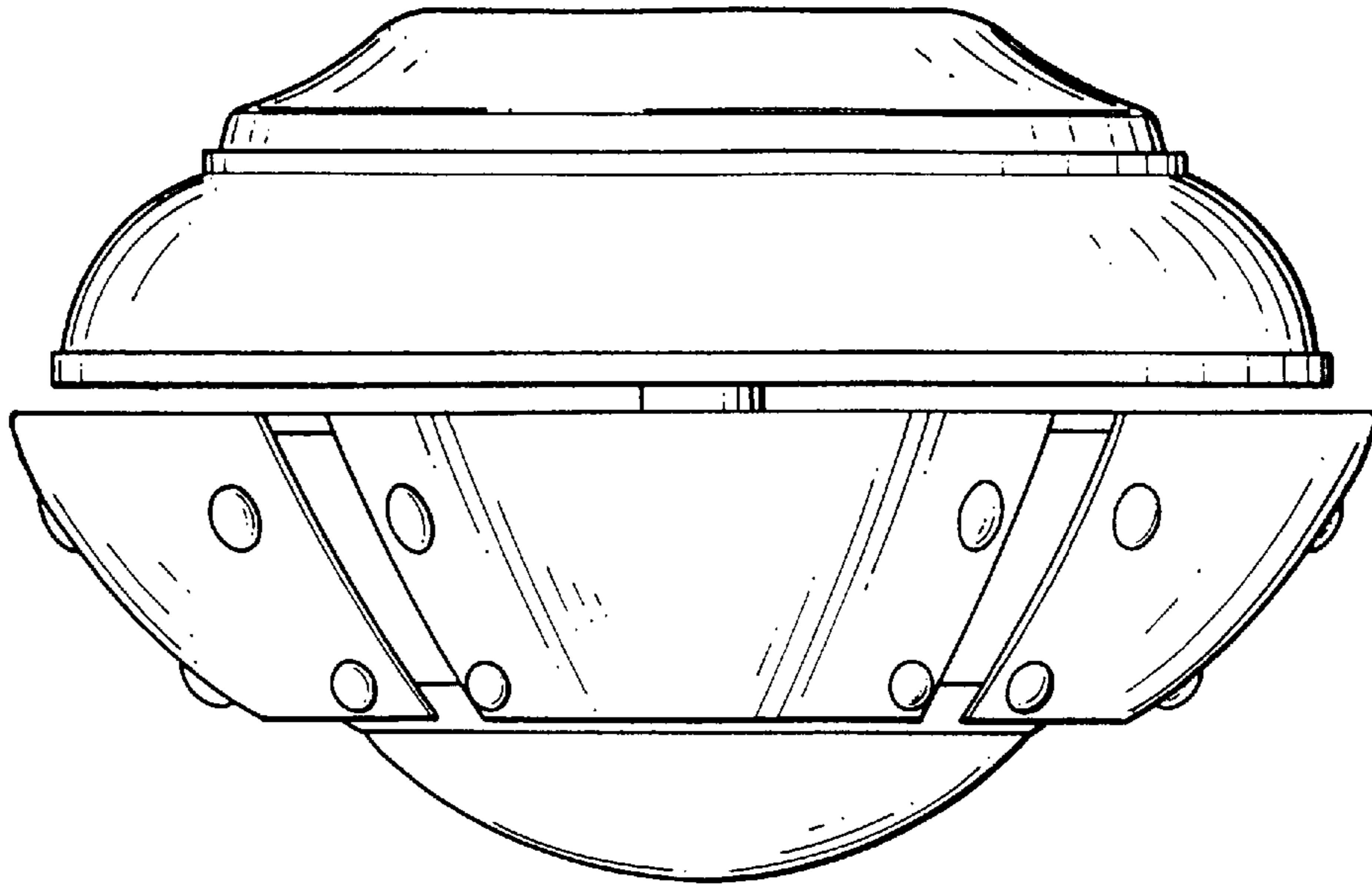


FIG. 2

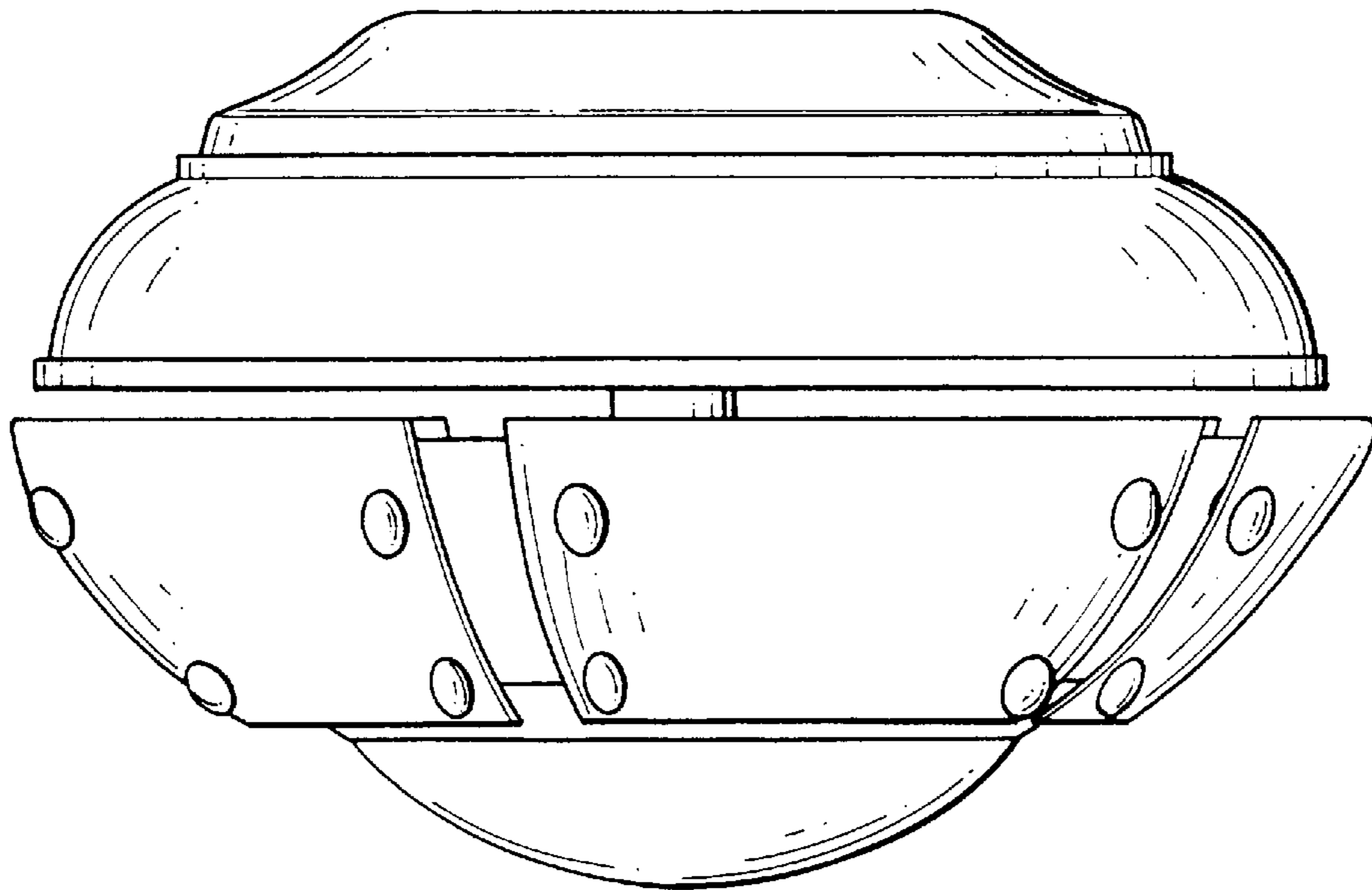


FIG. 4

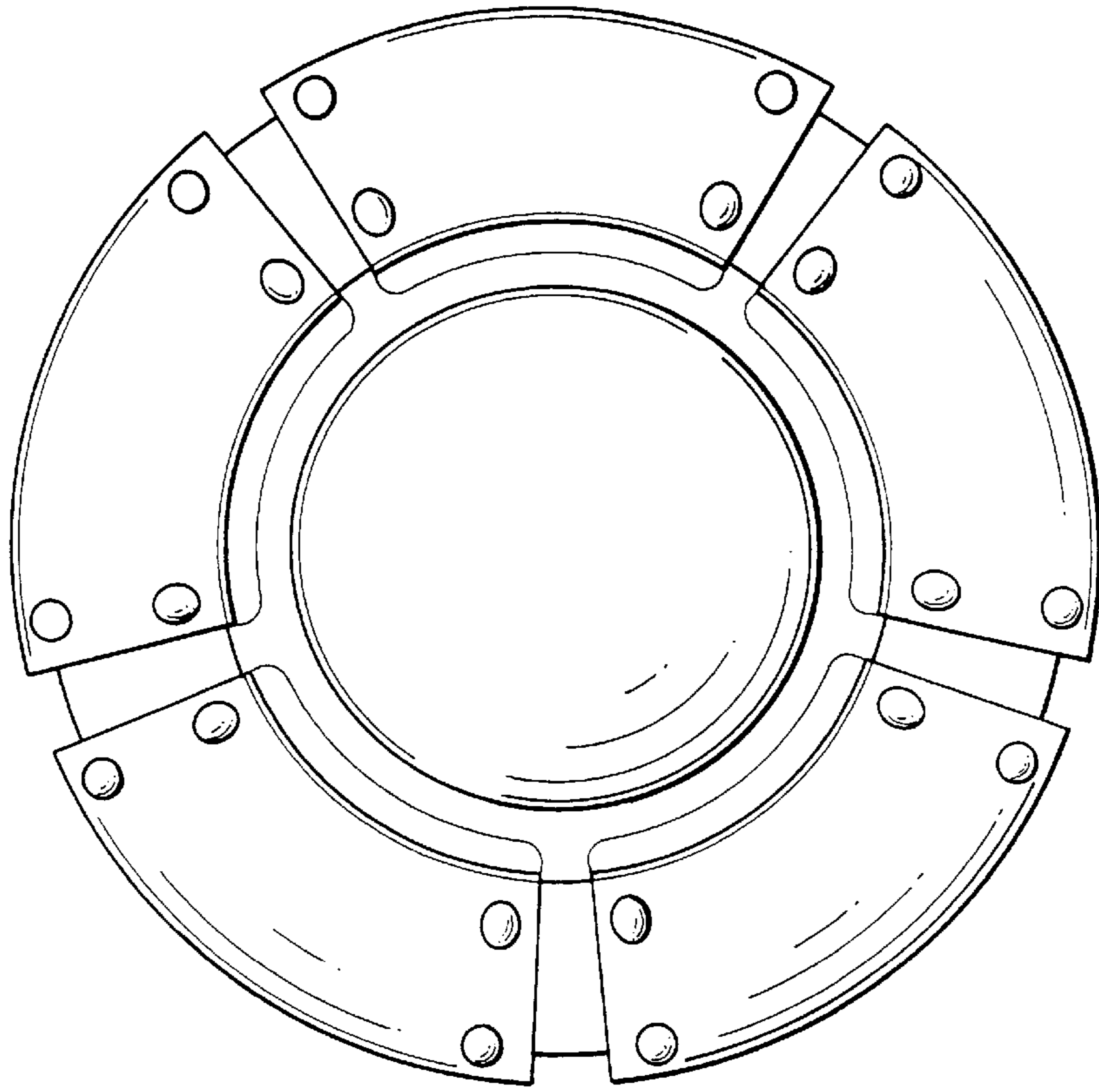


FIG. 7

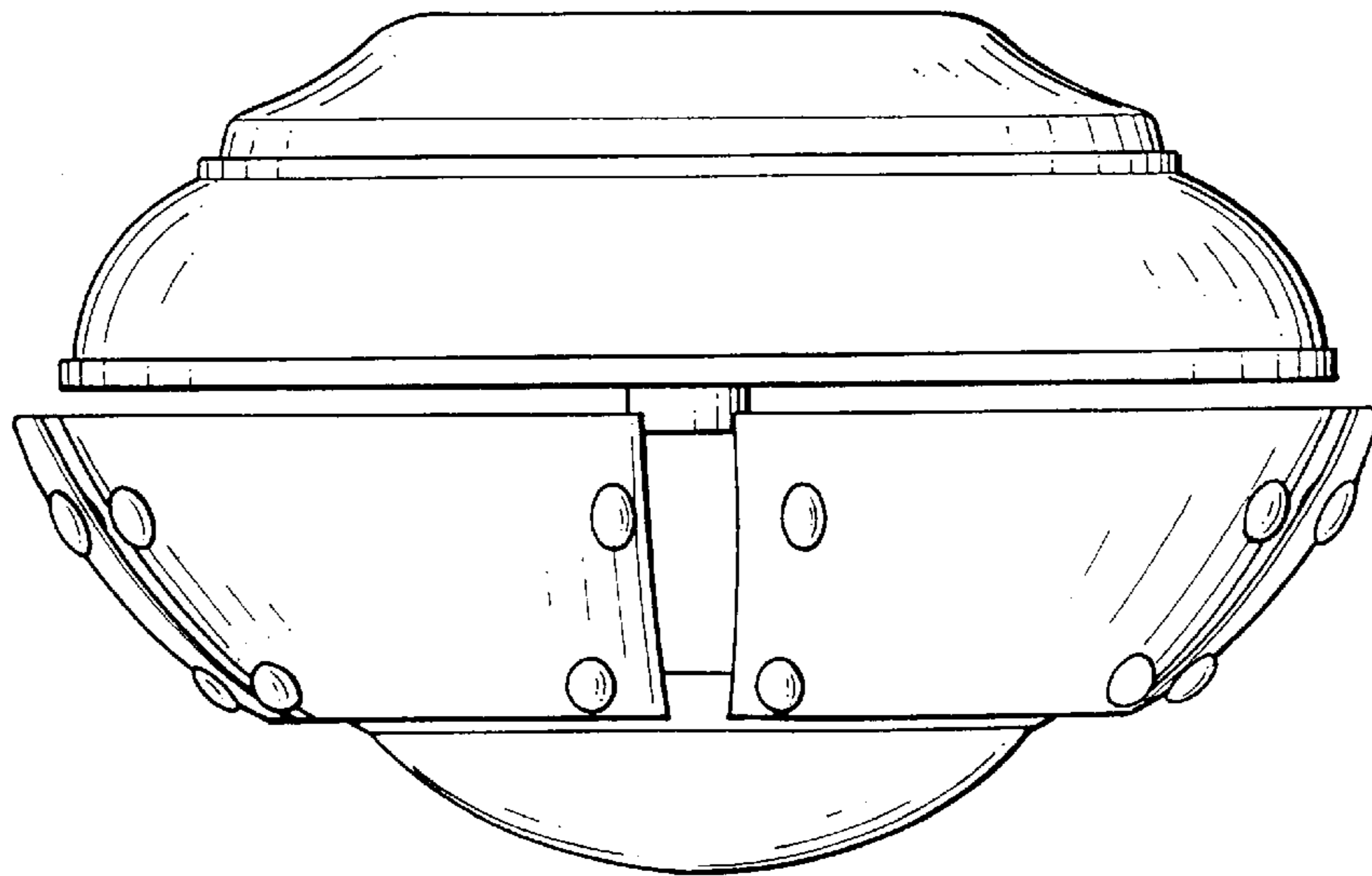


FIG. 3

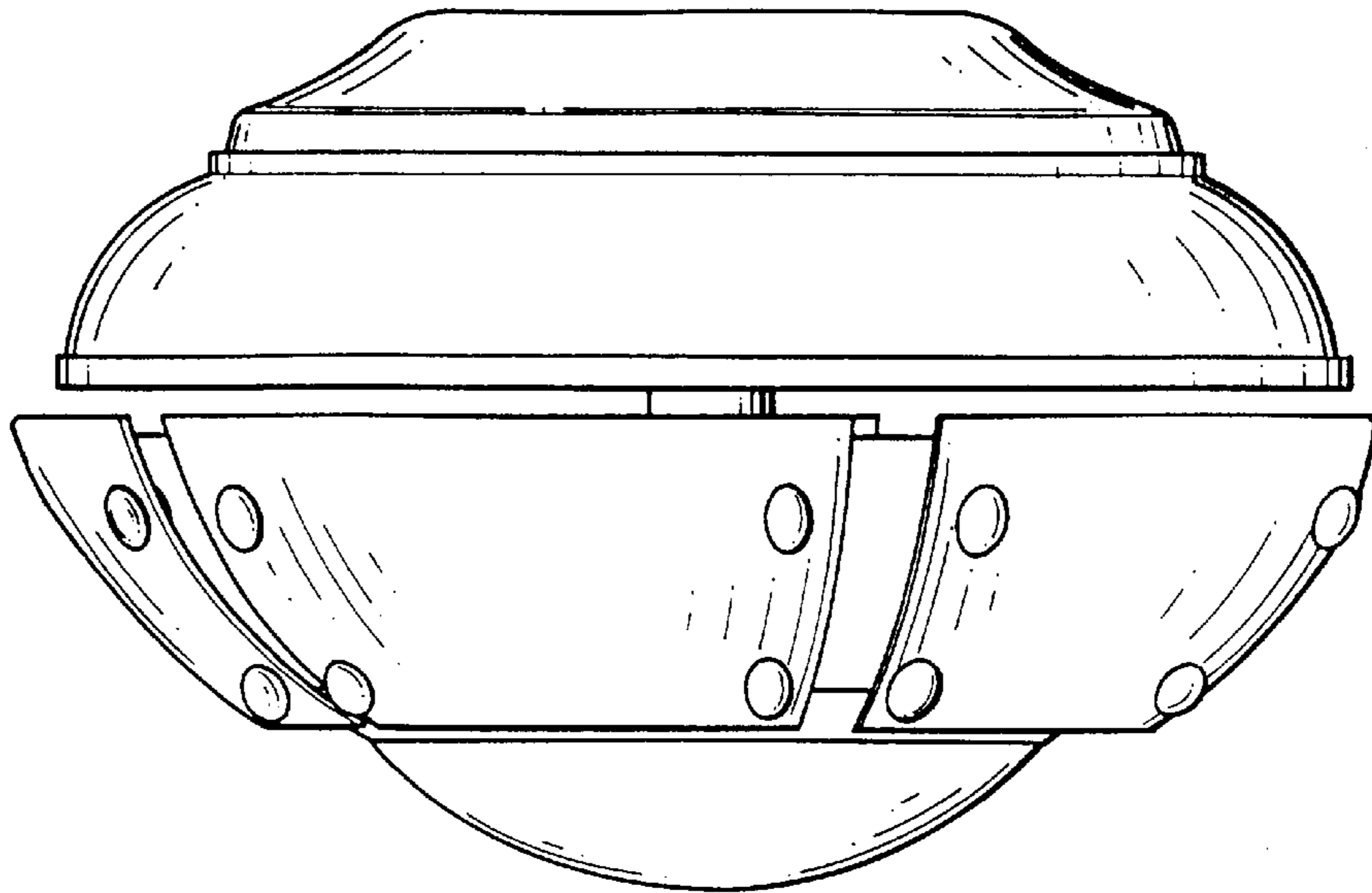


FIG. 5

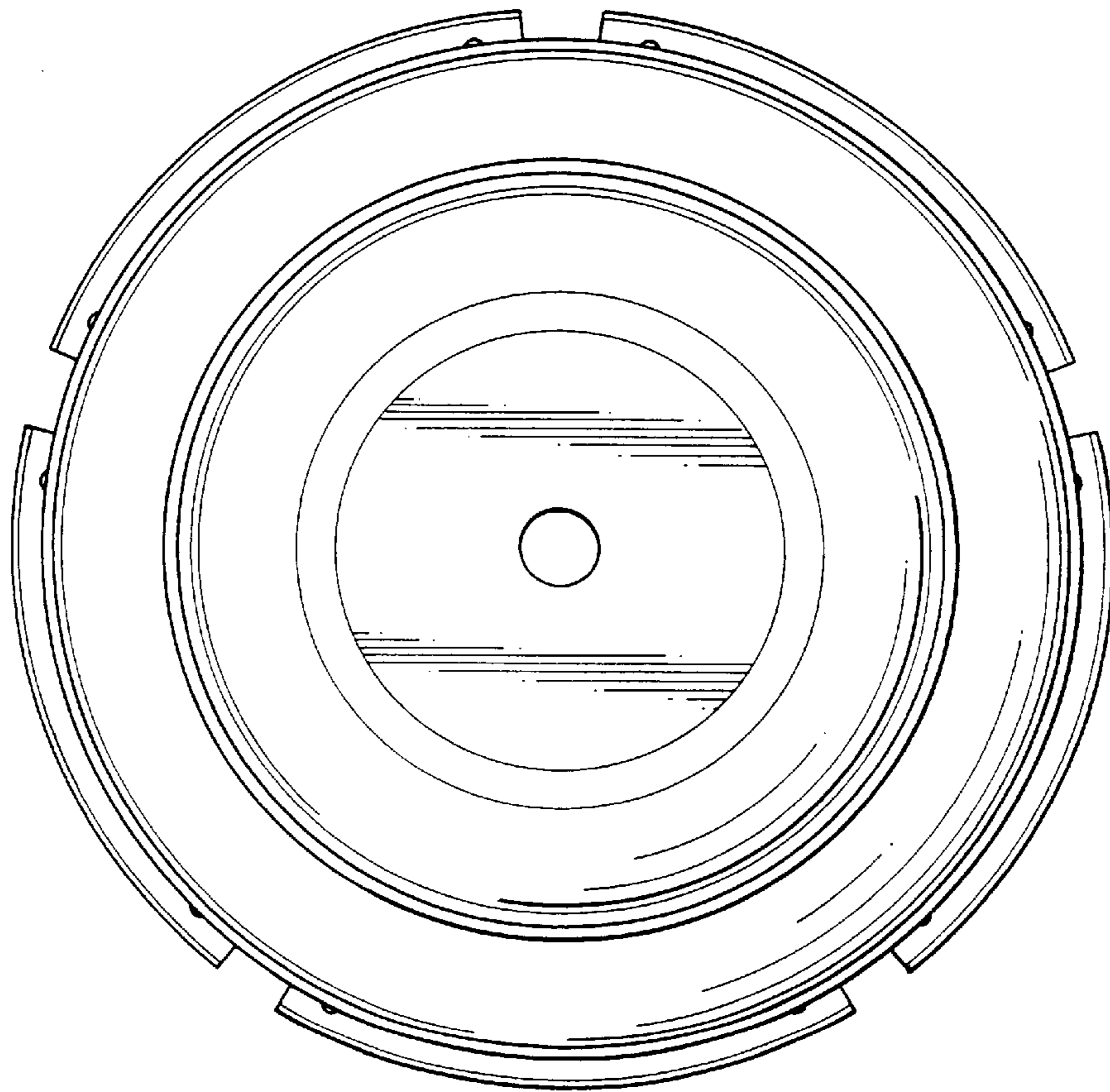


FIG. 6

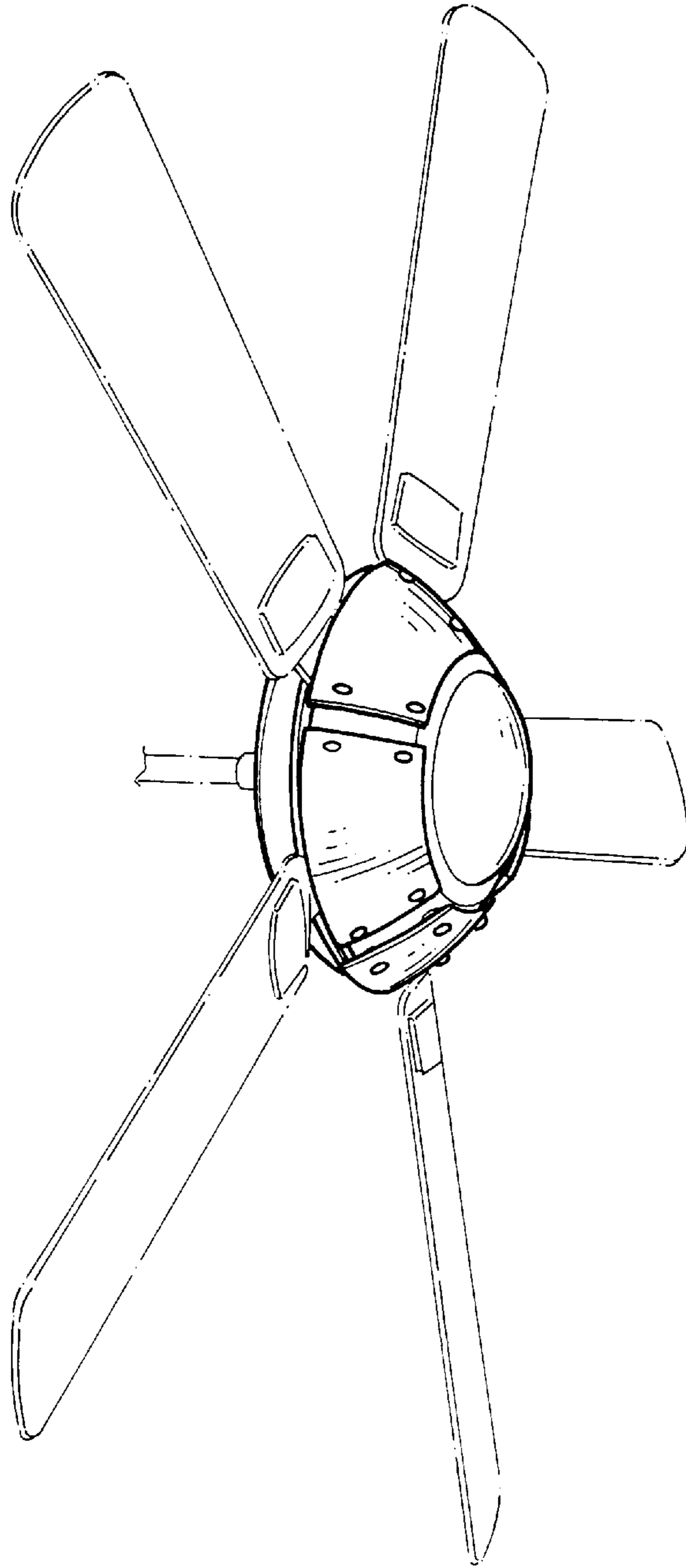


FIG.8