



US00D407154S

United States Patent [19]

Thomas

[11] Patent Number: **Des. 407,154**

[45] Date of Patent: ****Mar. 23, 1999**

[54] **COMBINED MOTOR HOUSING, BLADE IRONS AND LIGHT FIXTURE UNIT FOR A CEILING FAN**

[75] Inventor: **James Thomas**, Memphis, Tenn.

[73] Assignee: **Hunter Fan Company**, Memphis, Tenn.

[**] Term: **14 Years**

[21] Appl. No.: **87,978**

[22] Filed: **May 13, 1998**

[51] **LOC (6) Cl.** **23-04**

[52] **U.S. Cl.** **D23/411; D23/377; D23/379; D26/84**

[58] **Field of Search** **D23/411, 377, D23/379, 385; 416/5; 362/96; 392/364; D26/81-86, 88, 51, 72, 80**

[56] **References Cited**

U.S. PATENT DOCUMENTS

| | | | | |
|------------|--------|-------------------|-------|---------|
| D. 358,877 | 5/1995 | Tsuji | | D23/377 |
| D. 360,939 | 8/1995 | Wang | | D26/59 |
| 5,486,094 | 1/1996 | Davis, Jr. et al. | | 416/5 |

Primary Examiner—Lisa Lichtenstein

Attorney, Agent, or Firm—Baker, Donelson, Bearman & Caldwell

[57] **CLAIM**

The ornamental design for a combined motor housing, blade irons and light fixture unit for a ceiling fan, as shown and described.

DESCRIPTION

FIG. 1 is a perspective view of a combined motor housing, blade irons and light fixture unit for a ceiling fan showing my new design;

FIG. 2 is an additional perspective view of the combined motor housing, blade irons and light fixture unit for a ceiling fan shown in FIG. 1 with the environmental structure removed;

FIG. 3 is a front view thereof;

FIG. 4 is a right-side view thereof;

FIG. 5 is a rear view thereof;

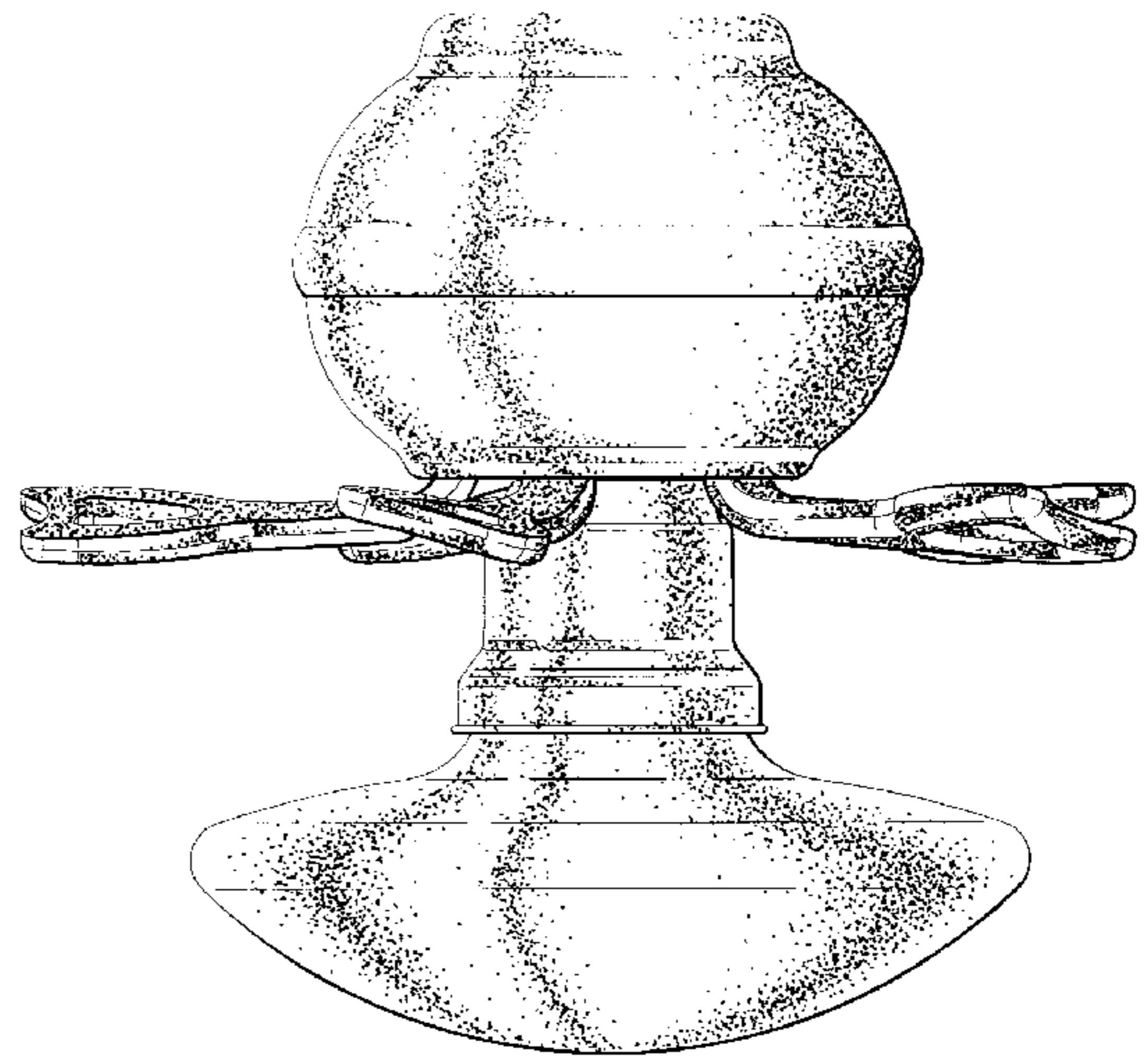
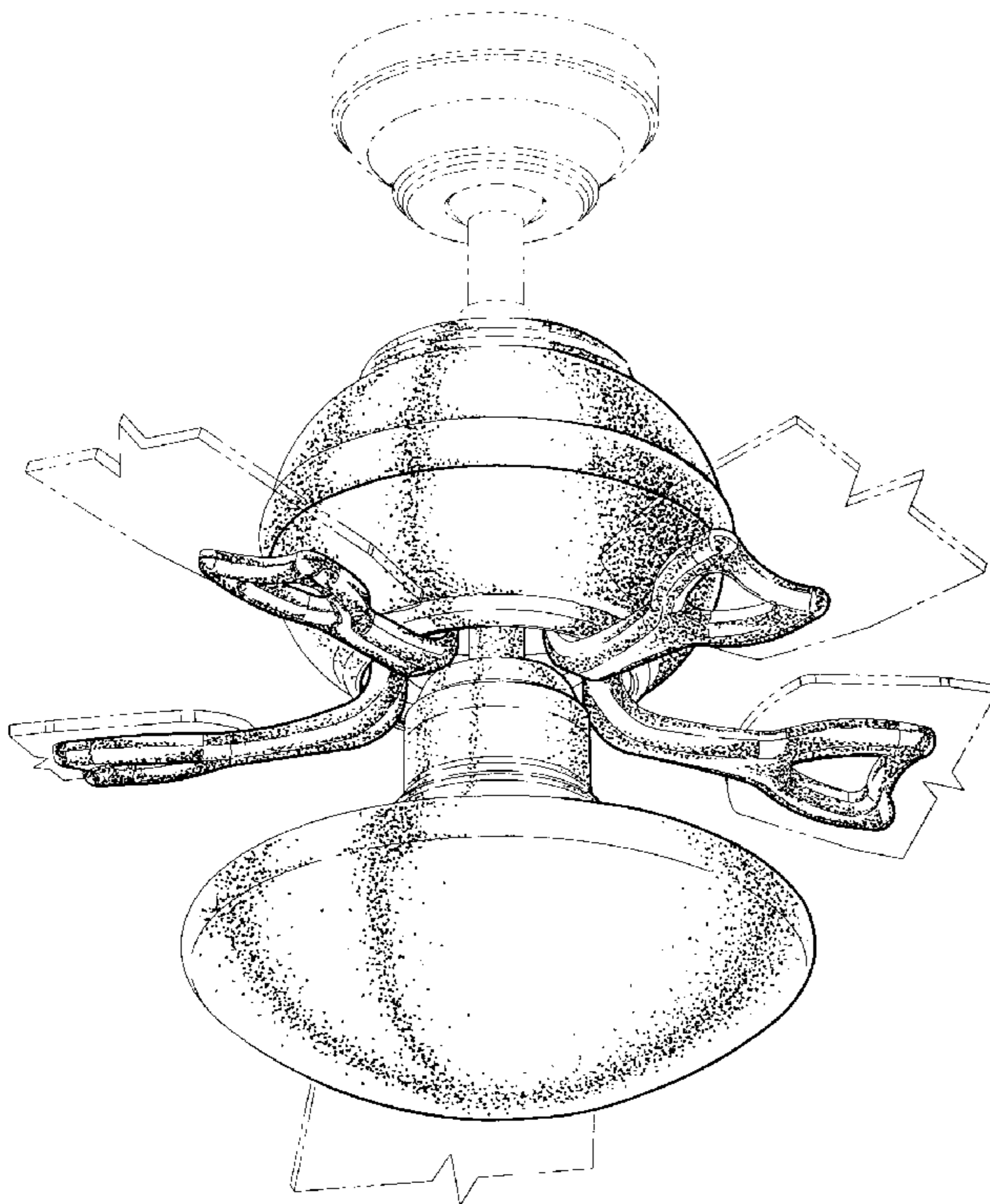
FIG. 6 is a left-side view thereof;

FIG. 7 is a top view thereof; and,

FIG. 8 is a bottom view thereof.

The broken-line showing of environmental structure in FIG. 1 is for illustrative purposes only and forms no part of the claimed design.

1 Claim, 8 Drawing Sheets



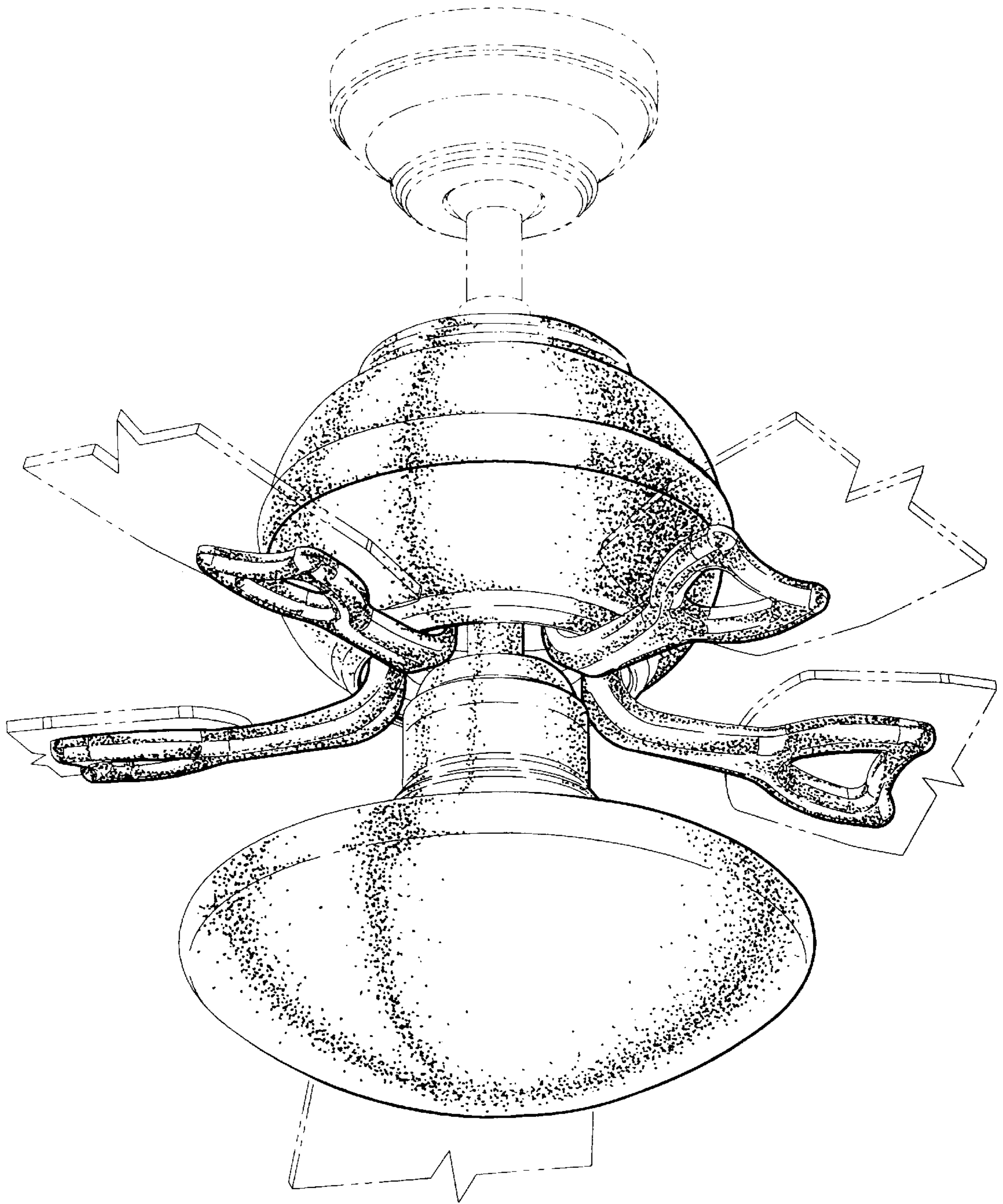


FIG 1

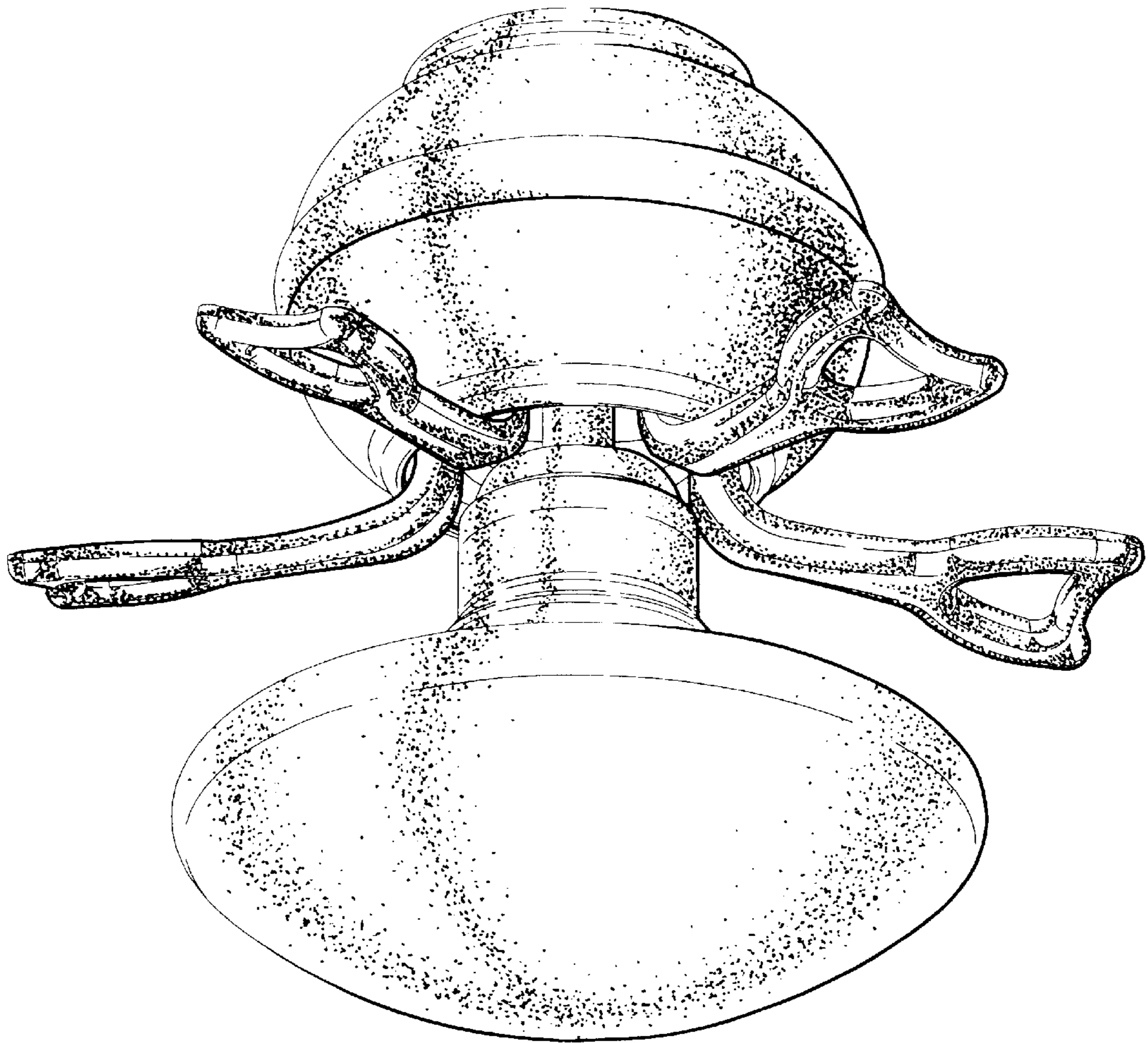


FIG 2

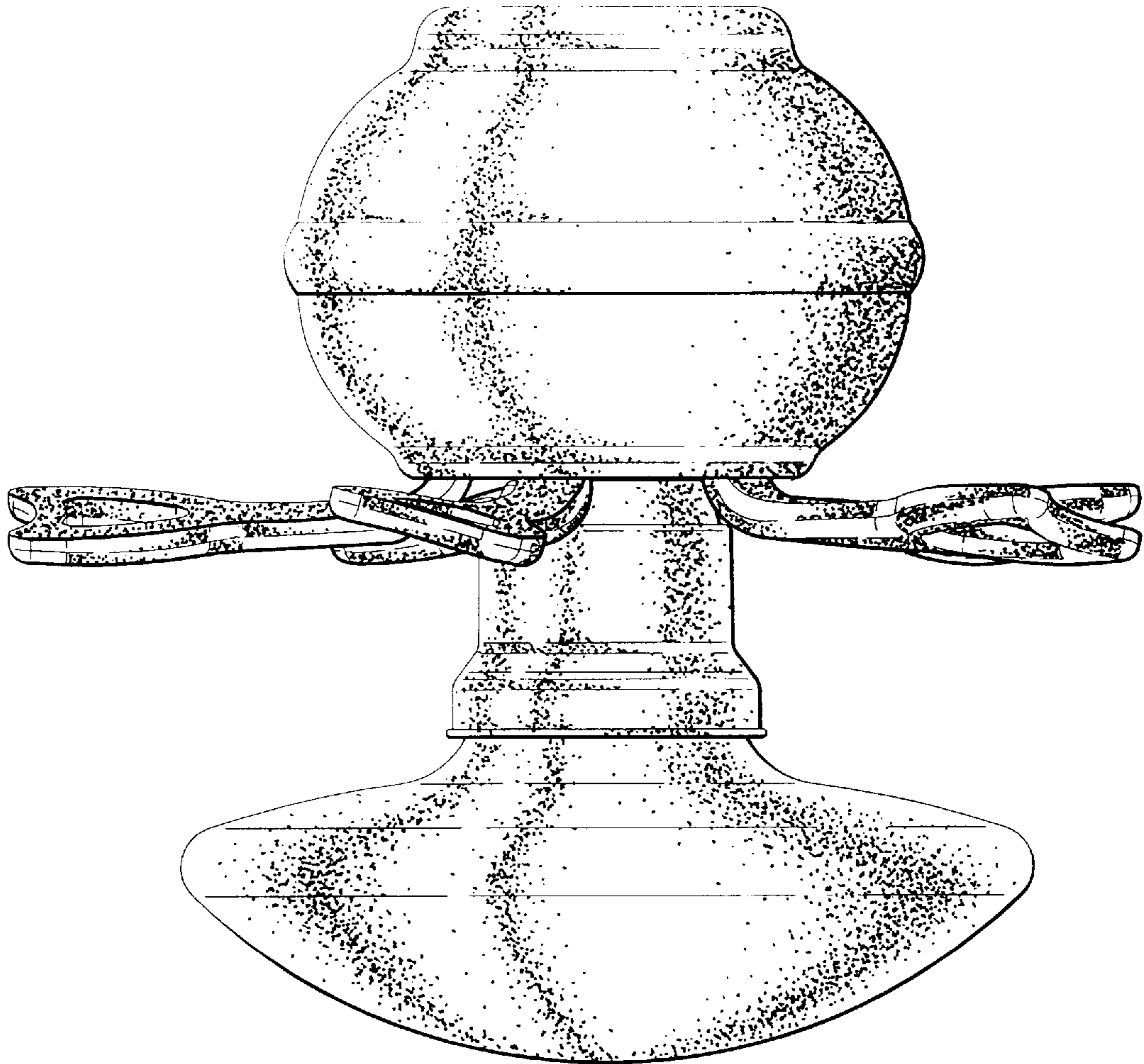


FIG 3

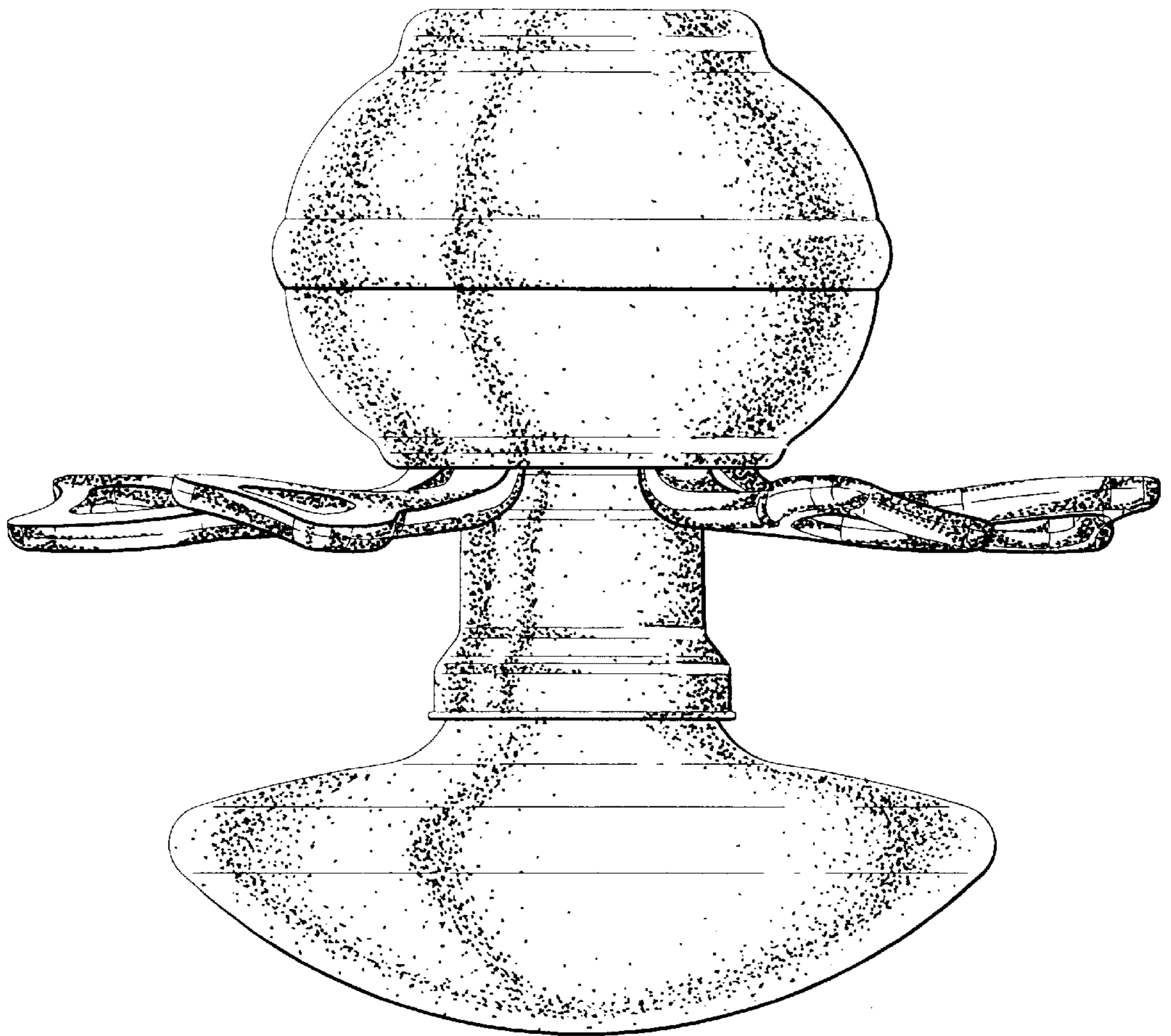


FIG 4

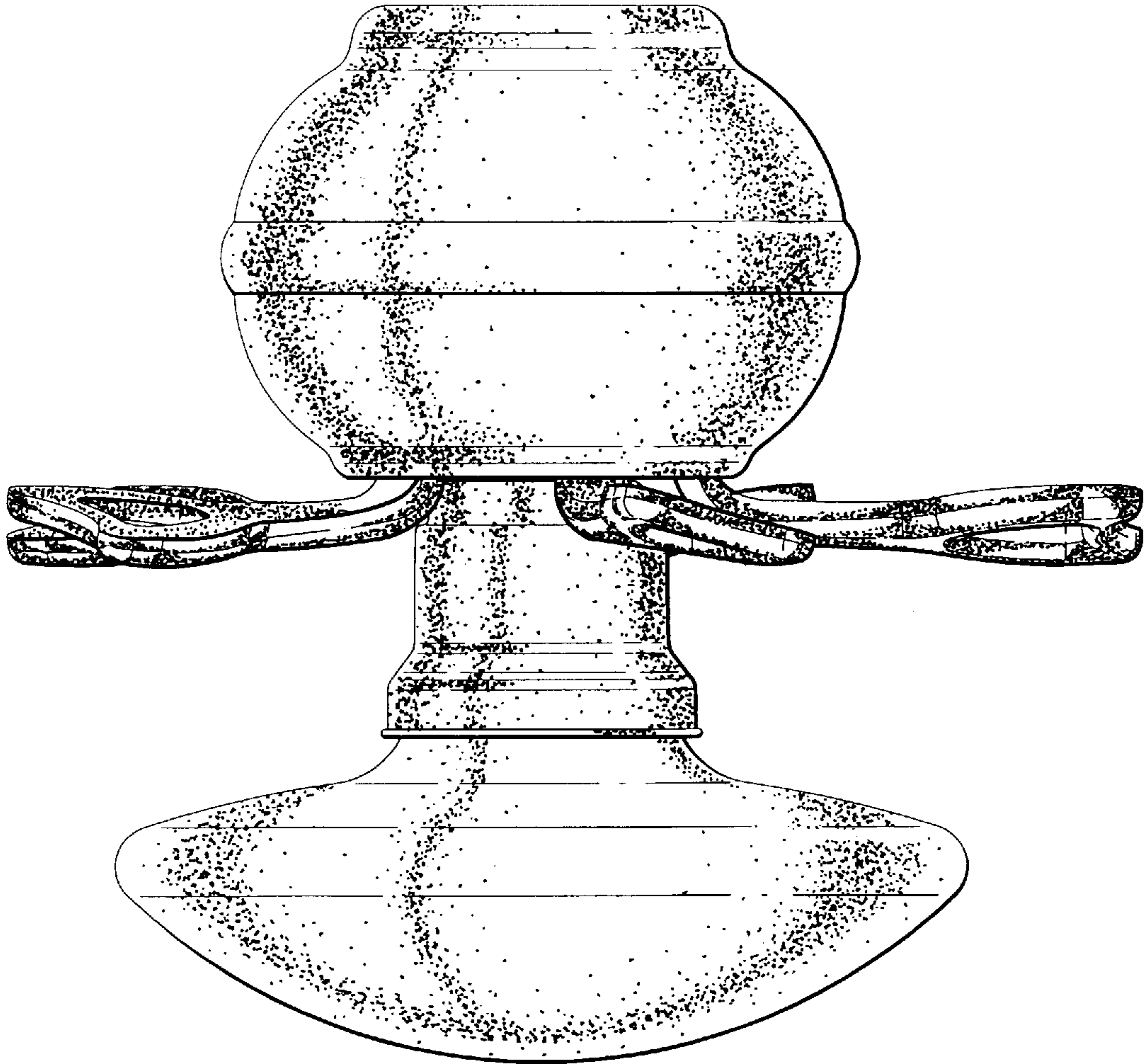


FIG 5

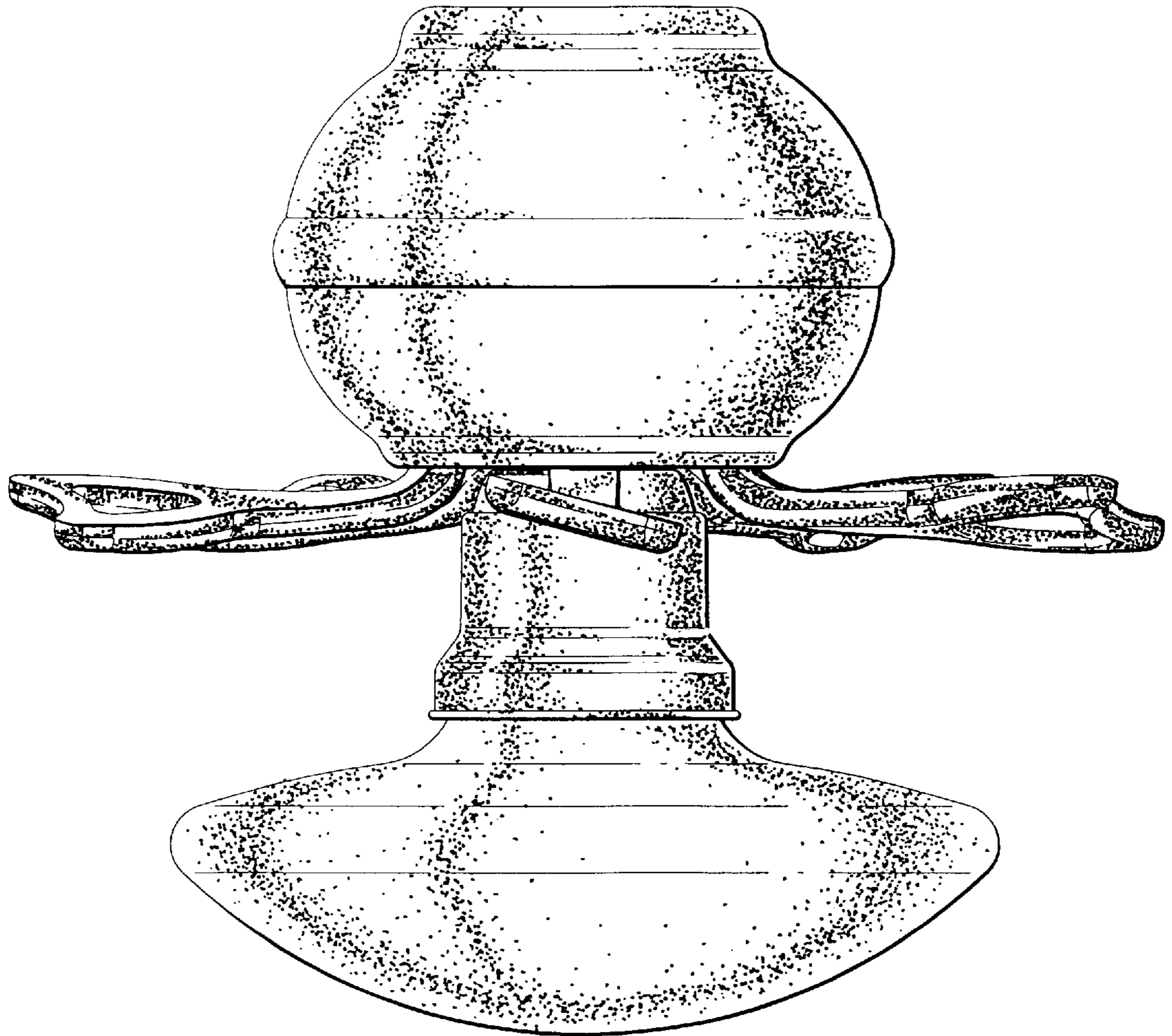


FIG 6

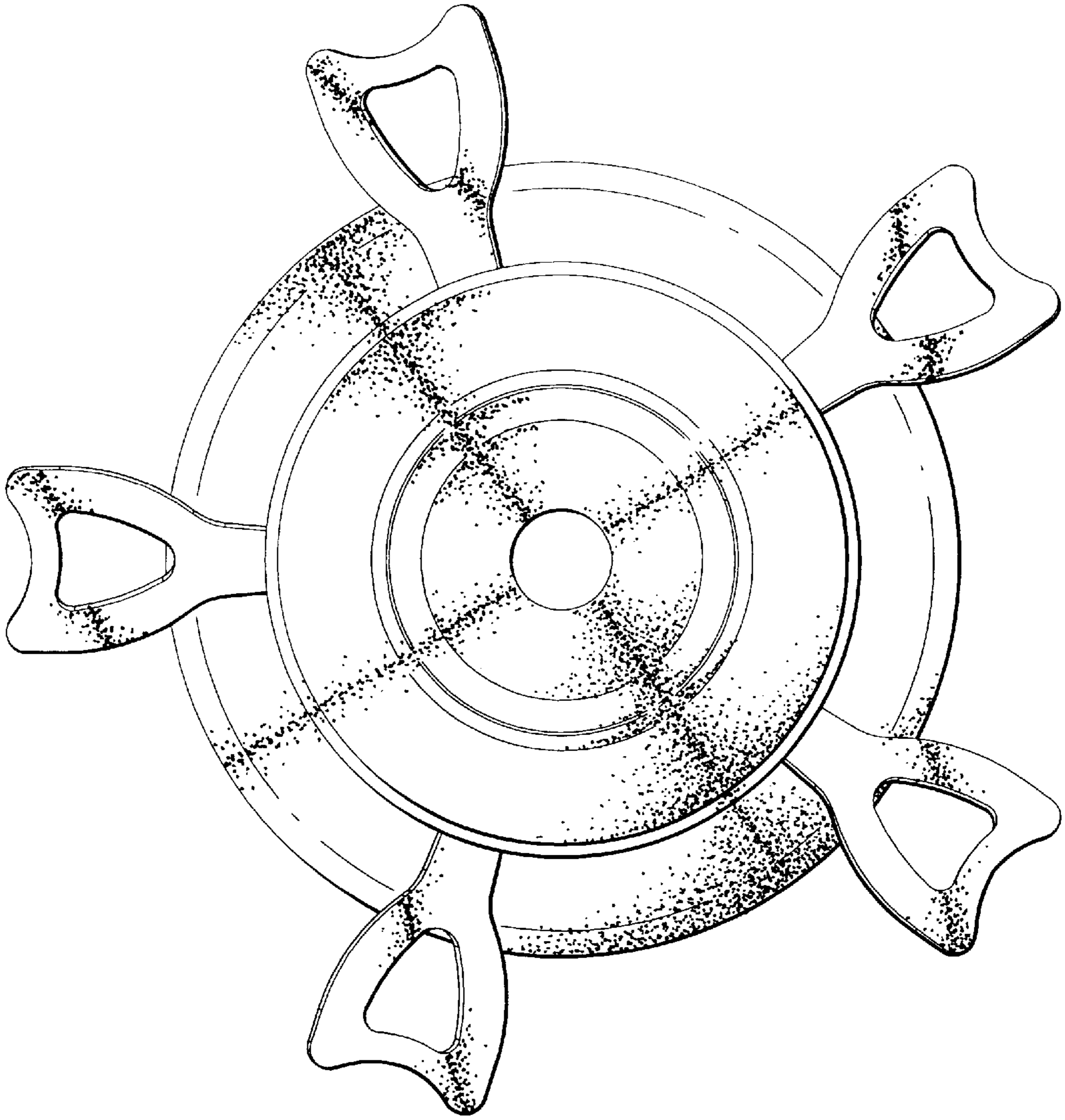


FIG 7

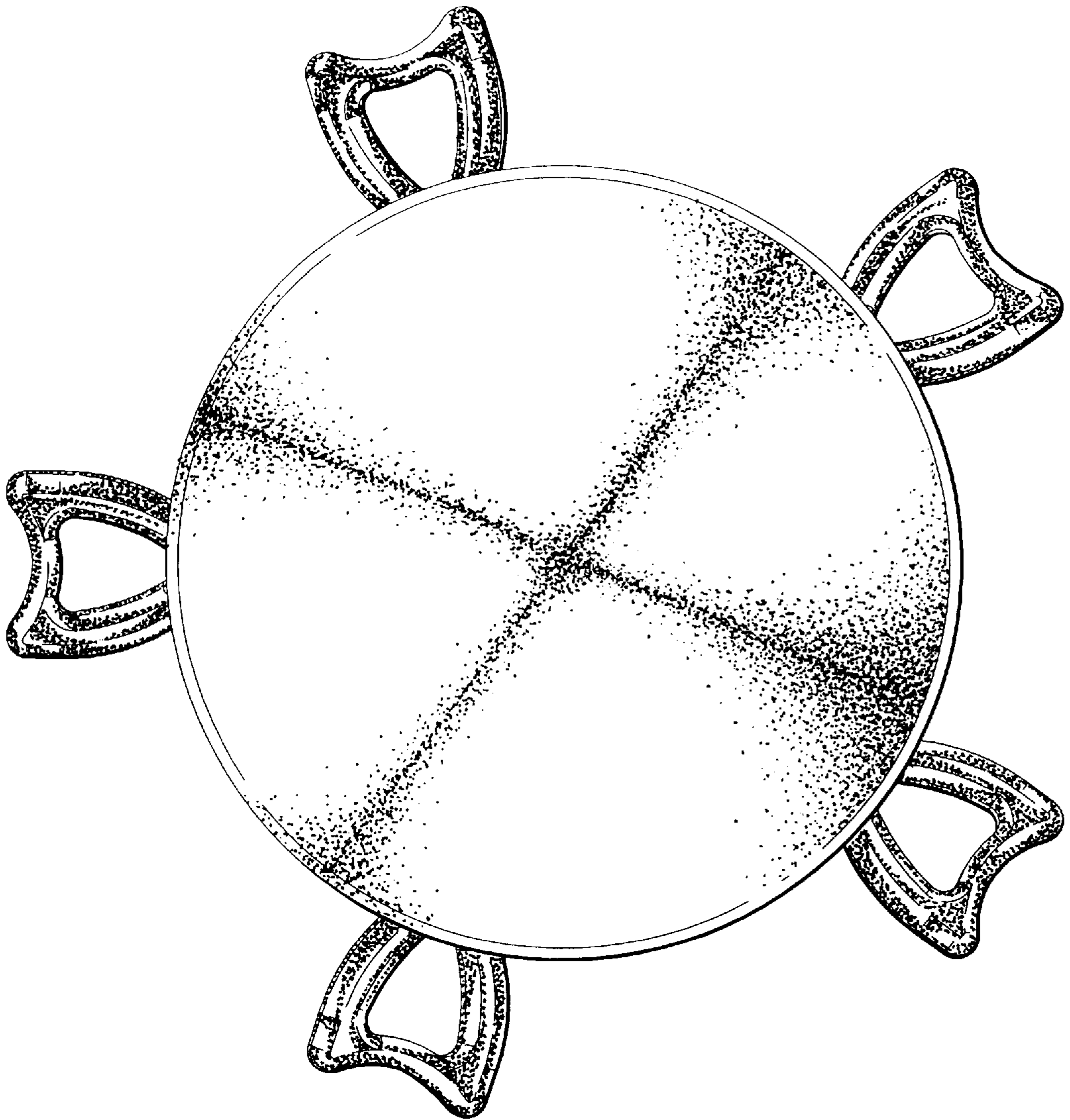


FIG 8