



US00D407152S

United States Patent [19] Colliver

[11] Patent Number: Des. 407,152

[45] Date of Patent: **Mar. 23, 1999

[54] AIR COOLER

[75] Inventor: Anthony David Colliver, St Marys, Australia

[73] Assignee: F F Seeley Nominees Pty Ltd., St Marys, Australia

[**] Term: 14 Years

[21] Appl. No.: 79,104

[22] Filed: Nov. 7, 1997

[30] Foreign Application Priority Data

May 7, 1997 [AU] Australia 1427/97

[51] LOC (6) Cl. 23-04

[52] U.S. Cl. D23/333; D23/351

[58] Field of Search D23/351-354, D23/333; 454/234, 233; 62/239; 417/423.14

[56] References Cited

U.S. PATENT DOCUMENTS

Re. 34,867	2/1995	Yamazaki et al.	D23/351
D. 284,999	8/1986	Worthington et al.	D23/351
D. 294,633	3/1988	McBratney	D23/333
D. 311,575	10/1990	Kearney et al.	D23/351

FOREIGN PATENT DOCUMENTS

S-122124 5/1994 Australia .

OTHER PUBLICATIONS

- "The Bonaire Maxicooler" brochure by Bonaire.
- "Glenaire" brochure by Dimplex Australia Pty. Ltd.
- "Climatronic" 1 pg. brochure by .
- "Air-Plus Serie" 1 pg. brochure by .
- "Studio Star" 1pg. brochure by .

Primary Examiner—Lisa Lichtenstein
Attorney, Agent, or Firm—Watts, Hoffmann, Fisher & Heinke Co., L.P.A.

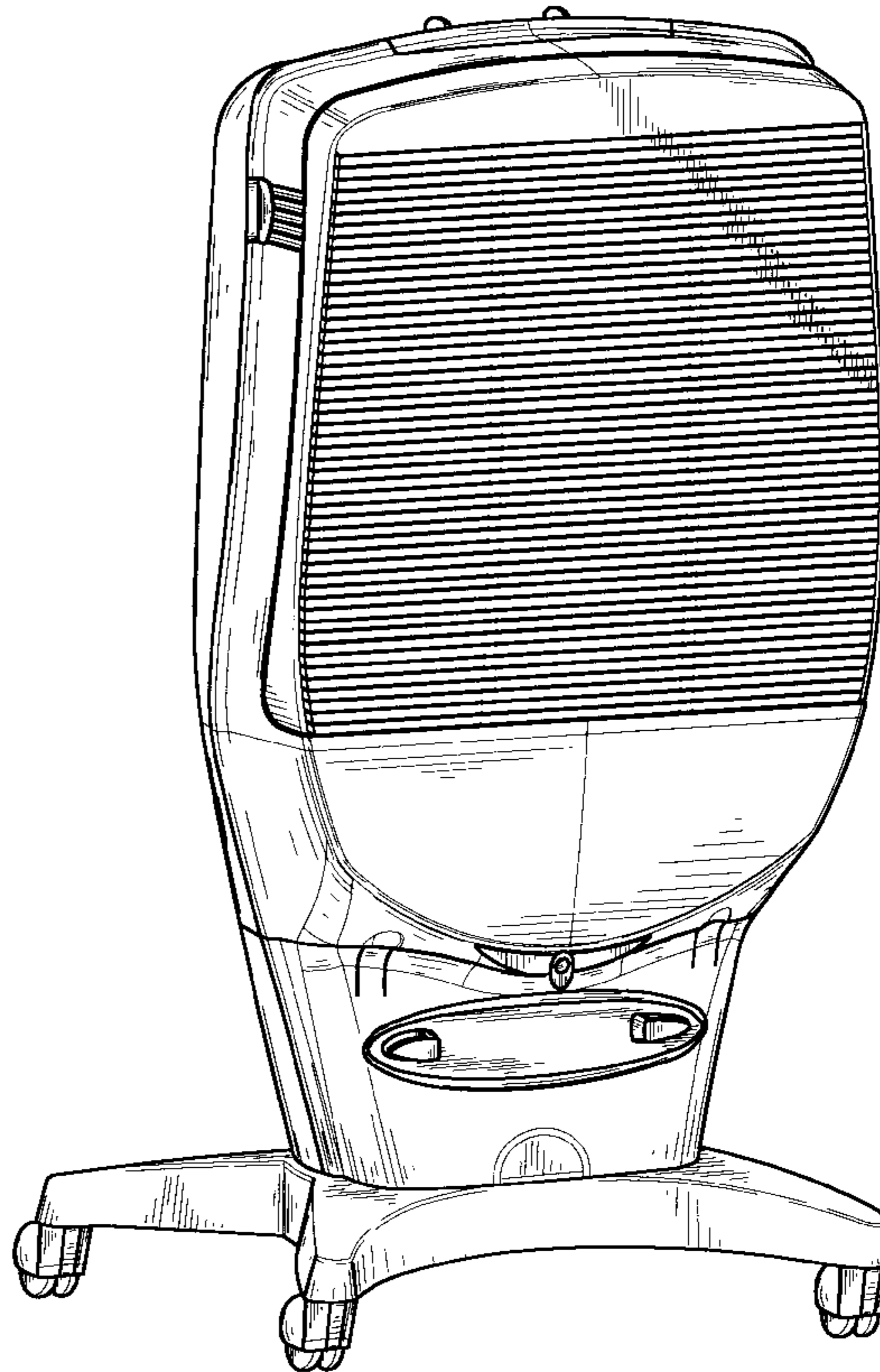
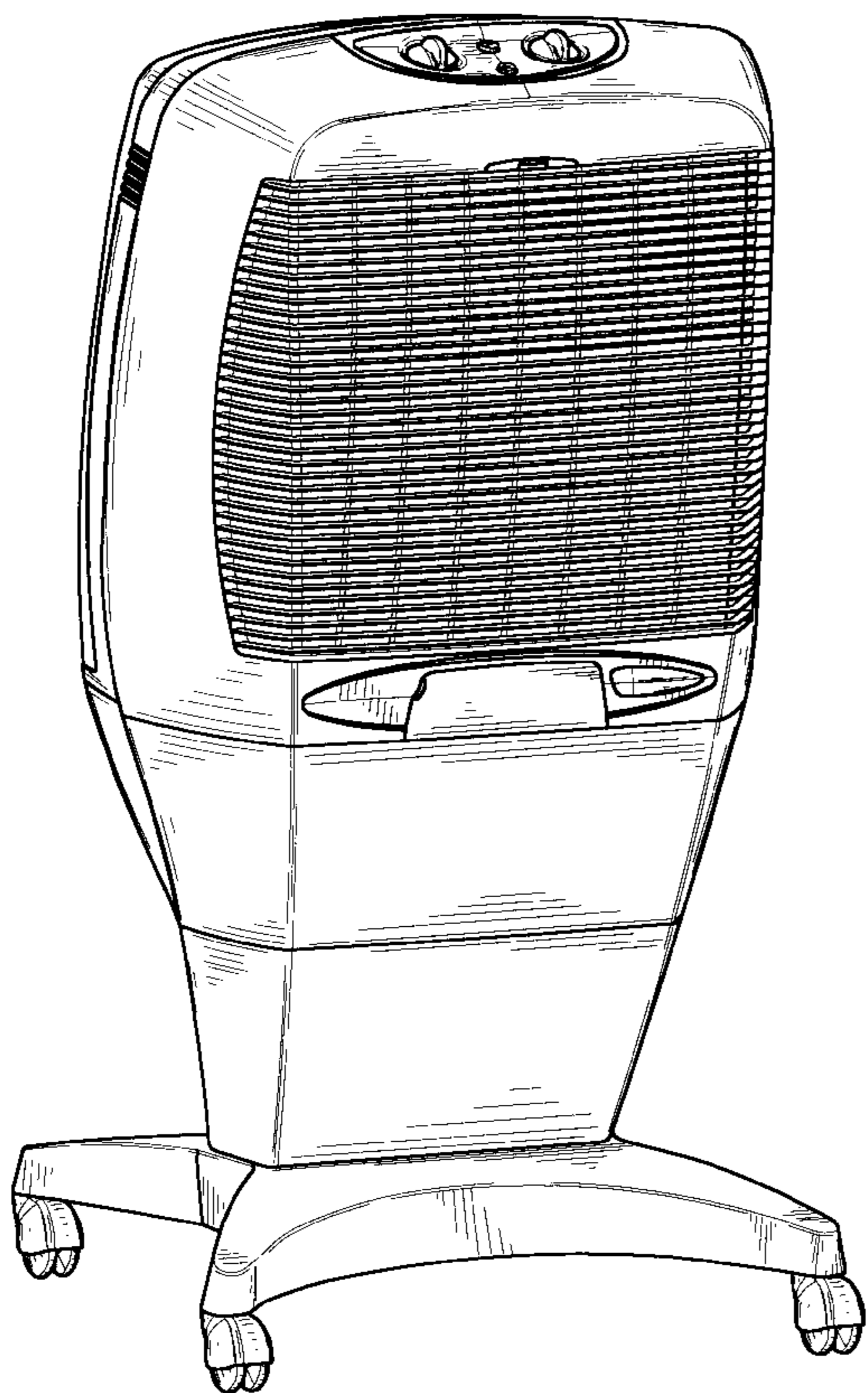
[57] CLAIM

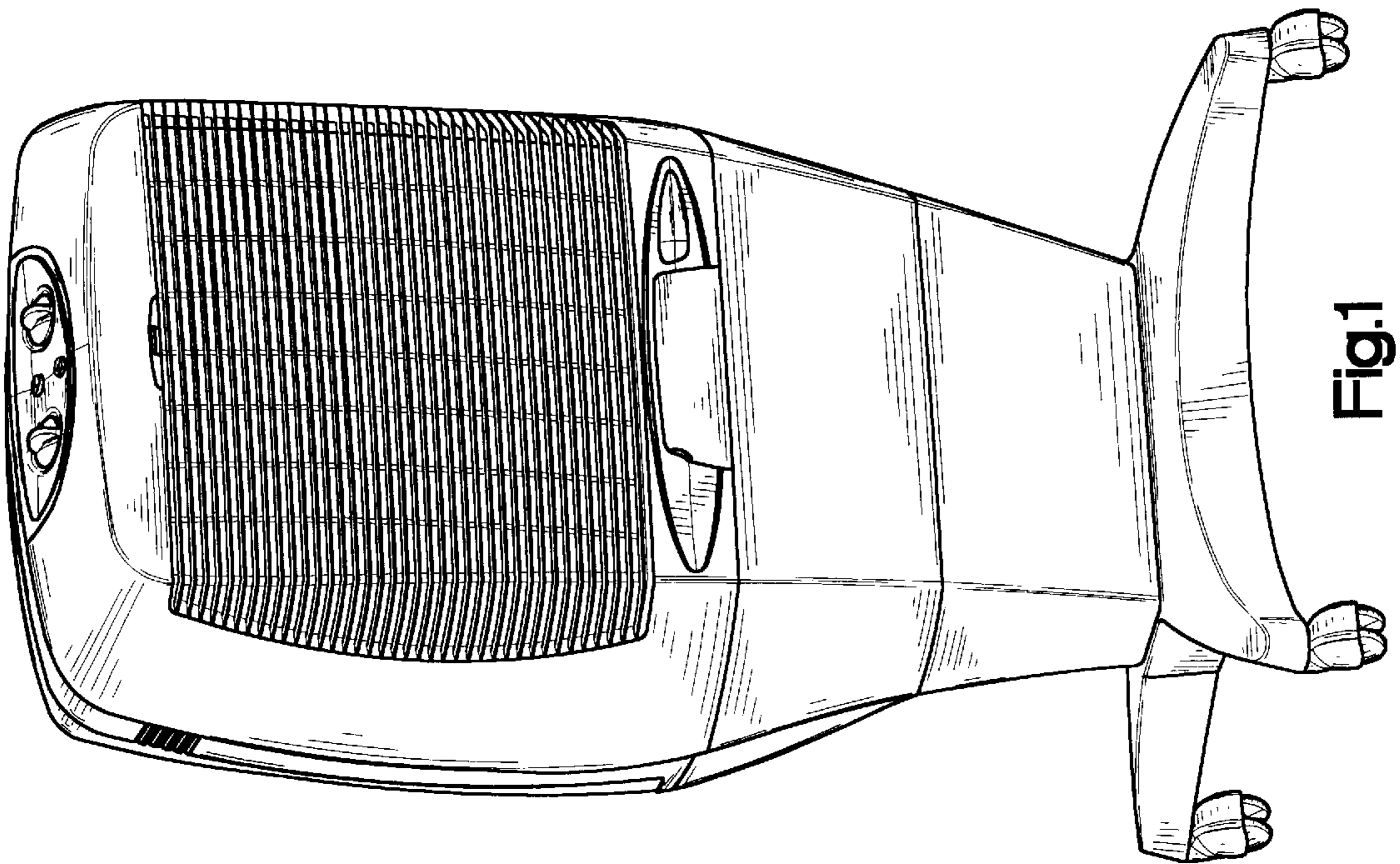
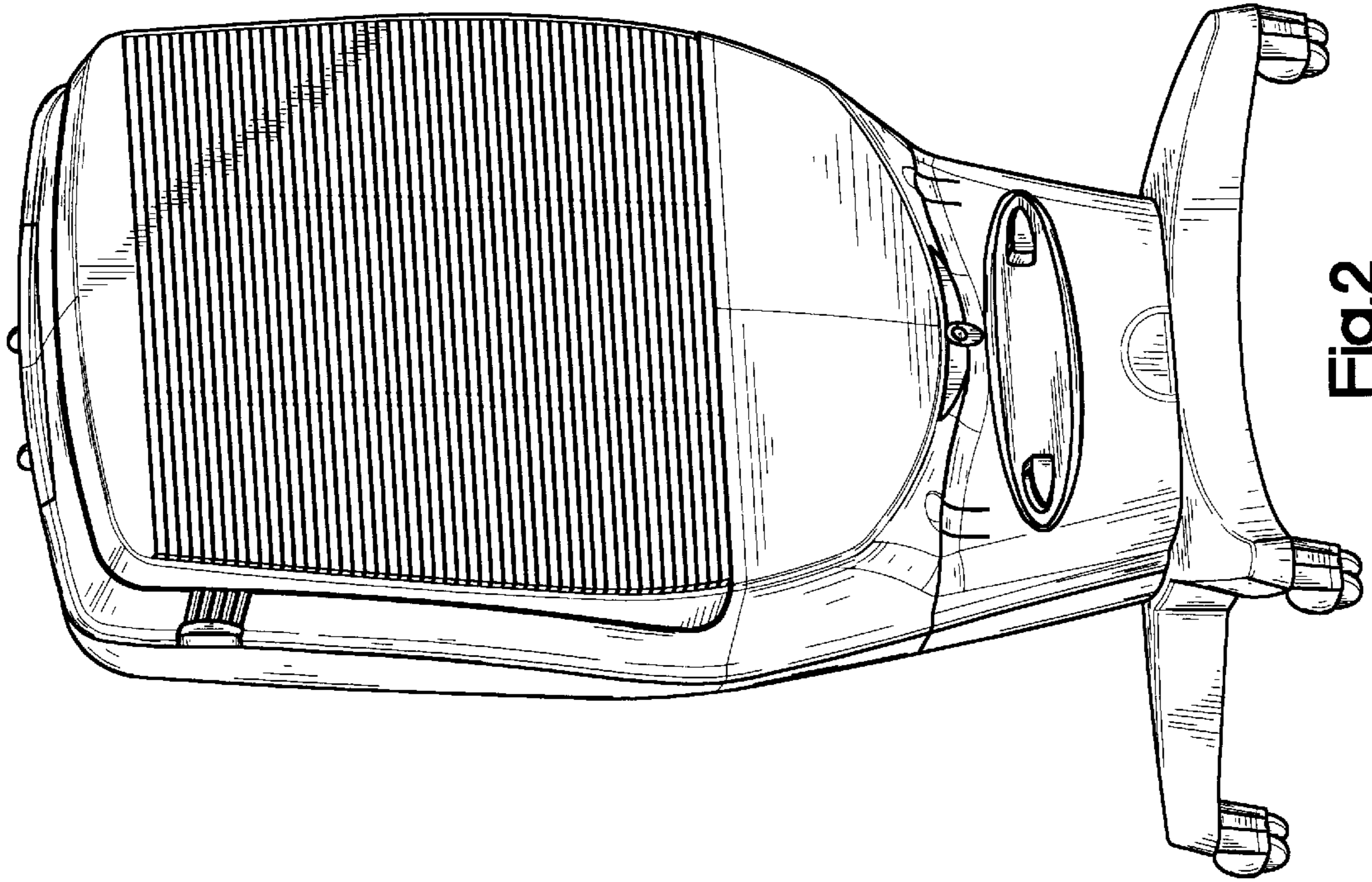
The ornamental design for an air cooler, as shown and described.

DESCRIPTION

FIG. 1 is a perspective view as seen from the front and right side of the air cooler of this invention;
 FIG. 2 is a perspective view as seen from the rear and left side of the air cooler of this invention;
 FIG. 3 is a front perspective view as seen from the front and left side thereof;
 FIG. 4 is a perspective view as seen from the rear and the left side thereof;
 FIG. 5 is a left side elevational view, the right side being a mirror image thereof;
 FIG. 6 is a top view thereof;
 FIG. 7 is a bottom view;
 FIG. 8 is a front view thereof; and,
 FIG. 9 is a rear view thereof.

1 Claim, 5 Drawing Sheets





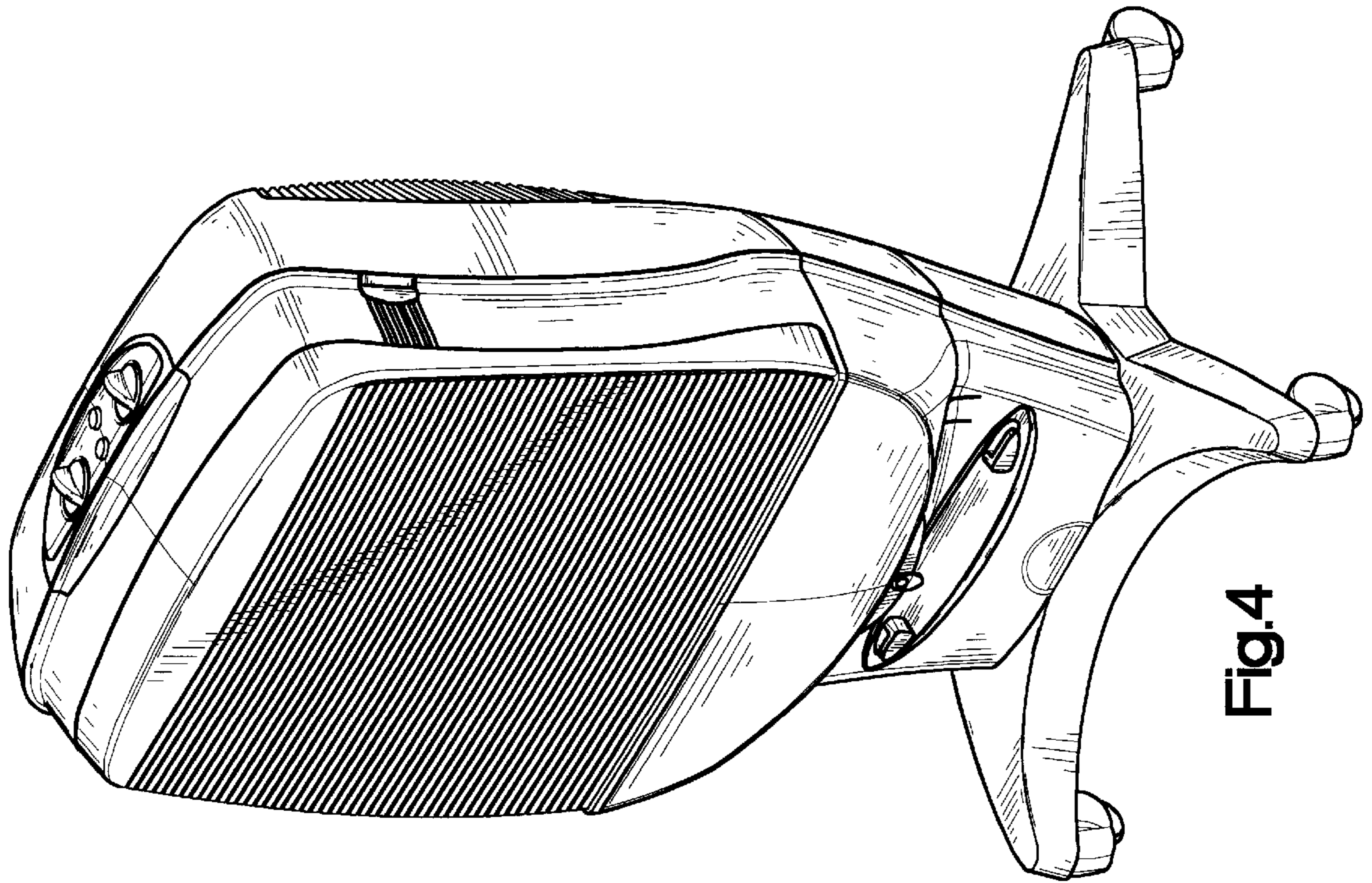


Fig.4

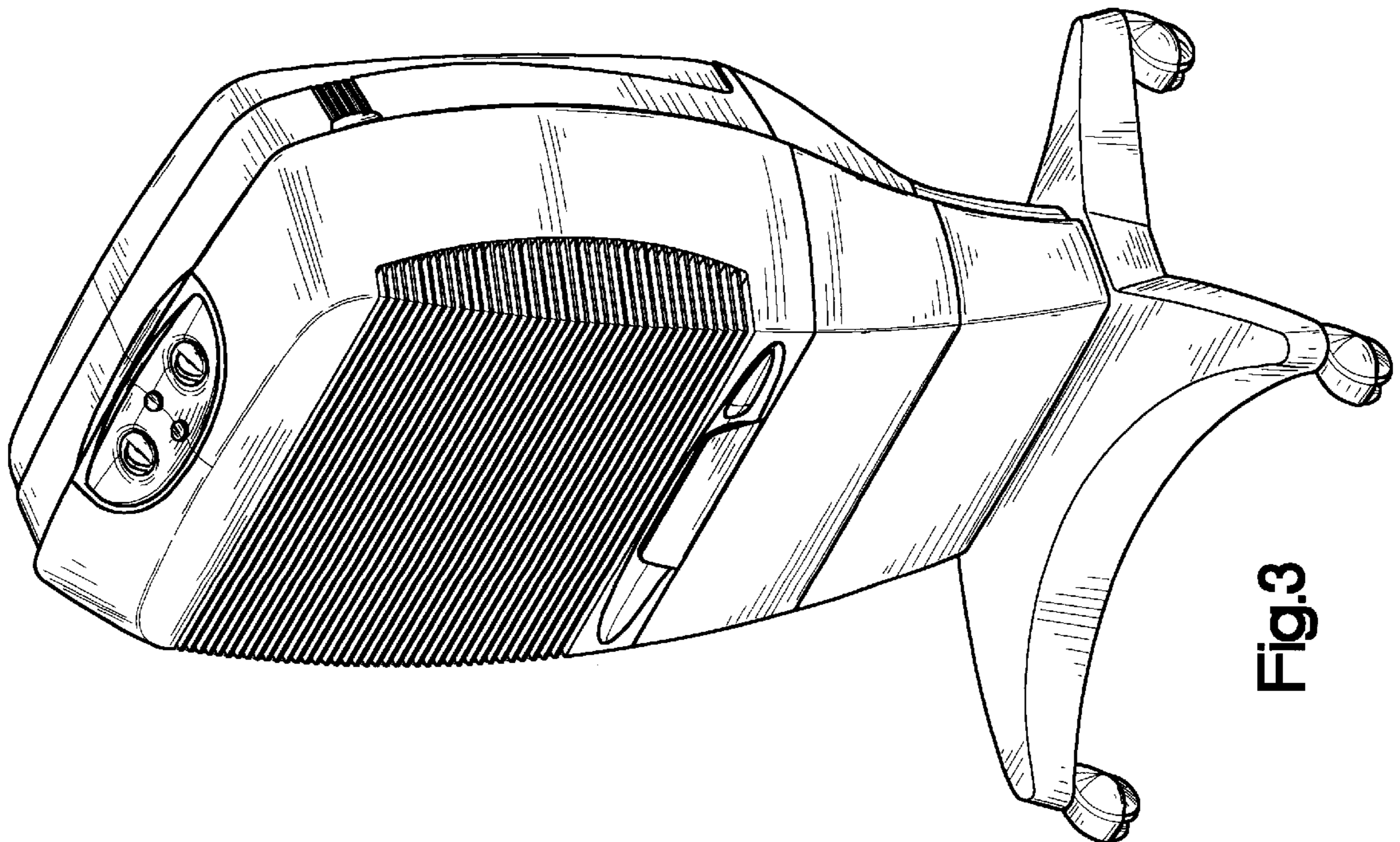


Fig.3

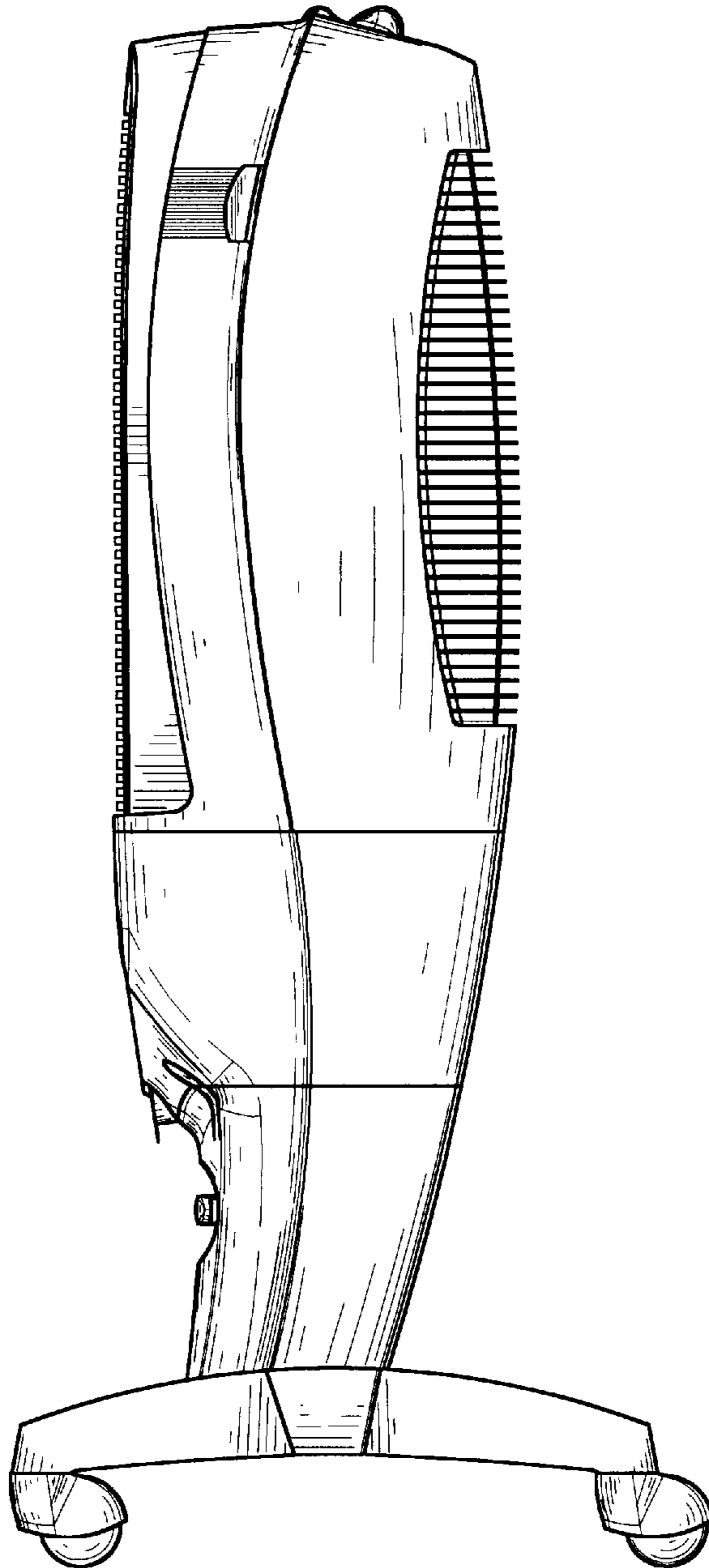


Fig.5

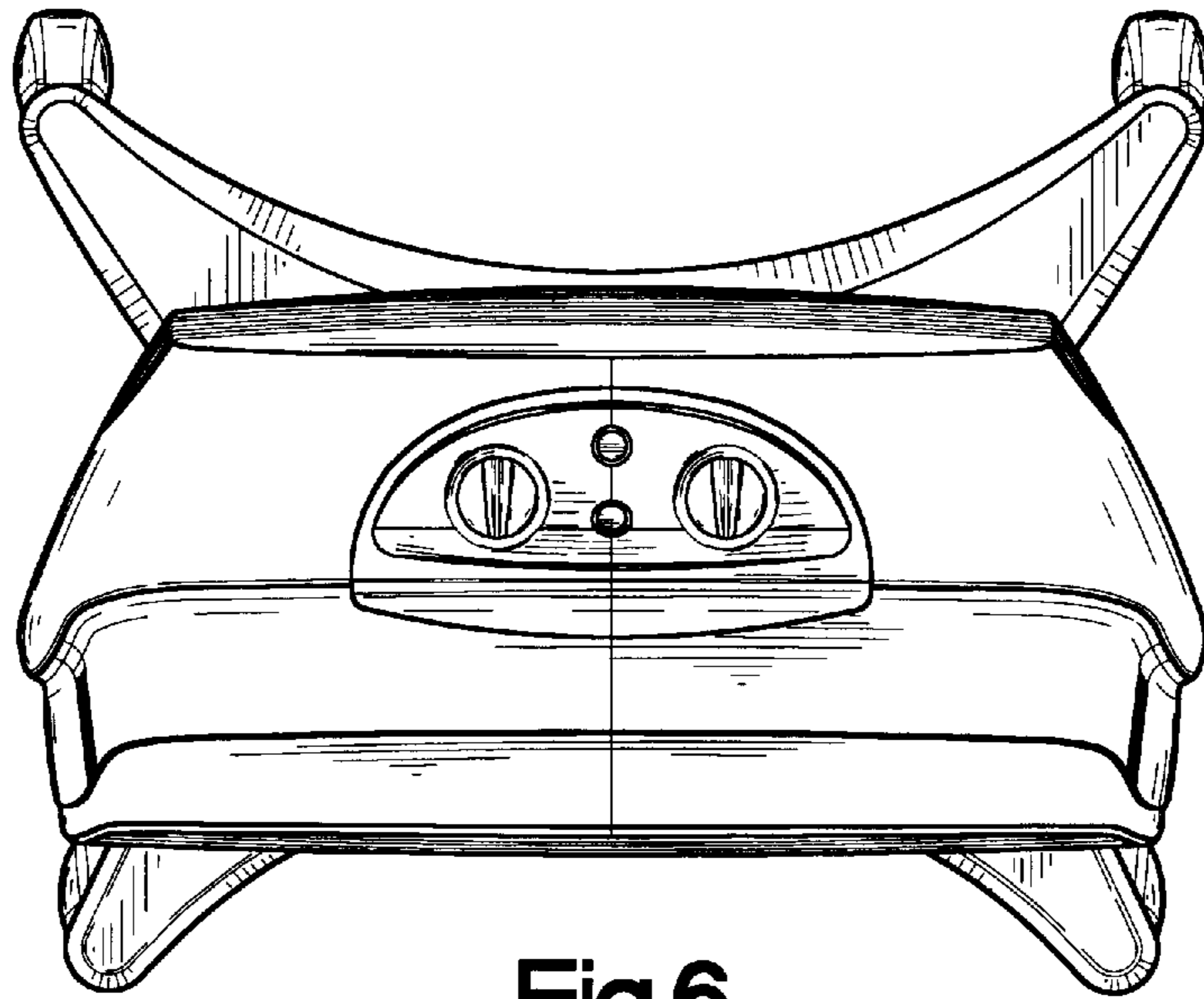


Fig.6

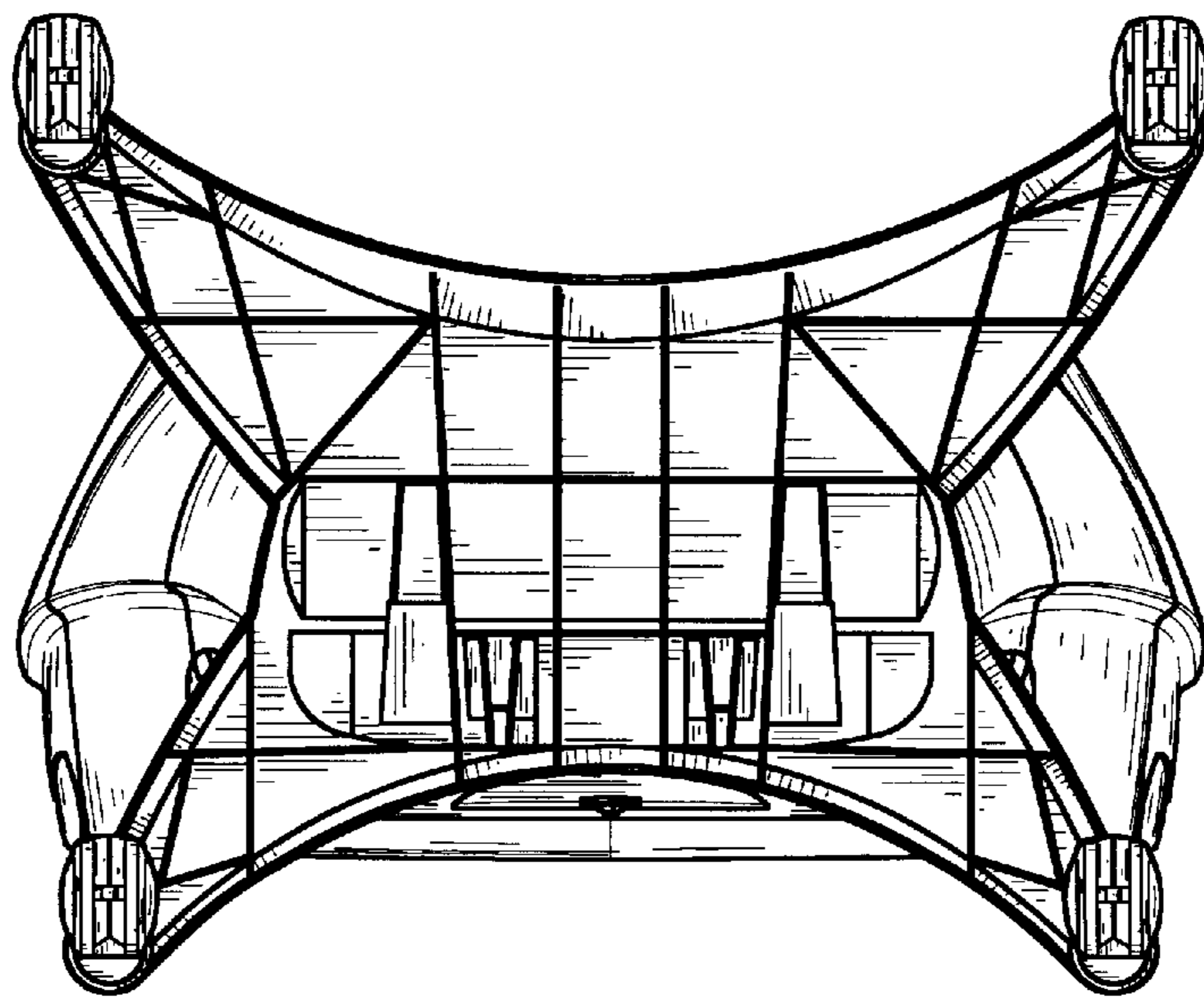


Fig.7

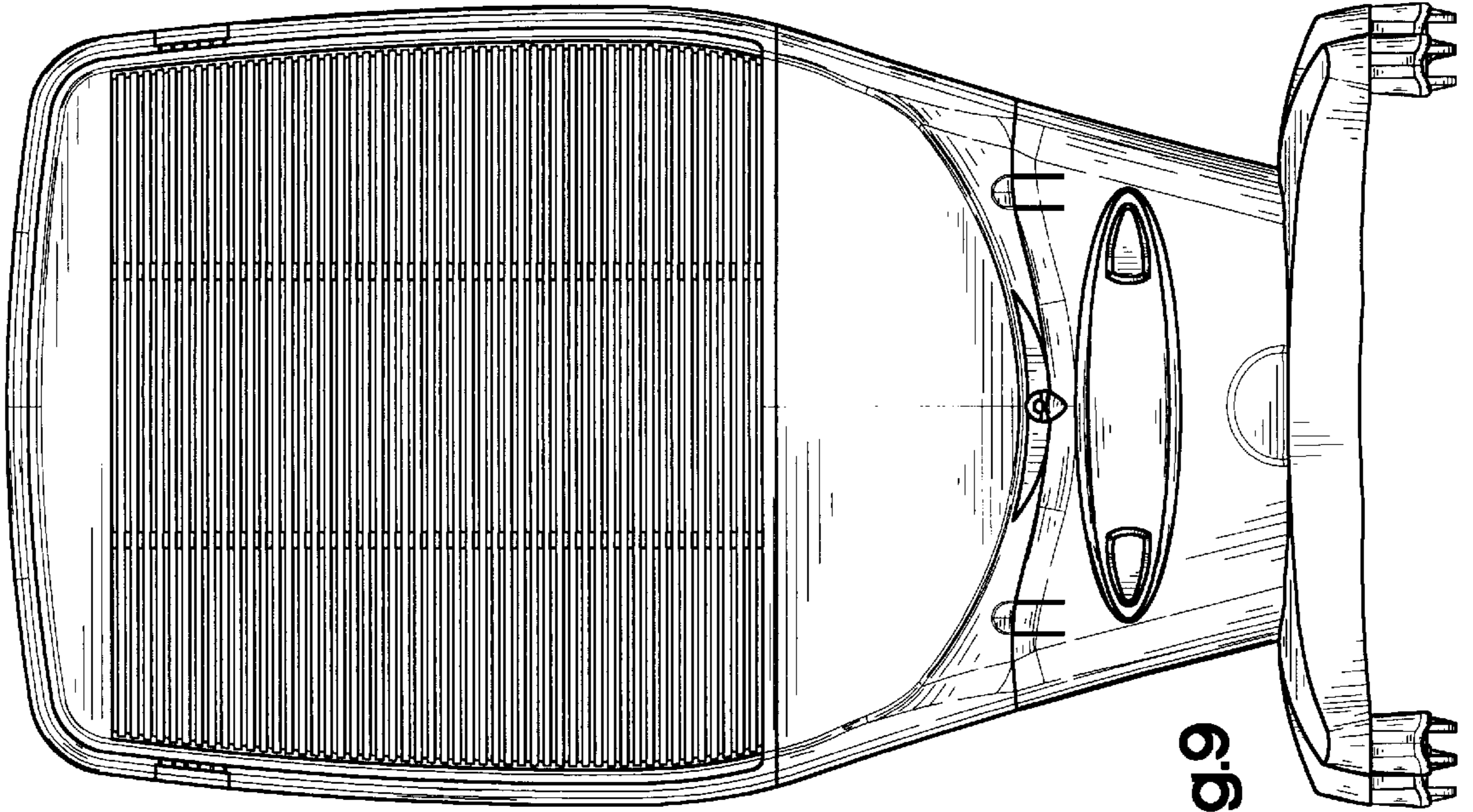


Fig.9

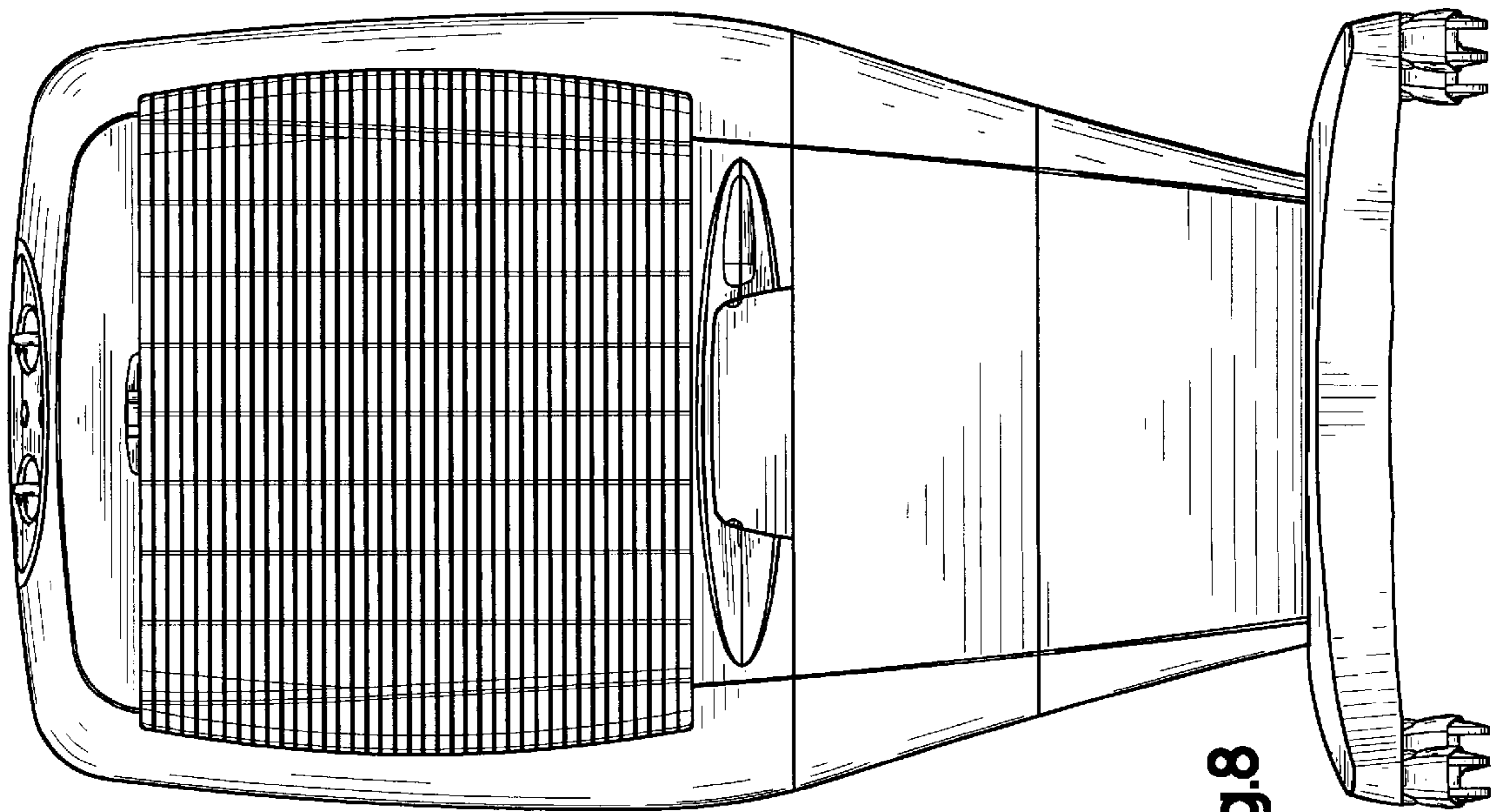


Fig.8