



US00D407151S

United States Patent [19] Chiu

[11] **Patent Number: Des. 407,151**

[45] **Date of Patent: **Mar. 23, 1999**

[54] **TOILET**

D. 390,930 2/1998 Slottower D23/295
D. 392,725 3/1998 Gared D23/285

[75] Inventor: **Hong-Yu Chiu**, Taipei, Taiwan

[73] Assignee: **Hocheng Corporation**, Taichung, Taiwan

[**] Term: **14 Years**

Primary Examiner—Louis S. Zarfes
Assistant Examiner—Eric Watterson
Attorney, Agent, or Firm—Birch, Stewart, Kolasch & Birch, LLP

[21] Appl. No.: **87,989**

[57] **CLAIM**

The ornamental design for a toilet, as shown and described.

[22] Filed: **May 13, 1998**

DESCRIPTION

[51] **LOC (6) Cl.** **23-02**

[52] **U.S. Cl.** **D23/301**

[58] **Field of Search** D23/295, 298,
D23/299, 300, 301; 4/353, 300, 421, 424,
428, 430, 604, DIG. 2

FIG. 1 is a left front perspective view of a toilet showing my new design;

FIG. 2 is a front elevational view thereof;

FIG. 3 is a rear elevational view thereof;

FIG. 4 is a left side elevational view thereof;

FIG. 5 is a right side elevational view thereof;

FIG. 6 is a top plan view thereof; and,

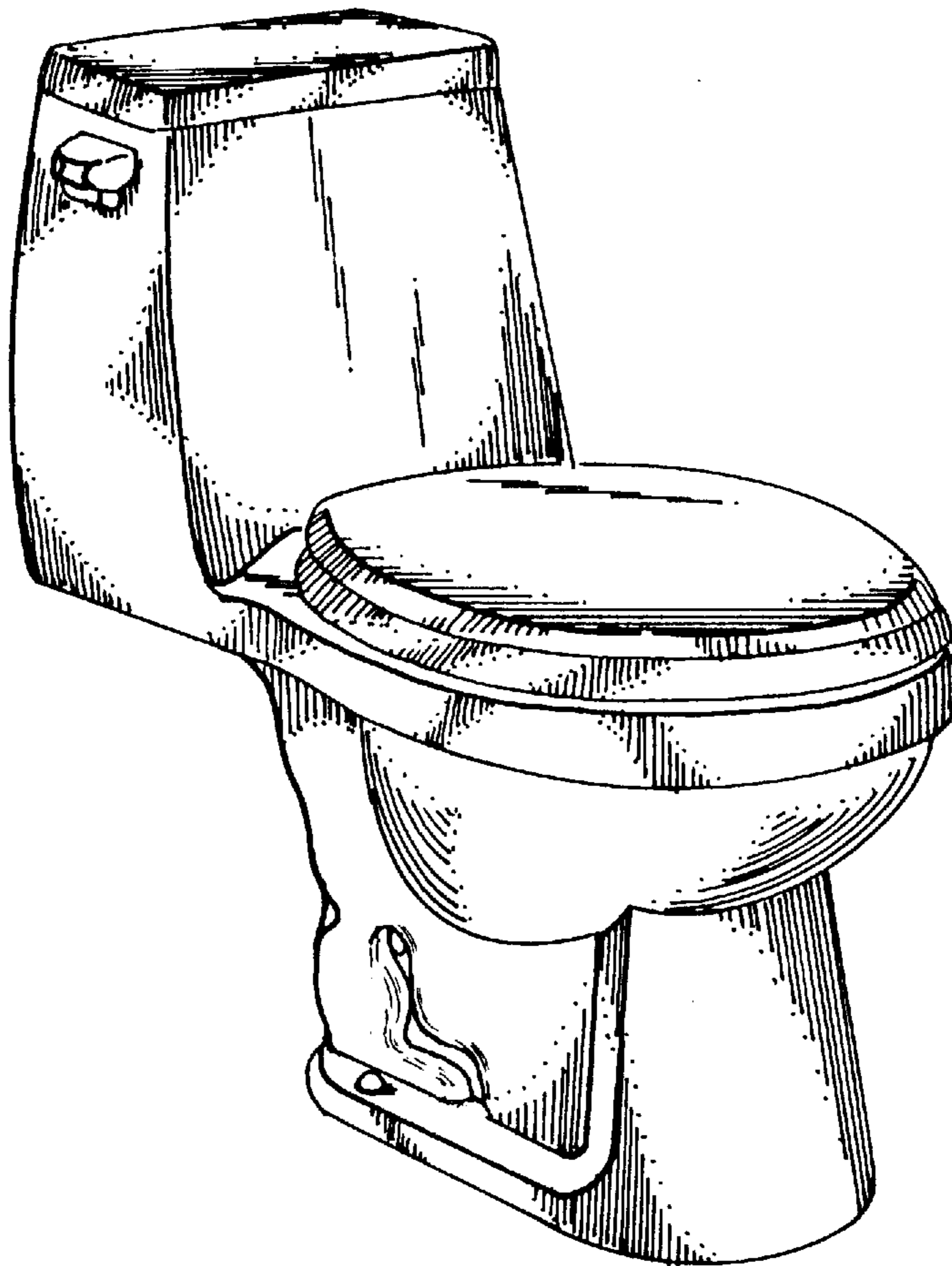
FIG. 7 is a bottom plan view thereof.

[56] **References Cited**

U.S. PATENT DOCUMENTS

D. 101,536 10/1936 Korstadt D23/301
D. 296,874 7/1988 Holscaer D23/301

1 Claim, 4 Drawing Sheets



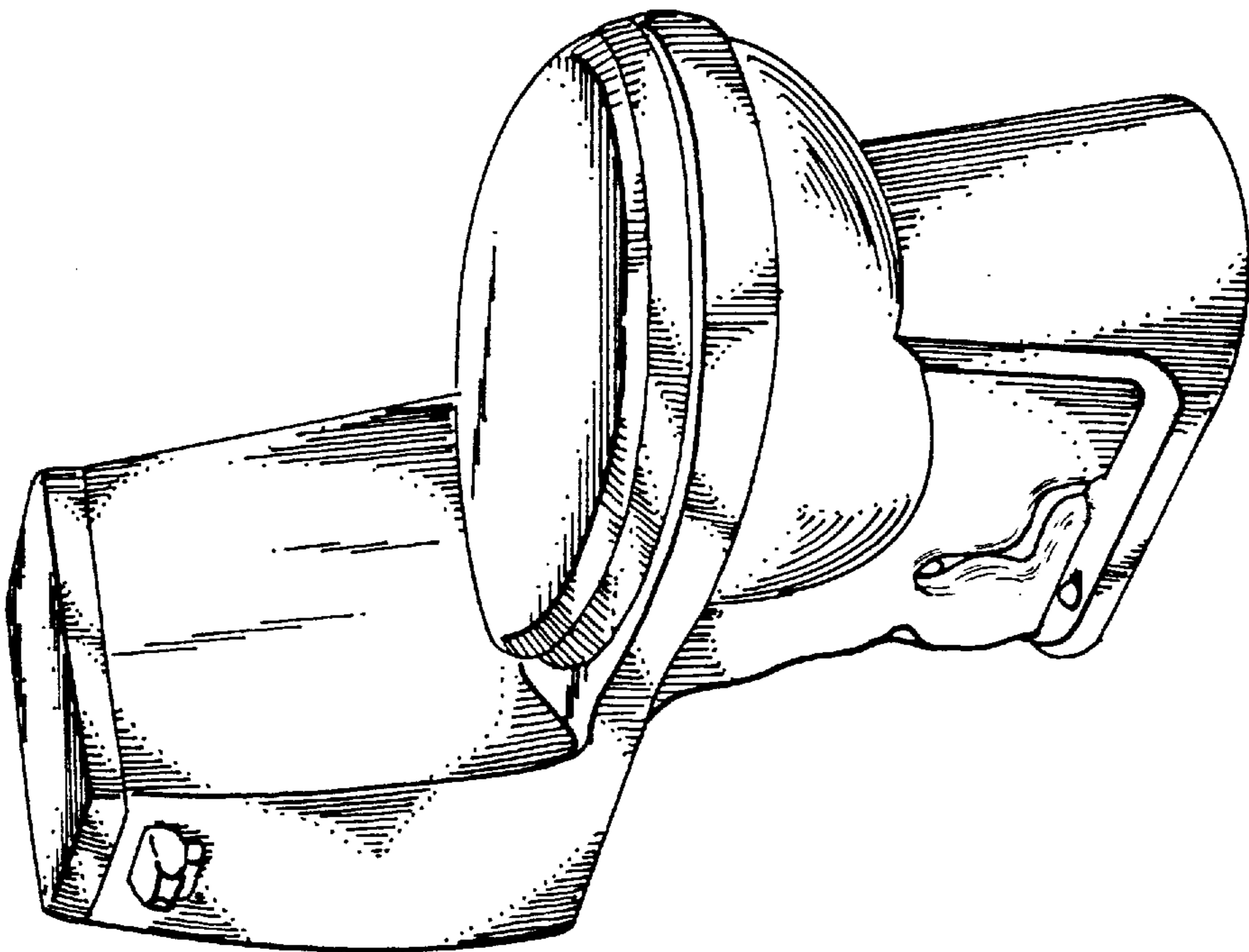


FIG. 1

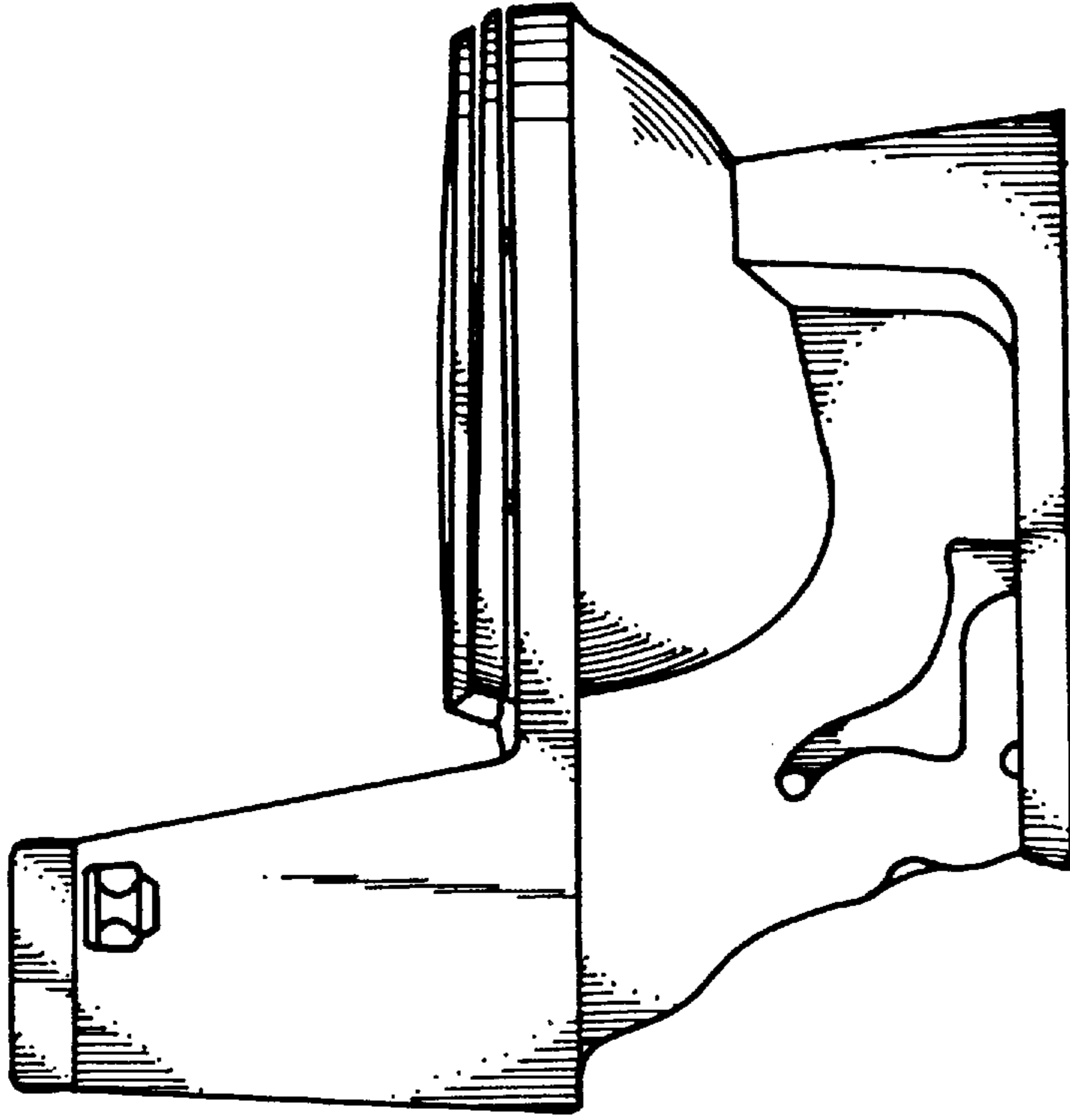


FIG. 4

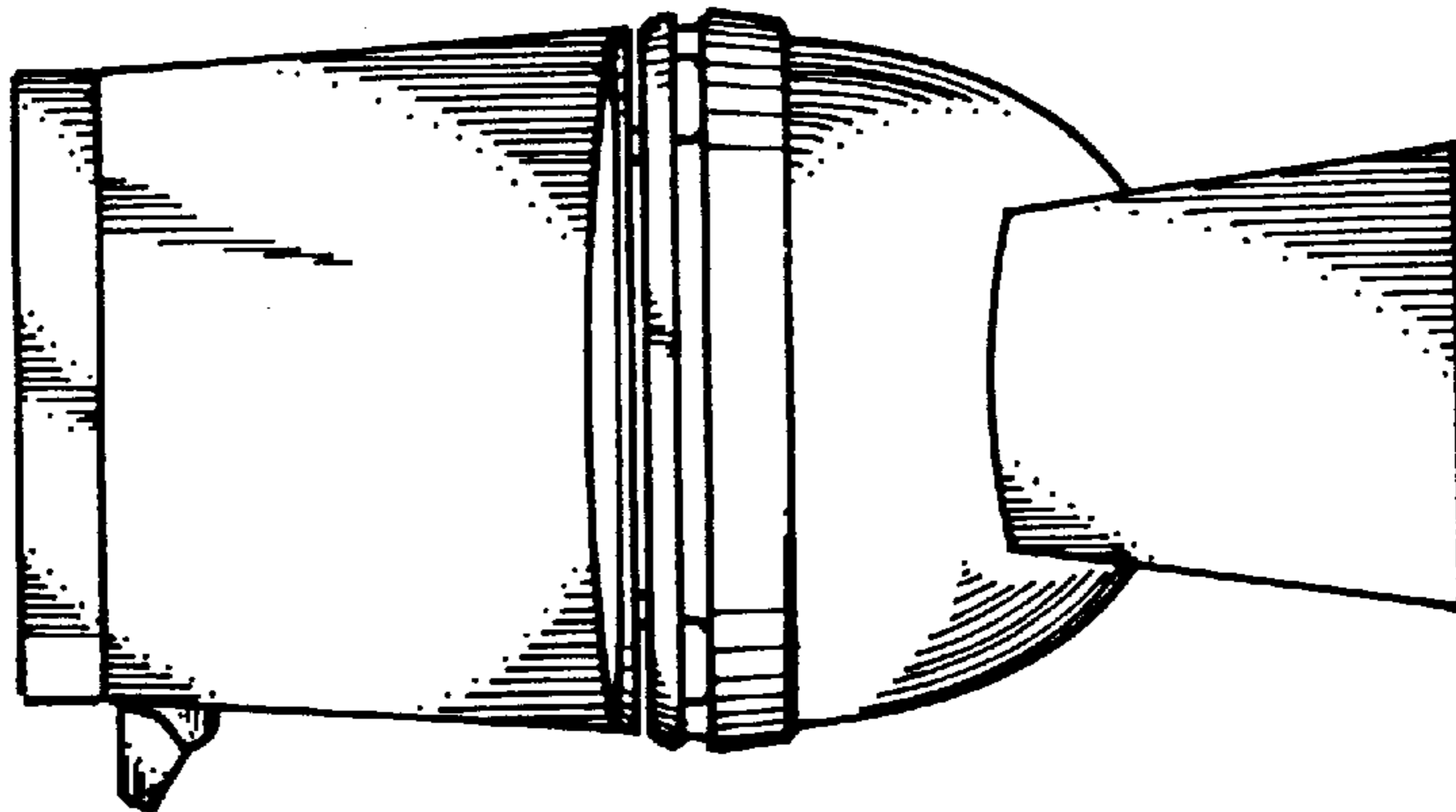


FIG. 2

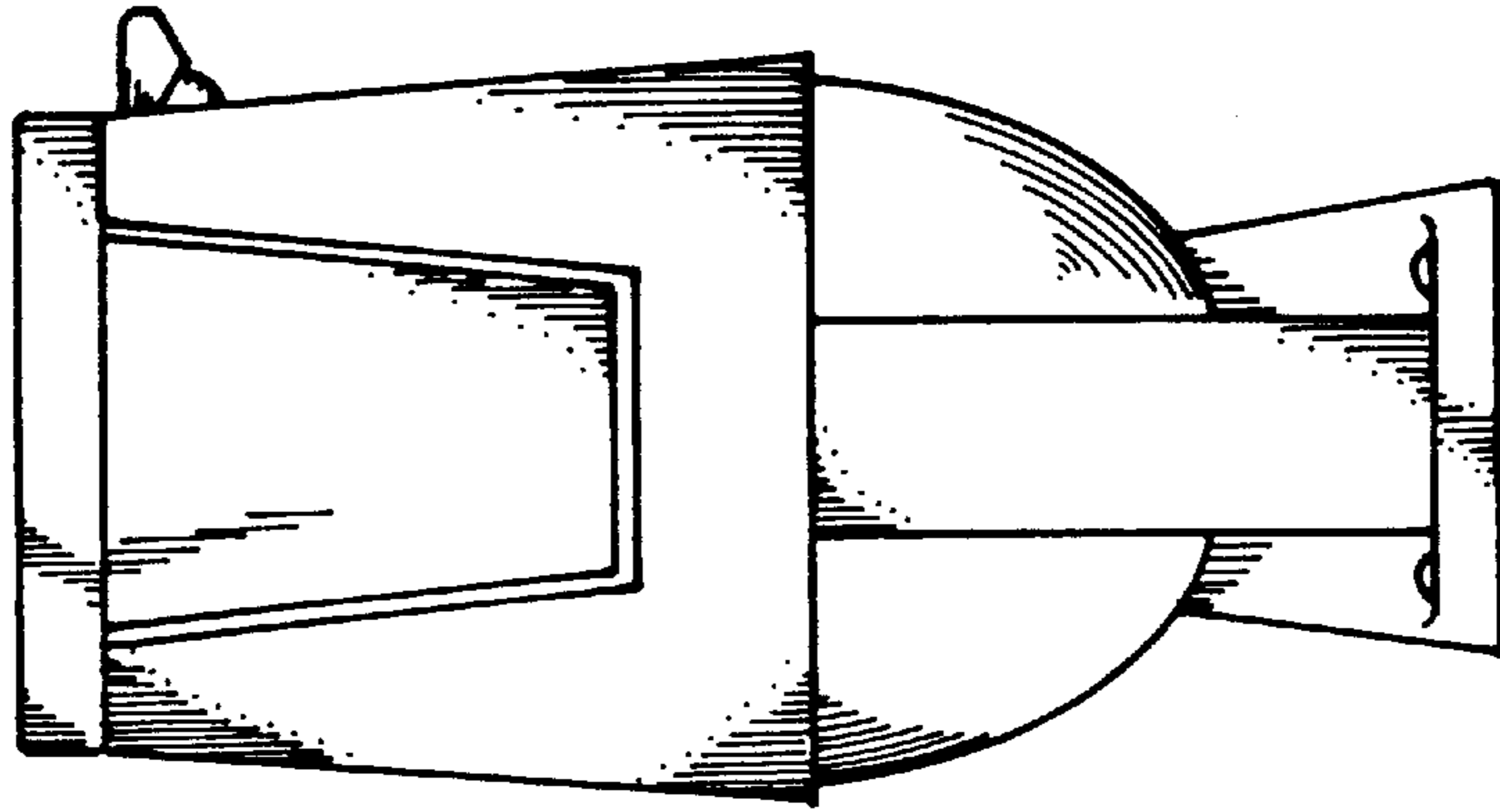


FIG. 3

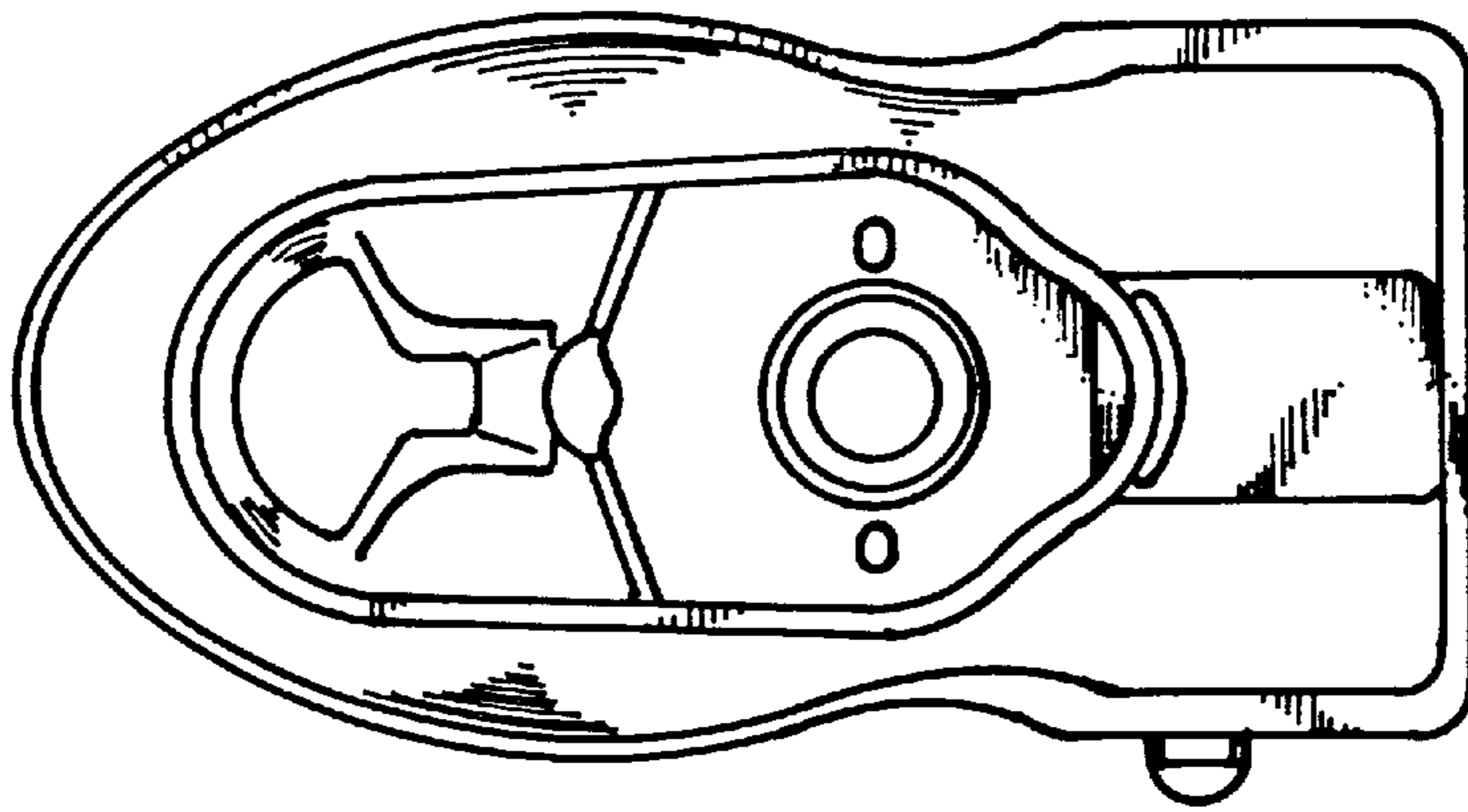


FIG. 7

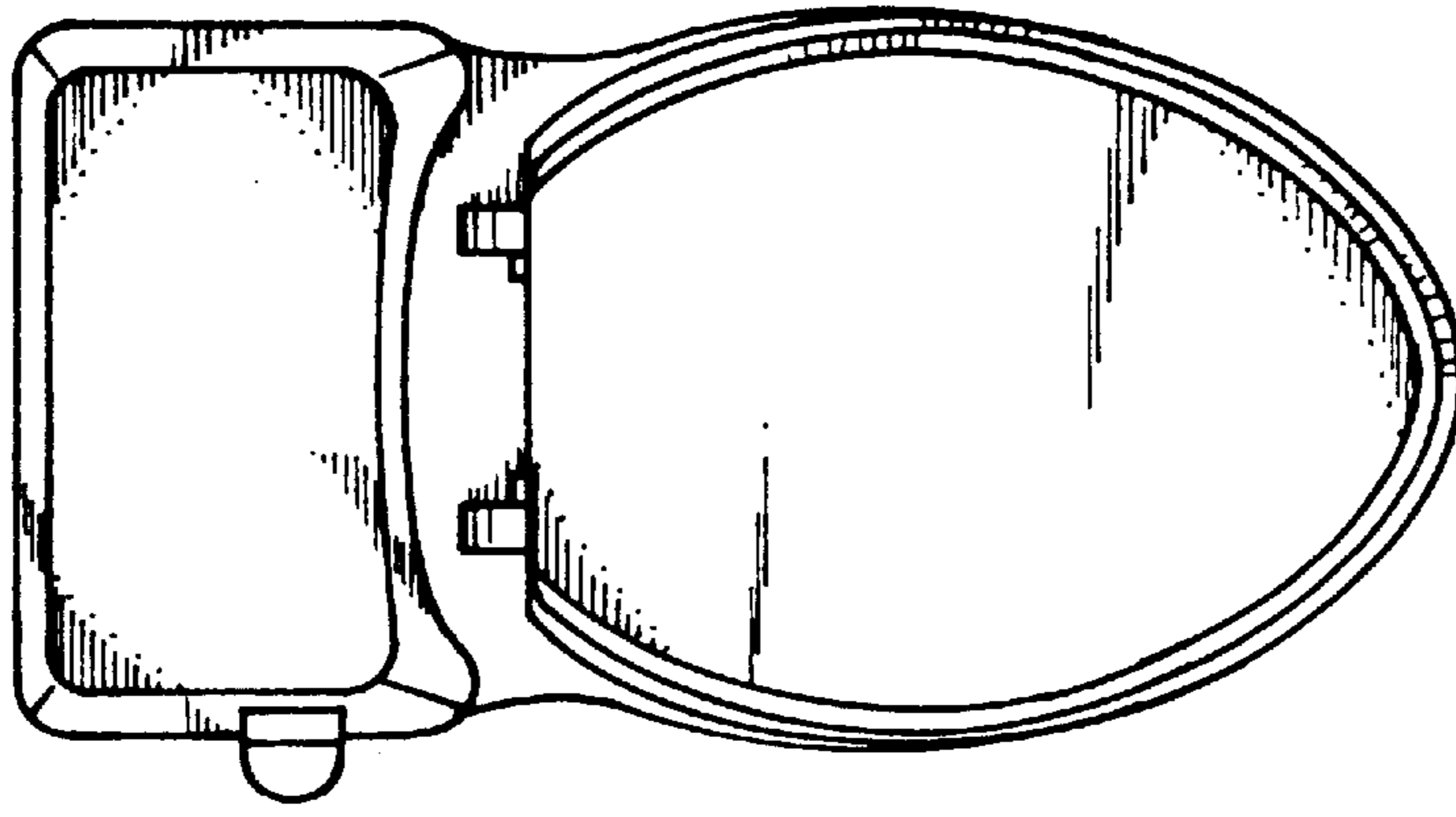


FIG. 6

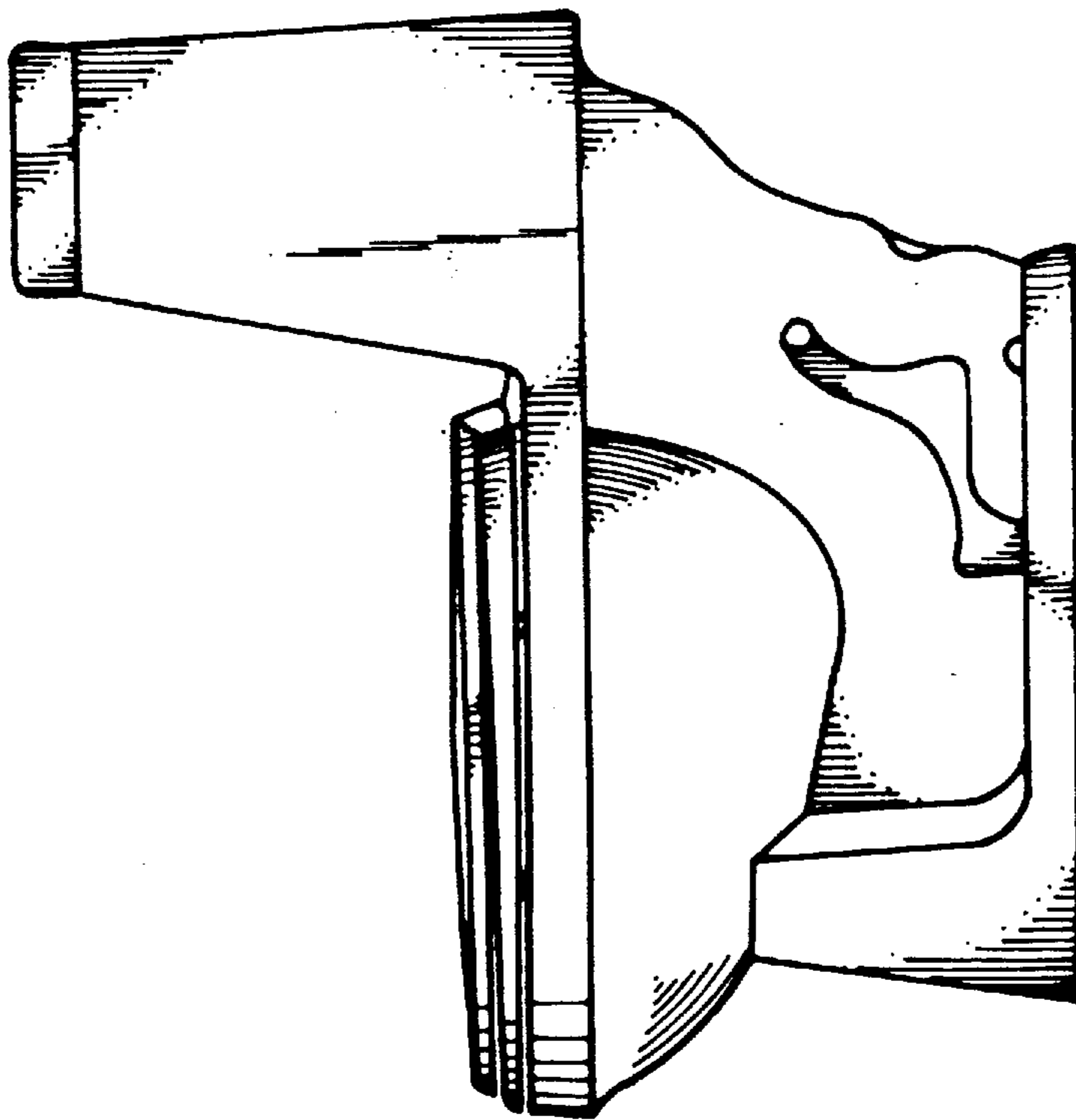


FIG. 5