



US00D407149S

# United States Patent [19] Cuttriss

[11] Patent Number: **Des. 407,149**

[45] Date of Patent: **\*\*Mar. 23, 1999**

[54] VANITY

[75] Inventor: **Rik Cuttriss**, Fillmore, Calif.

[73] Assignee: **Gruber Systems, Inc.**, Valencia, Calif.

[\*\*] Term: **14 Years**

[21] Appl. No.: **88,510**

[22] Filed: **May 26, 1998**

D. 320,264	9/1991	Lenahan	.....	D23/294
D. 351,460	10/1994	Kouler, Jr. et al.	.....	D23/284
D. 384,135	9/1997	Thomas	.....	D23/284
D. 386,566	11/1997	Zawkow	.....	D23/284

*Primary Examiner*—Louis S. Zarfes  
*Assistant Examiner*—Eric Watterson  
*Attorney, Agent, or Firm*—Oppenheimer Wolff & Donnelly LLP

### Related U.S. Application Data

[62] Division of Ser. No. 67,794, Mar. 12, 1997.

[51] **LOC (6) Cl.** ..... **23-01**

[52] **U.S. Cl.** ..... **D23/284**

[58] **Field of Search** ..... D23/284, 285,  
D23/280, 281, 282, 283.1; 4/619, 624,  
628, 638-650

### [56] References Cited

#### U.S. PATENT DOCUMENTS

D. 232,638	9/1974	Mother	.....	D23/284
D. 274,456	6/1984	Cuttriss	.....	D23/55
D. 320,262	9/1991	Cuttriss	.....	D23/294

### [57] CLAIM

The ornamental design for a vanity, as shown and described.

### DESCRIPTION

FIG. 1 is a left front elevational view of a vanity showing my new design, the right front elevational view being a mirror image thereof;

FIG. 2 is a top plan view of the vanity of FIG. 1;

FIG. 3 is a front elevational view thereof; and,

FIG. 4 is a rear elevational view thereof; and,

FIG. 5 is a cross-sectional view taken along lines 5—5 of FIG. 2.

The broekn line showing is for illustrative purposes only and forms no part of the claimed design.

**1 Claim, 2 Drawing Sheets**

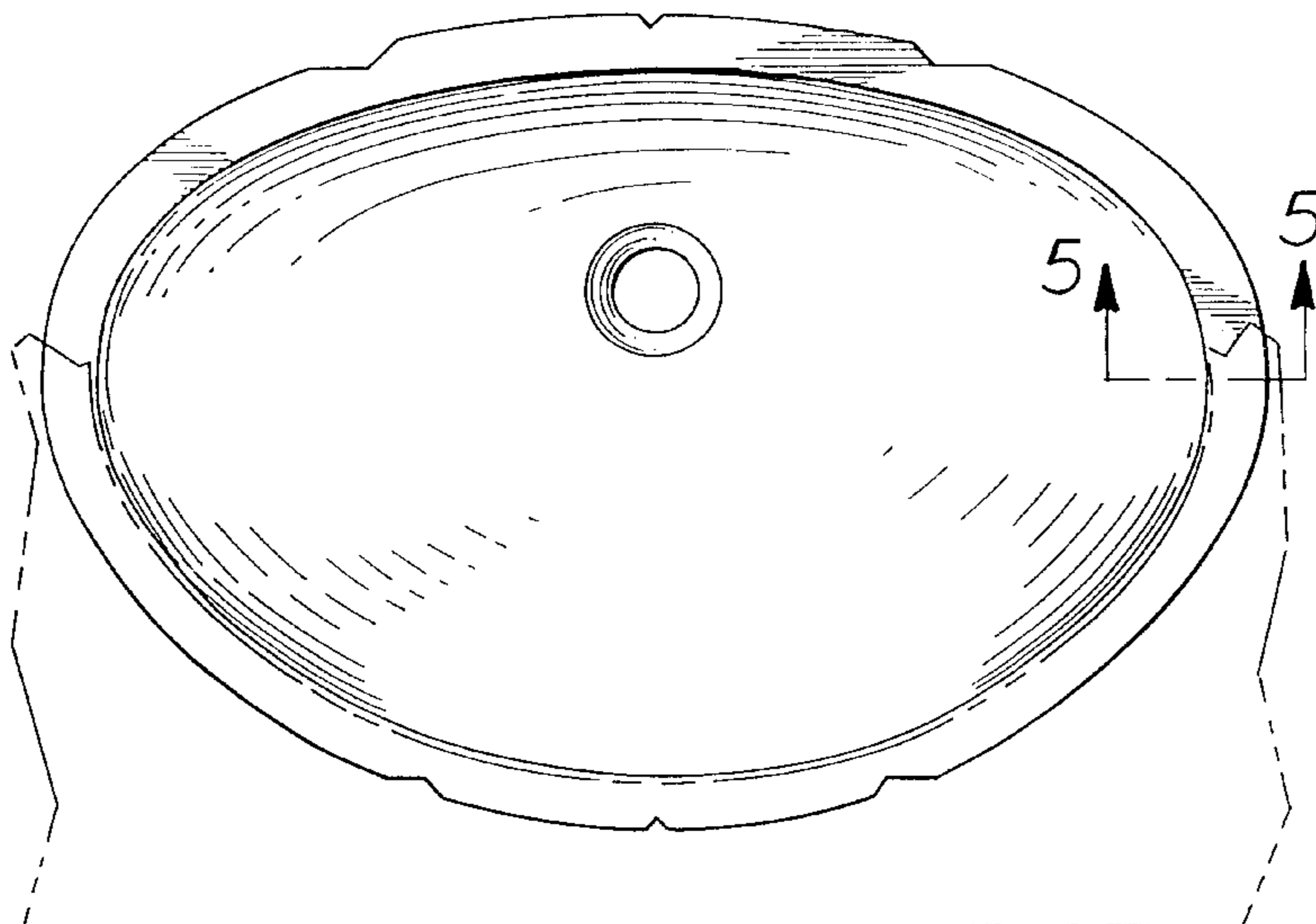
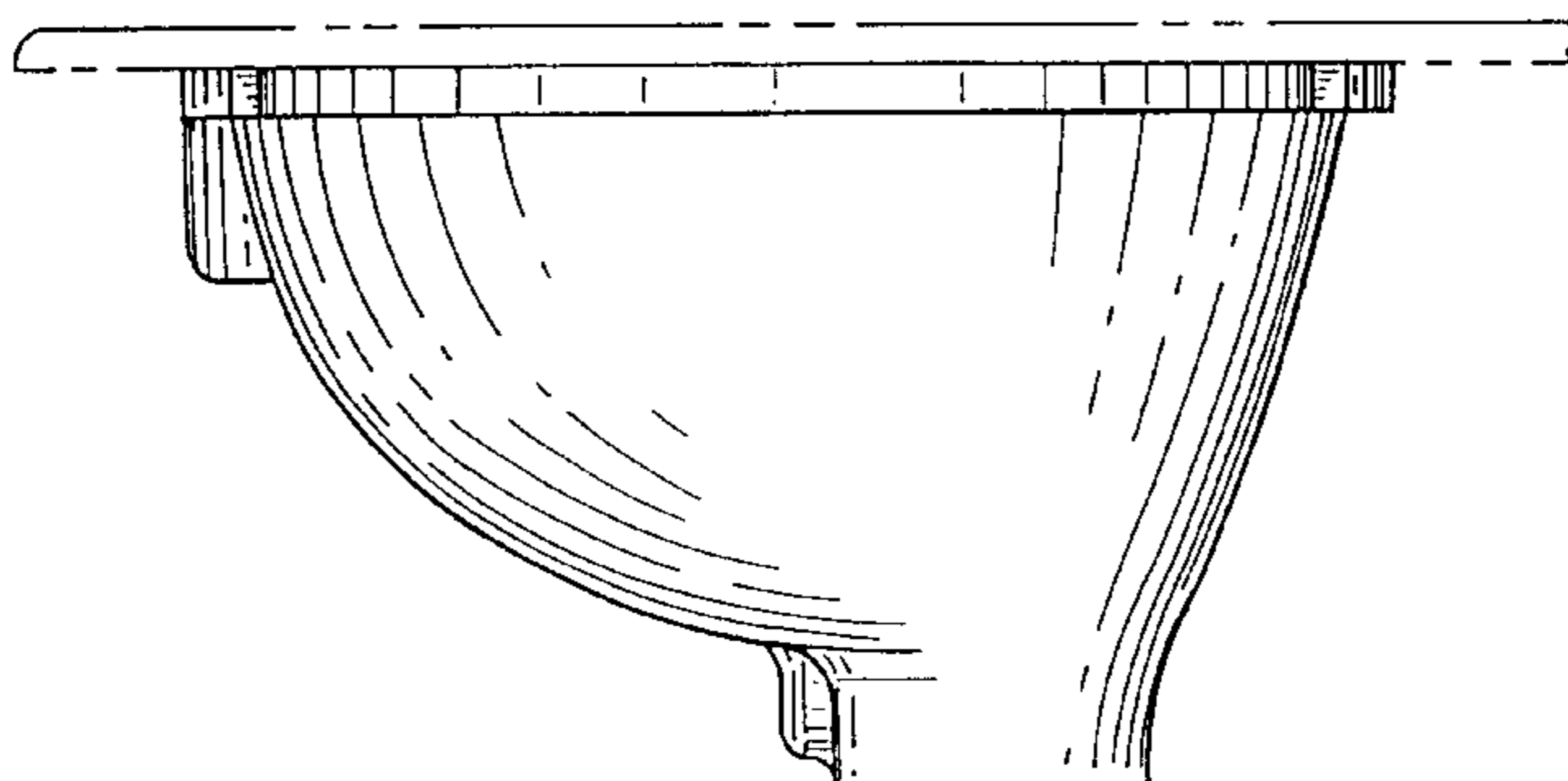


FIG. 1

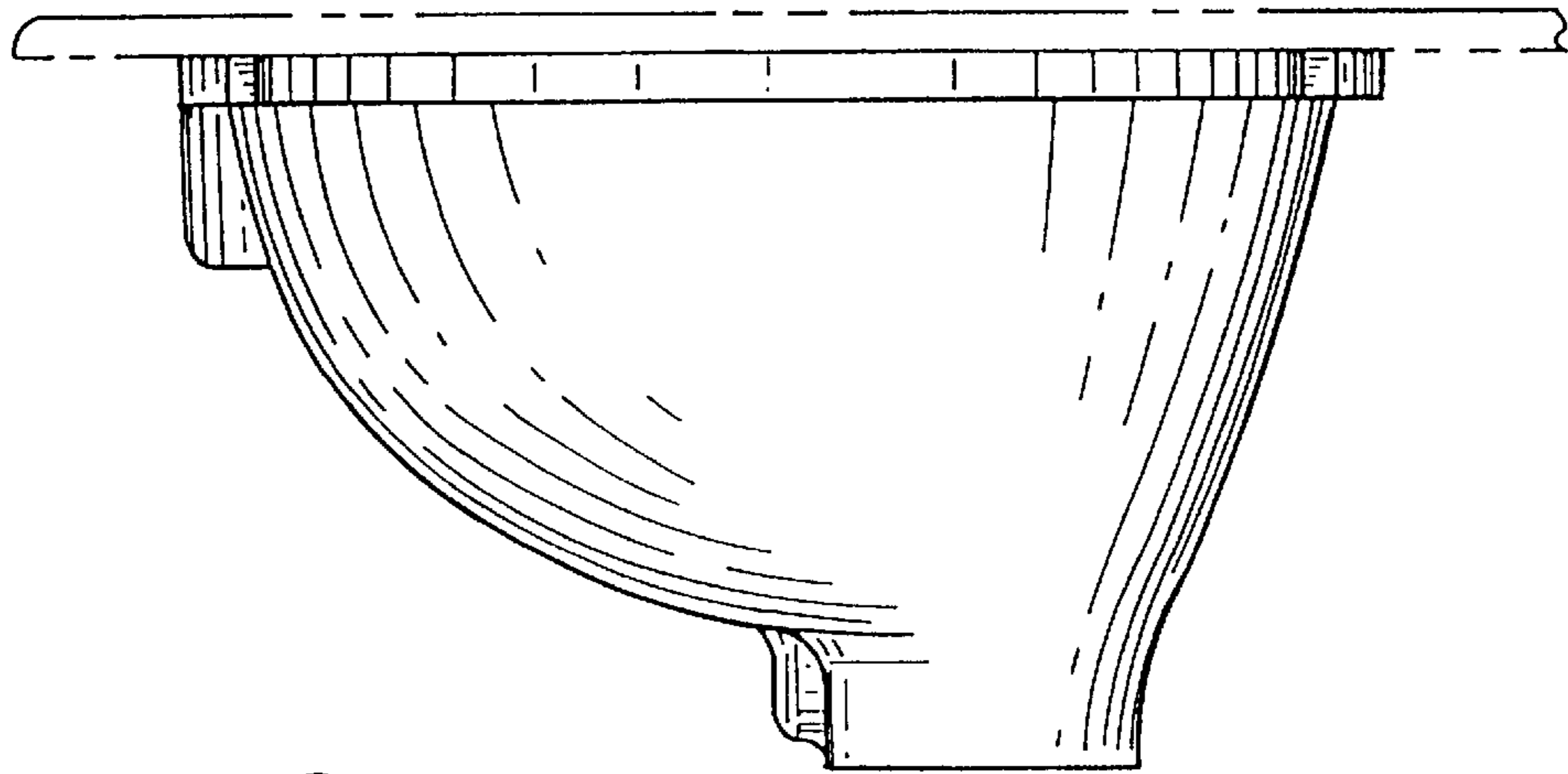


FIG. 2

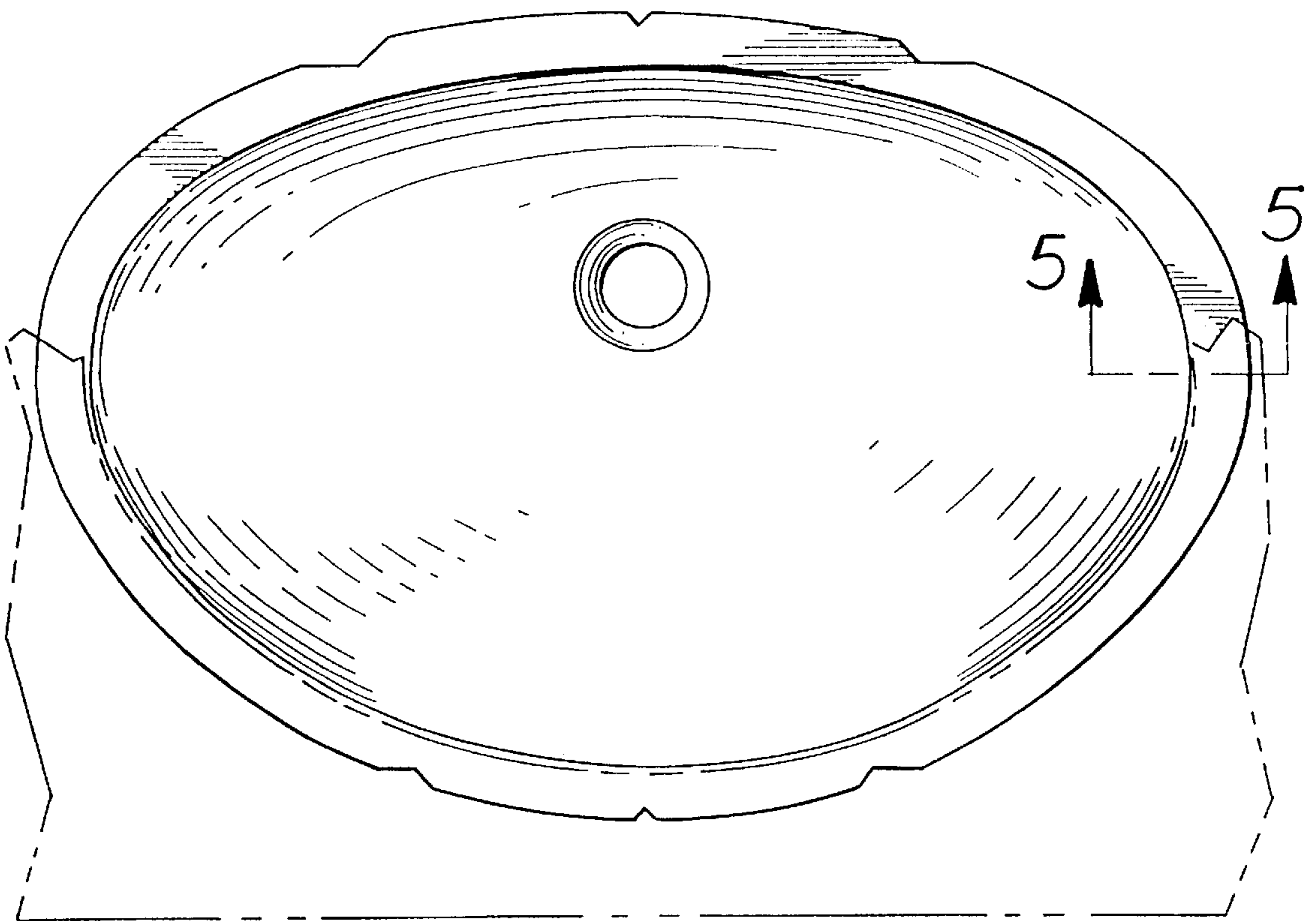


FIG. 3

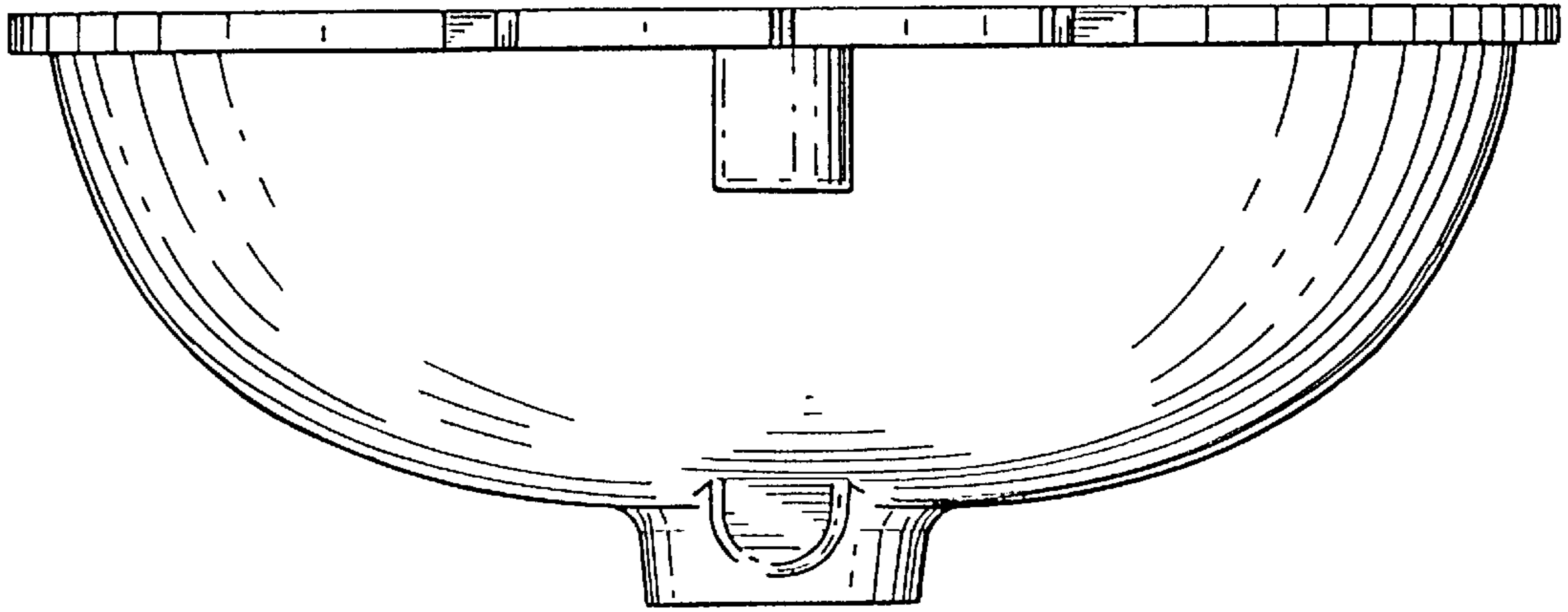


FIG. 4

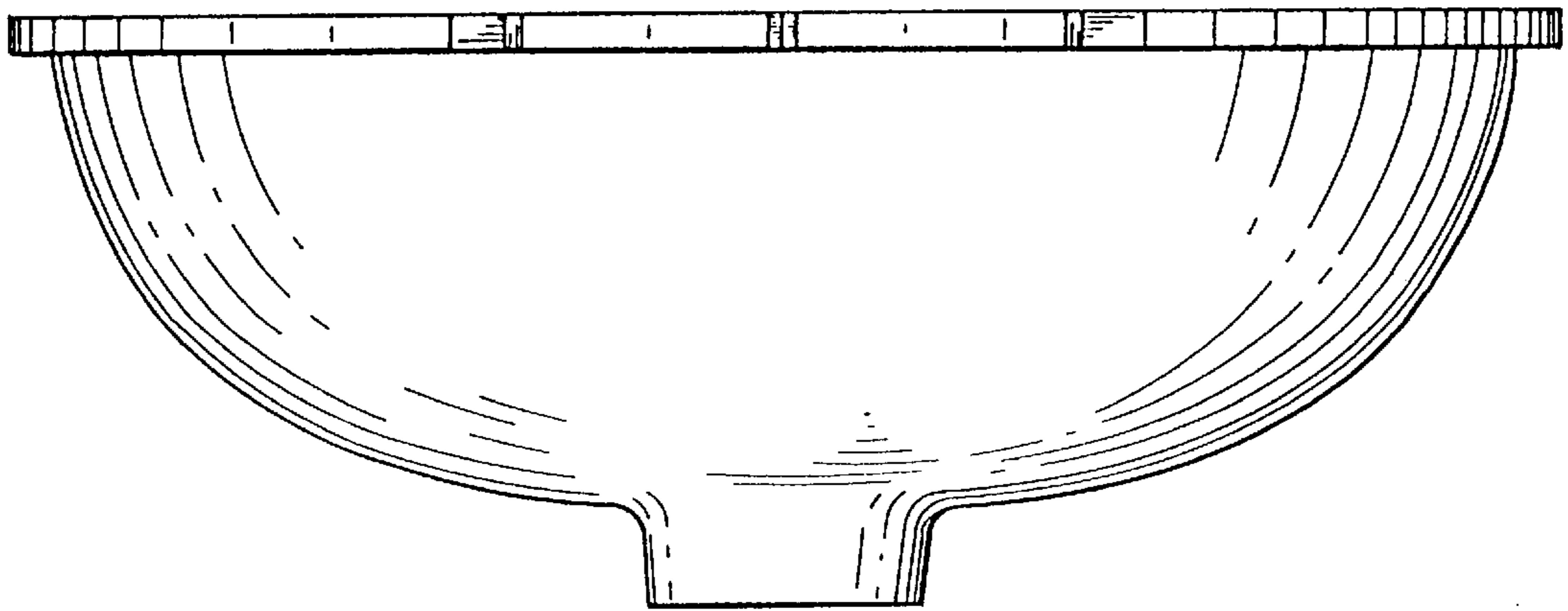


FIG. 5

