



US00D407146S

**United States Patent** [19]  
**Kehlbeck**

[11] **Patent Number: Des. 407,146**

[45] **Date of Patent: \*\*Mar. 23, 1999**

[54] **COMBINED VALVE HOUSING AND CAP**

[75] Inventor: **Hans Kehlbeck**, Bremen, Germany

[73] Assignee: **Gestra GmbH**, Bremen, Germany

[\*\*] Term: **14 Years**

[21] Appl. No.: **89,050**

[22] Filed: **Jun. 5, 1998**

[30] **Foreign Application Priority Data**

Apr. 24, 1998 [XH] Hague Agreement ..... DM/43909

[51] **LOC (6) Cl.** ..... **23-01**

[52] **U.S. Cl.** ..... **D23/260**

[58] **Field of Search** ..... D23/259-269;  
141/346, 349; 137/797, 798; 251/149.1,  
149.6; 604/326, 411, 414, 415, 905; 285/3

[56] **References Cited**

**U.S. PATENT DOCUMENTS**

D. 181,332 11/1957 Anderson ..... D28/260

D. 205,338 7/1966 Kilbourn ..... D23/260

D. 357,307 4/1995 Ramacier, Jr. et al. .... D23/262

D. 367,702 3/1996 Martin ..... D23/260

D. 379,851 6/1997 Mathison ..... D23/260

*Primary Examiner*—Marcus A. Jackson  
*Attorney, Agent, or Firm*—Collard & Roe, P.C.

[57] **CLAIM**

The ornamental design for a combined valve housing and cap, as shown and described.

**DESCRIPTION**

FIG. 1 shows a perspective view of my design for a combined valve housing and cap;

FIG. 2 shows a front view thereof, with the rear view being identical;

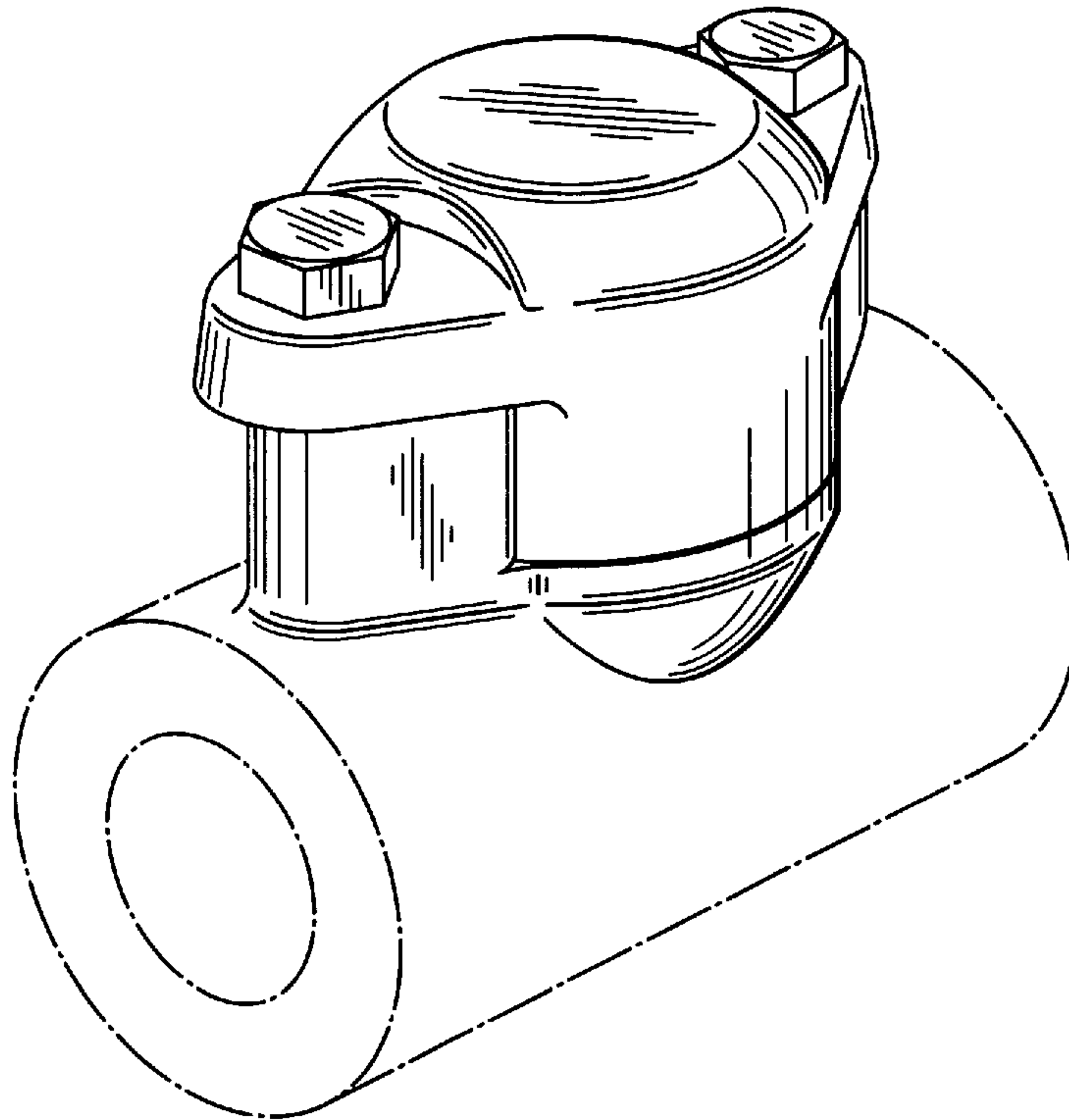
FIG. 3 shows a side view thereof, with the opposite side view being identical;

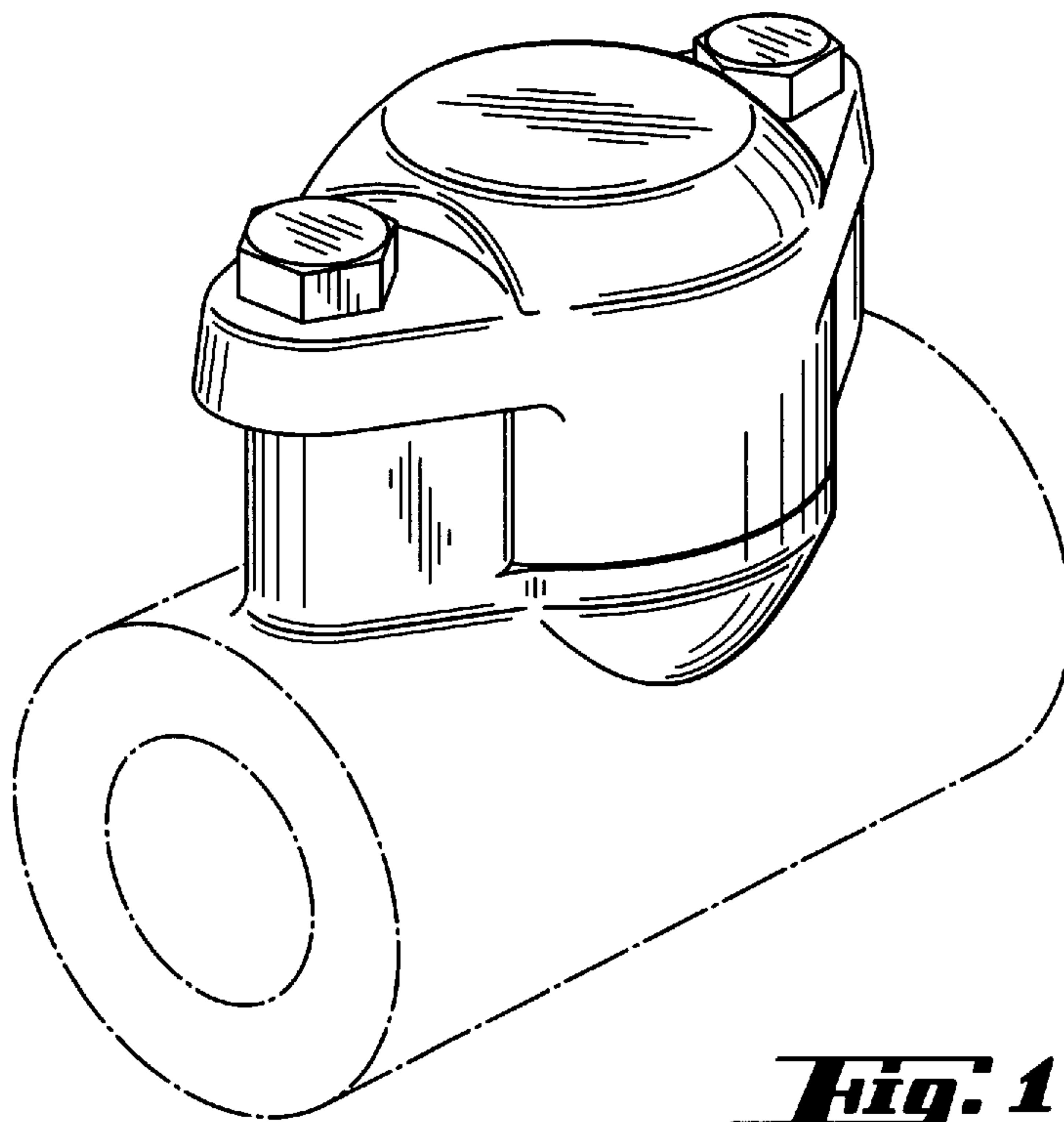
FIG. 4 shows a top view thereof; and,

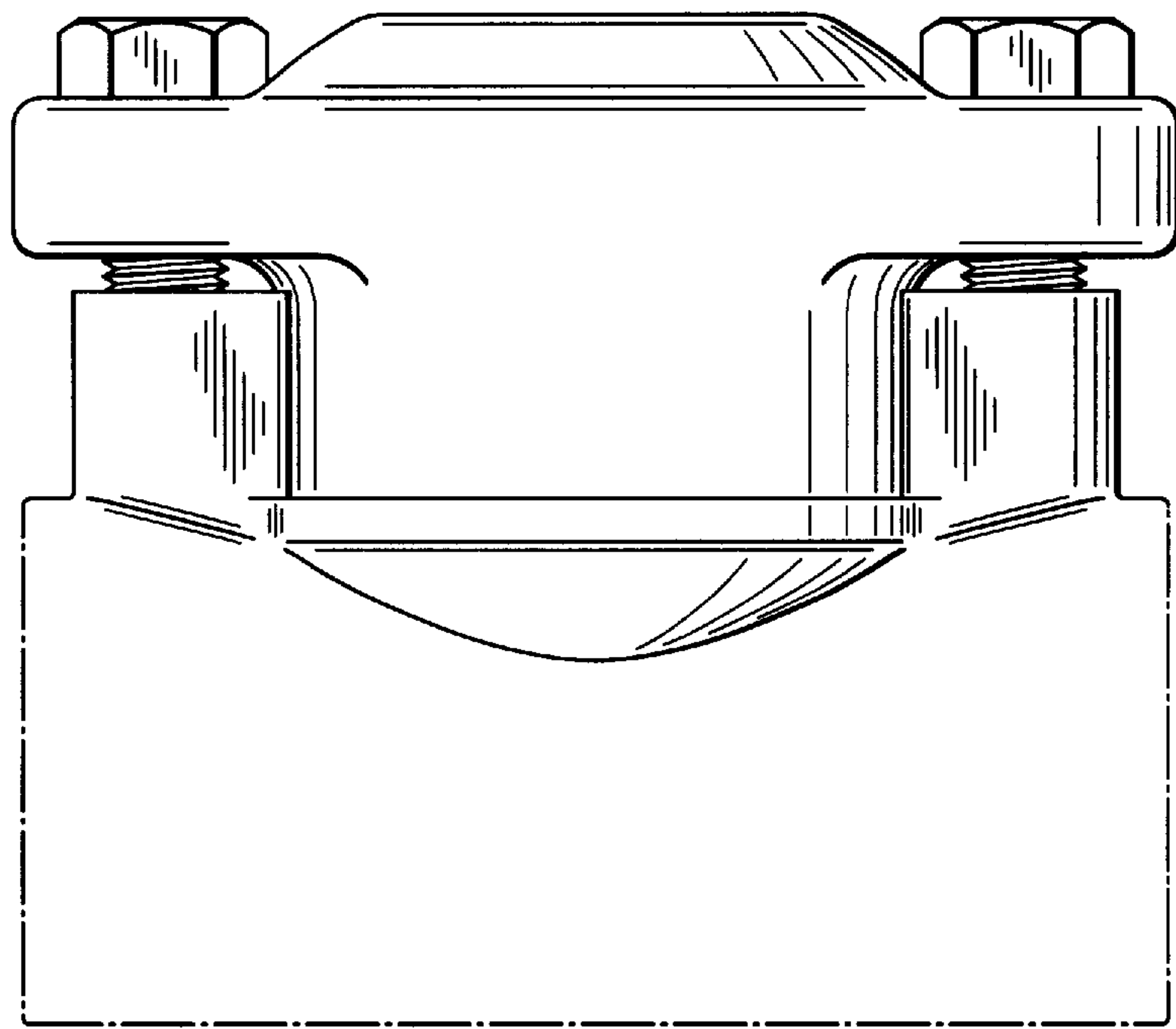
FIG. 5 shows a bottom view thereof.

The portion of the valve shown in dotted lines is for illustrative purposes only and does not form a part of the inventive design.

**1 Claim, 3 Drawing Sheets**

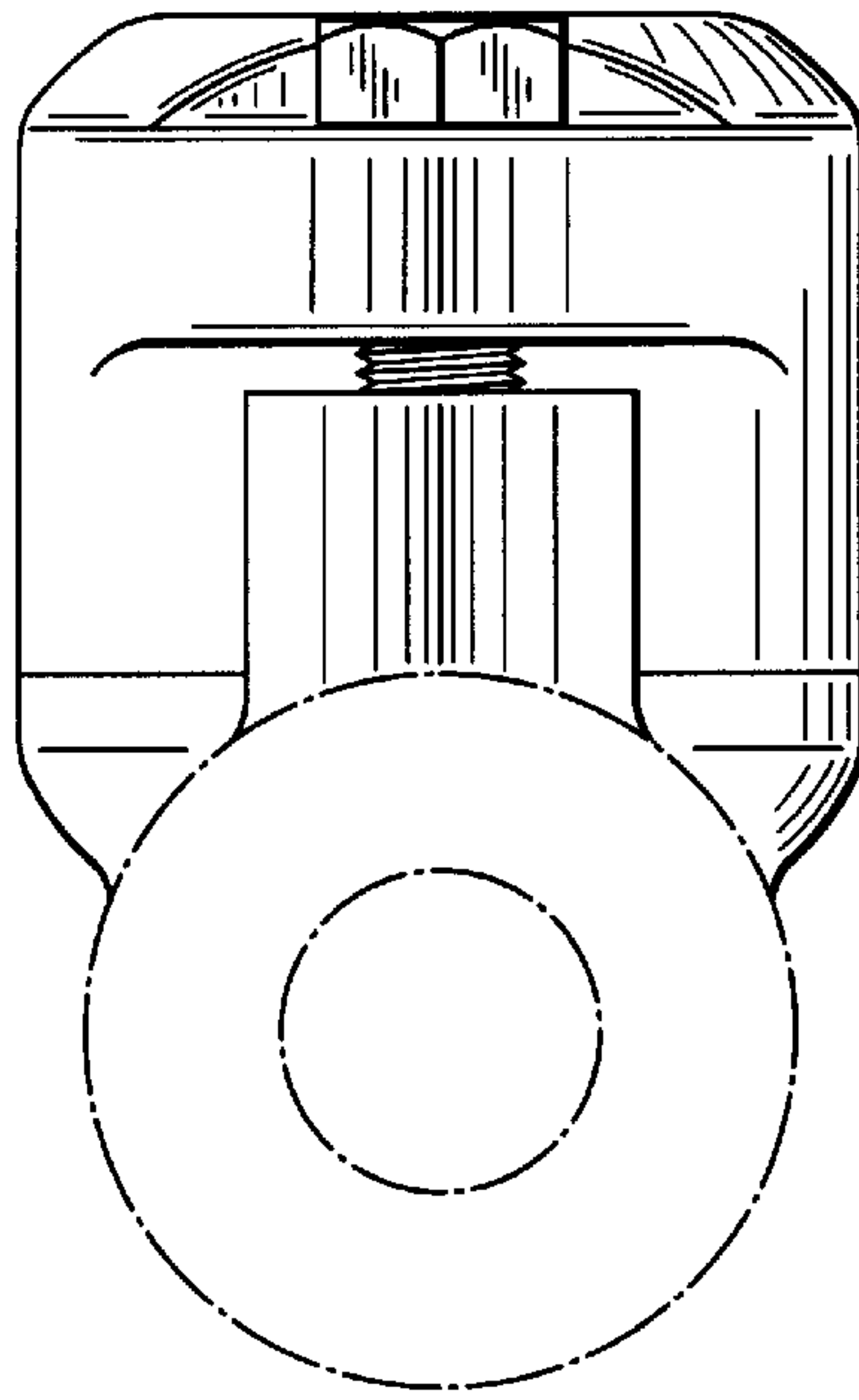




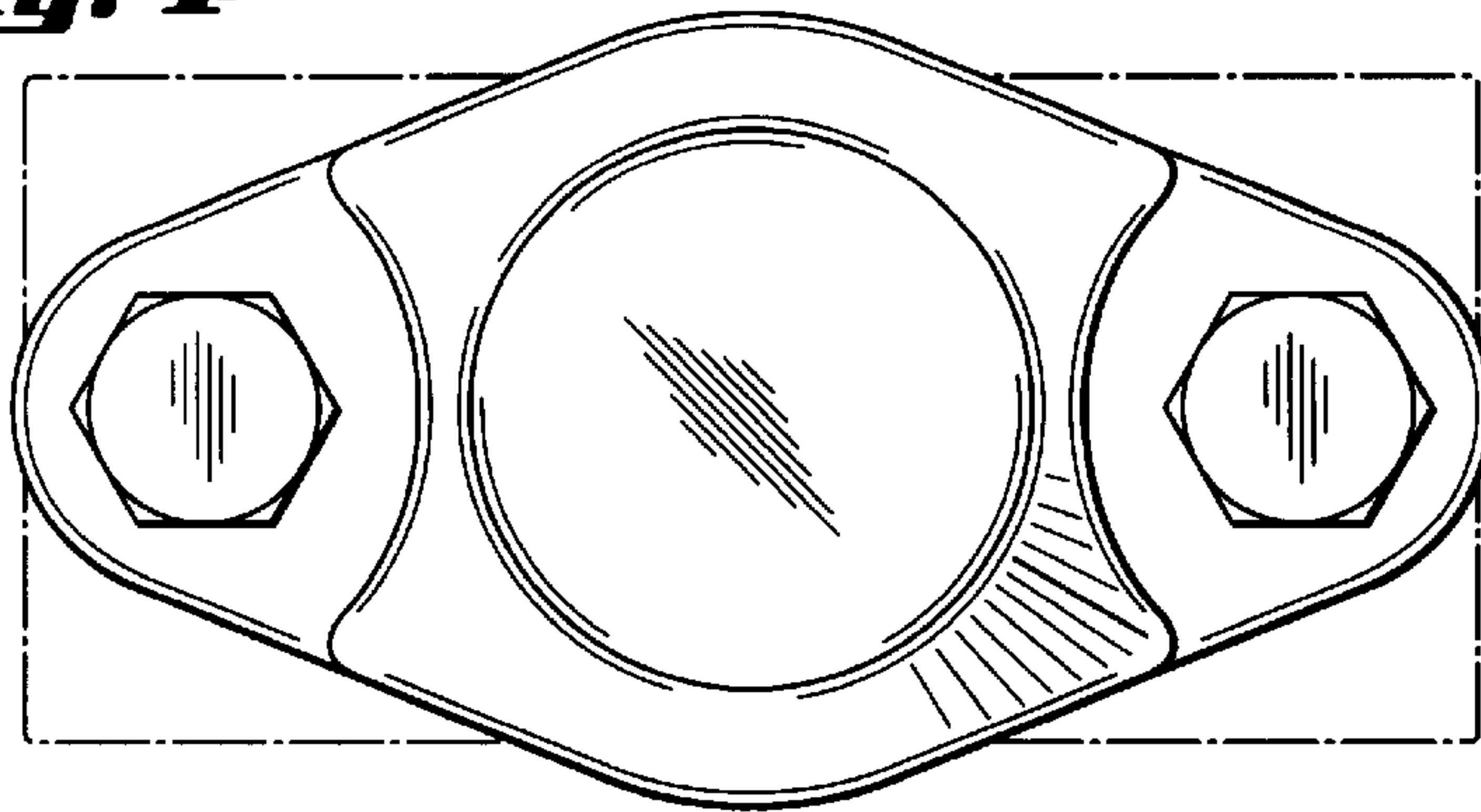


***Fig. 2***

***Fig. 3***



***Fig. 4***



***Fig. 5***

