

US00D407145S

United States Patent [19]

[11] **Patent Number: Des. 407,145**

Nordgren et al.

[45] **Date of Patent: **Mar. 23, 1999**

[54] **COMBINED VALVE GUARD AND LIFTING HANDLE FOR A GAS CONTAINER**

Swedish Design Registration No. 23451, by AGA Aktiebolag, Nov. 1978.

[75] Inventors: **Peter Nordgren; Jon-Karl Sundh**, both of Stockholm; **Kurt Larsson**, Lidingo, all of Sweden

Primary Examiner—Marcus A. Jackson
Attorney, Agent, or Firm—Pearne, Gordon, McCoy & Granger LLP

[73] Assignee: **AGA AB**, Lidingo, Sweden

[57] **CLAIM**

[**] Term: **14 Years**

The ornamental design for a combined valve guard and lifting handle for a gas container, as shown and described.

[21] Appl. No.: **64,163**

DESCRIPTION

[22] Filed: **Dec. 23, 1996**

[51] **LOC (6) Cl.** **23-01**

[52] **U.S. Cl.** **D23/260**

[58] **Field of Search** D23/233–237, D23/244–249, 260; 137/377, 382; 220/724, 726; 73/273, 277, 431

FIG. 1 is a front and right side perspective view of a combined valve guard and lifting handle for a gas container, showing our new design;

FIG. 2 is a rear and left side perspective view thereof;

FIG. 3 is a right side elevational view thereof;

FIG. 4 is a front elevational view thereof;

FIG. 5 is a top plan view thereof;

FIG. 6 is a left side elevational view thereof;

FIG. 7 is a rear elevational view thereof; and,

FIG. 8 is a bottom plan view thereof.

[56] **References Cited**

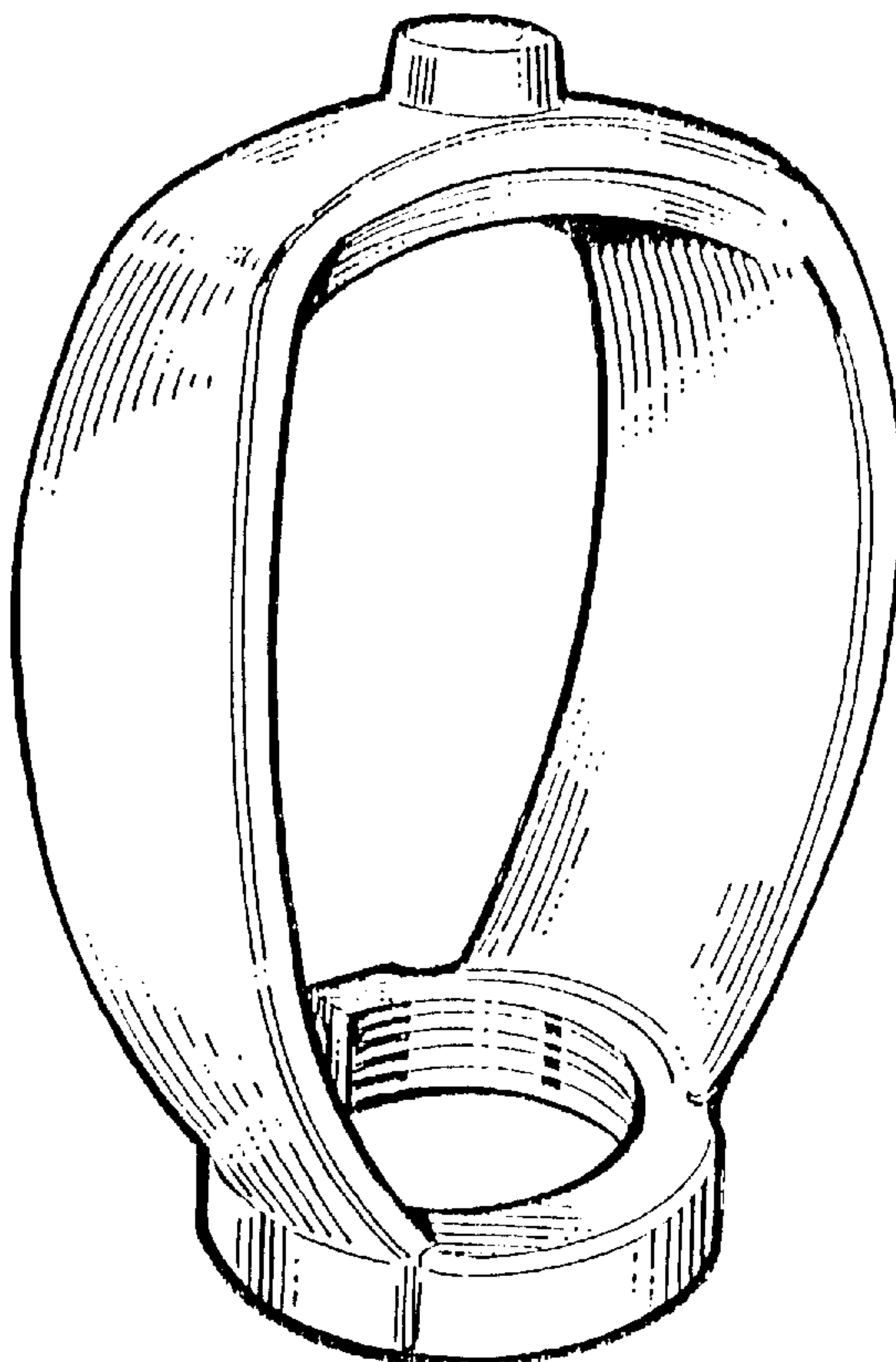
U.S. PATENT DOCUMENTS

- D. 367,921 3/1996 Zewellen D23/260
- D. 370,251 5/1996 Nakahara D23/260

OTHER PUBLICATIONS

Linde Union Carbide Pamphlet—1 Page prior to Dec. 1996.
Swedish Design Registration No. 23450, by AGA Aktiebolag, Nov. 1978.

1 Claim, 2 Drawing Sheets



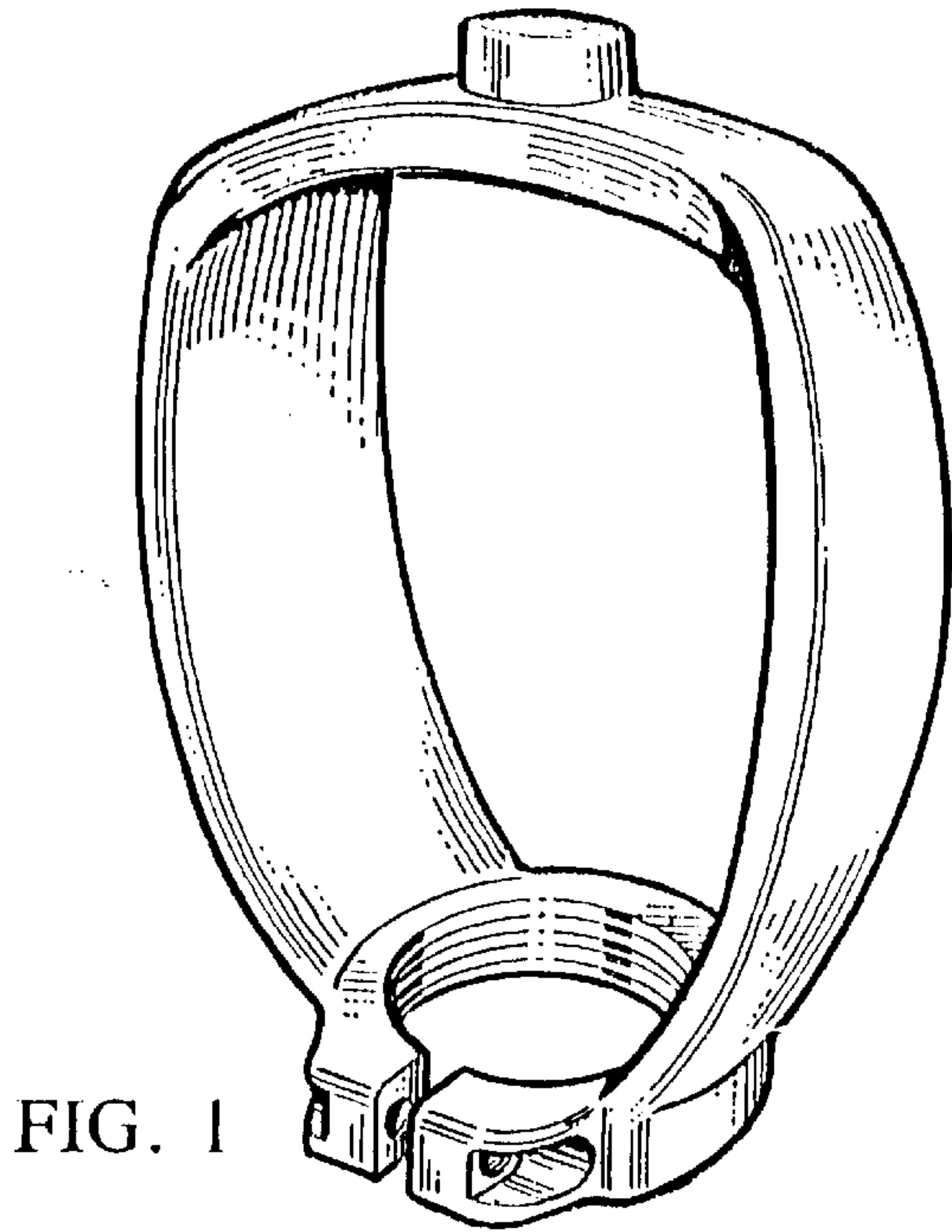


FIG. 1

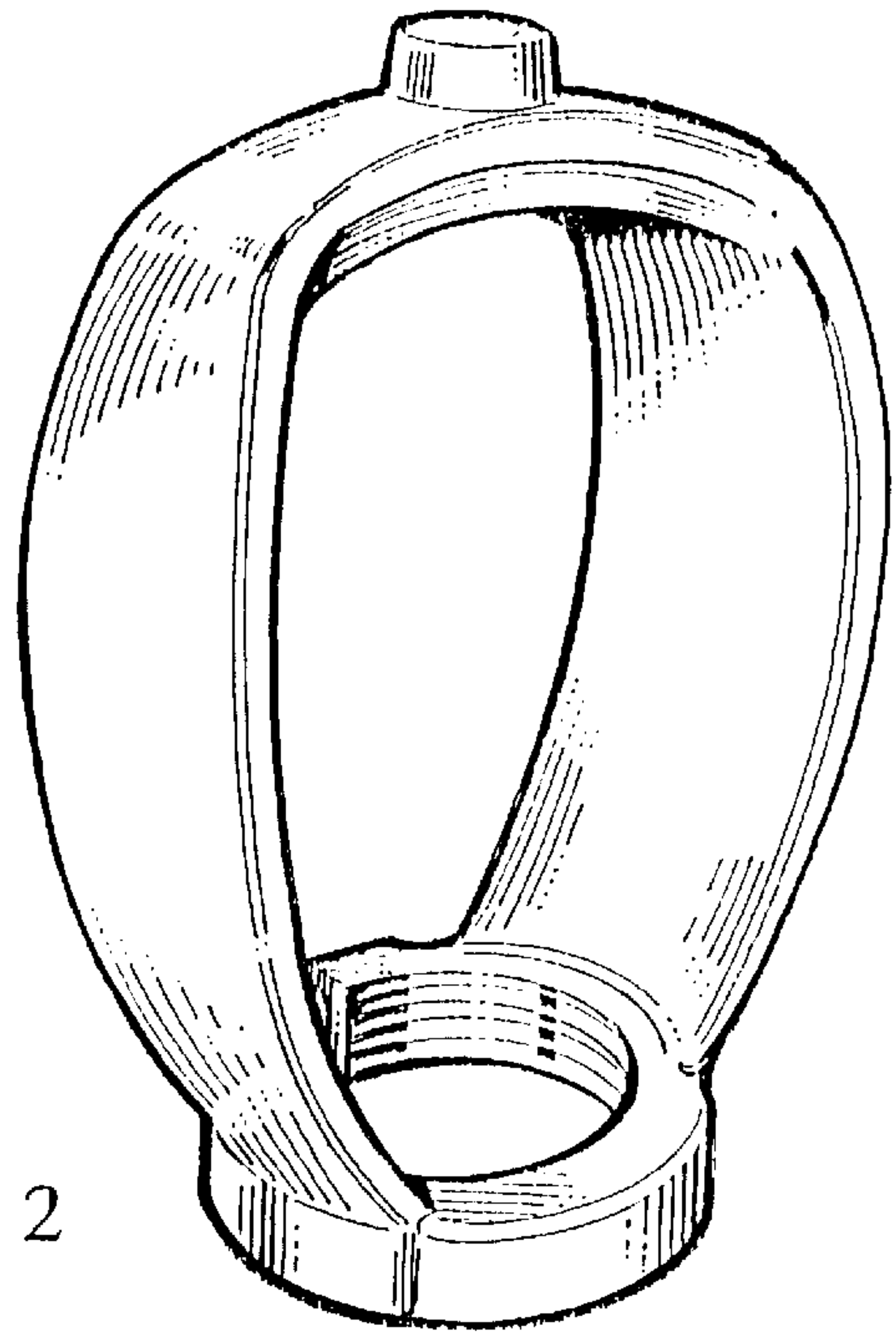


FIG. 2

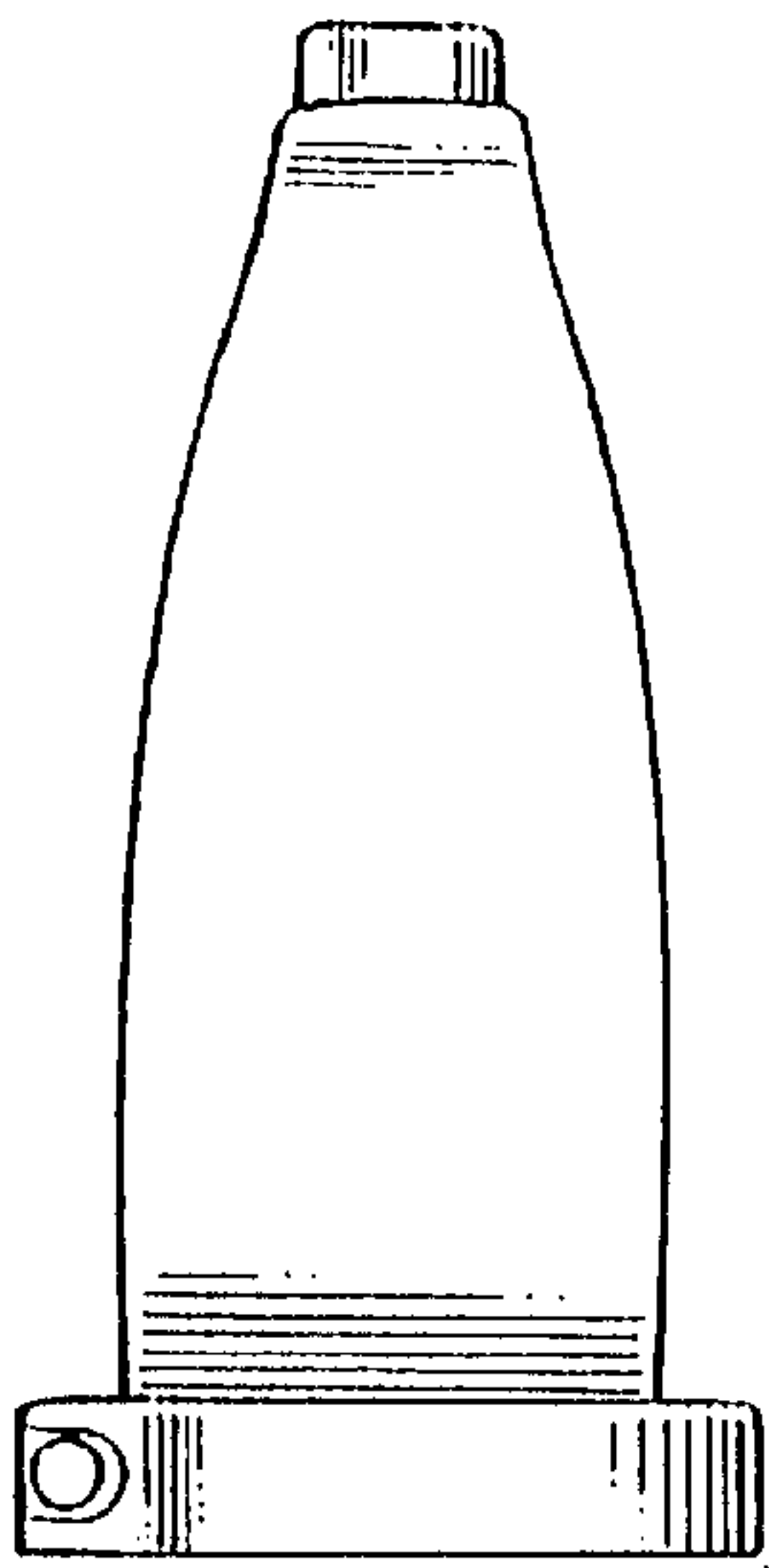


FIG. 3

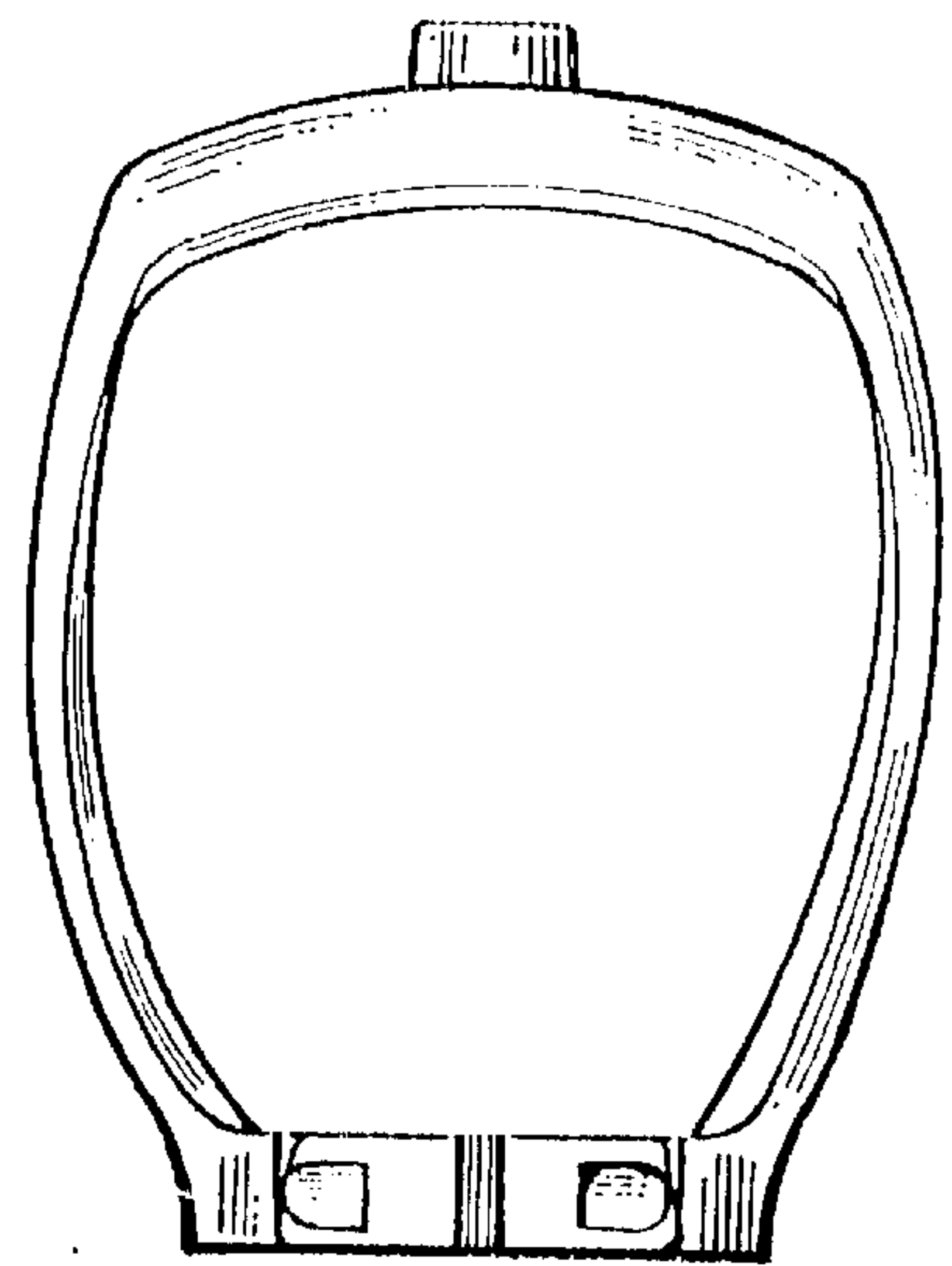


FIG. 4

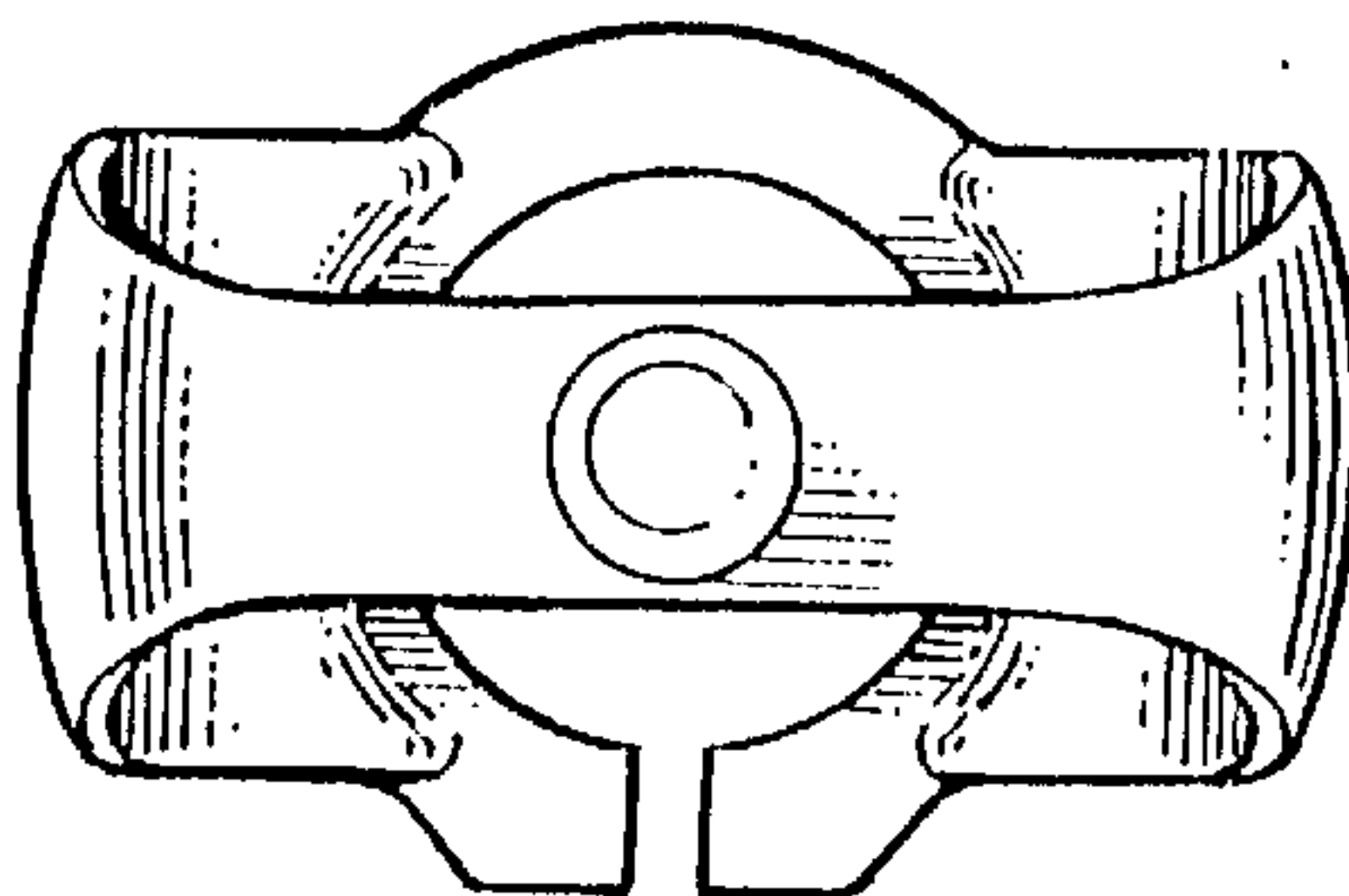


FIG. 5

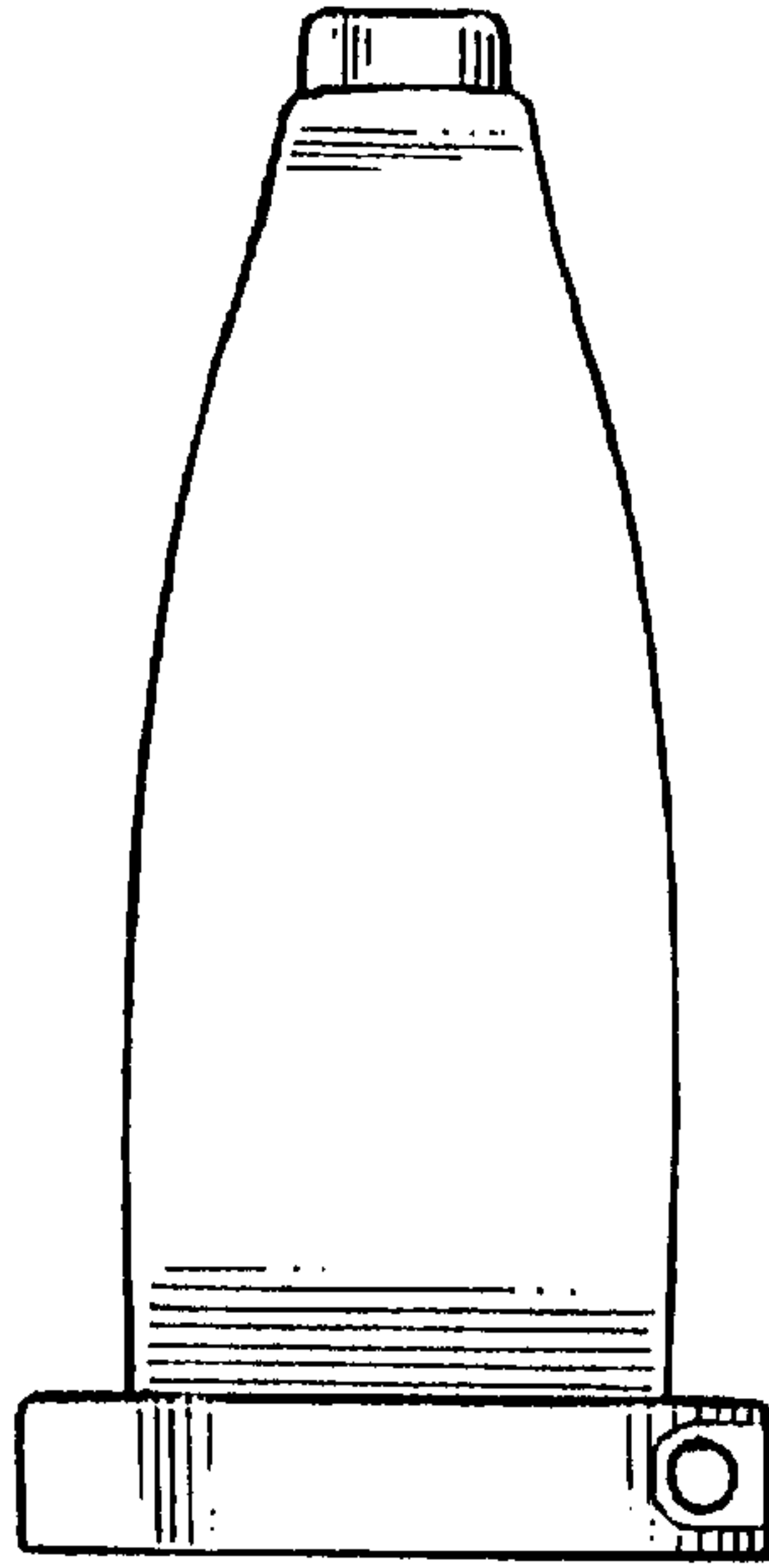


FIG. 6

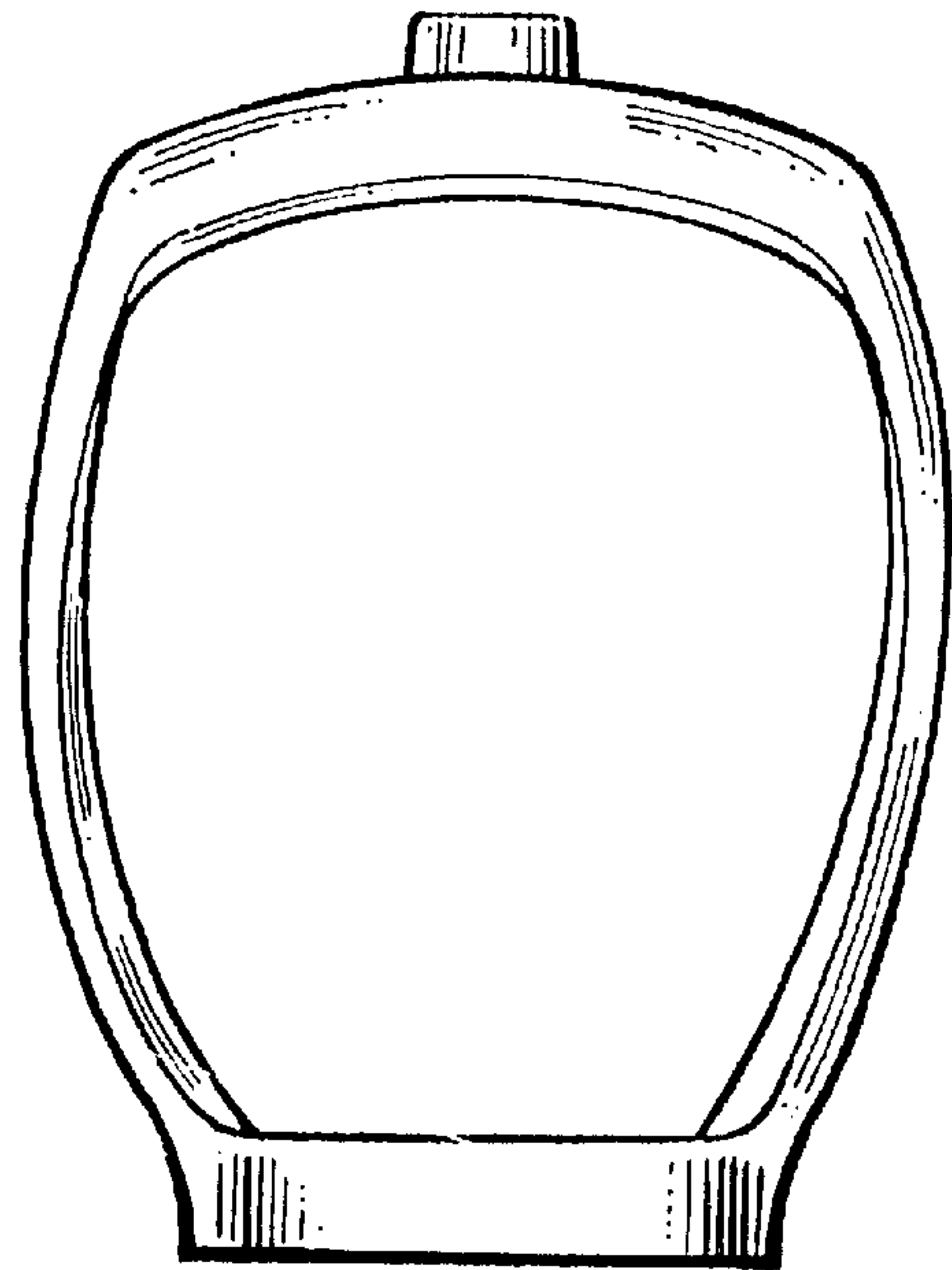


FIG. 7

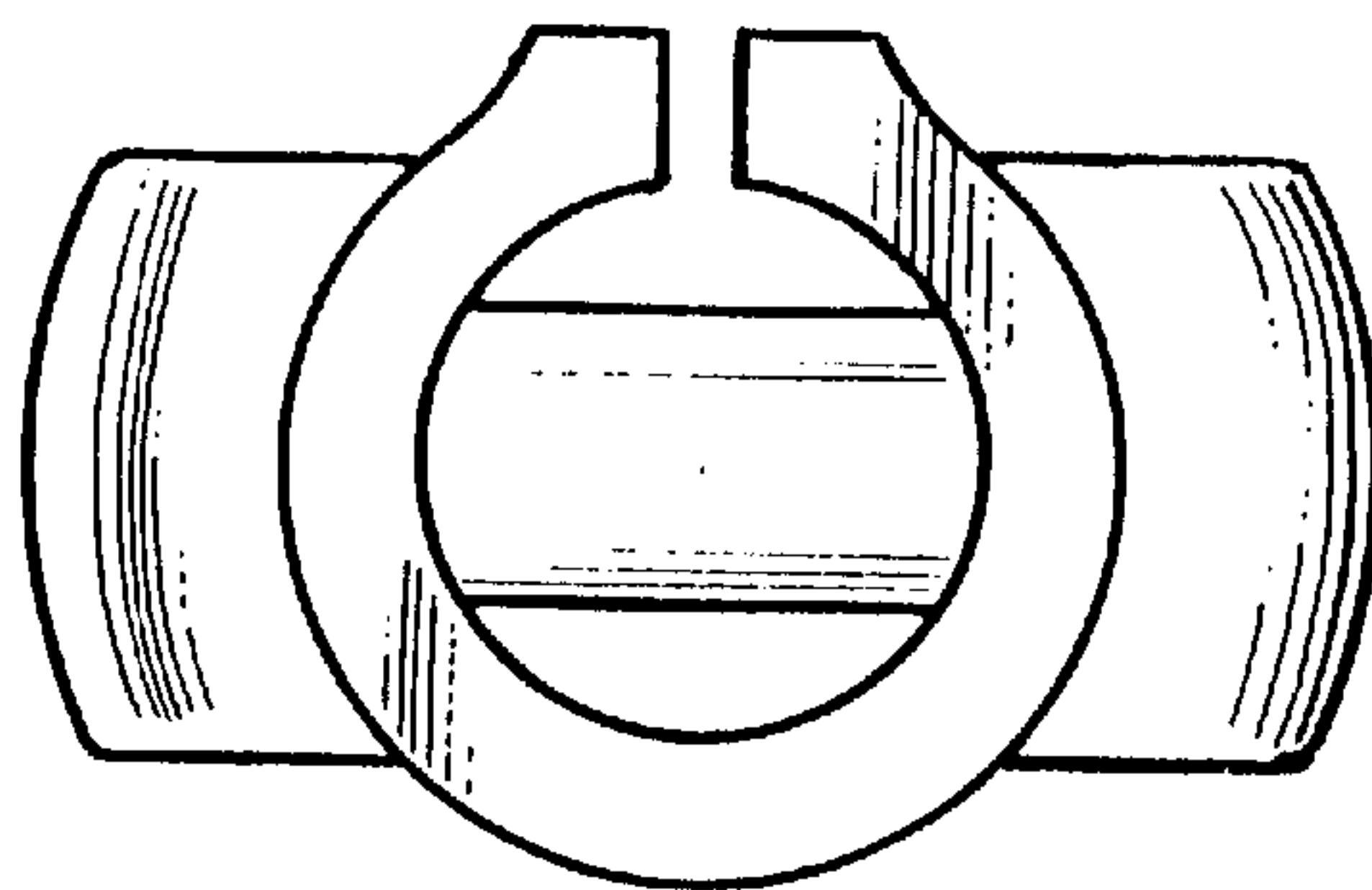


FIG. 8

UNITED STATES PATENT AND TRADEMARK OFFICE
CERTIFICATE OF CORRECTION

PATENT NO. : Des. 407,145
DATED : March 23, 1999
INVENTOR(S) : Nordgren et al.

Page 1 of 1

It is certified that error appears in the above-identified patent and that said Letters Patent is hereby corrected as shown below:

Title page,
Add item [30] -- Sweden 96-1456 6/28/96 --.

Signed and Sealed this

Twenty-fifth Day of September, 2001

Attest:

Nicholas P. Godici

Attesting Officer

NICHOLAS P. GODICI
Acting Director of the United States Patent and Trademark Office