



US00D407144S

# United States Patent [19] Formgren

[11] **Patent Number: Des. 407,144**

[45] **Date of Patent: \*\*Mar. 23, 1999**

[54] **HANDLE**

[75] Inventor: **Anna-Pia K. Formgren**, Sheboygan, Wis.

[73] Assignee: **Kohler Co.**, Kohler, Wis.

[\*\*] Term: **14 Years**

[21] Appl. No.: **86,568**

[22] Filed: **Apr. 15, 1998**

### Related U.S. Application Data

[63] Continuation of Ser. No. 69,020, Apr. 23, 1997.

[51] **LOC (6) Cl. .... 23-01**

[52] **U.S. Cl. .... D23/252**

[58] **Field of Search .... D23/238-243,  
D23/250-257; D8/300-310; 4/675-678;  
16/110 R-121**

### [56] References Cited

#### U.S. PATENT DOCUMENTS

D. 324,725	3/1992	Long et al. ....	D23/252
D. 326,139	5/1992	Rapouot ....	D23/252
D. 339,852	9/1993	Jaus ....	D23/252
D. 366,519	1/1996	Lobelmeier ....	D23/252

#### OTHER PUBLICATIONS

A Stanadyne ad showing the 33.500.350 faucet, undated, admitted prior art.

P. 18 of a Kohler catalog, undated, admitted prior art.

A 1985 SH ad showing the Flair faucet.

A Dorf ad showing a "Colonial" basin set, undated, admitted prior art.

A Kohler catalog ad showing a Coralais faucet, undated, admitted prior art.

*Primary Examiner*—Louis S. Zarfes

*Assistant Examiner*—Eric Watterson

*Attorney, Agent, or Firm*—Quarles & Brady LLP

### [57] CLAIM

The ornamental design for a handle, as shown and described.

### DESCRIPTION

FIG. 1 is a left, top, front perspective view of a handle embodying my new design;

FIG. 2 is a left side elevational view thereof, the right side elevational view being a mirror image of the left side shown;

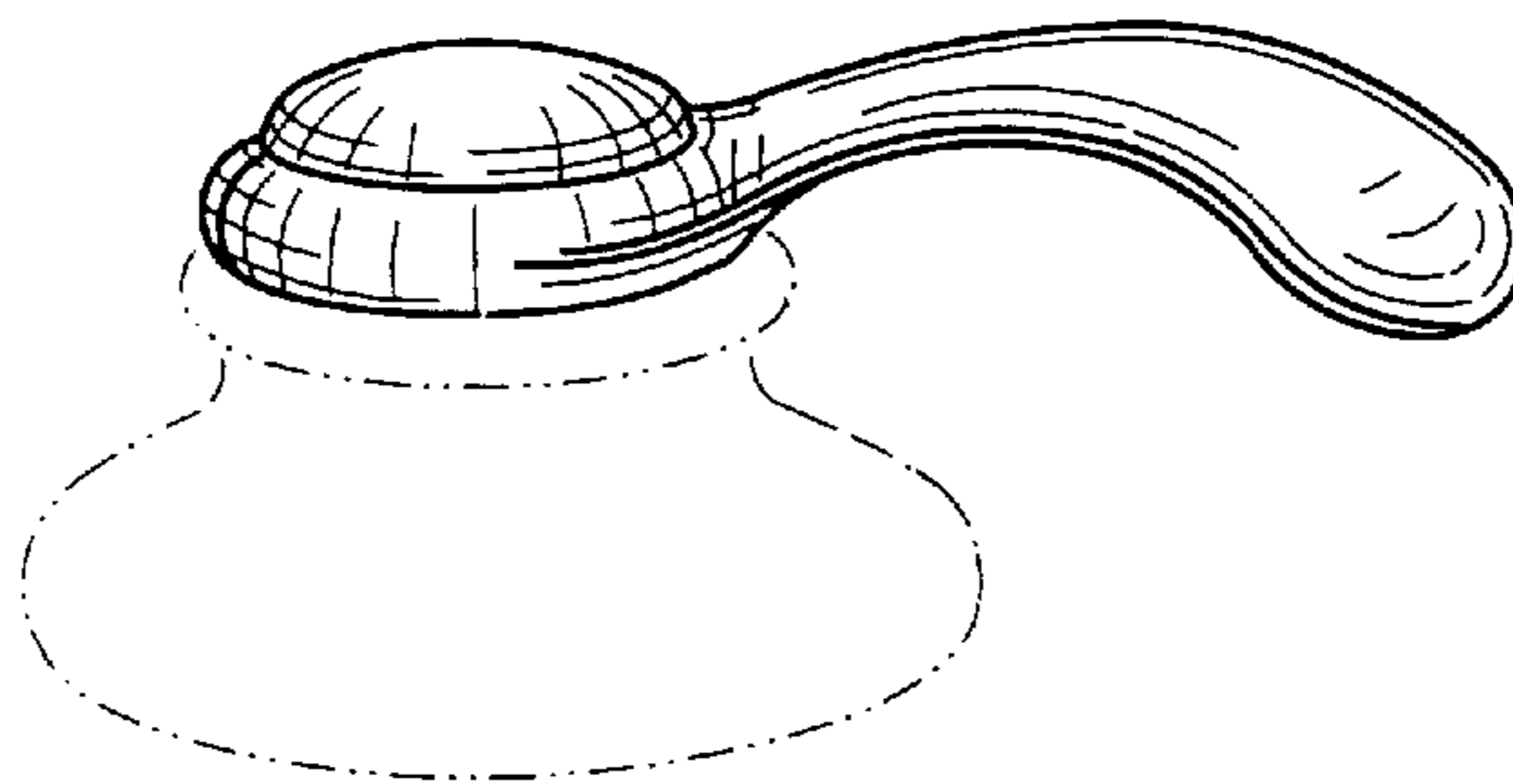
FIG. 3 is a front elevational view thereof;

FIG. 4 is a rear elevational view thereof; and,

FIG. 5 is a top plan view thereof.

The broken line representation of an escutcheon in FIGS. 1-5 is for the purpose of illustration only, and forms no part of the claimed design.

**1 Claim, 1 Drawing Sheet**



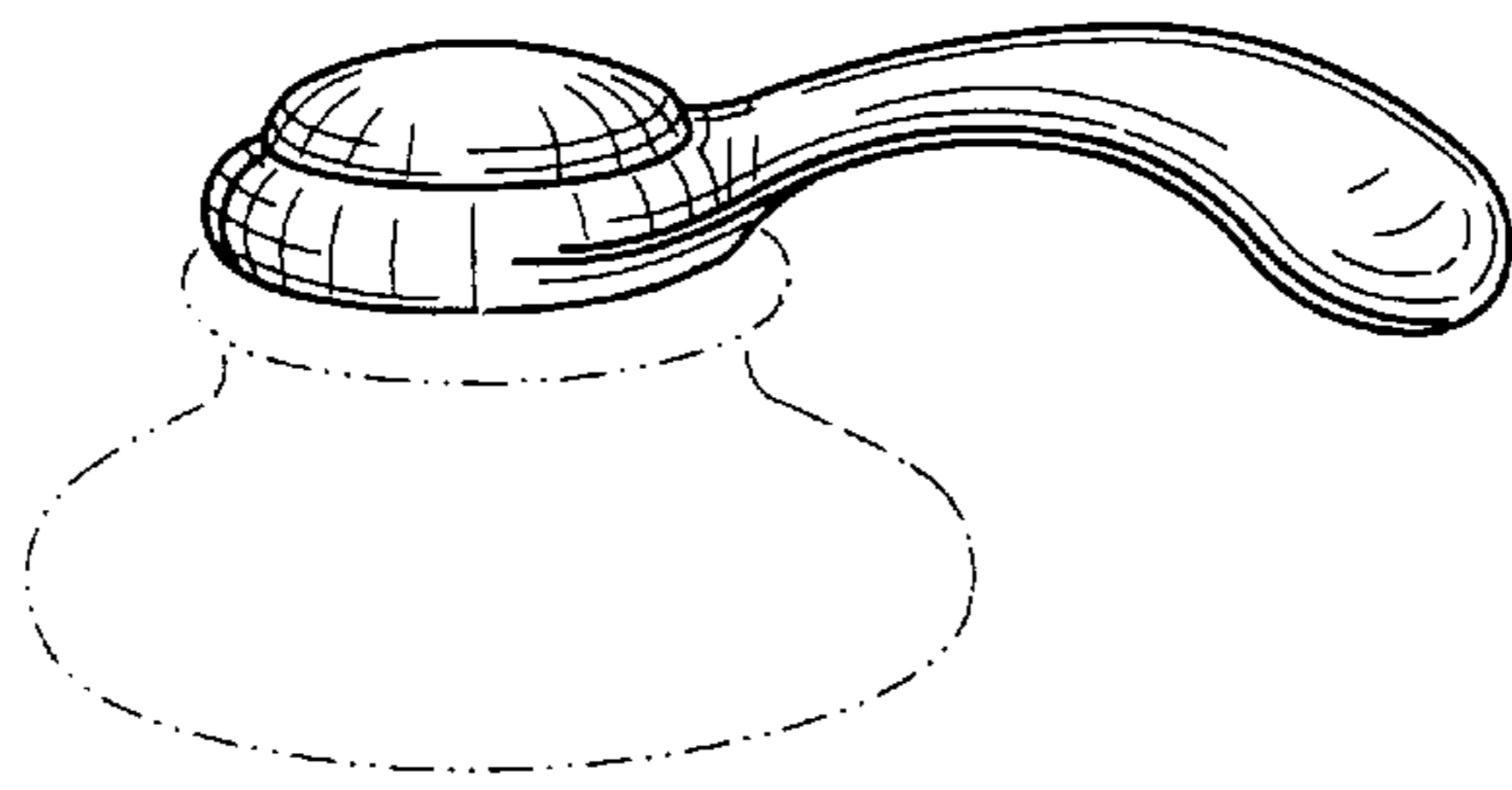


FIG. 1

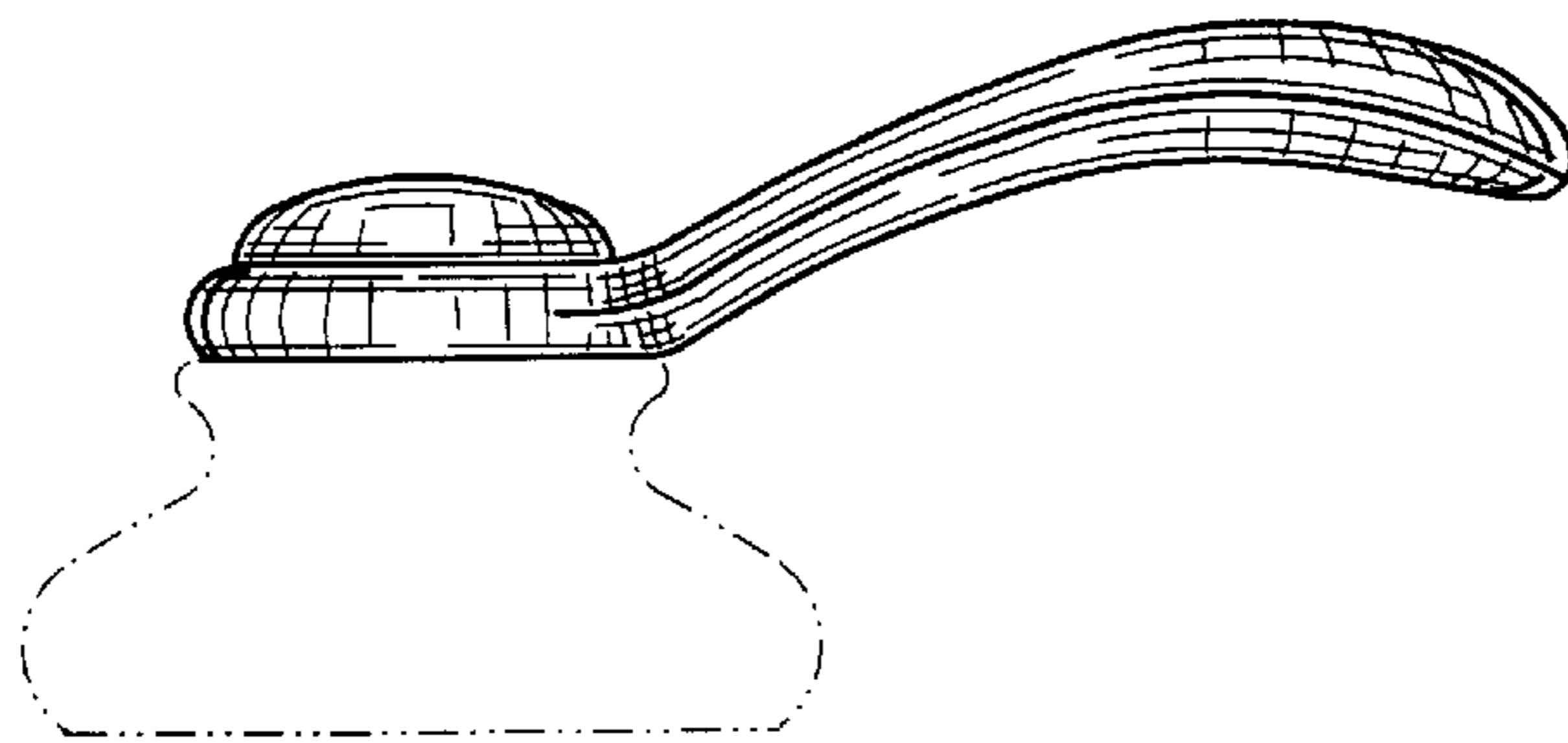


FIG. 2

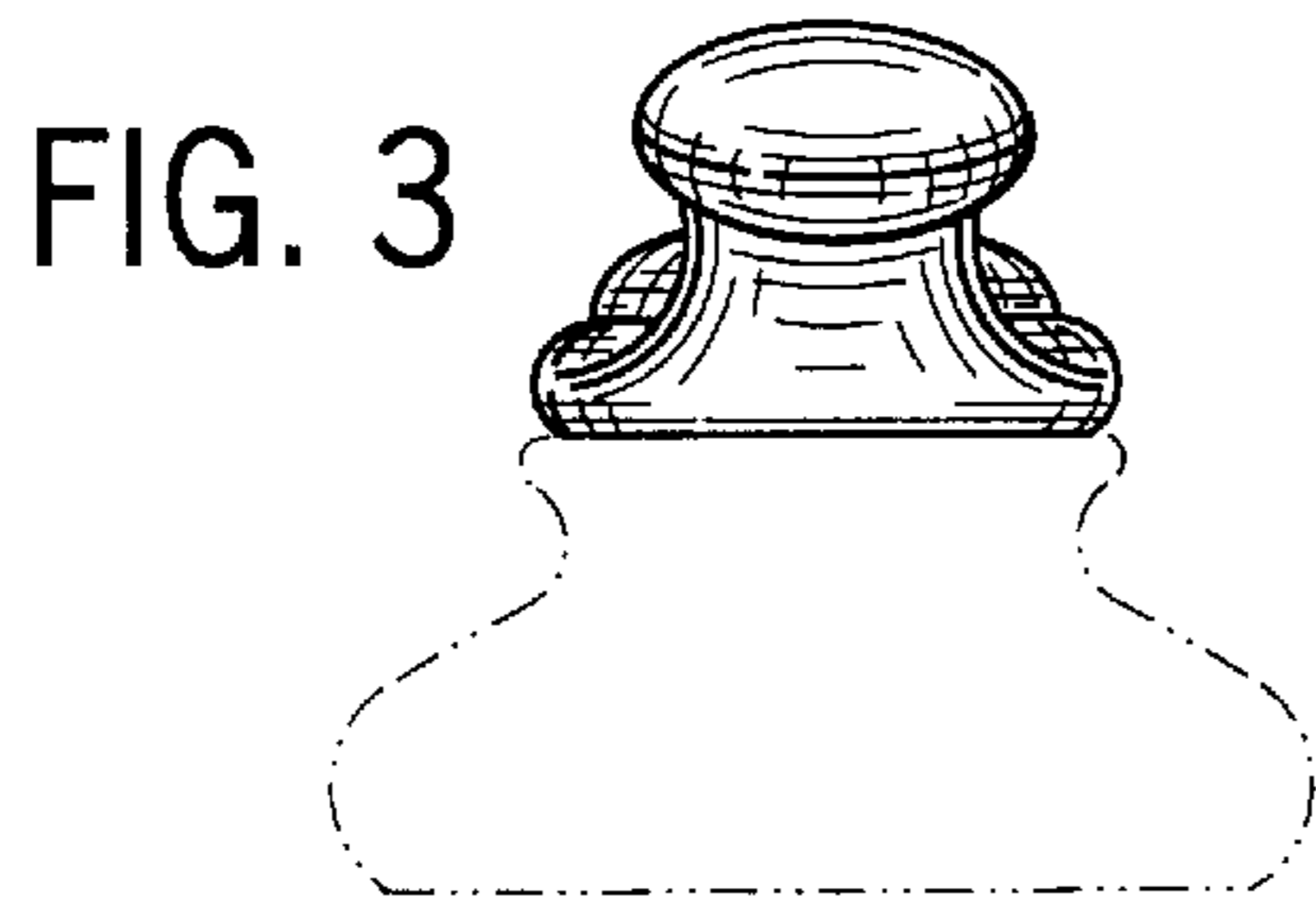


FIG. 3

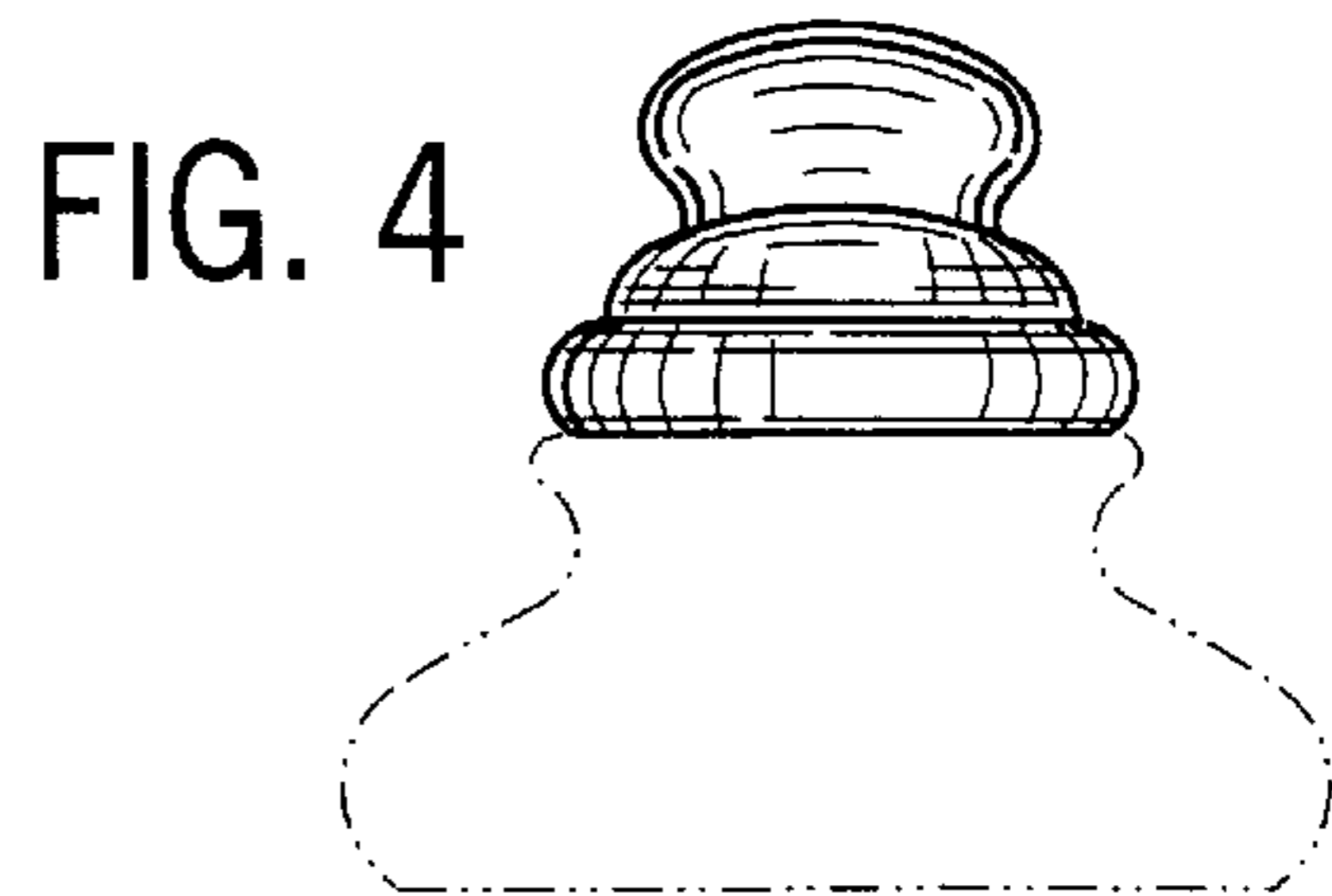


FIG. 4

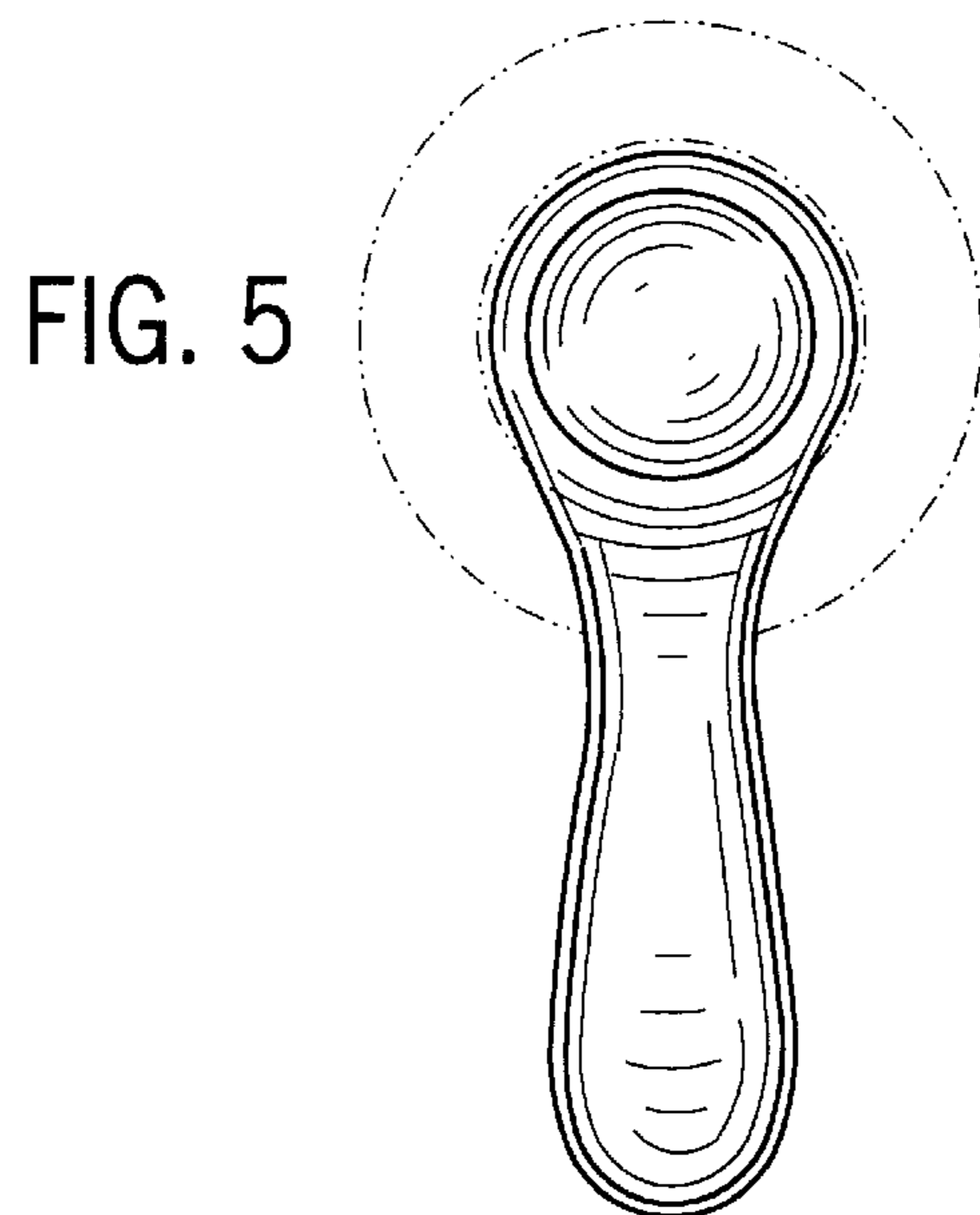


FIG. 5