



US00D407143S

# United States Patent [19]

Hyde et al.

[11] **Patent Number: Des. 407,143**

[45] **Date of Patent: \*\*Mar. 23, 1999**

[54] **FAUCET HANDLE**

[75] Inventors: **John Hyde**, Flemington; **Walter Pitsch**, Franklin Park, both of N.J.

[73] Assignee: **American Standard Inc.**, Piscataway, N.J.

[\*\*] Term: **14 Years**

[21] Appl. No.: **67,769**

[22] Filed: **Mar. 6, 1997**

[51] **LOC (6) Cl.** ..... **23-02**

[52] **U.S. Cl.** ..... **D23/252**

[58] **Field of Search** ..... D23/238-243,  
D23/250-257; D8/300-308; 4/675-678;  
137/801

[56] **References Cited**

**U.S. PATENT DOCUMENTS**

D. 280,008	8/1985	Miller et al.	23/25
D. 285,106	8/1986	Yost	23/28
D. 288,836	3/1987	Yost	23/25
D. 289,318	4/1987	Yost	23/25
D. 290,388	6/1987	Yost	23/29
D. 321,750	11/1991	Spangler	23/241
D. 325,772	4/1992	Carr	23/252
D. 325,958	5/1992	Stairs, Jr. et al.	23/250
D. 340,763	10/1993	Bonnell	23/250

D. 348,509	7/1994	Bollenbacher	6/550
D. 349,208	8/1994	Bollenbacher	6/550
D. 368,302	3/1996	Doughty et al.	23/241

*Primary Examiner*—Louis S. Zarfes  
*Assistant Examiner*—Eric Watterson  
*Attorney, Agent, or Firm*—Joseph M. Homa

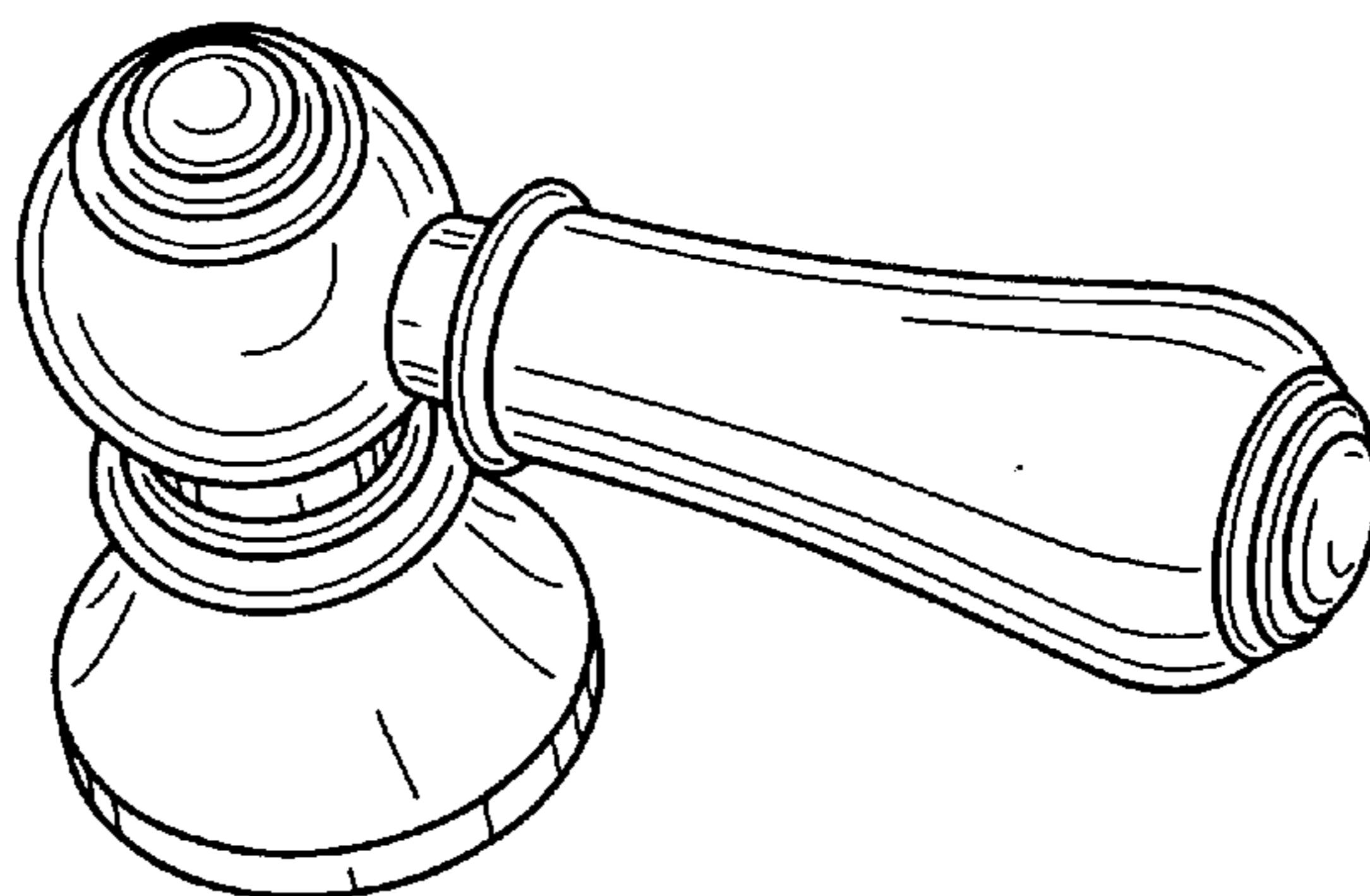
[57] **CLAIM**

The ornamental design for a faucet handle, as shown and described.

**DESCRIPTION**

FIG. 1 is a perspective view of a faucet handle showing our new design;  
FIG. 2 is a bottom plan view thereof;  
FIG. 3 is a top plan view thereof;  
FIG. 4 is a left side elevational view thereof, the right side being a mirror image of the left side;  
FIG. 5 is a front elevational view thereof;  
FIG. 6 is a rear elevational view thereof;  
FIG. 7 is a perspective view of a faucet handle showing another embodiment of our new design;  
FIG. 8 is a bottom plan view of FIG. 7;  
FIG. 9 is a top plan view of FIG. 7;  
FIG. 10 is a left side elevational view of FIG. 7, the right side being a mirror image of the left side;  
FIG. 11 is a front elevational view of FIG. 7; and,  
FIG. 12 is a rear elevational view of FIG. 7.

**1 Claim, 4 Drawing Sheets**



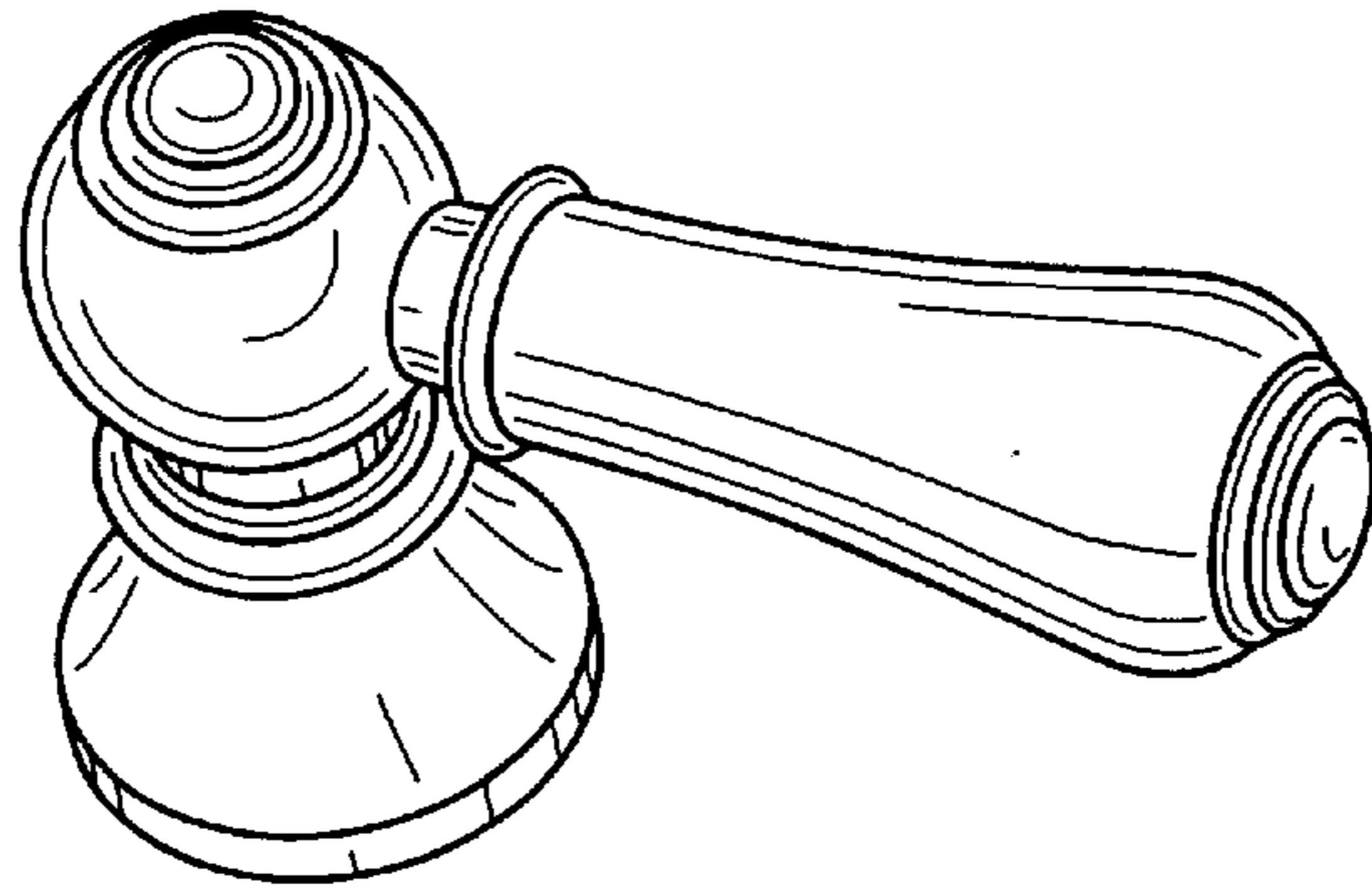


FIG. 1

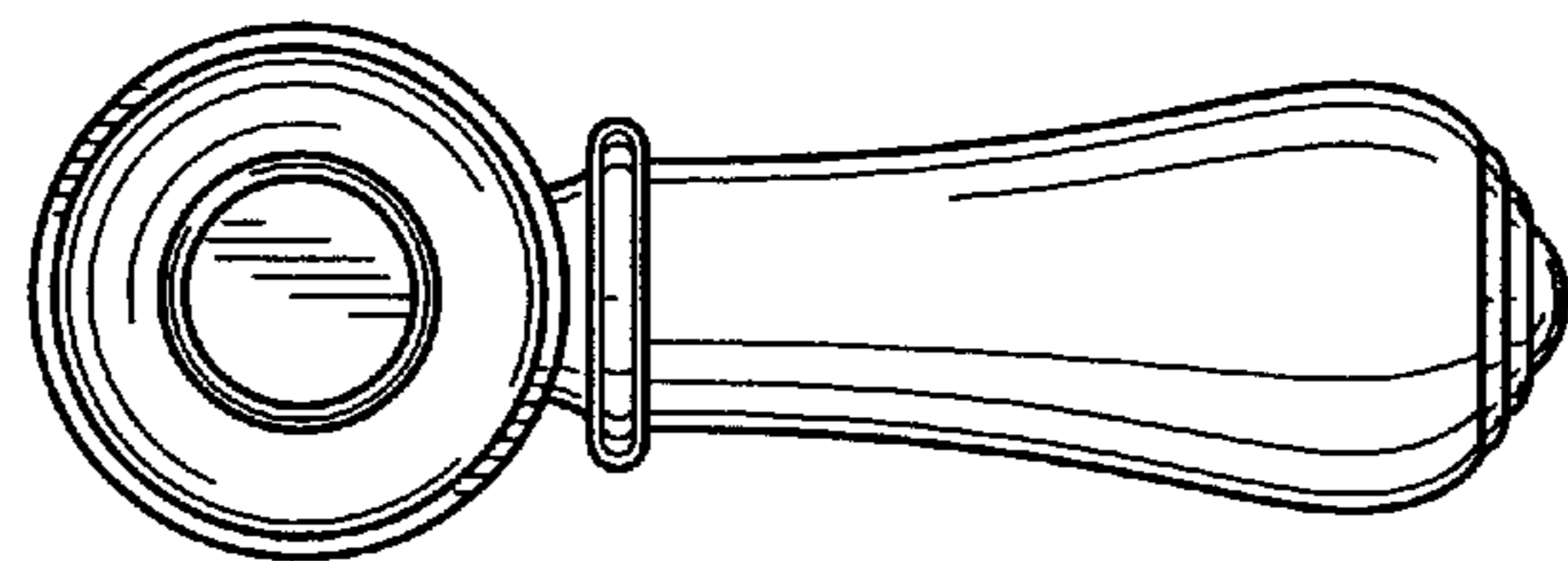


FIG. 2

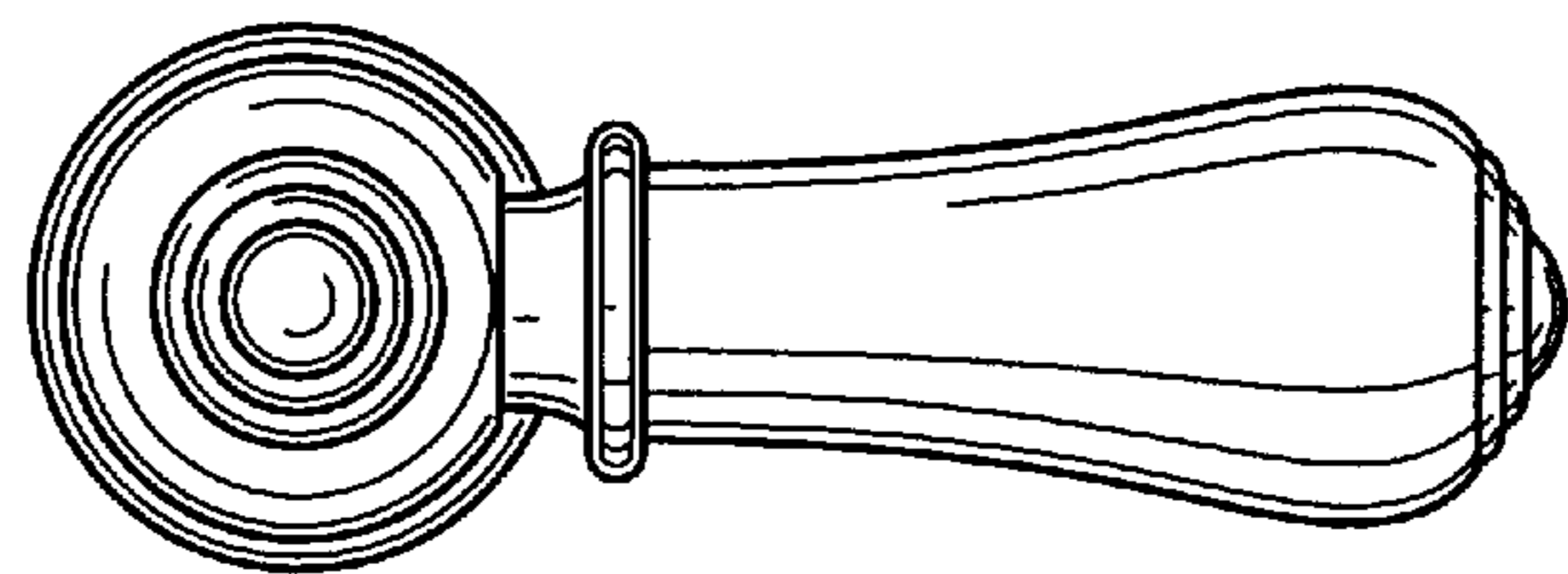


FIG. 3

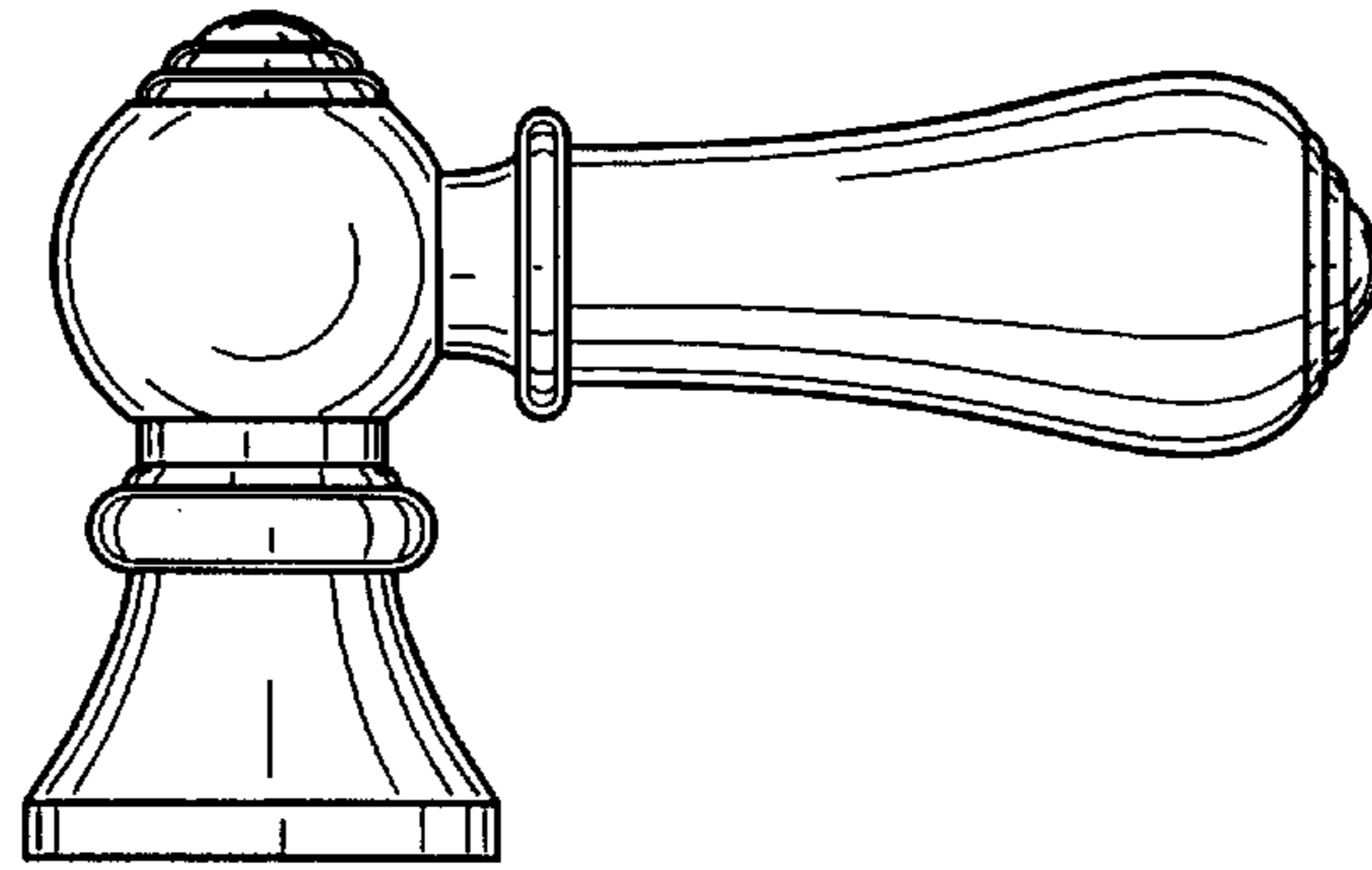


FIG. 4

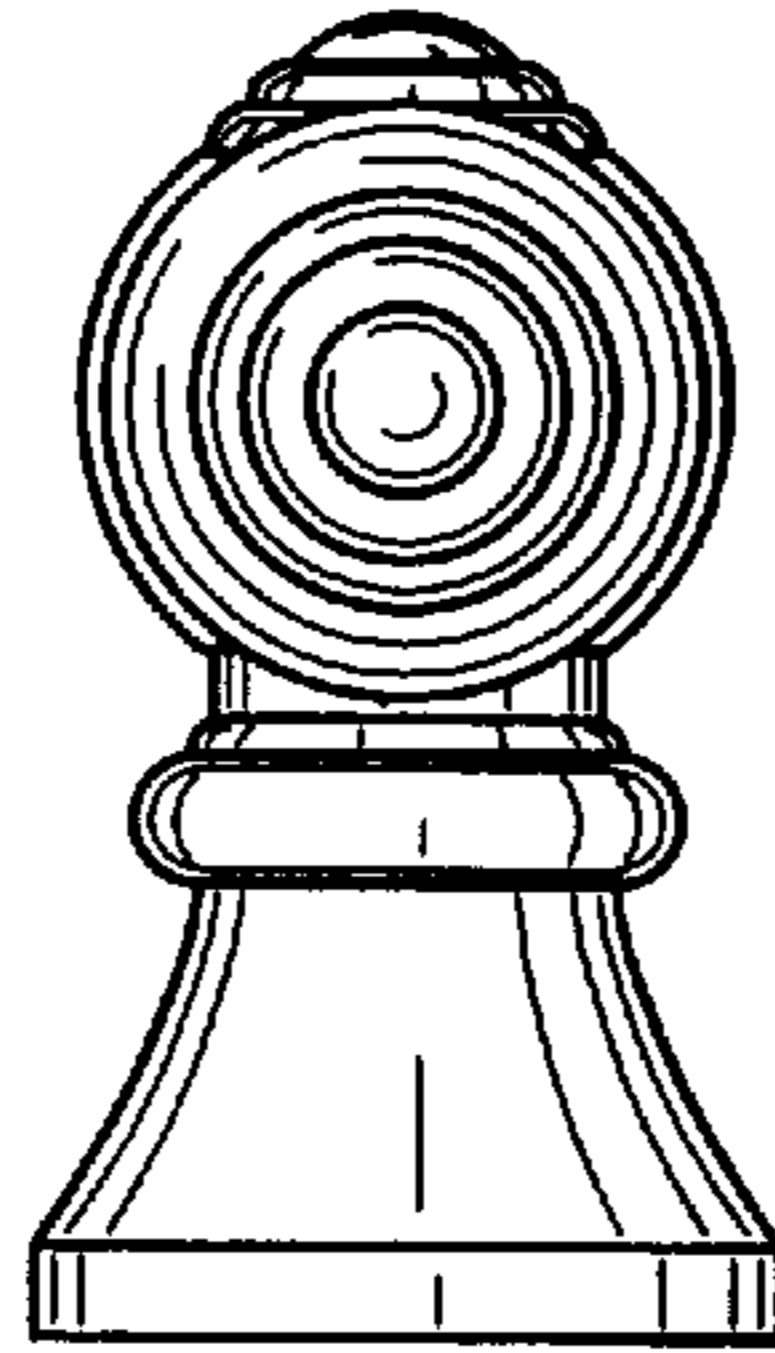


FIG. 5

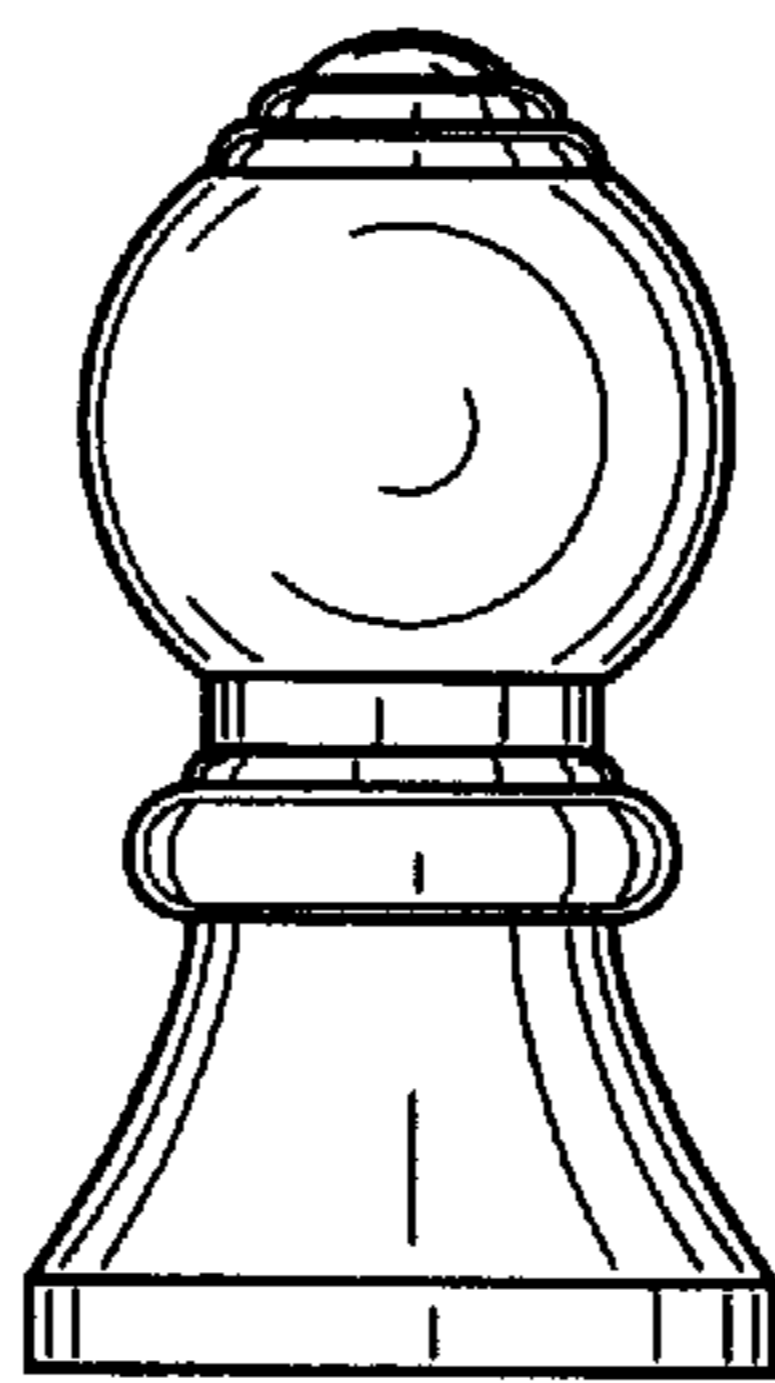


FIG. 6

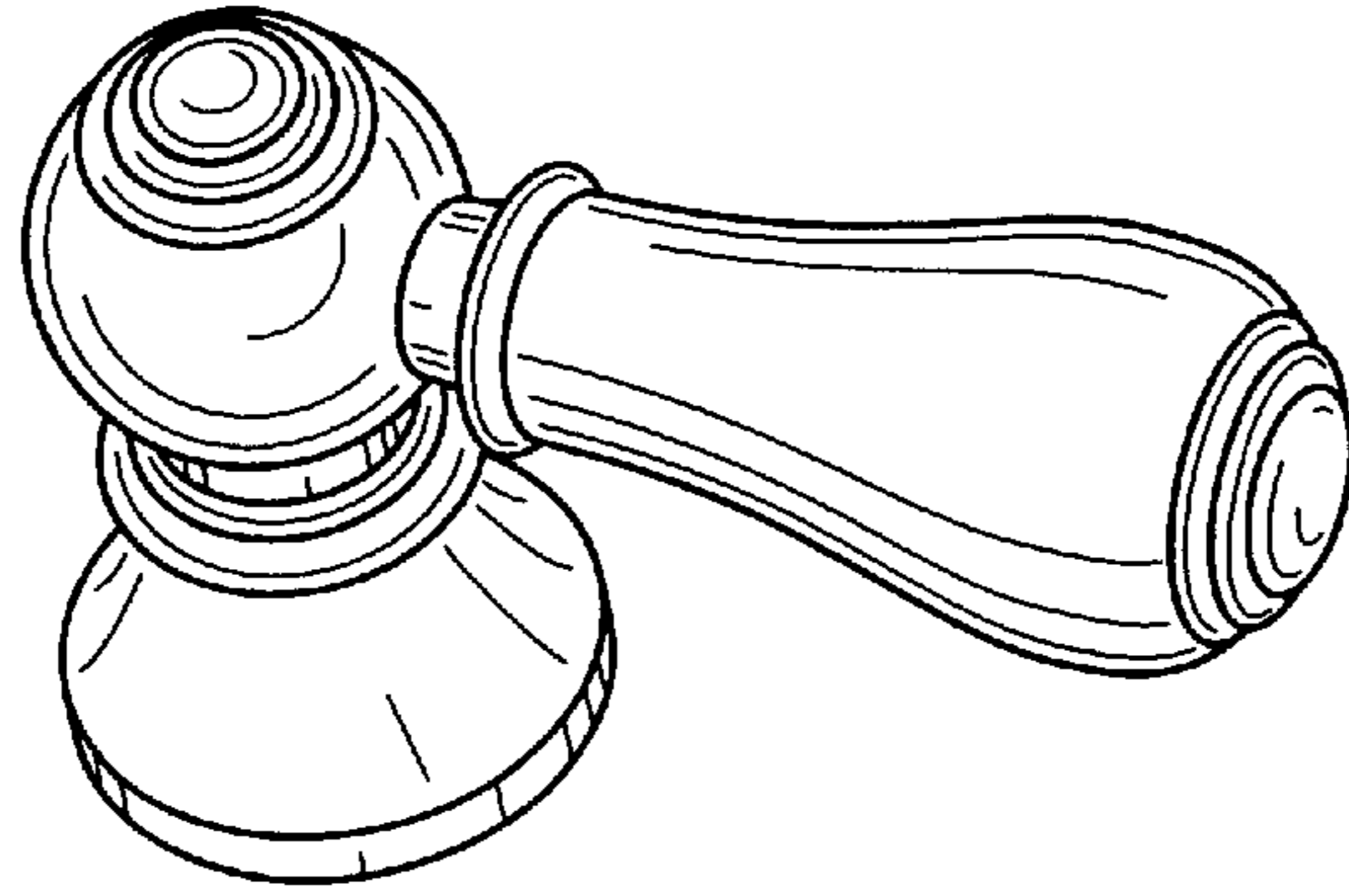


FIG. 7

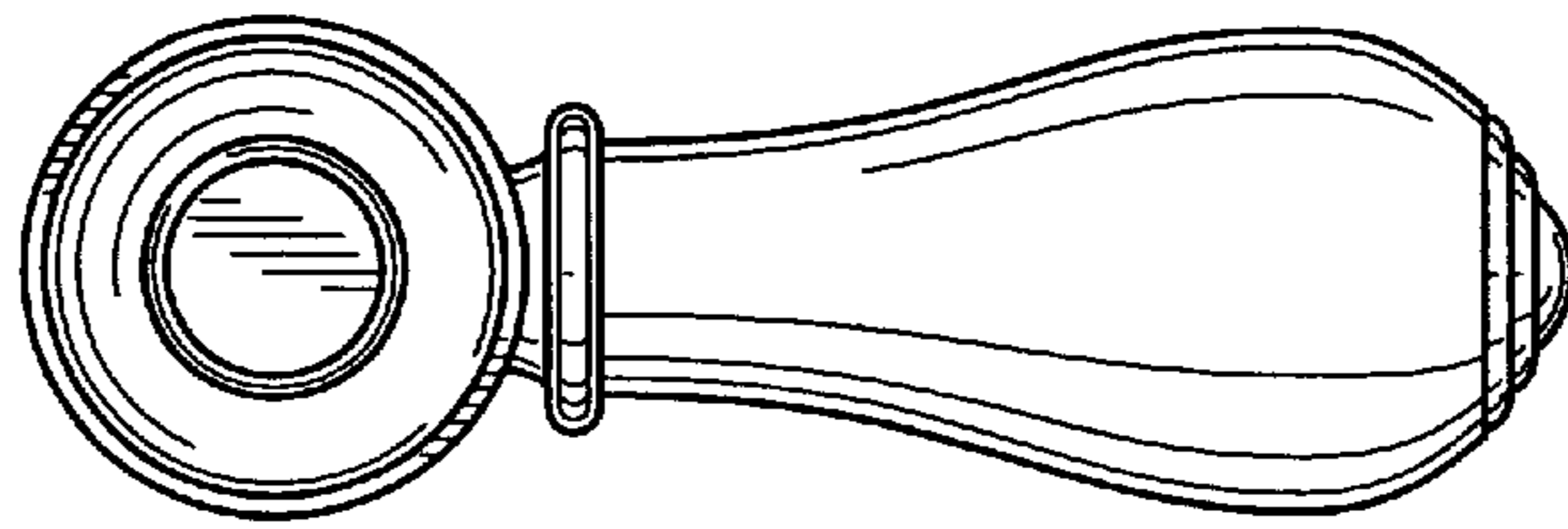


FIG. 8

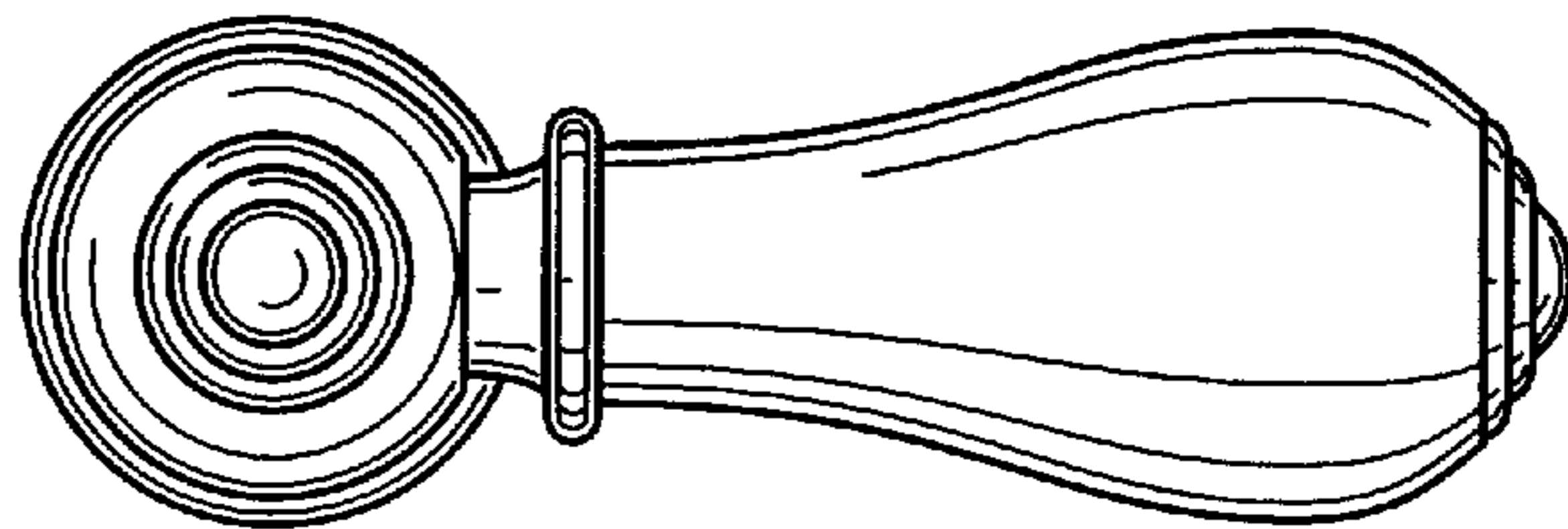


FIG. 9

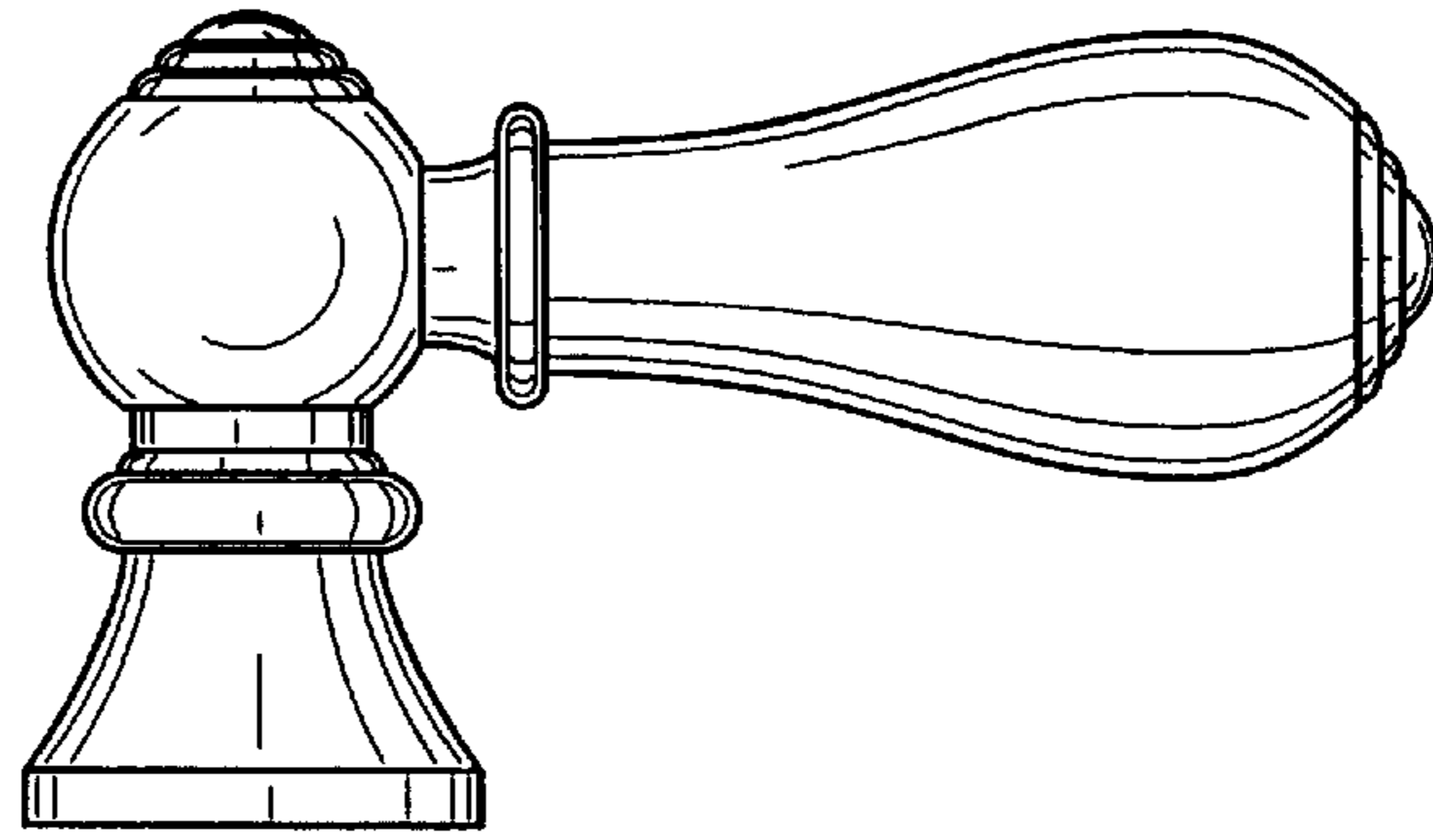


FIG. 10

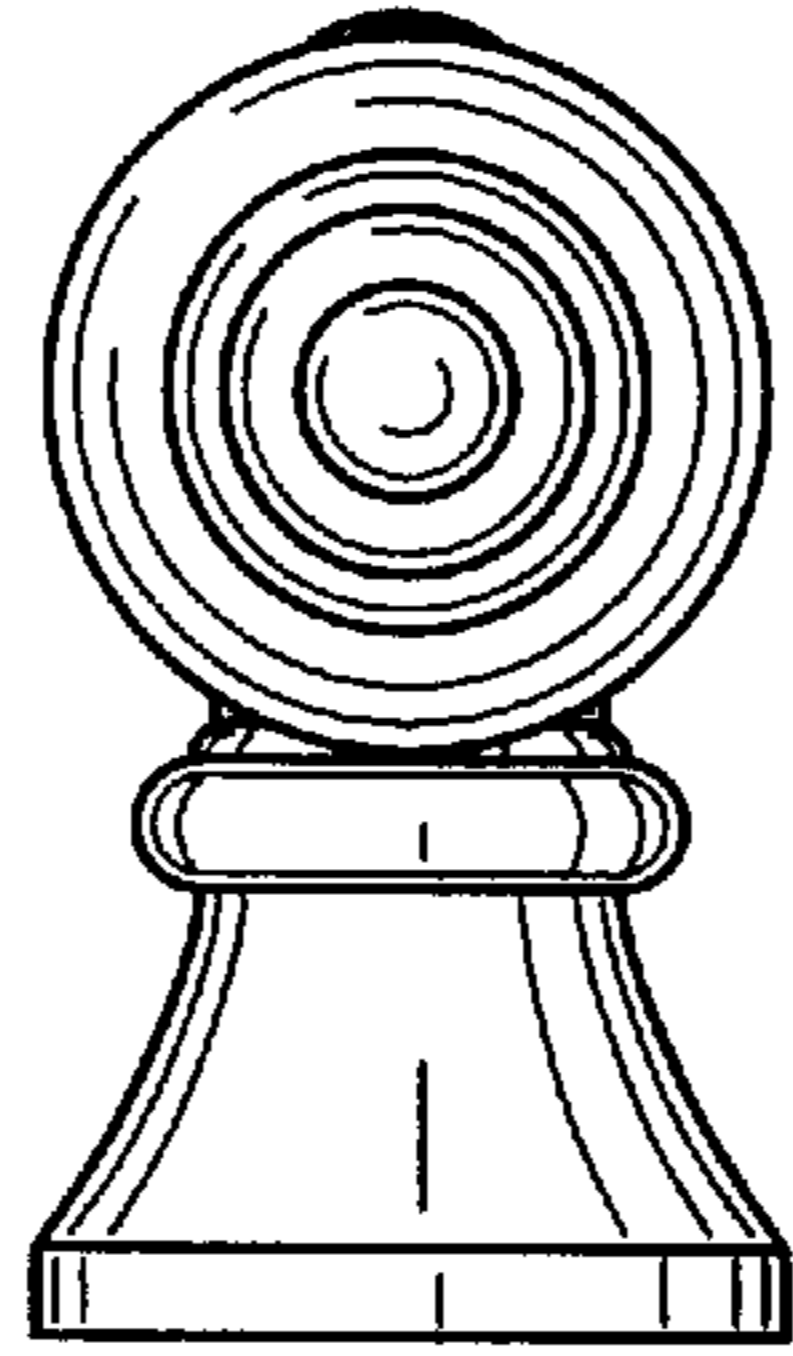


FIG. 11

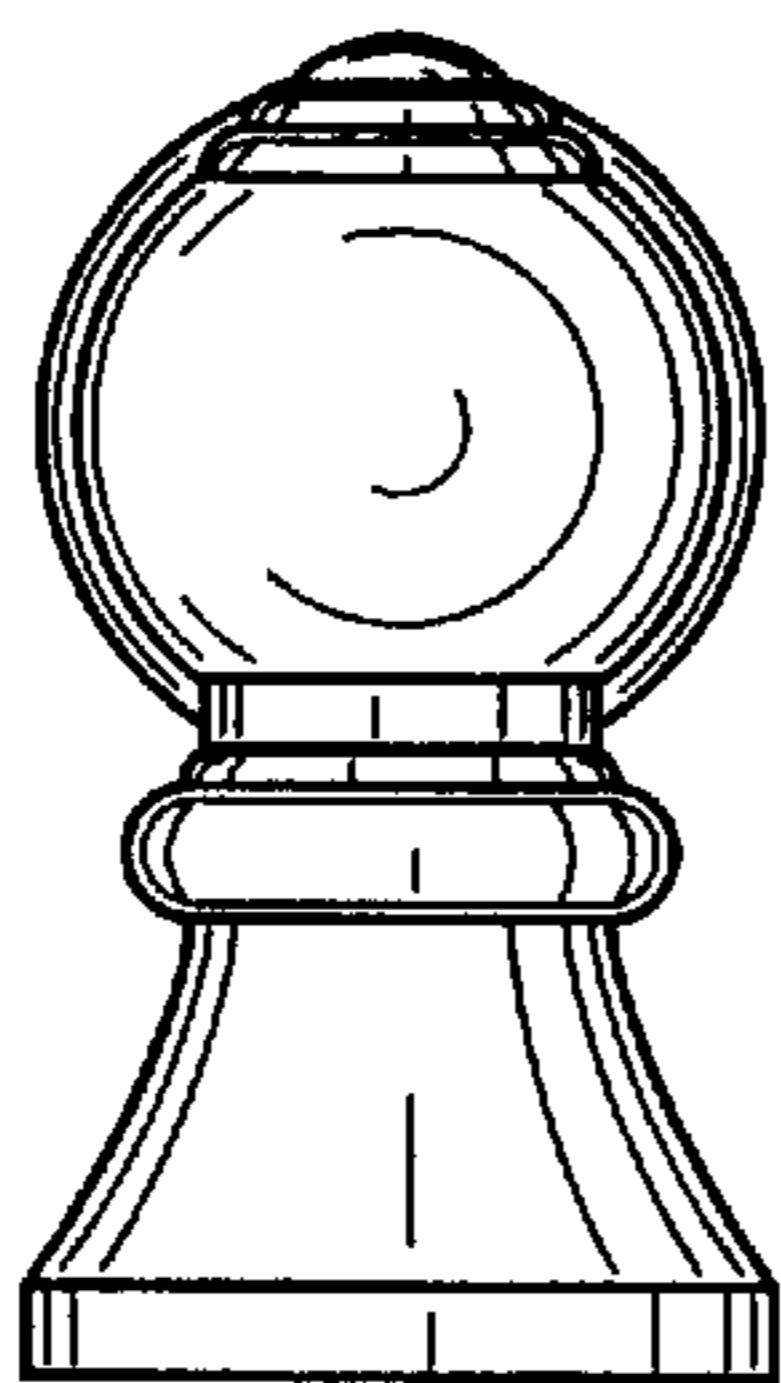


FIG. 12