



US00D407142S

United States Patent [19]

Hyde et al.

[11] **Patent Number: Des. 407,142**

[45] **Date of Patent: **Mar. 23, 1999**

[54] **FITTING**

[75] Inventors: **John Hyde**, Flemington; **Luan Nguyen**, Morristown, both of N.J.

[73] Assignee: **American Standard Inc.**, Piscataway, N.J.

[**] Term: **14 Years**

[21] Appl. No.: **67,839**

[22] Filed: **Mar. 17, 1997**

[51] **LOC (6) Cl.** **23-02**

[52] **U.S. Cl.** **D23/243**

[58] **Field of Search** D23/238-243,
D23/250-257; 4/675-678

[56] **References Cited**

U.S. PATENT DOCUMENTS

D. 213,874 4/1969 Caldell D23/238

D. 219,779 1/1971 Tiller D23/238
D. 367,697 3/1996 Hows et al. D23/238
D. 368,764 4/1996 Hill et al. D23/238
D. 393,693 4/1998 Doughty et al. D23/243

Primary Examiner—Louis S. Zarfes
Assistant Examiner—Eric Watterson
Attorney, Agent, or Firm—Joseph M. Homa

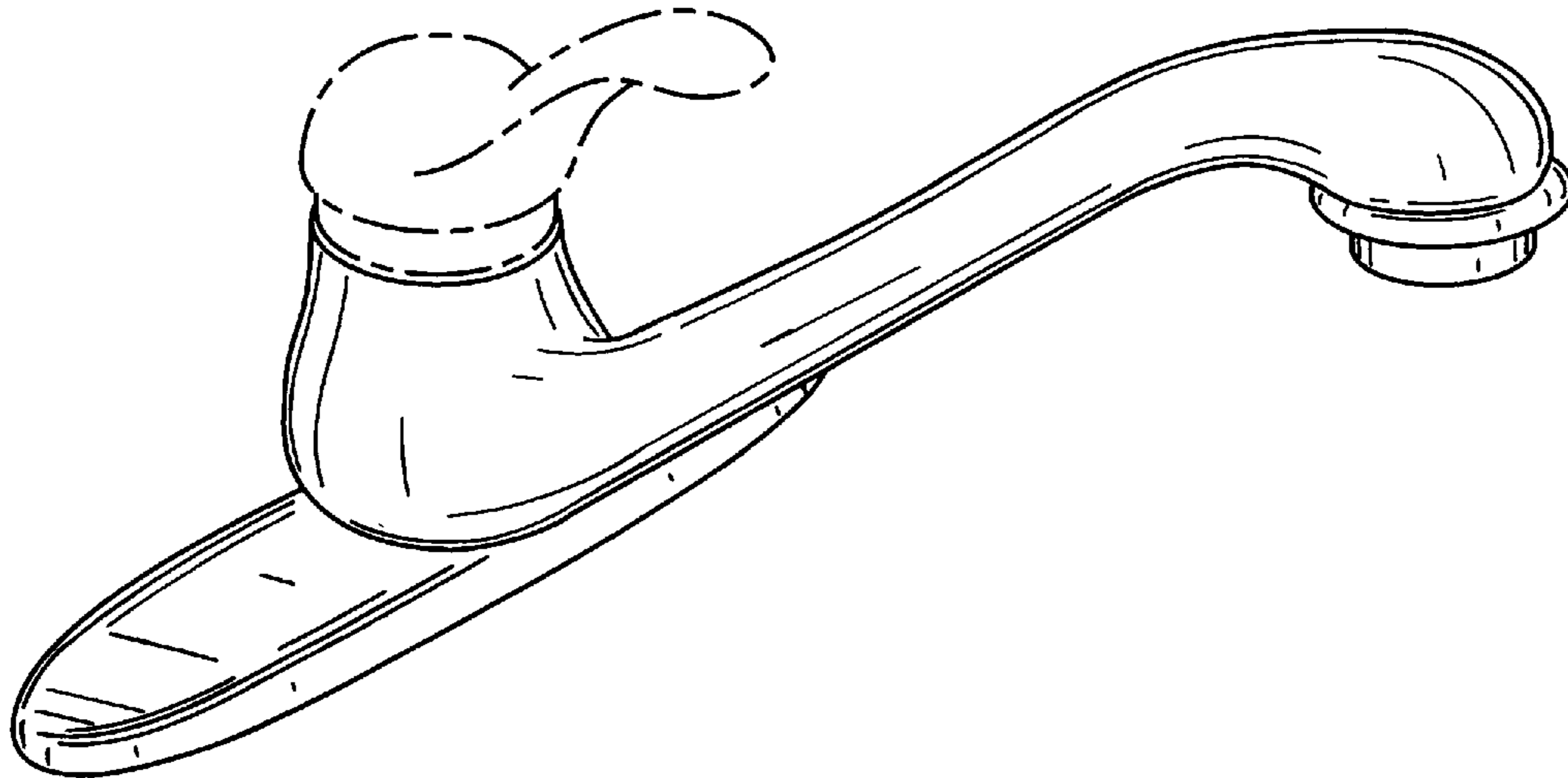
[57] **CLAIM**

The ornamental design for a fitting, as shown and described.

DESCRIPTION

FIG. 1 is a top plan view of a fitting showing our new design; FIG. 2 is a bottom plan thereof; FIG. 3 is a left side elevational view thereof, the right side being a mirror image of the left side; FIG. 4 is a rear elevational view thereof; FIG. 5 is a front elevational view thereof; and, FIG. 6 is a perspective view thereof;

1 Claim, 3 Drawing Sheets



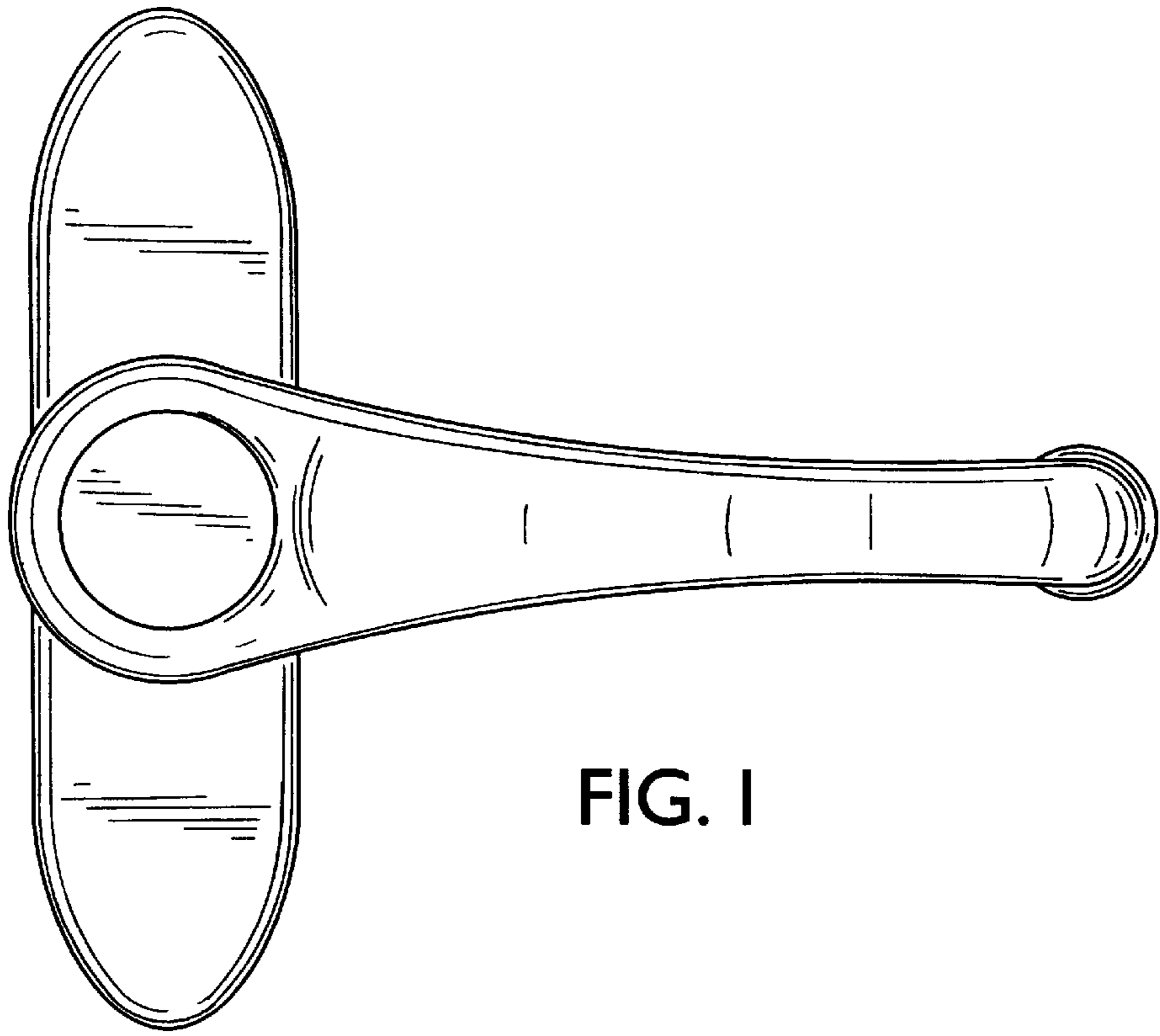


FIG. 1

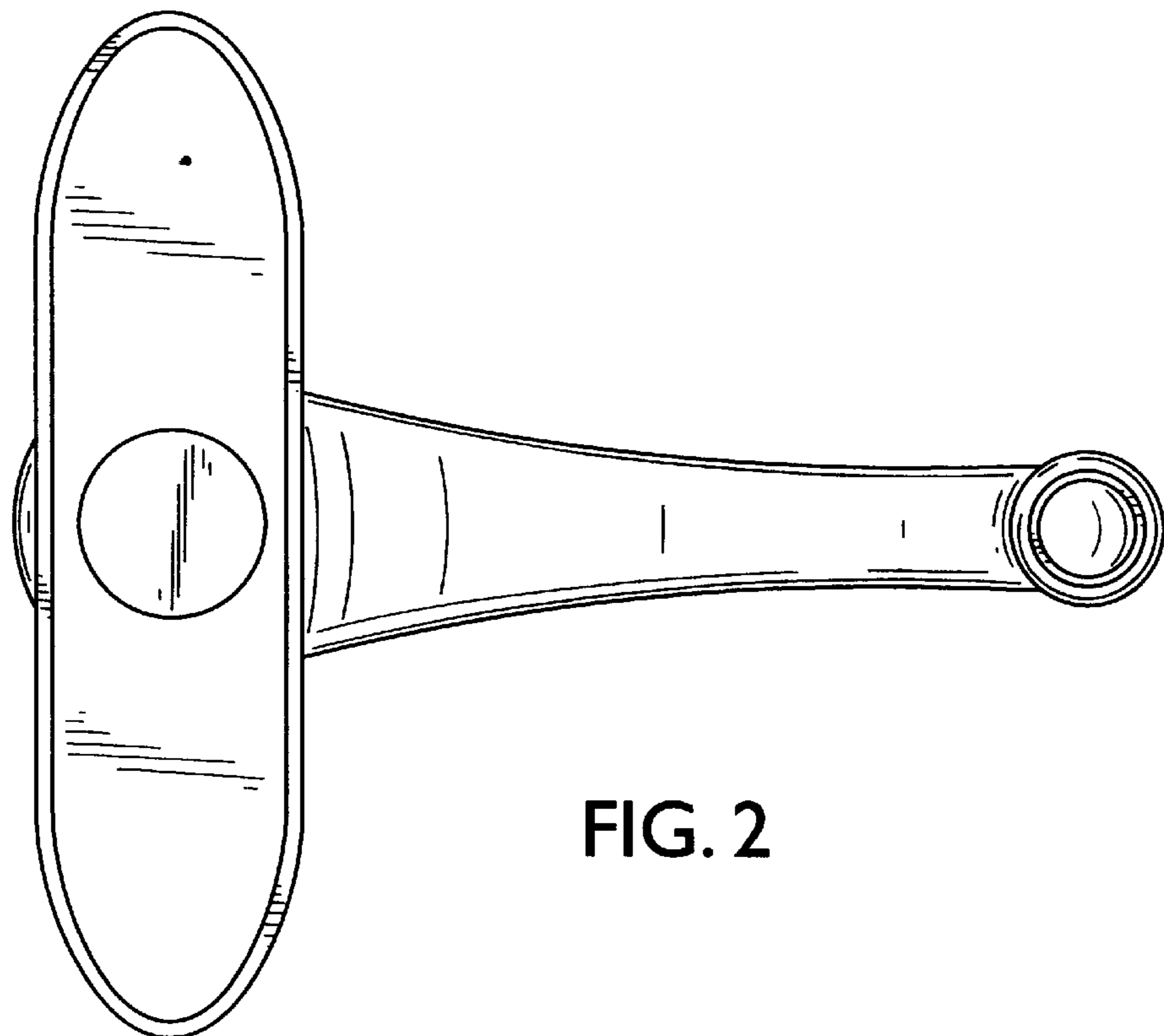


FIG. 2

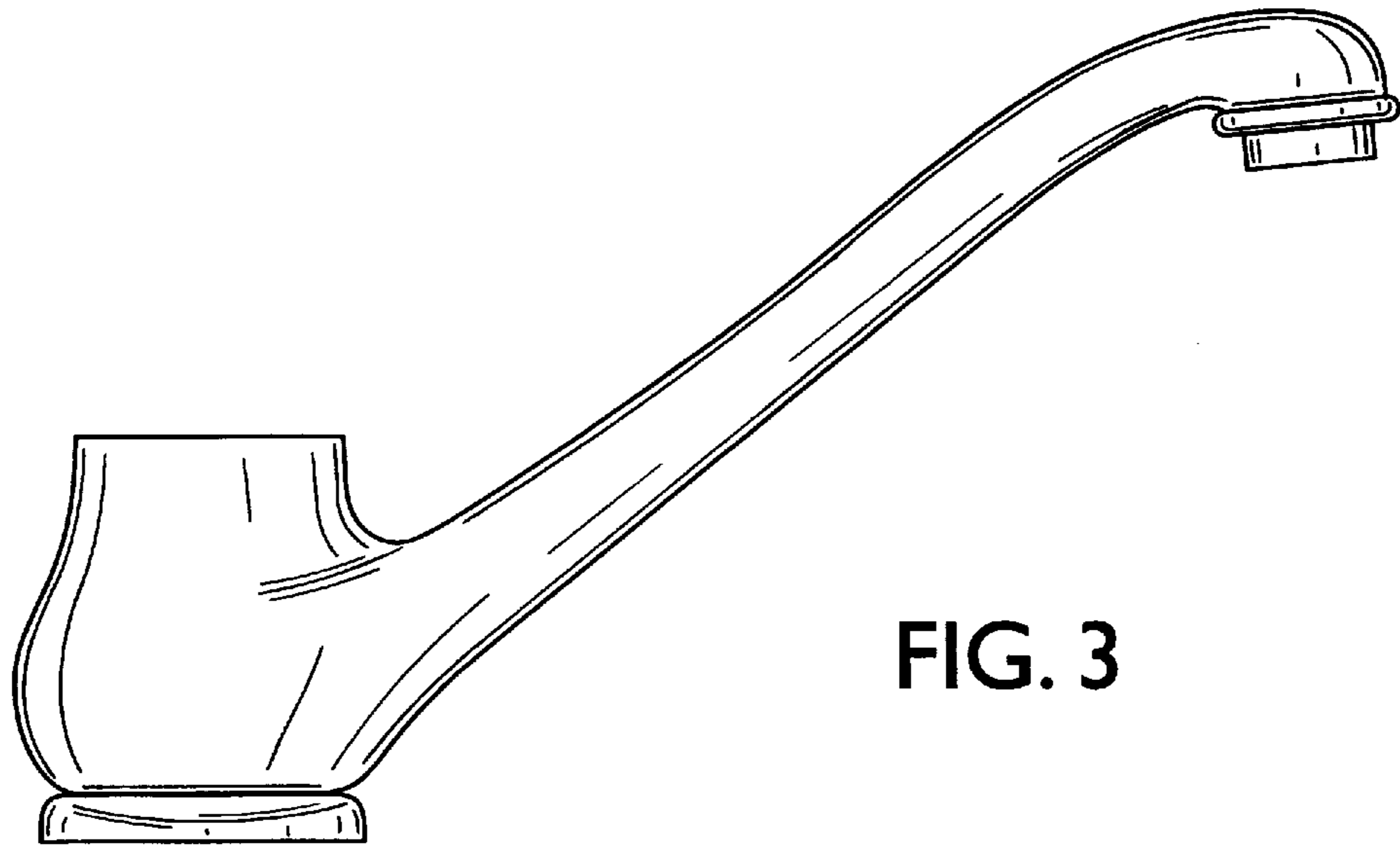


FIG. 3

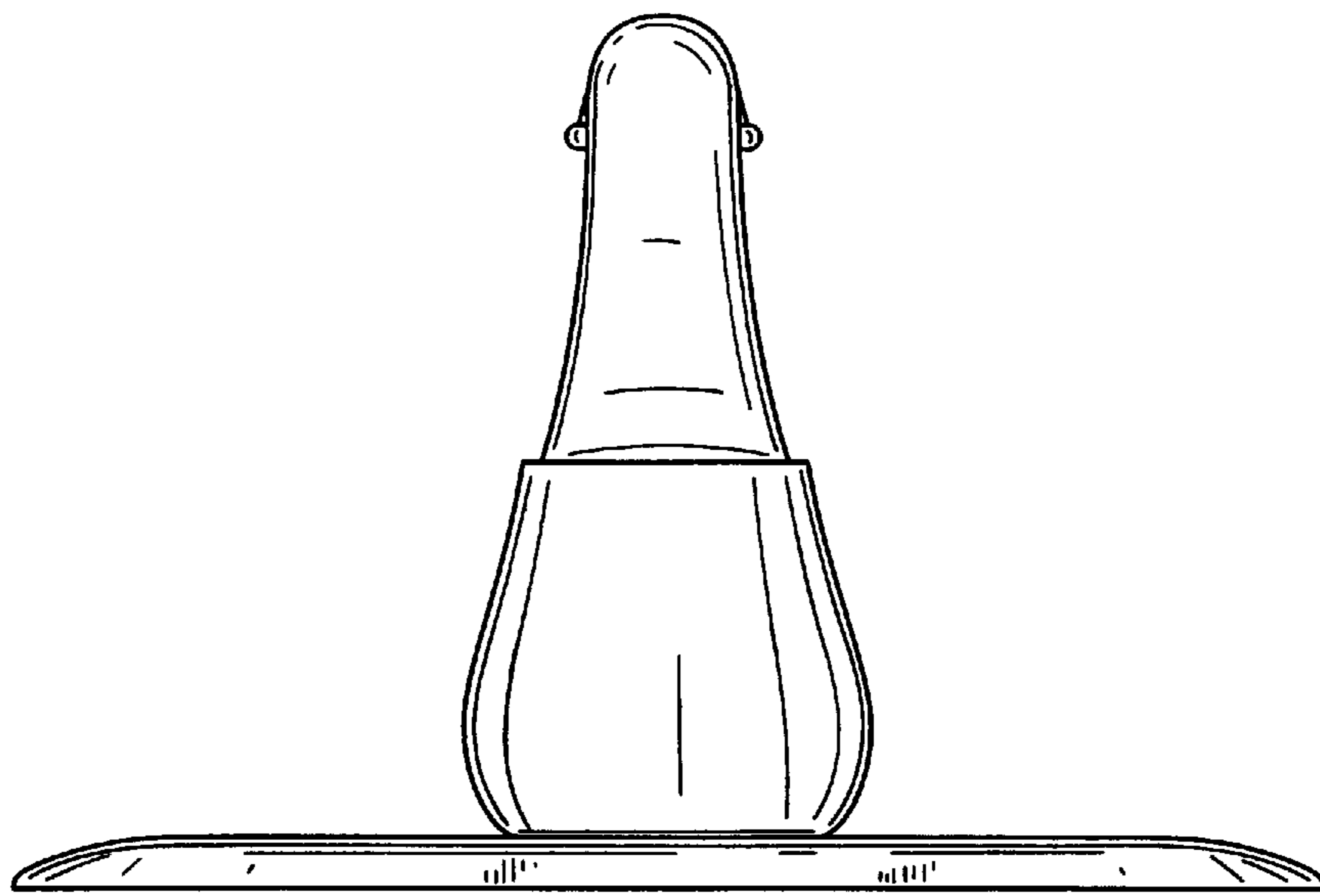


FIG. 4

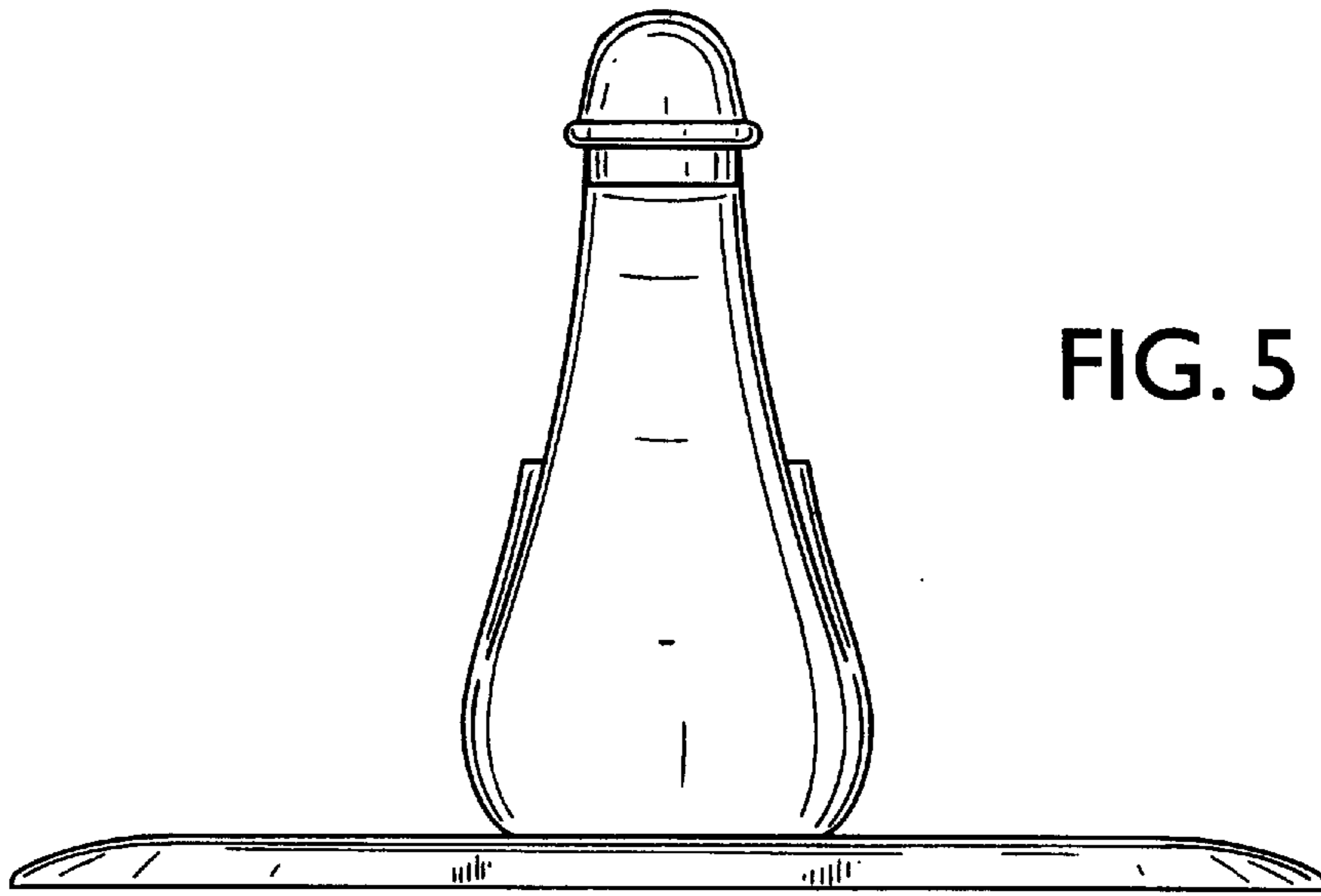


FIG. 5

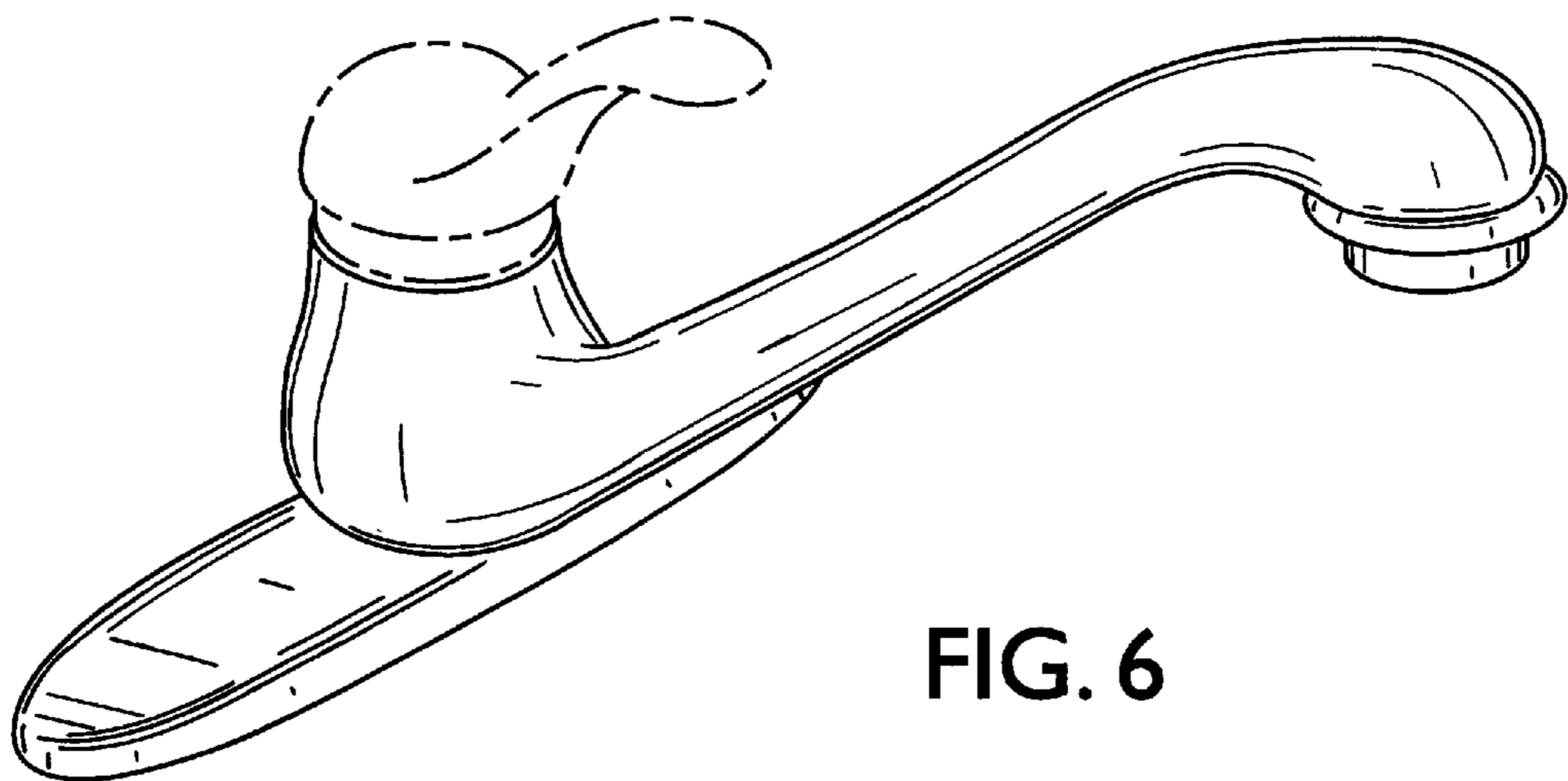


FIG. 6