



US00D407141S

# United States Patent [19] Ko

[11] **Patent Number: Des. 407,141**

[45] **Date of Patent: \*\*Mar. 23, 1999**

[54] **MIXING FAUCET BASE**

[75] Inventor: **Hsi-Chia Ko**, Changhua Hsien, Taiwan

[73] Assignee: **Chung Cheng Faucet Co., Ltd.**,  
Changhua Hsien, Taiwan

[\*\*] Term: **14 Years**

[21] Appl. No.: **83,810**

[22] Filed: **Feb. 18, 1998**

[51] **LOC (6) Cl.** ..... **23-01**

[52] **U.S. Cl.** ..... **D23/238**

[58] **Field of Search** ..... D23/238-243,  
D23/250-257; 4/675-678; 137/801

[56] **References Cited**

**U.S. PATENT DOCUMENTS**

D. 361,827 8/1995 Doughty et al. .... D23/241

D. 370,053 5/1996 Hill et al. .... D23/241

D. 382,630 8/1997 Doughty et al. .... D23/241

D. 390,638 2/1998 Ko ..... D24/241

*Primary Examiner*—Louis S. Zarfes  
*Assistant Examiner*—Eric Watterson  
*Attorney, Agent, or Firm*—Browdy and Neimark

[57] **CLAIM**

The ornamental design for “mixing faucet base”, as shown and described.

**DESCRIPTION**

FIG. 1 is a perspective view of mixing faucet base showing my new design;

FIG. 2 is a front view thereof;

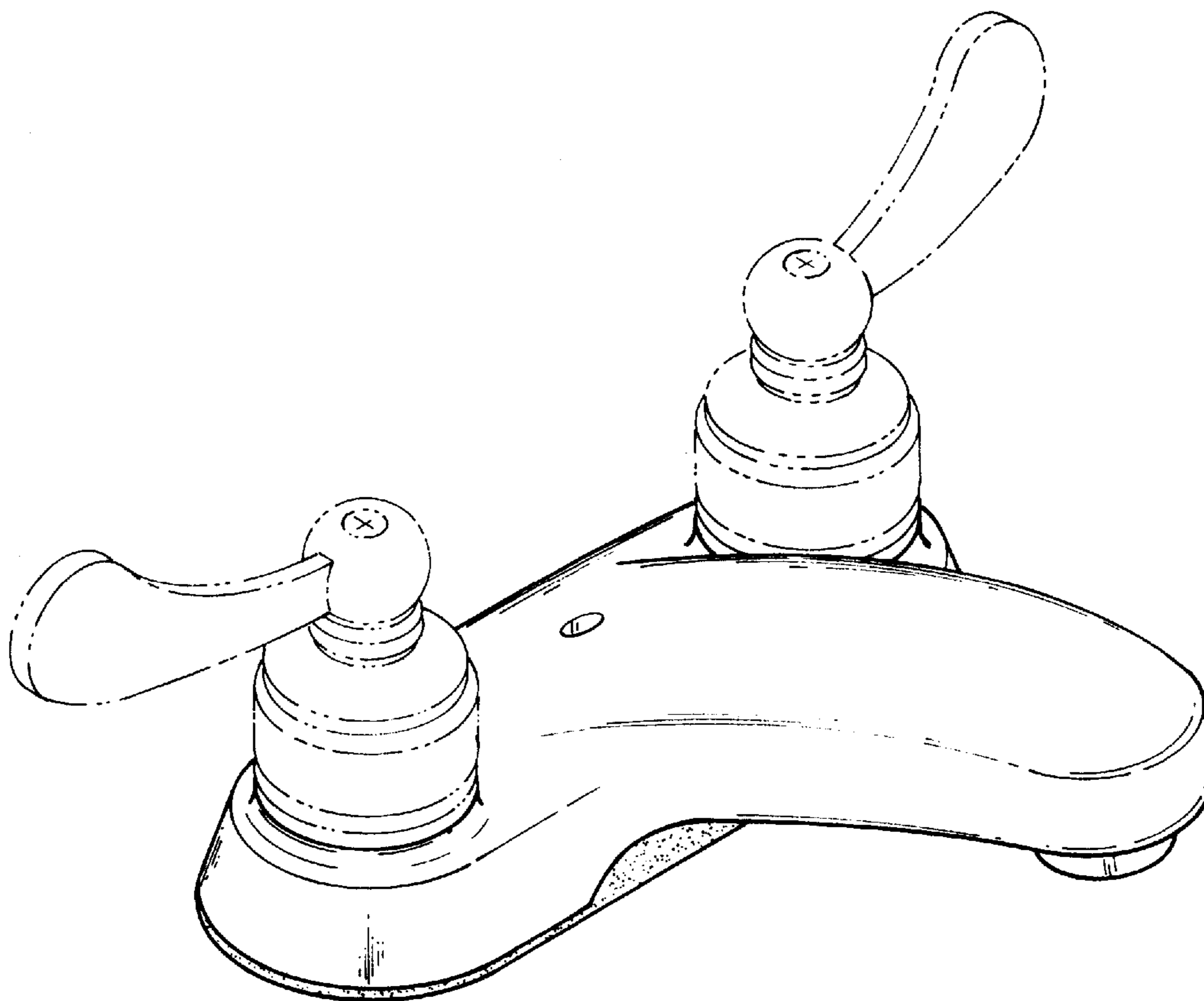
FIG. 3 is a rear view thereof;

FIG. 4 is a left side view thereof, the right side is identical;

FIG. 5 is top view thereof, and;

FIG. 6 is a bottom view thereof.

**1 Claim, 5 Drawing Sheets**



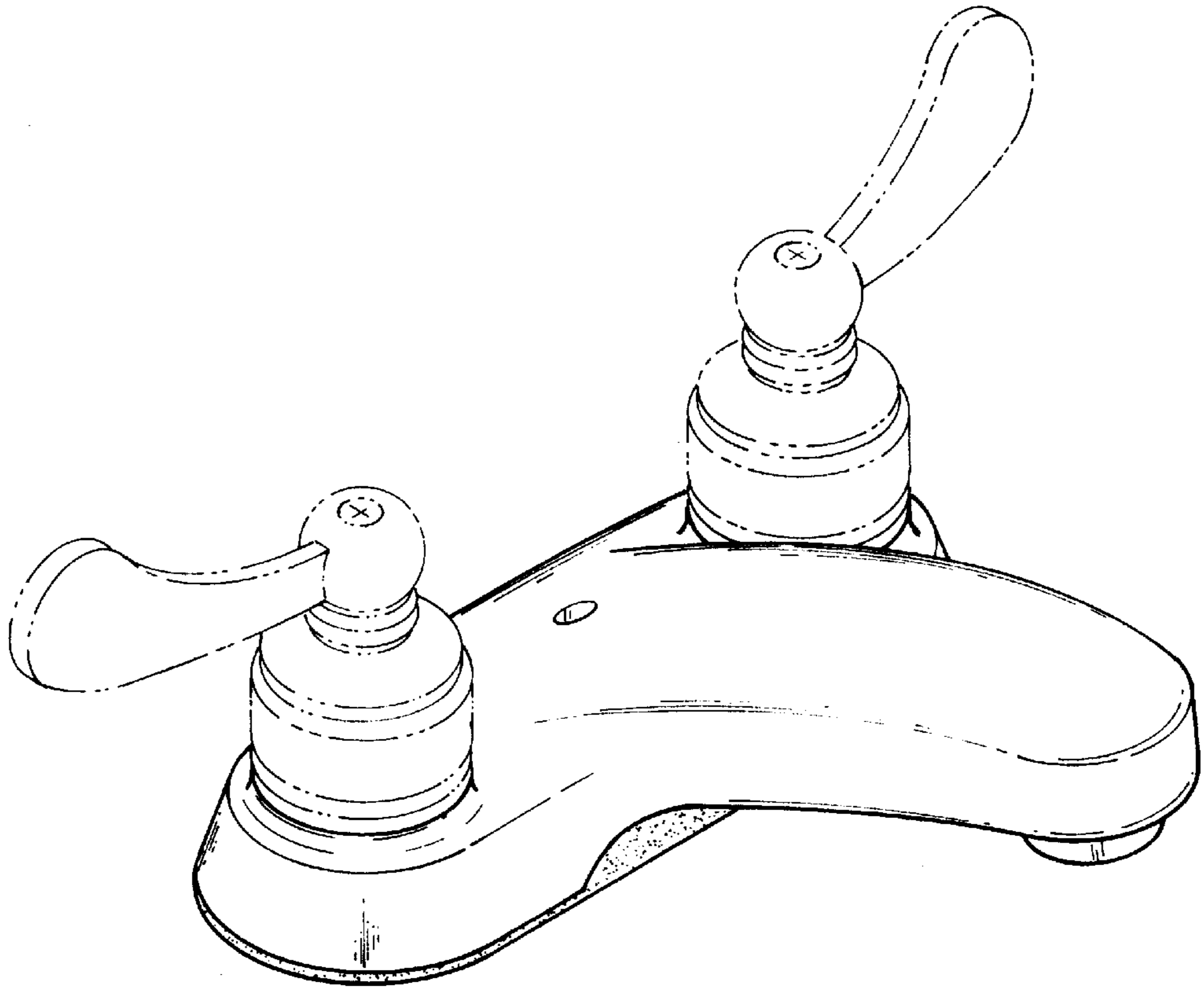


FIG 1

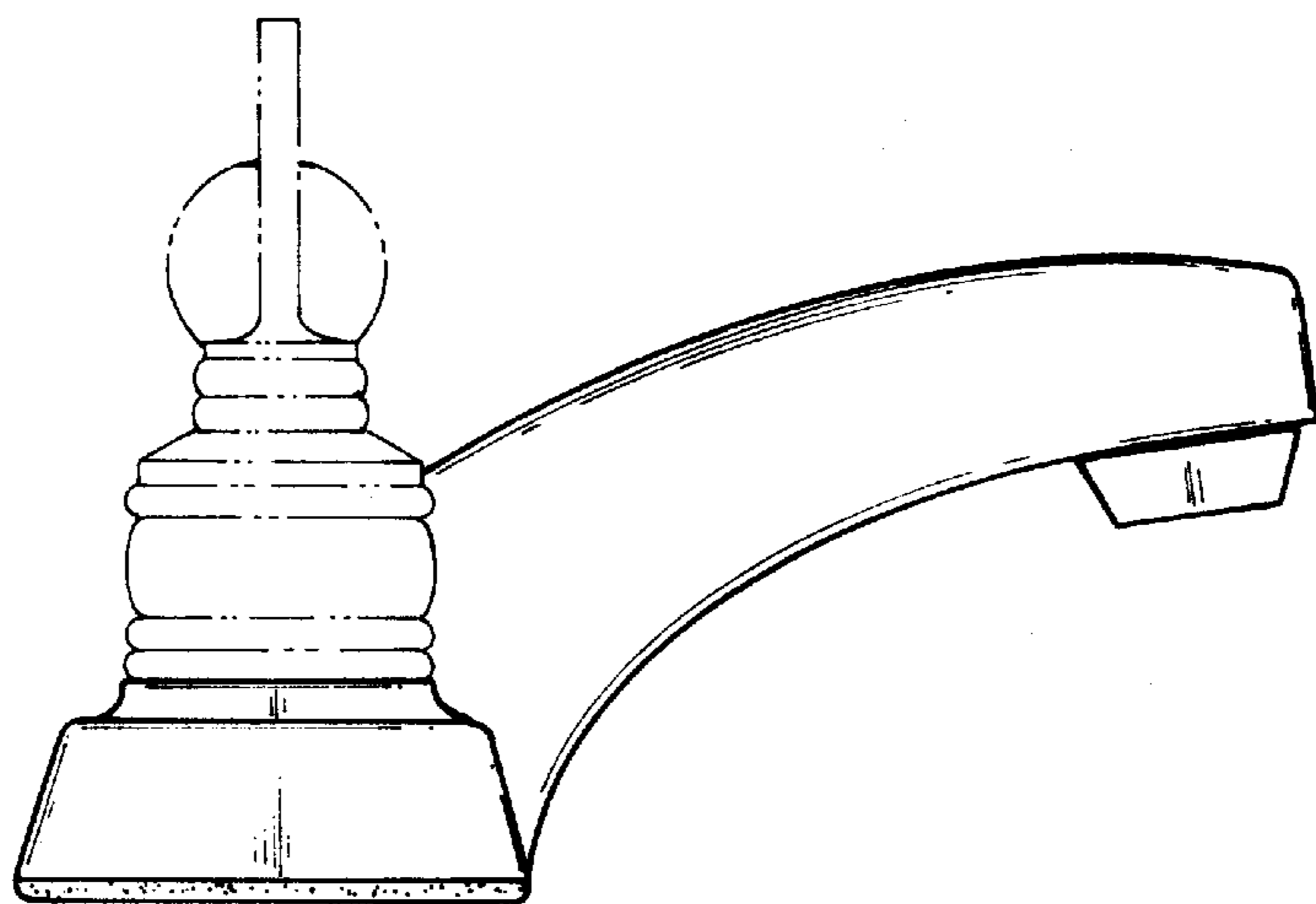


FIG 4

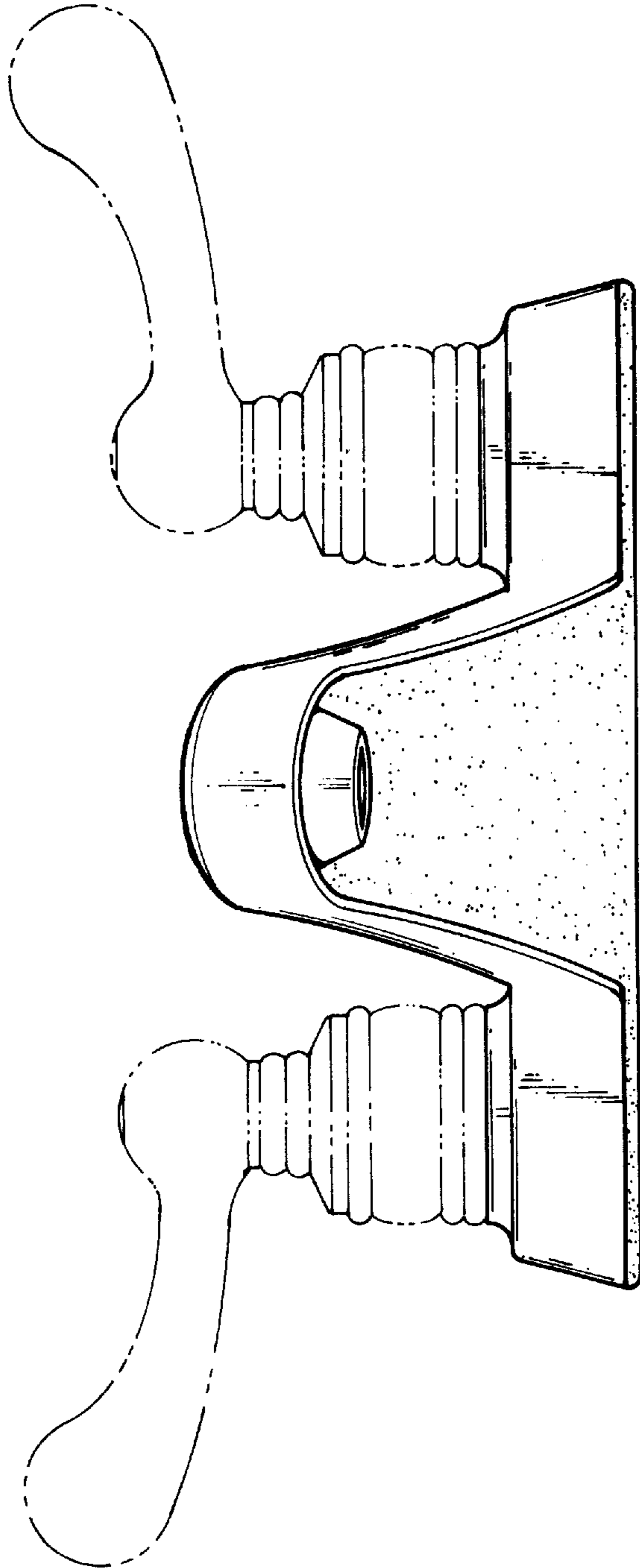


FIG 2

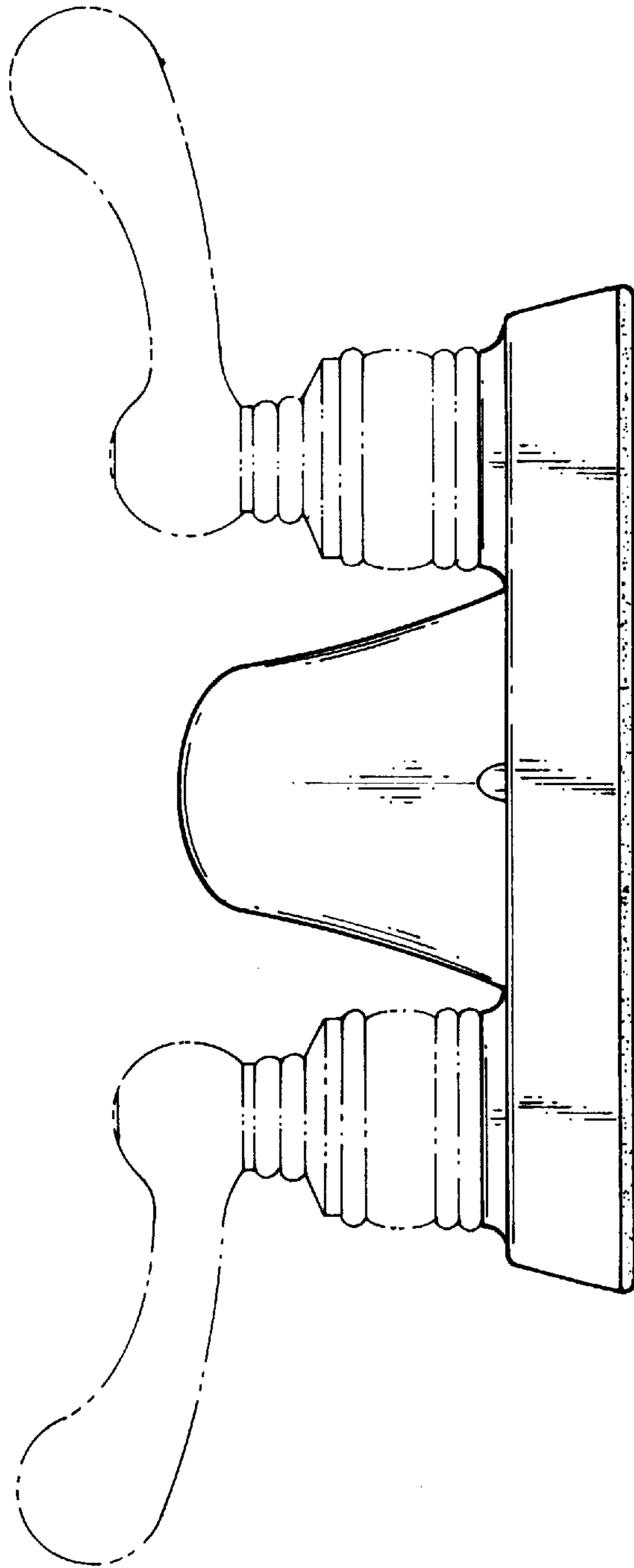


FIG 3

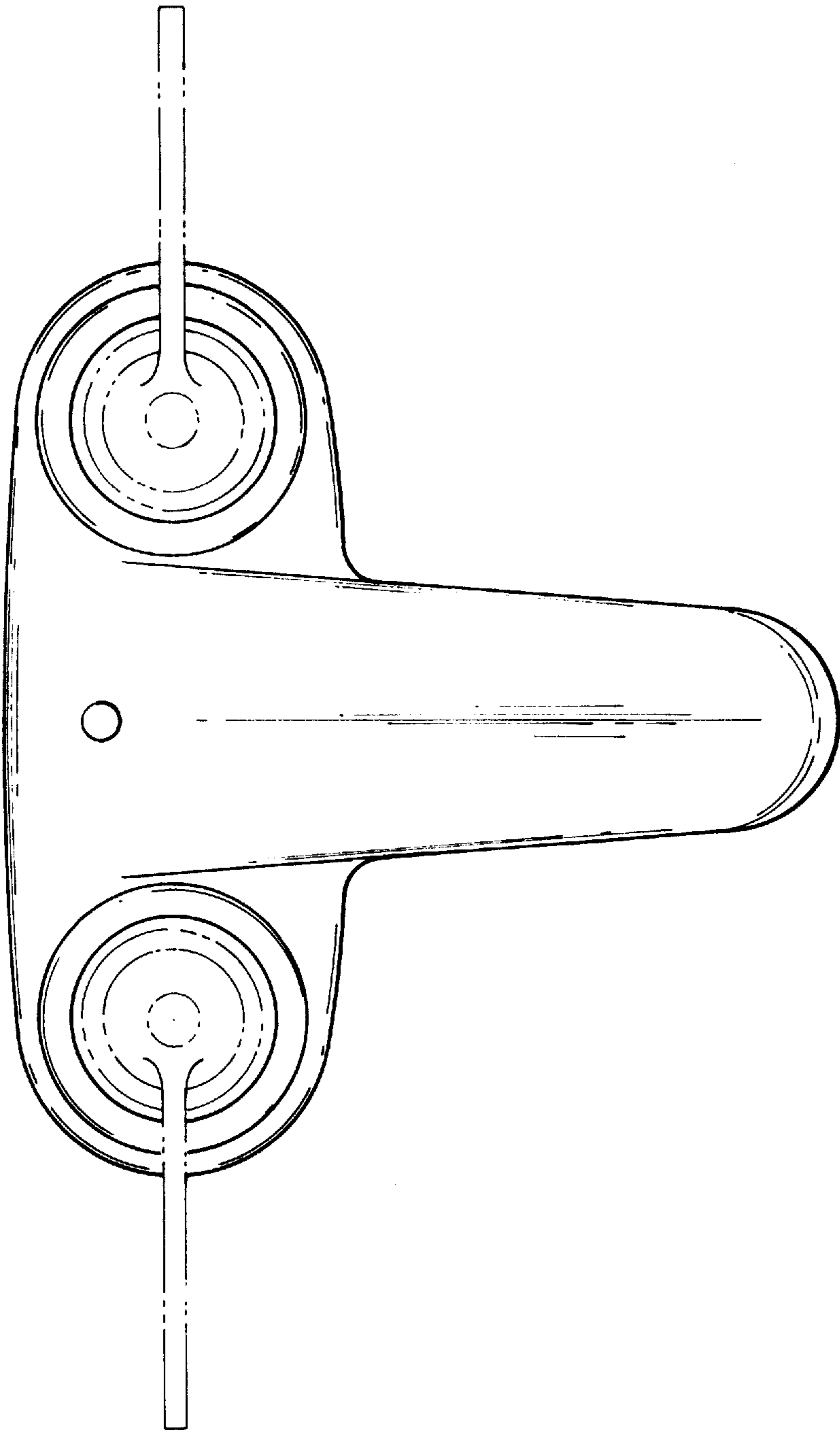


FIG 5

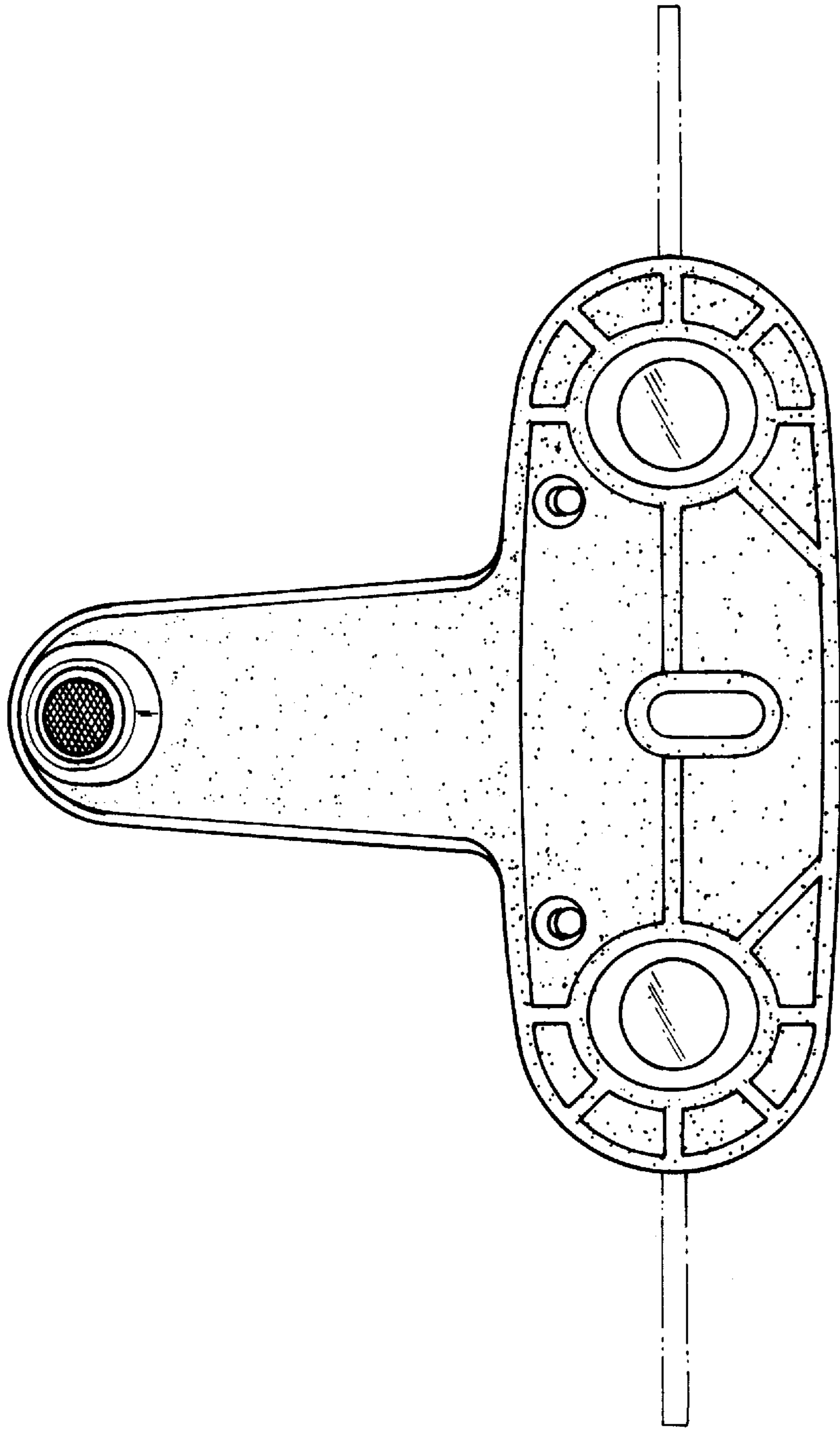


FIG 6