



US00D407140S

# United States Patent [19]

Heren

[11] Patent Number: Des. 407,140

[45] Date of Patent: \*\*Mar. 23, 1999

[54] PISTOL HOSE NOZZLE HAVING A MULTIPLE SPRAY HEAD

[75] Inventor: Lawrence P. Heren, East Peoria, Ill.

[73] Assignee: L.R. Nelson Corporation, Peoria, Ill.

[\*\*] Term: 14 Years

[21] Appl. No.: 85,466

[22] Filed: Mar. 24, 1998

[51] LOC (6) Cl. .... 23-01

[52] U.S. Cl. .... D23/223

[58] Field of Search ..... D23/200, 213, D23/223-226, 229, 230; 239/461, 462, 525-528

### [56] References Cited

#### U.S. PATENT DOCUMENTS

- D. 148,892 3/1948 Swimmer .
- D. 185,186 5/1959 Beinert .
- D. 194,014 11/1962 Gilmour .
- D. 225,222 11/1972 Gilmour .
- D. 225,736 1/1973 Mango et al. .
- 246,673 9/1881 Hall .
- D. 251,917 5/1979 Morgan .
- D. 270,657 9/1983 Clivio et al. .
- D. 291,725 9/1987 Huckenbeck .
- D. 300,348 3/1989 Lubeck .
- D. 314,609 2/1991 Liaw et al. .
- D. 325,620 4/1992 Heren .
- D. 328,780 8/1992 Aquilina .
- D. 361,122 8/1995 Goodin .
- D. 370,713 6/1996 Guo ..... D23/223
- D. 370,962 6/1996 Aguilina ..... D23/223
- D. 373,813 9/1996 Guo ..... D23/223
- D. 373,814 9/1996 Wang .

- D. 379,491 5/1997 Goodin .
- D. 384,398 9/1997 Wang ..... D23/223
- D. 391,627 5/1998 Goodin .
- 2,937,813 5/1960 Rinkewich .
- 2,991,945 7/1961 Rosenkranz .
- 3,111,273 11/1963 Mei .
- 3,219,162 11/1965 Dadson .
- 3,799,447 3/1974 Beal .
- 4,534,512 8/1985 Chow et al. .
- 4,618,100 10/1986 White et al. .
- 4,903,897 2/1990 Hayes .
- 5,232,162 8/1993 Chih .
- 5,566,886 10/1996 Wang .

#### OTHER PUBLICATIONS

Nelson catalog; Rain Miser #2270; p. 28, 1995.  
Water Whiz brochure, p. 3, (1994).

Primary Examiner—Alan P. Douglas  
Assistant Examiner—Robin V. Taylor  
Attorney, Agent, or Firm—Mayer, Brown & Platt

### [57] CLAIM

The ornamental design for a pistol hose nozzle having a multiple spray head, as shown and described.

#### DESCRIPTION

FIG. 1 is a top perspective view showing the pistol hose nozzle having a multiple spray head of my new design; FIG. 2 is a right side elevational view thereof, the left side elevational view being a mirror image of the right side elevational view; FIG. 3 is a top plan view thereof; FIG. 4 is a bottom plan view thereof; FIG. 5 is a front elevational view thereof; and, FIG. 6 is a rear elevational view thereof.

1 Claim, 2 Drawing Sheets

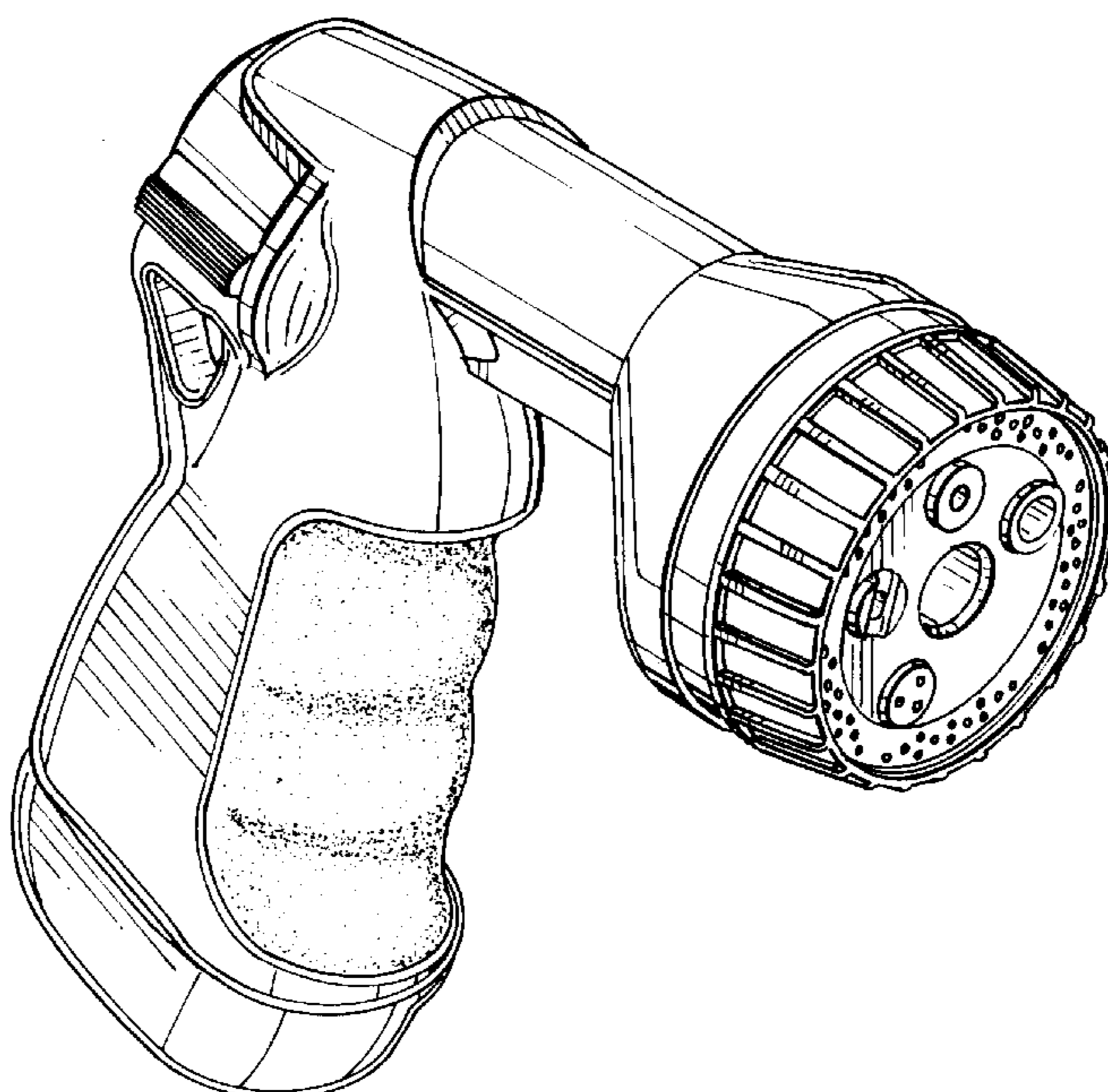


FIG. 1

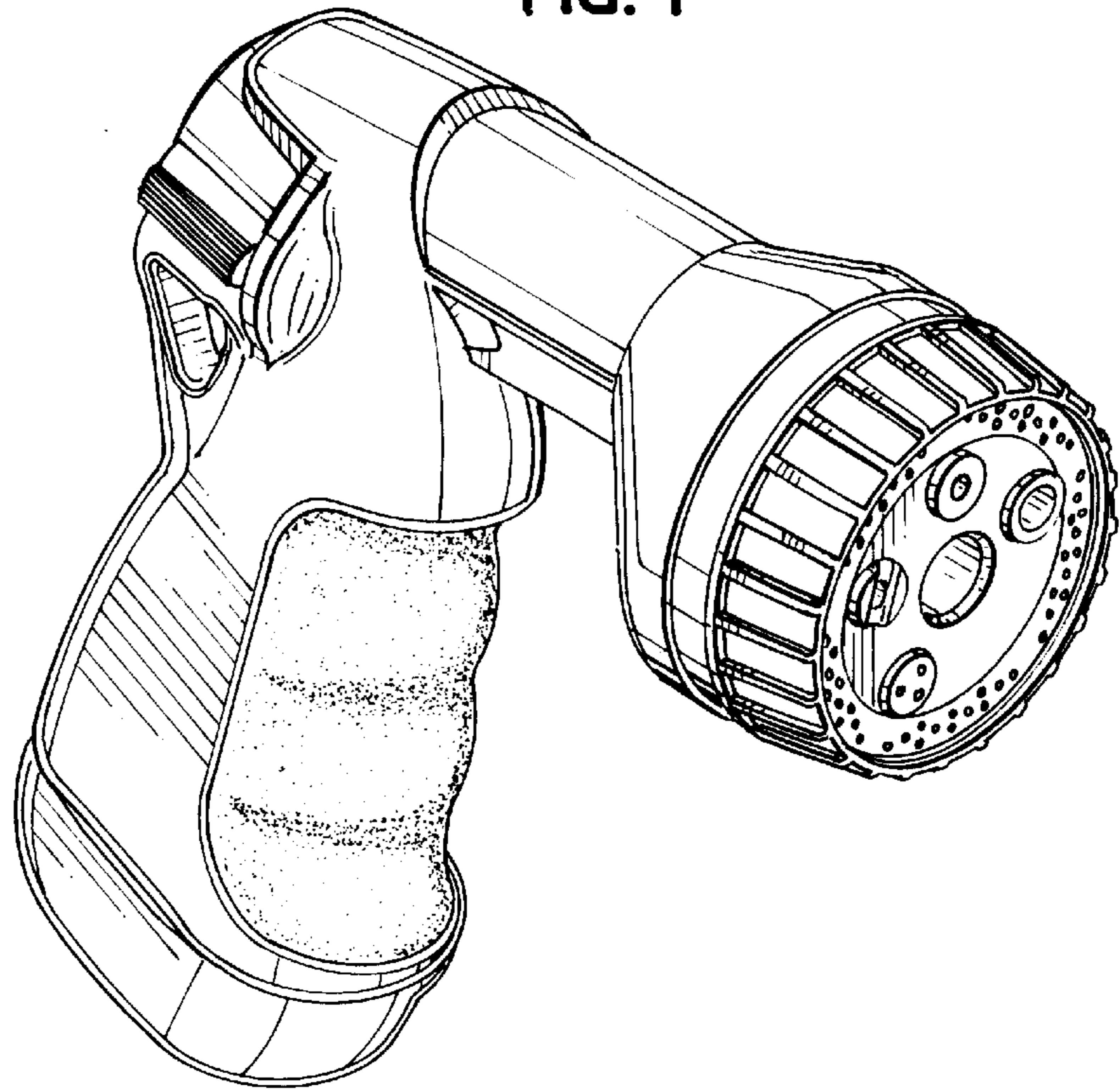


FIG. 2

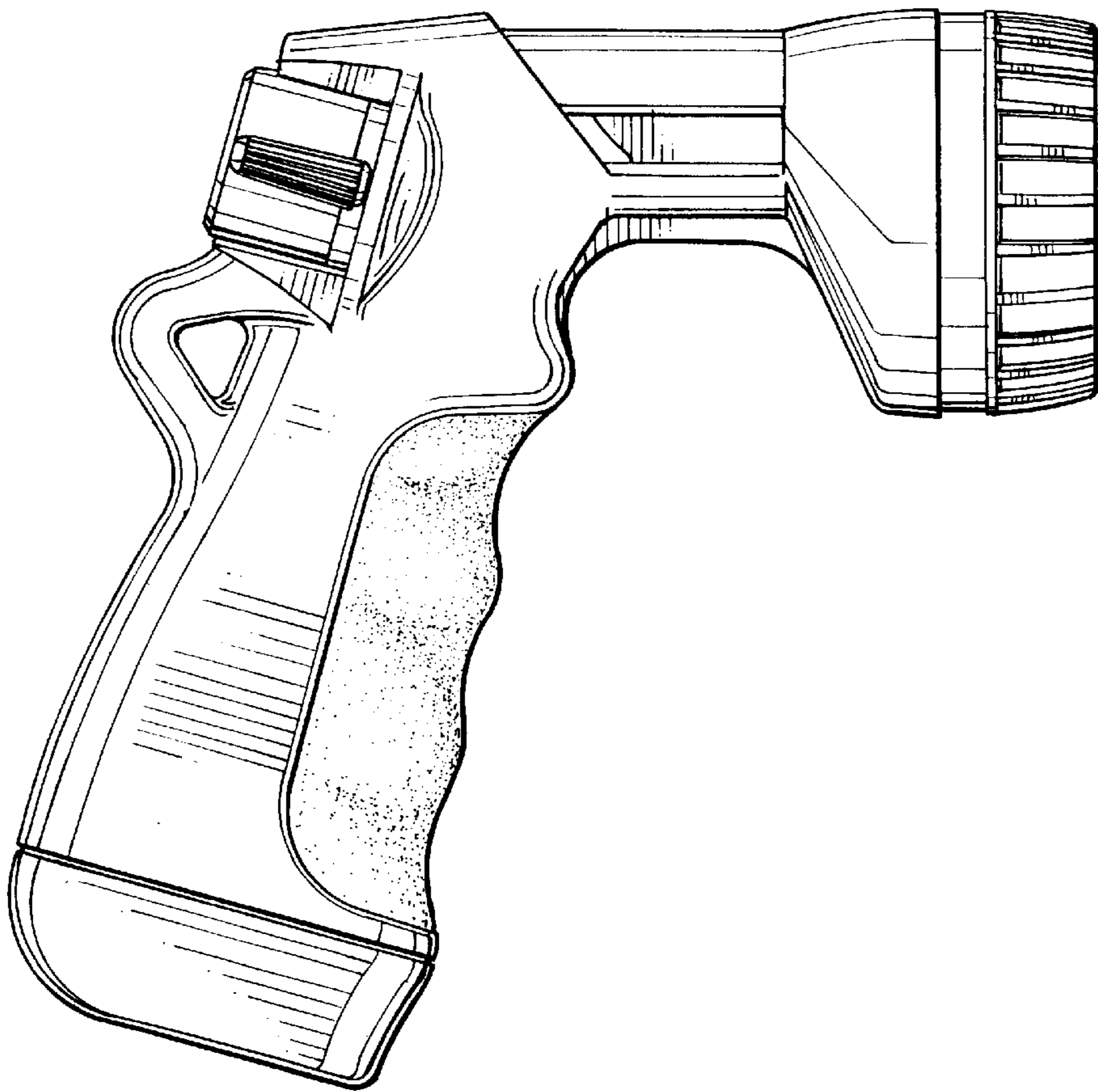


FIG. 3

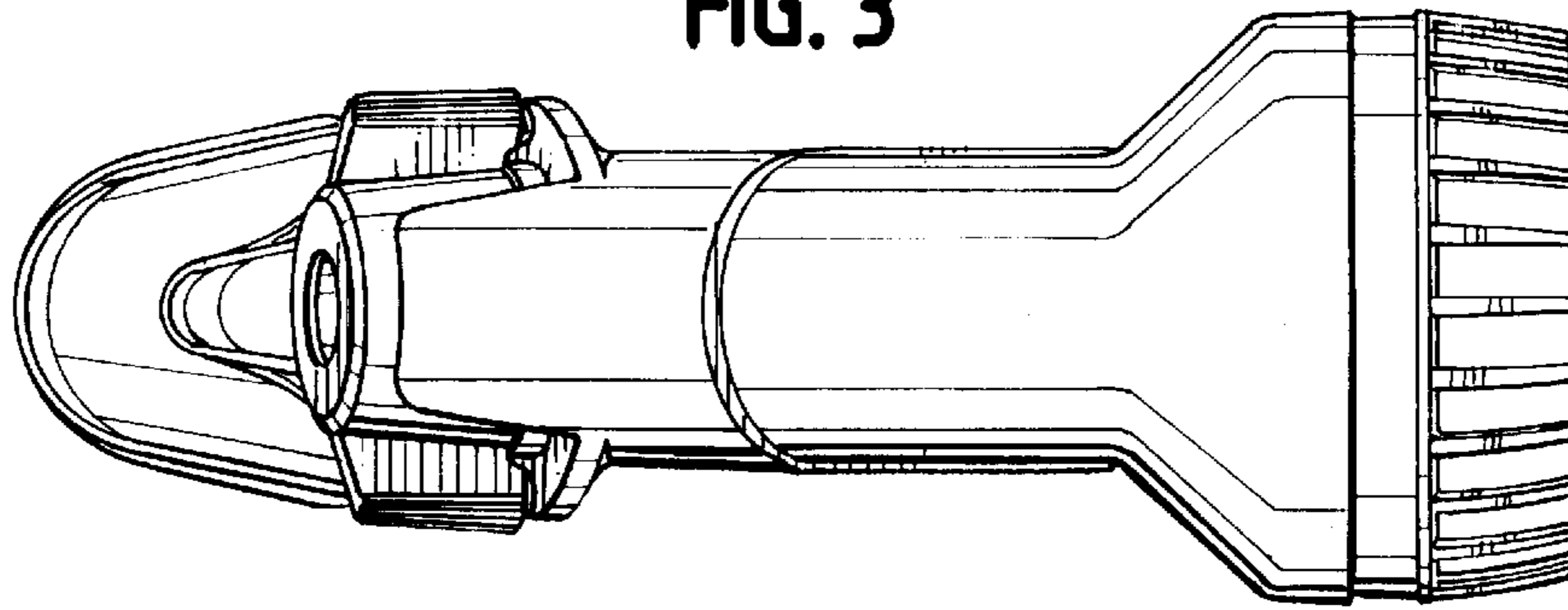


FIG. 4

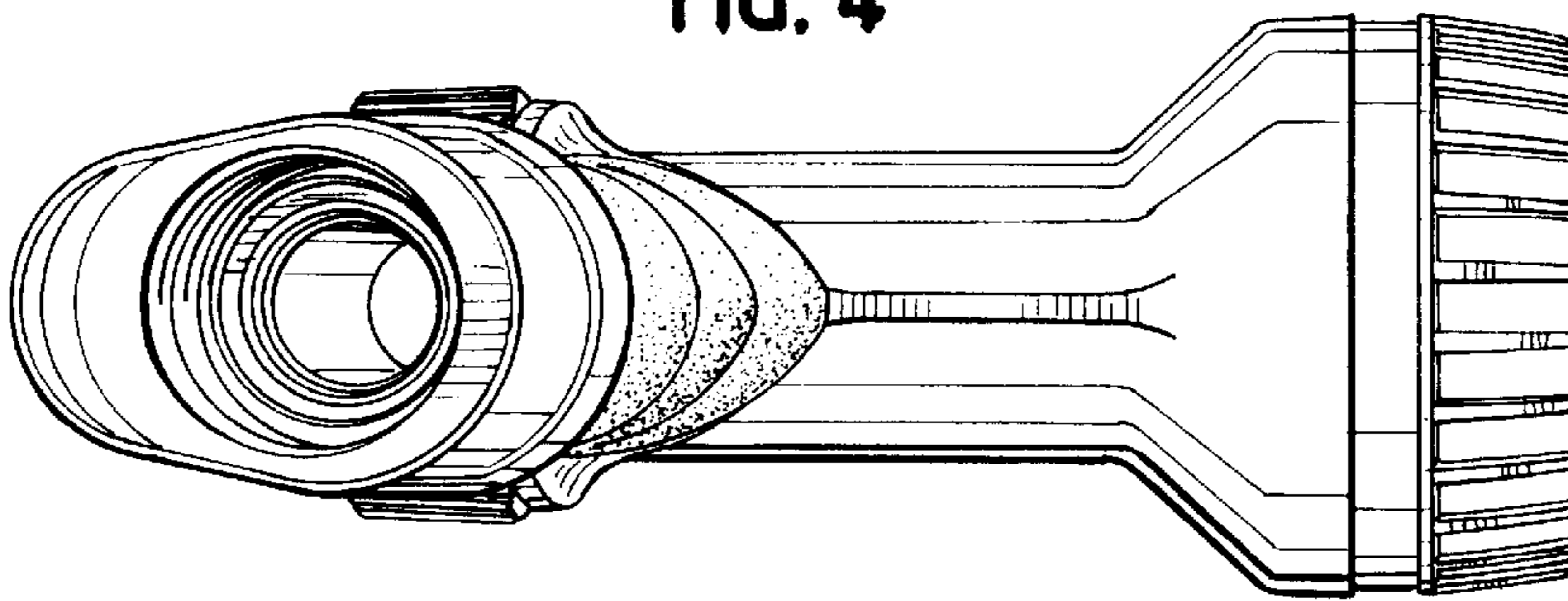


FIG. 5

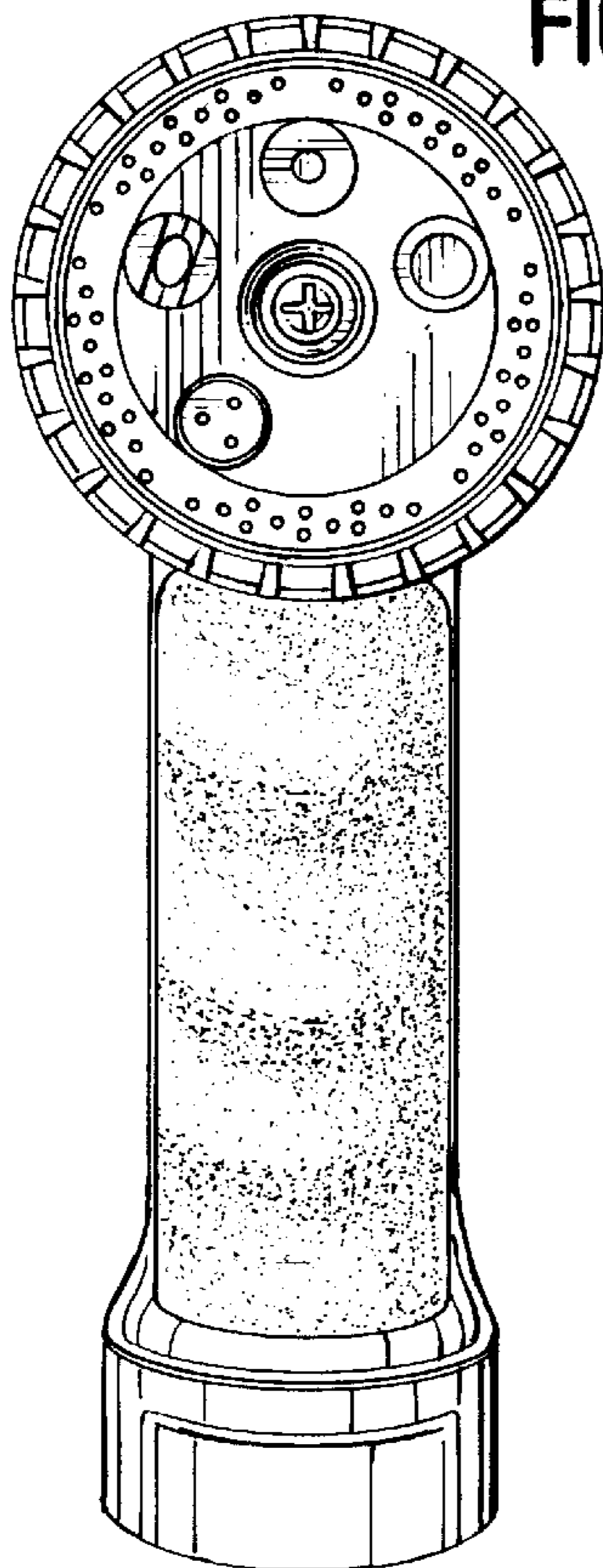


FIG. 6

