



US00D407138S

United States Patent [19] Zito

[11] **Patent Number: Des. 407,138**

[45] **Date of Patent: **Mar. 23, 1999**

[54] **LIQUID CO₂ REFILLING DEVICE**

[75] Inventor: **Richard R. Zito**, Tucson, Ariz.

[73] Assignee: **Richard R. Zito R & D Corp.**,
Tucson, Ariz.

[**] Term: **14 Years**

[21] Appl. No.: **67,643**

[22] Filed: **Mar. 3, 1997**

[51] **LOC (6) Cl.** **23-01**

[52] **U.S. Cl.** **D23/200**

[58] **Field of Search** D23/233, 235,
D23/245-248, 200; 137/557, 571, 886,
887; D10/49

[56] **References Cited**

U.S. PATENT DOCUMENTS

D. 156,391 12/1949 Wertheimer D23/235
D. 372,071 7/1996 Zito D23/200

4,936,343 6/1990 Pruitt et al. 137/571

5,022,364 6/1991 Phillips 137/557

5,113,905 5/1992 Pruitt et al. 137/571

5,797,419 8/1998 Perrott et al. 137/624.11

Primary Examiner—Alan P. Douglas

Assistant Examiner—Robin V. Taylor

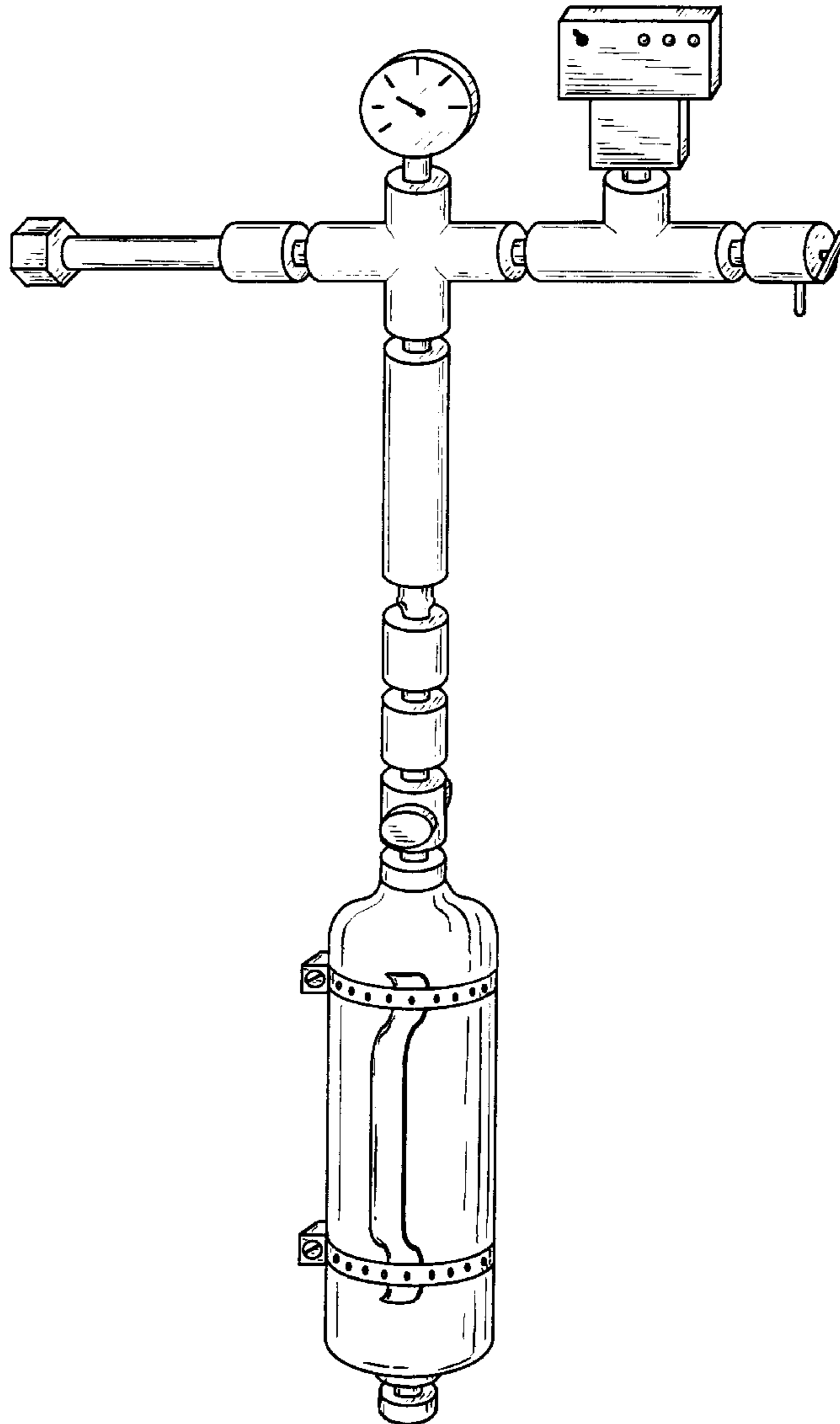
[57] **CLAIM**

The ornamental design for a liquid CO₂ refilling device, as shown.

DESCRIPTION

FIG. 1 is a perspective view;
FIG. 2 is a side view;
FIG. 3 is an opposite side view;
FIG. 4 is a front view;
FIG. 5 is a back view;
FIG. 6 is a top view; and,
FIG. 7 is a bottom view.

1 Claim, 7 Drawing Sheets



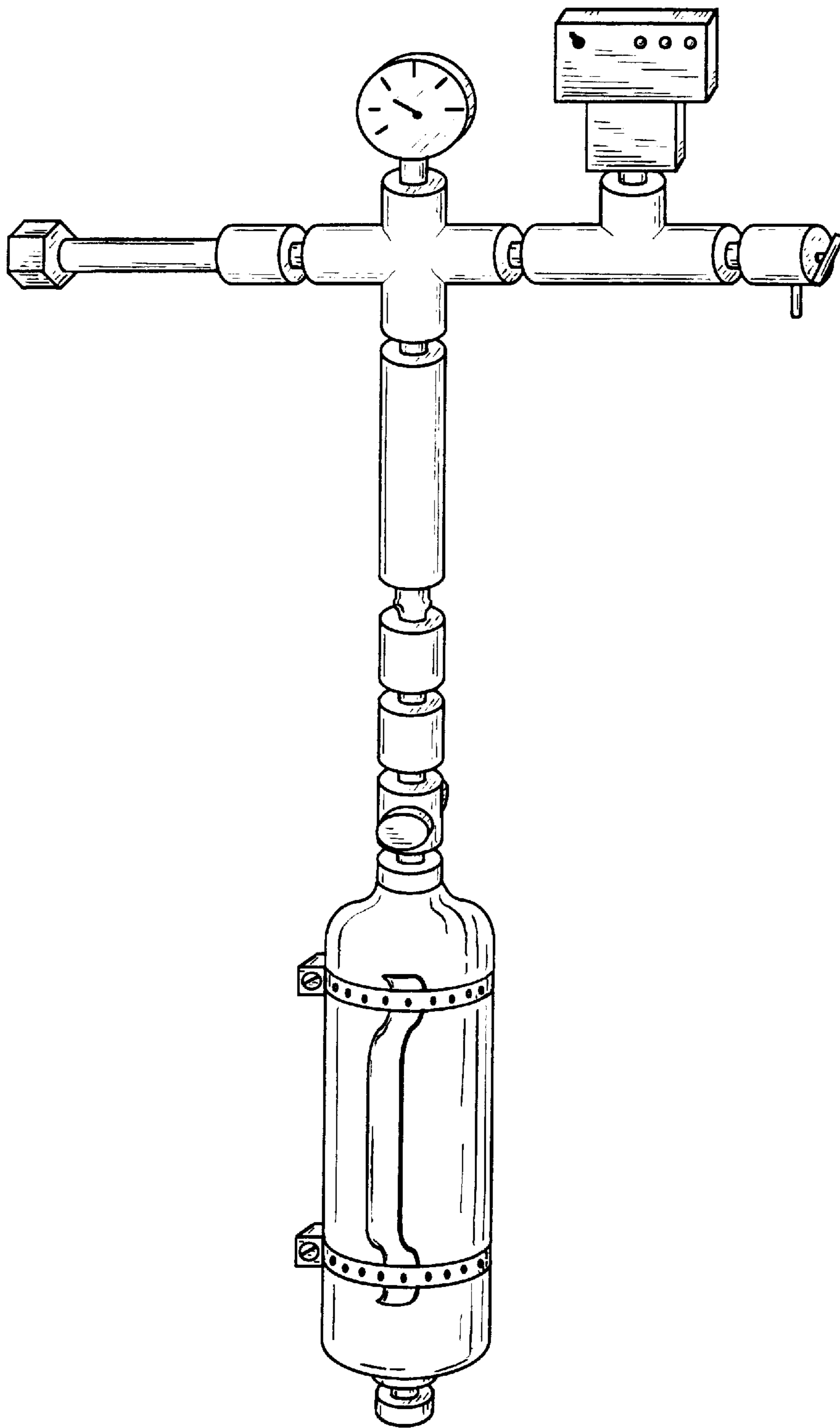


fig. 1

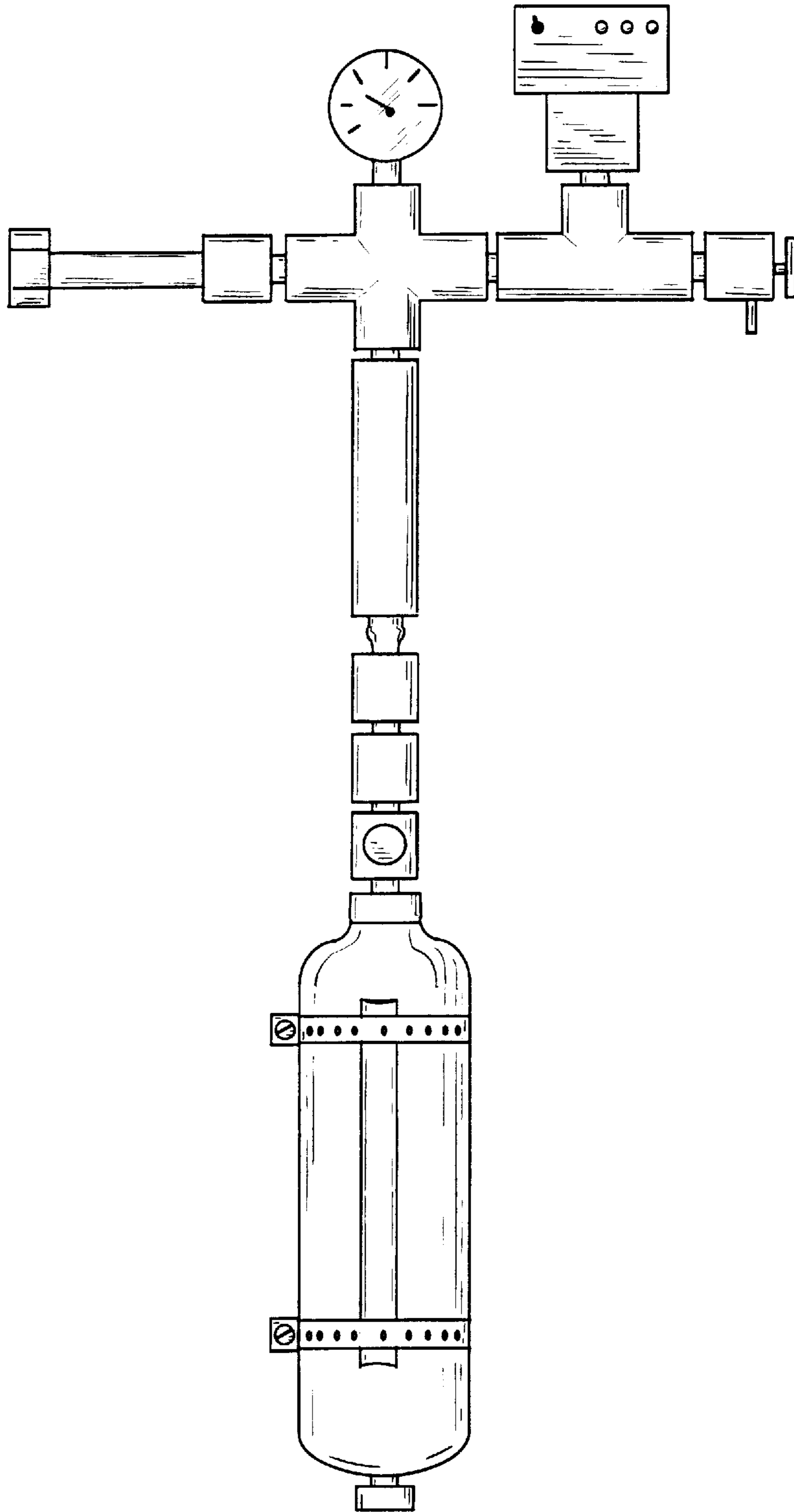


fig. 2

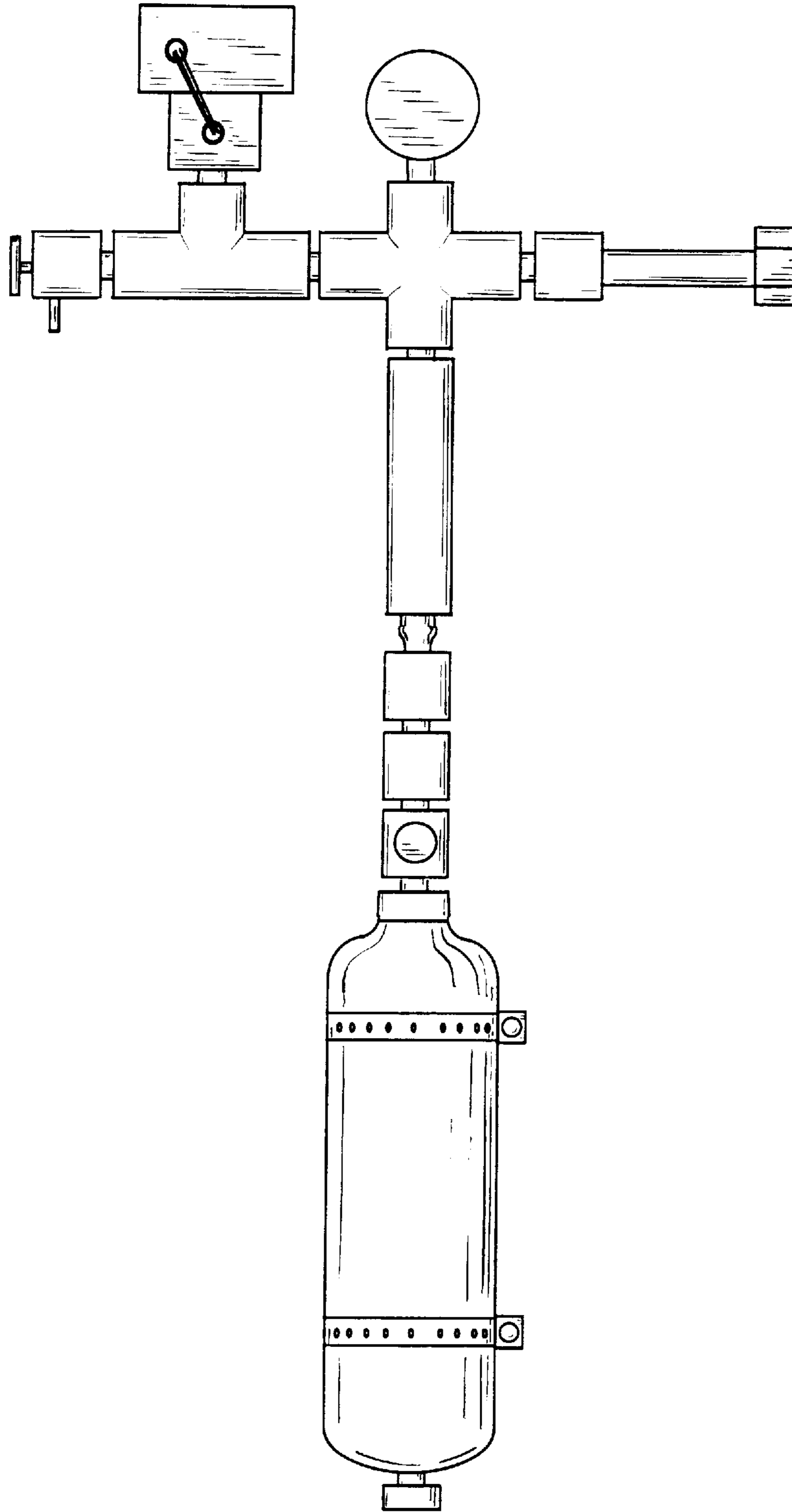


fig. 3

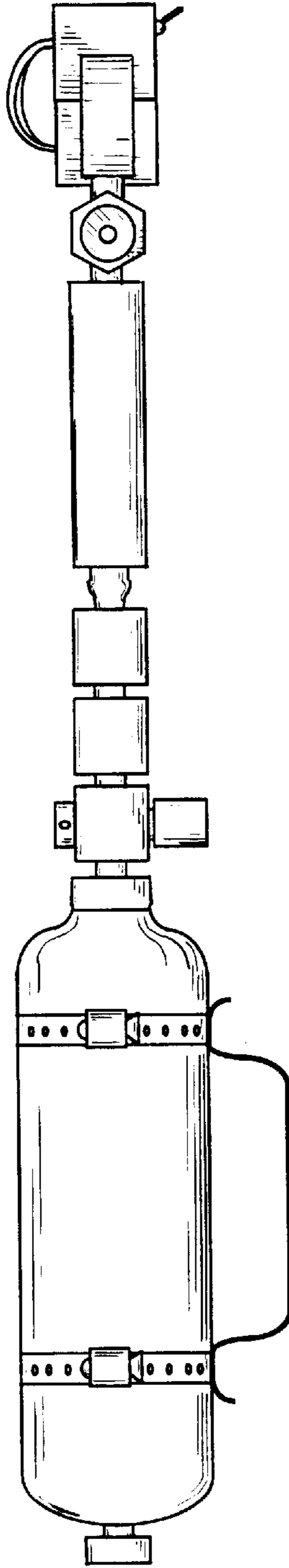


fig. 4

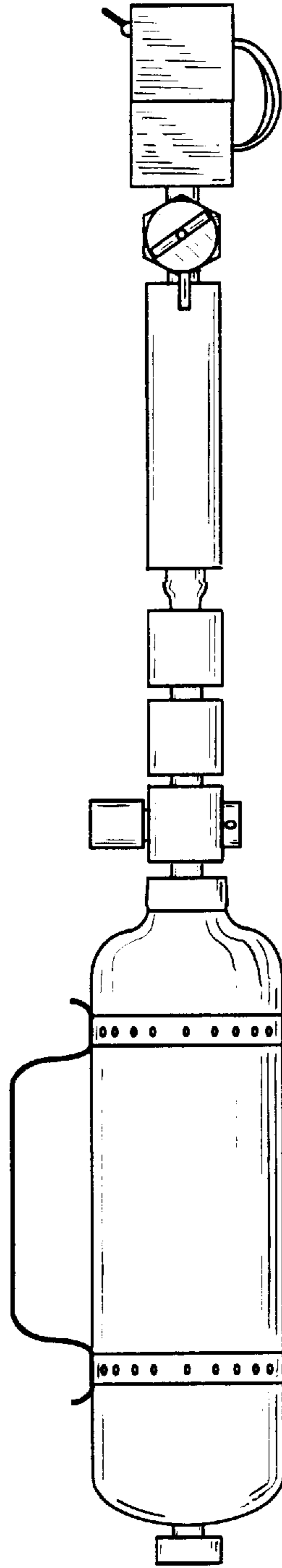


fig. 5

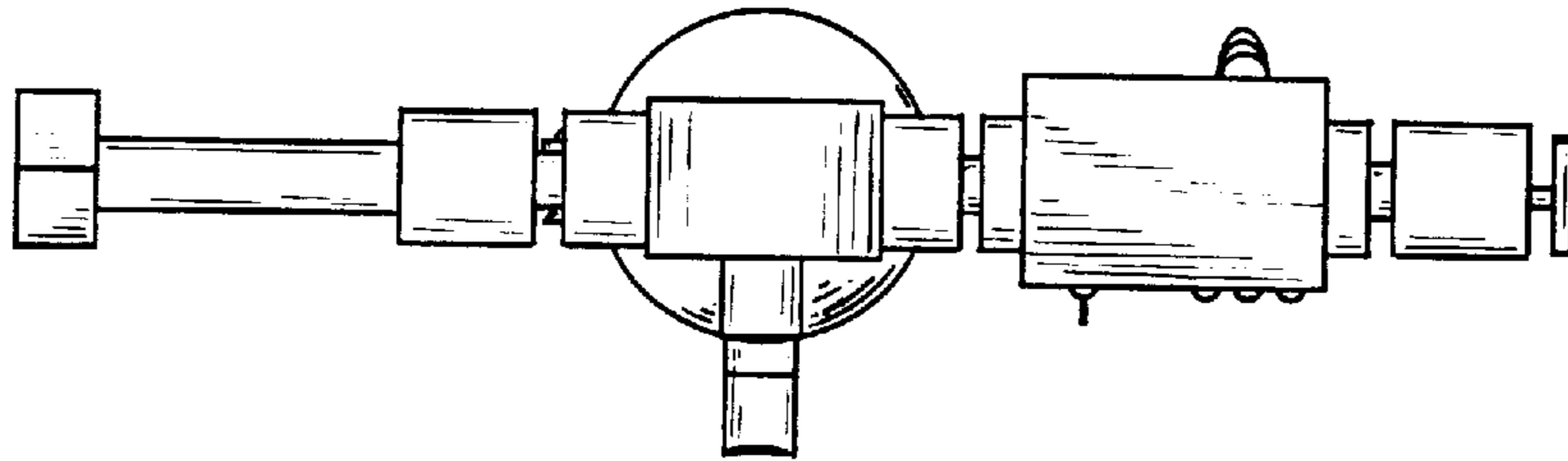


fig. 6

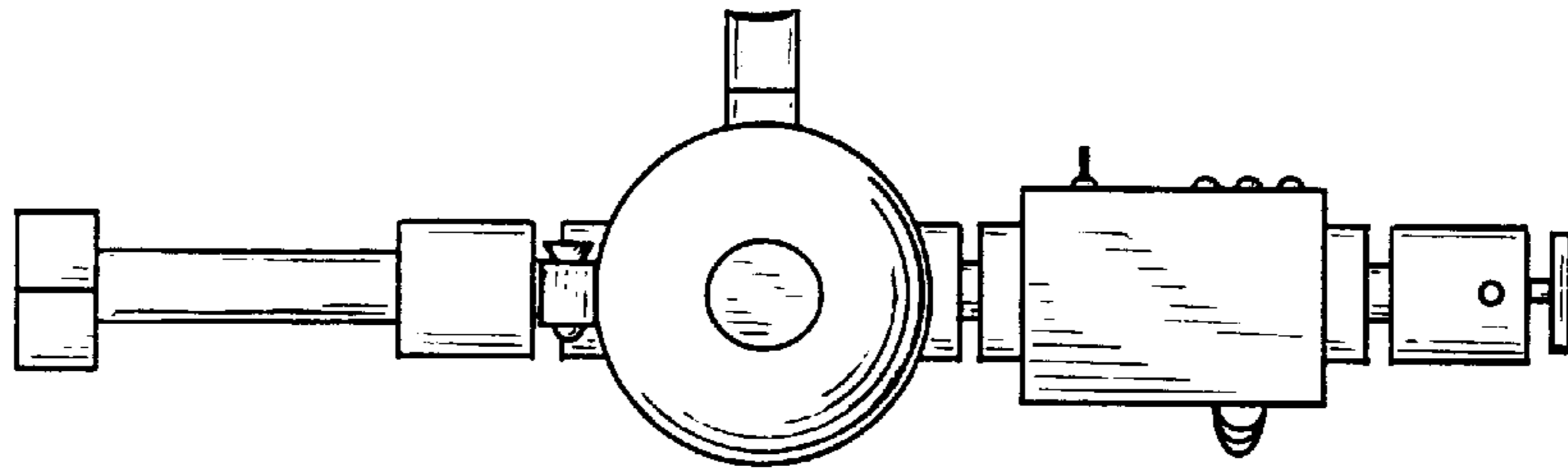


fig. 7