

US00D407137S

# United States Patent [19] Thompson

[11] **Patent Number: Des. 407,137**

[45] **Date of Patent: \*\*Mar. 23, 1999**

[54] **FISHING ROD HOLDER**

[76] Inventor: **David Thompson**, 4012 N. 30th Ave.,  
Hollywood, Fla. 33020

[\*\*] Term: **14 Years**

[21] Appl. No.: **74,619**

[22] Filed: **Aug. 5, 1997**

2,954,909	10/1960	Miller et al. ....	D22/147
2,995,855	8/1961	Bell .....	D22/147
4,198,775	4/1980	Leisner .....	43/21.2
4,551,939	11/1985	Kitchens .....	43/21.2
4,650,146	3/1987	Duke .....	43/21.2
5,313,734	5/1994	Roberts .....	43/21.2
5,446,989	9/1995	Stange et al. ....	43/21.2

### Related U.S. Application Data

[62] Division of Ser. No. 55,624, Jun. 10, 1996, Pat. No. Des. 386,557.

[51] **LOC (6) Cl. .... 22-05**

[52] **U.S. Cl. .... D22/147**

[58] **Field of Search .... D22/147, 139,  
D22/148; 43/21.2; 248/518, 534, 535, 536,  
538, 514, 512**

### References Cited

#### U.S. PATENT DOCUMENTS

D. 188,853	9/1960	Bell .....	D22/147
D. 273,689	5/1984	Rhodes .....	D22/139
D. 366,091	1/1996	Delekta et al. ....	D22/147
D. 378,398	3/1997	Osburn .....	D22/147
D. 386,557	11/1997	Thompson .....	D22/147

*Primary Examiner*—Doris V. Coles  
*Attorney, Agent, or Firm*—Herbert L. Lerner; Laurence A. Greenberg; Werner H. Stemer

### [57] CLAIM

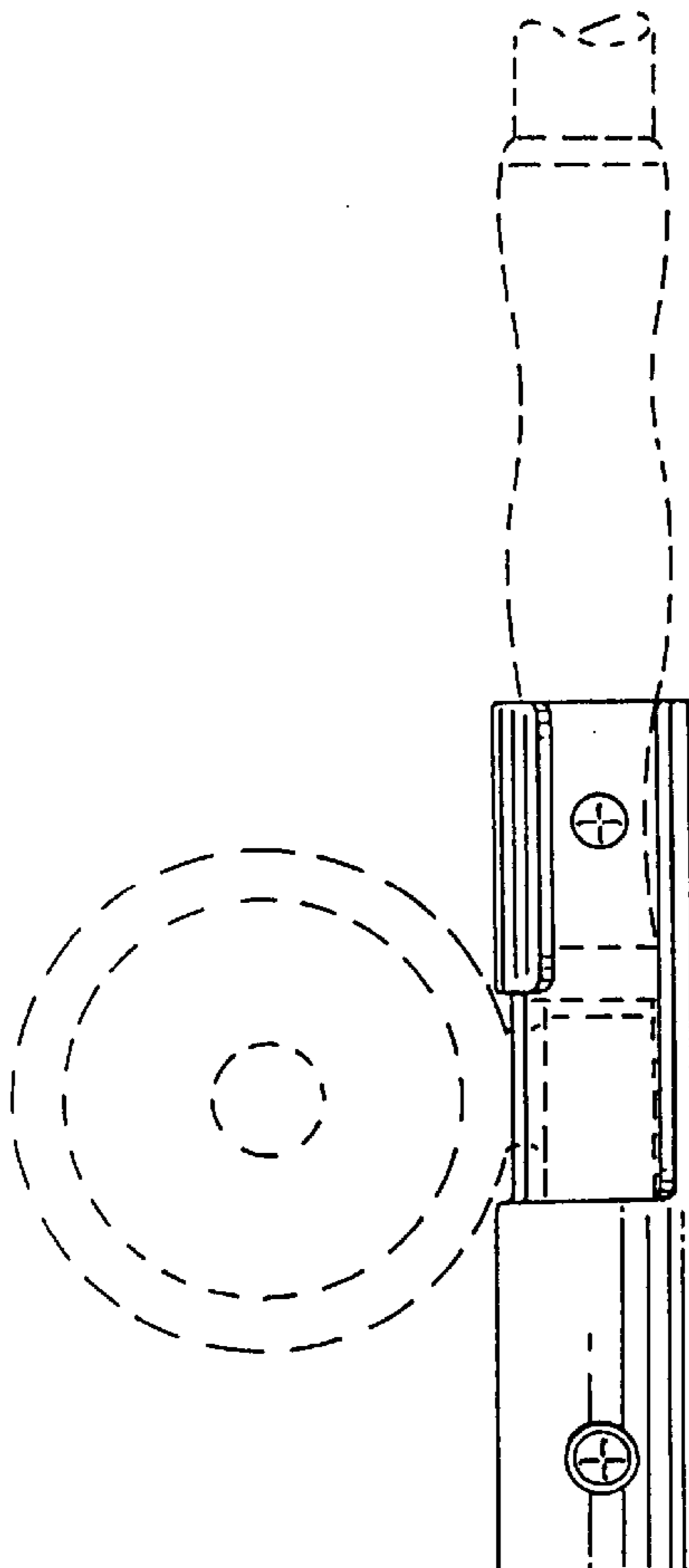
The ornamental design for a fishing rod holder, as shown and described.

### DESCRIPTION

FIG. 1 is a front elevational view of a fishing rod holder, showing my new design;  
FIG. 2 is a rear elevation view thereof;  
FIG. 3 is a right, side-elevational view thereof;  
FIG. 4 is a left, side-elevational view thereof;  
FIG. 5 is a top plan view thereof; and,  
FIG. 6 is a bottom plan view thereof.

The broken line showing of environment in FIGS. 1, 3-6 is for illustrative purposes only and forms no part of the claimed design.

**1 Claim, 1 Drawing Sheet**



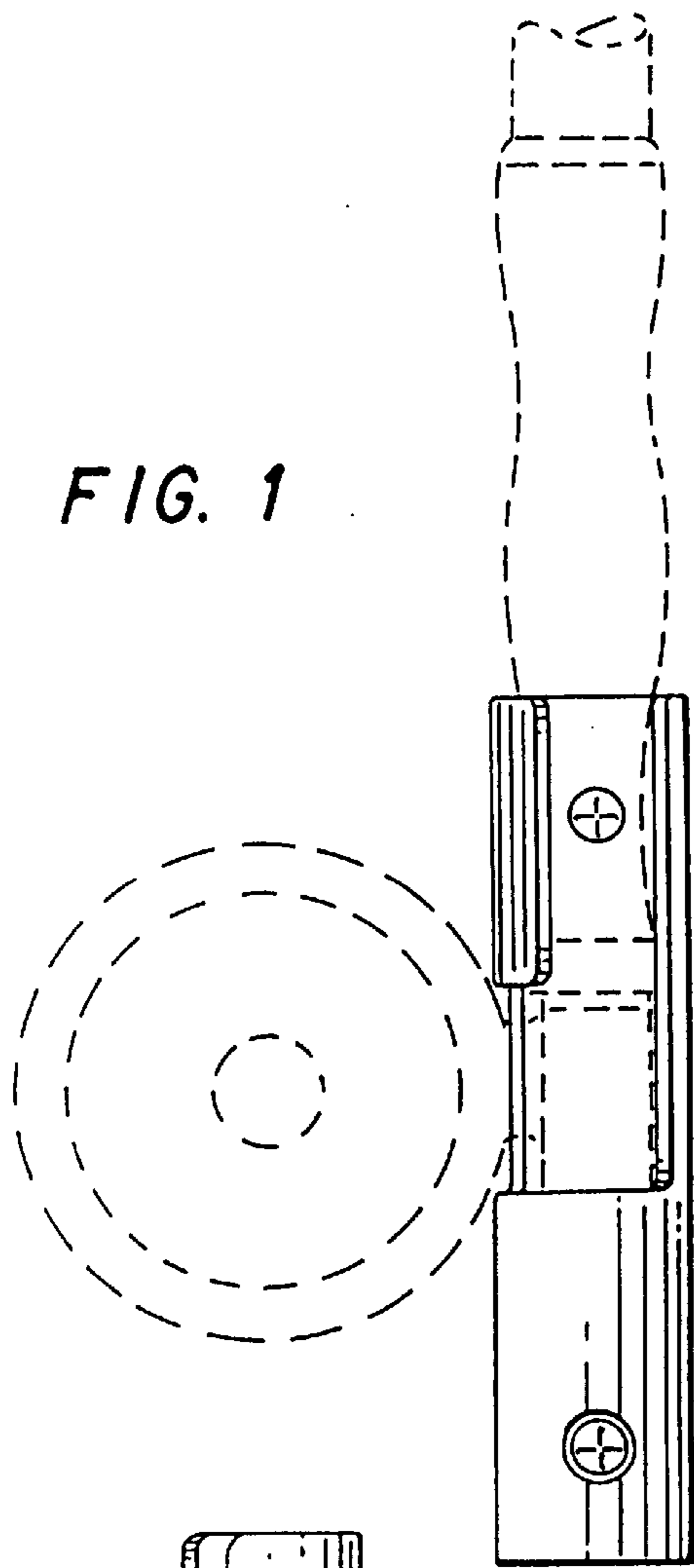


FIG. 2

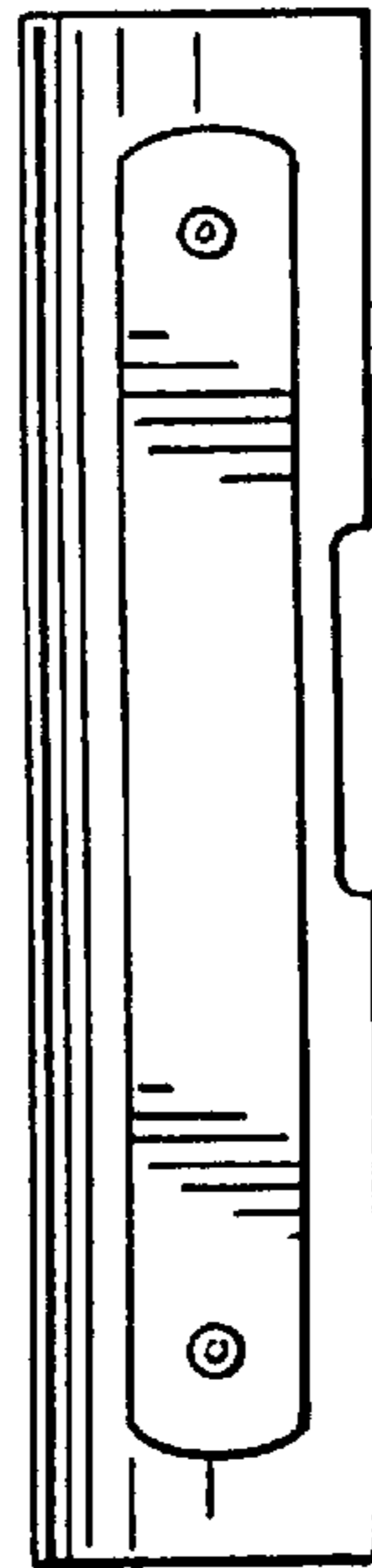


FIG. 3

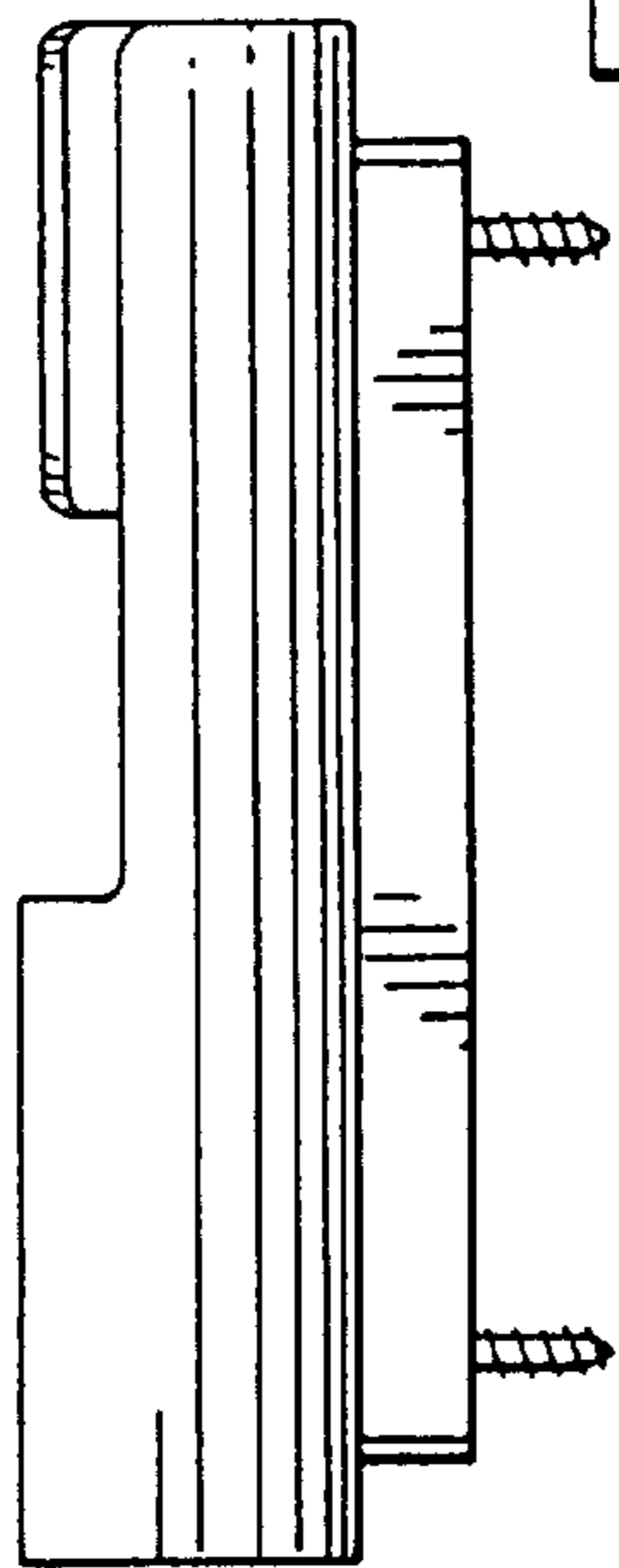
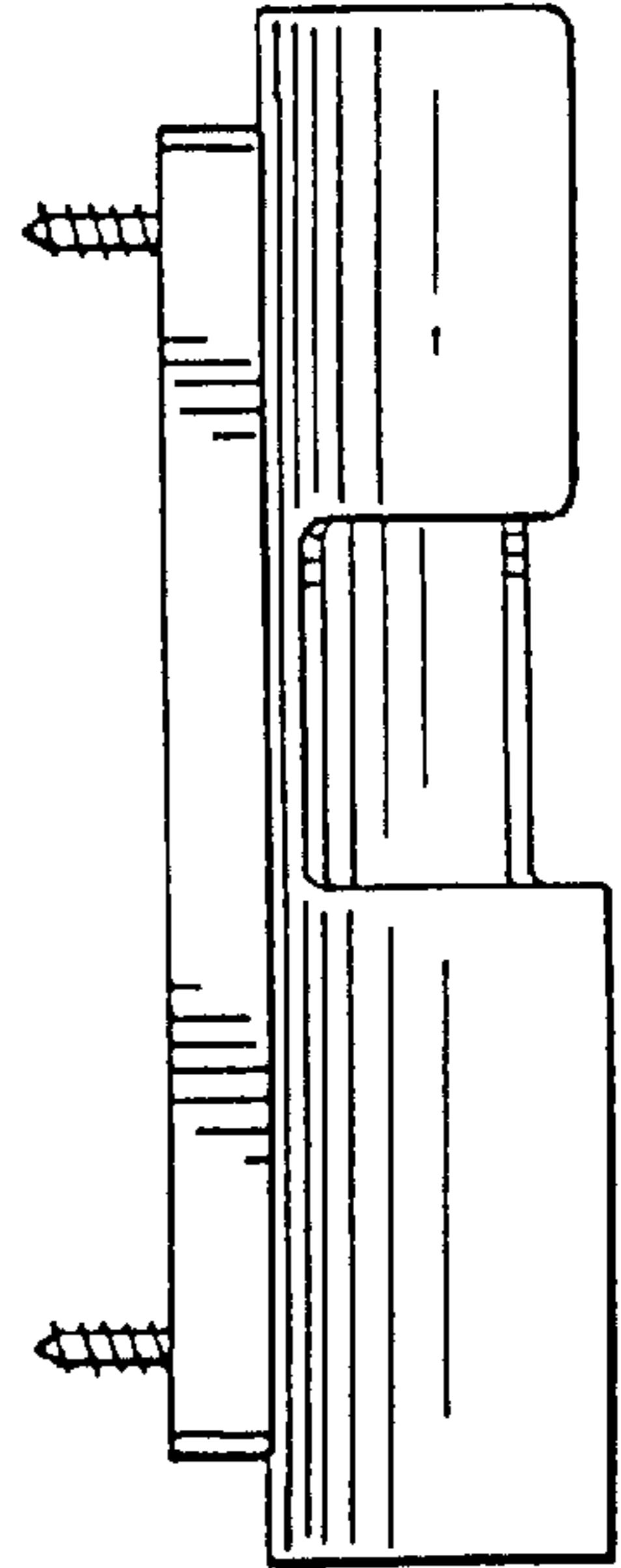


FIG. 4

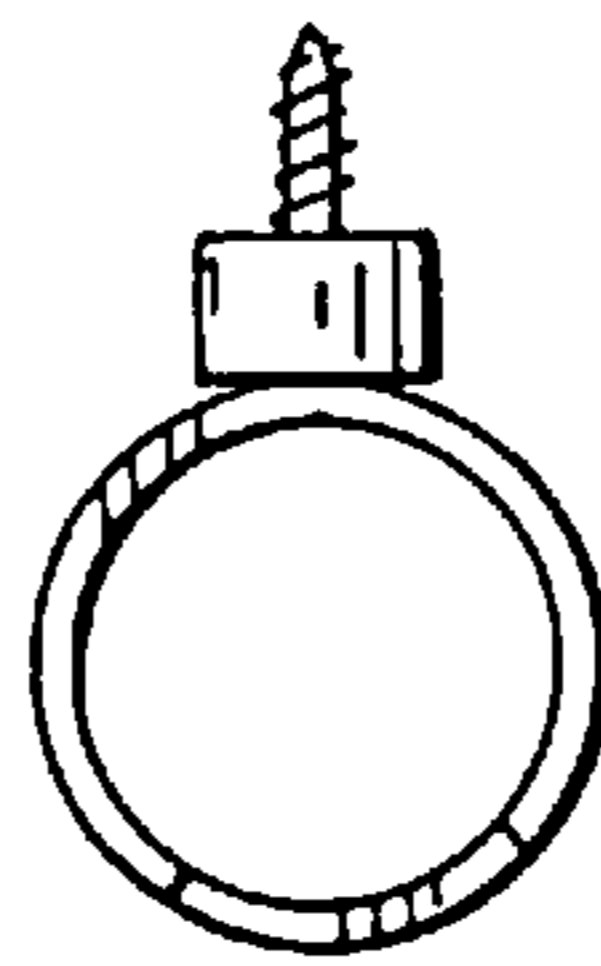


FIG. 5

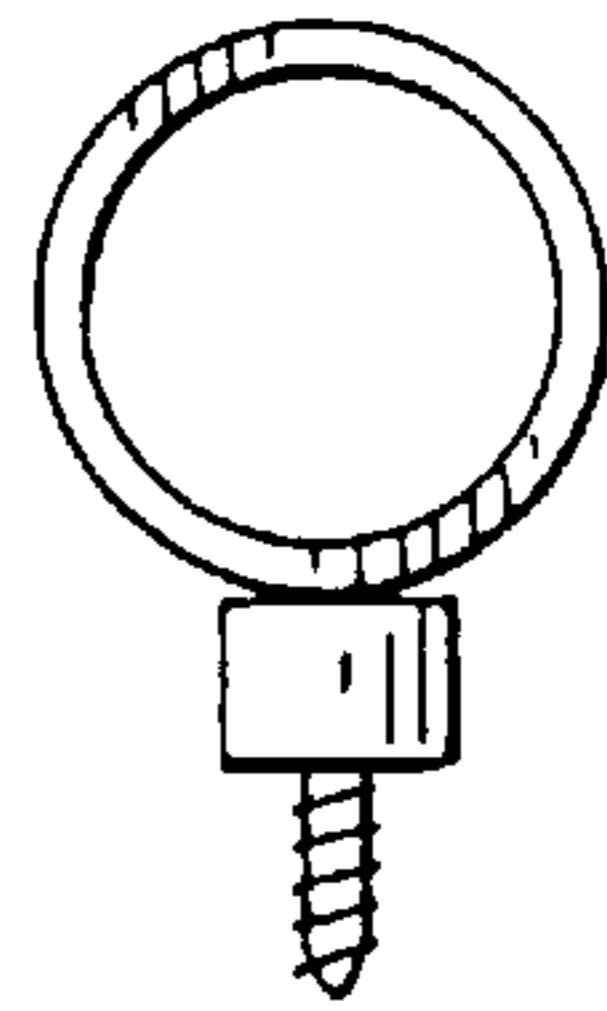


FIG. 6