



US00D407135S

# United States Patent [19] DeWitt

[11] **Patent Number: Des. 407,135**

[45] **Date of Patent: \*\*Mar. 23, 1999**

[54] **CLAY PIGEON LAUNCHER SUPPORT**

[76] **Inventor: George DeWitt, P.O. Box 126, Jackson, Calif. 95642**

[\*\*] **Term: 14 Years**

[21] **Appl. No.: 87,422**

[22] **Filed: May 1, 1998**

[51] **LOC (6) Cl. .... 22-01**

[52] **U.S. Cl. .... D22/113; D22/100; D22/199**

[58] **Field of Search .... D22/100, 113, D22/199; 124/23.1, 8; 224/520, 521**

[56] **References Cited**

**U.S. PATENT DOCUMENTS**

D. 228,186	8/1973	Wortley, Jr. ....	D22/113
D. 247,365	2/1978	Rowlands et al. ....	D22/113
D. 256,497	8/1980	Rowlands et al. ....	D22/113
D. 266,784	11/1982	Sexton ....	D22/113
2,711,163	6/1955	Richardson .	
2,925,077	2/1960	Luebkehan .	
2,980,095	4/1961	Hoag .	
3,420,219	1/1969	Rahberger ....	124/23.1
3,677,257	7/1972	Segerkvist .	
3,949,728	4/1976	Gustafsson .	
4,381,069	4/1983	Kreck .	
4,576,395	3/1986	Longoria .	
4,770,155	9/1988	Chamberlain et al. .	
4,867,356	9/1989	Melby .	
5,226,622	7/1993	LeAnna .	
5,330,084	7/1994	Peters .	
5,397,147	3/1995	Ducharme et al. .	
5,433,356	7/1995	Russell .	
5,451,088	9/1995	Broad .	

5,454,496	10/1995	Sumida et al. ....	224/521
5,458,389	10/1995	Young .	
5,469,998	11/1995	Van Dusen et al. .	
5,489,110	2/1996	Van Dusen .	
5,509,592	4/1996	Lipka .	
5,540,537	7/1996	Welch .	
5,547,116	8/1996	Eckhart .	
5,593,139	1/1997	Julian .	
5,649,656	7/1997	Davy .	
5,658,033	8/1997	Delaune .	
5,678,743	10/1997	Johnson et al. .	

*Primary Examiner*—Louis S. Zarfaz  
*Assistant Examiner*—Monica A. Weingart  
*Attorney, Agent, or Firm*—Bernhard Kreten

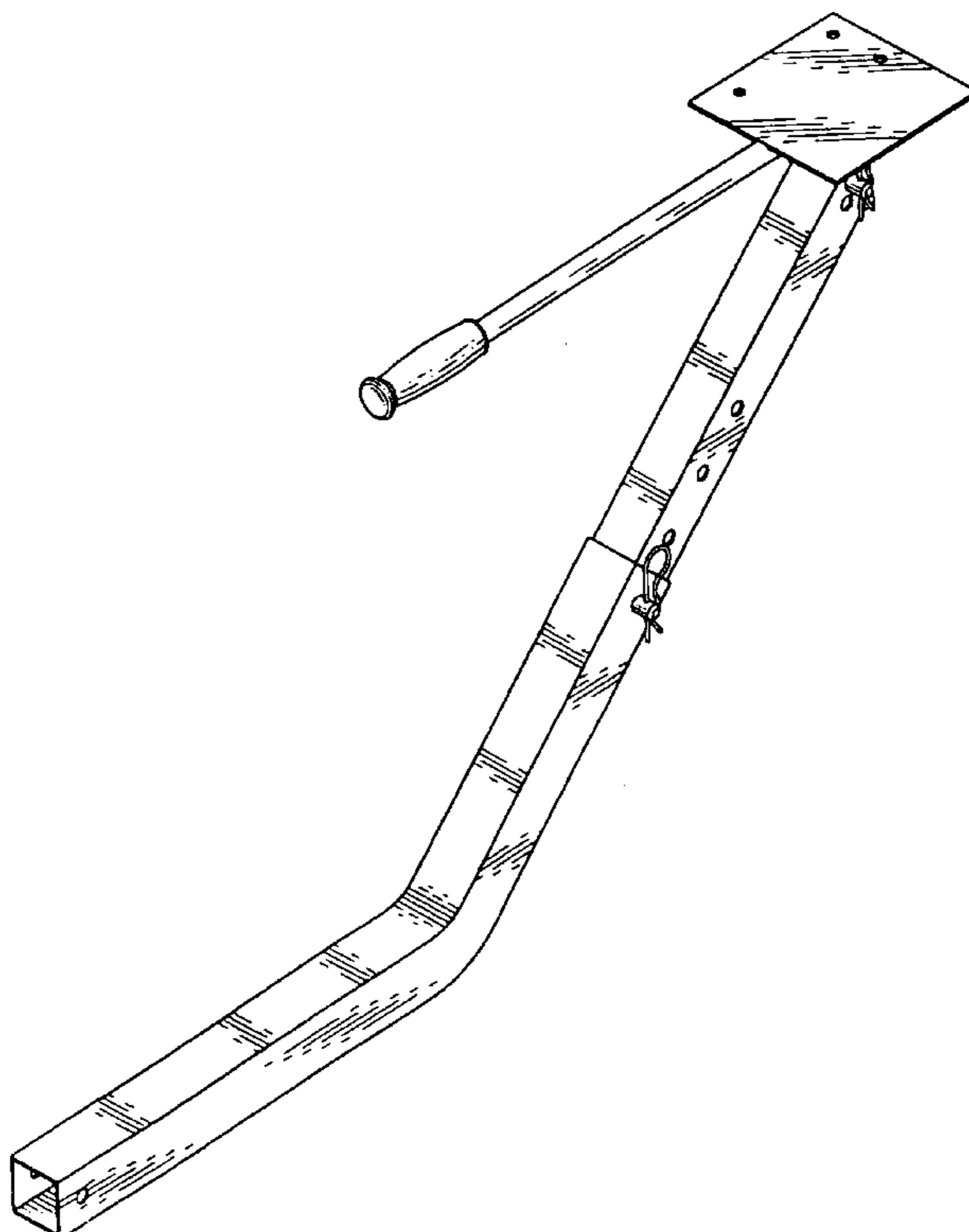
[57] **CLAIM**

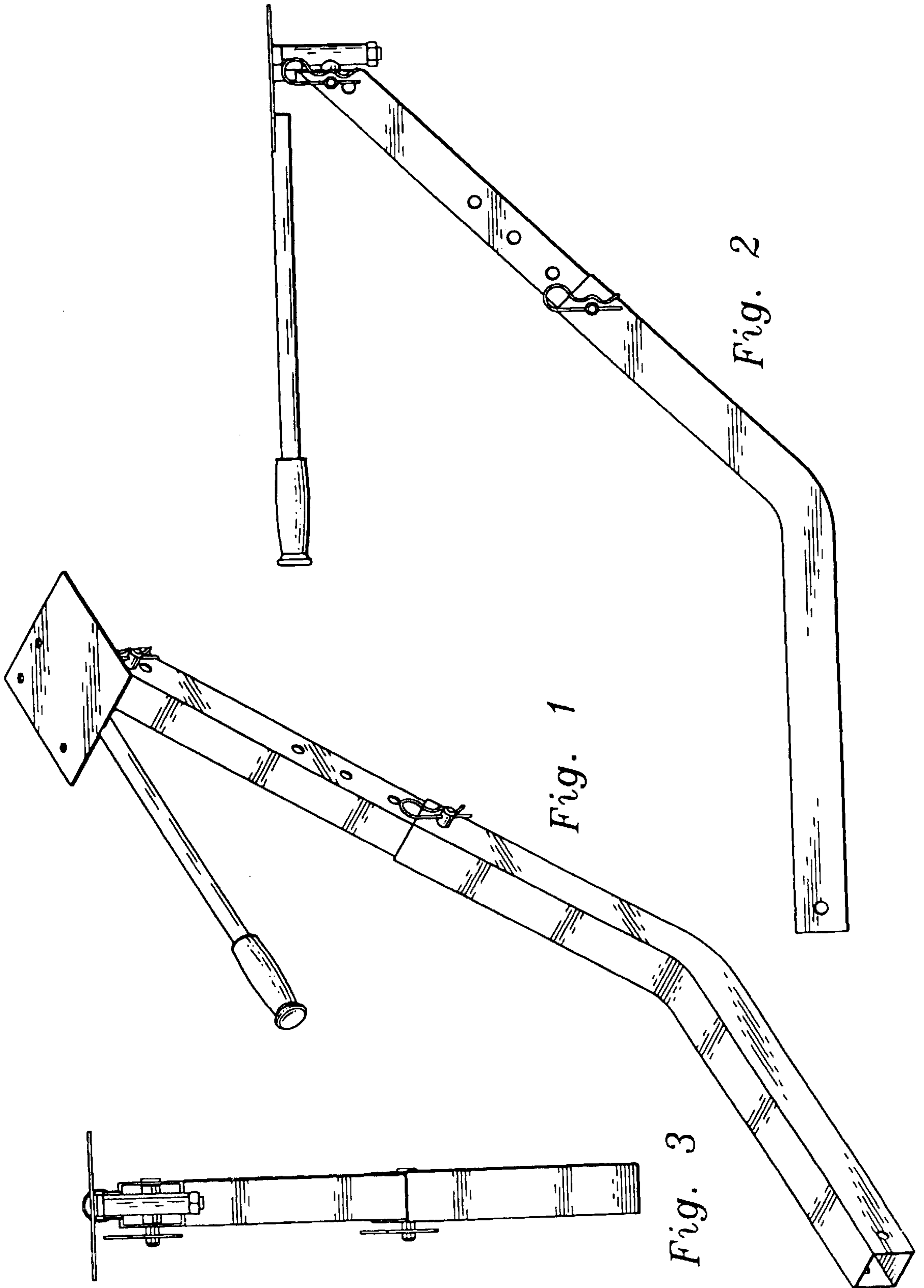
The ornamental design for a clay pigeon launcher support, as shown and described.

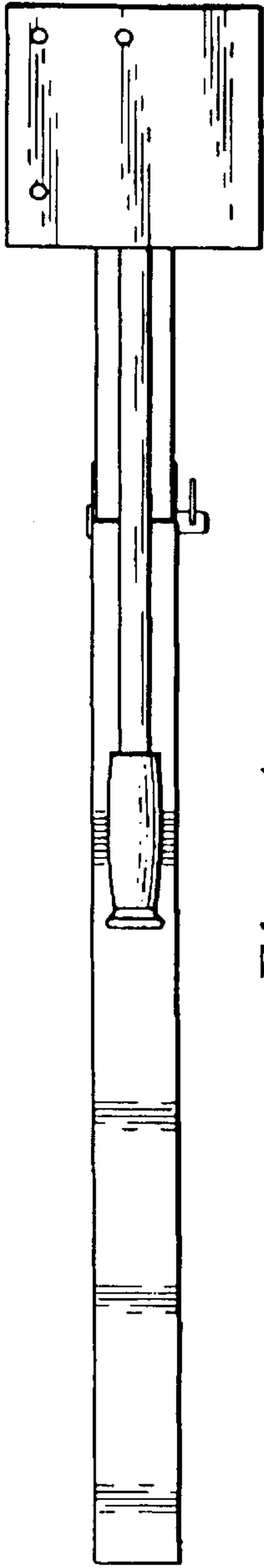
**DESCRIPTION**

FIG. 1 is a perspective view of a clay pigeon launcher support showing my new design; FIG. 2 is a front view thereof; FIG. 3 is a right side view thereof; FIG. 4 is a top view thereof; FIG. 5 is a bottom view thereof; FIG. 6 is a left side view thereof; FIG. 7 is a back view thereof; FIG. 8 is an exploded view thereof; and, FIG. 9 is a perspective view thereof shown in one possible environment. The broken-line showing of environmental structure in FIG. 9 is for illustrative purposes only and forms no part of the claimed design.

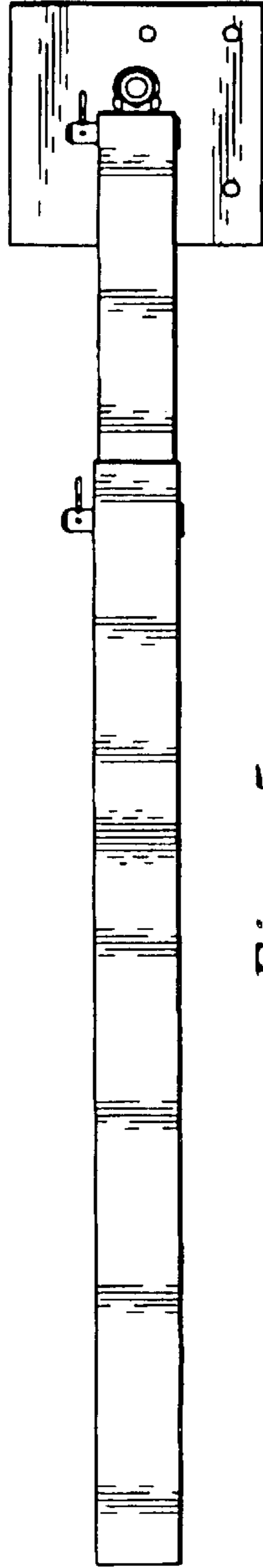
**1 Claim, 4 Drawing Sheets**



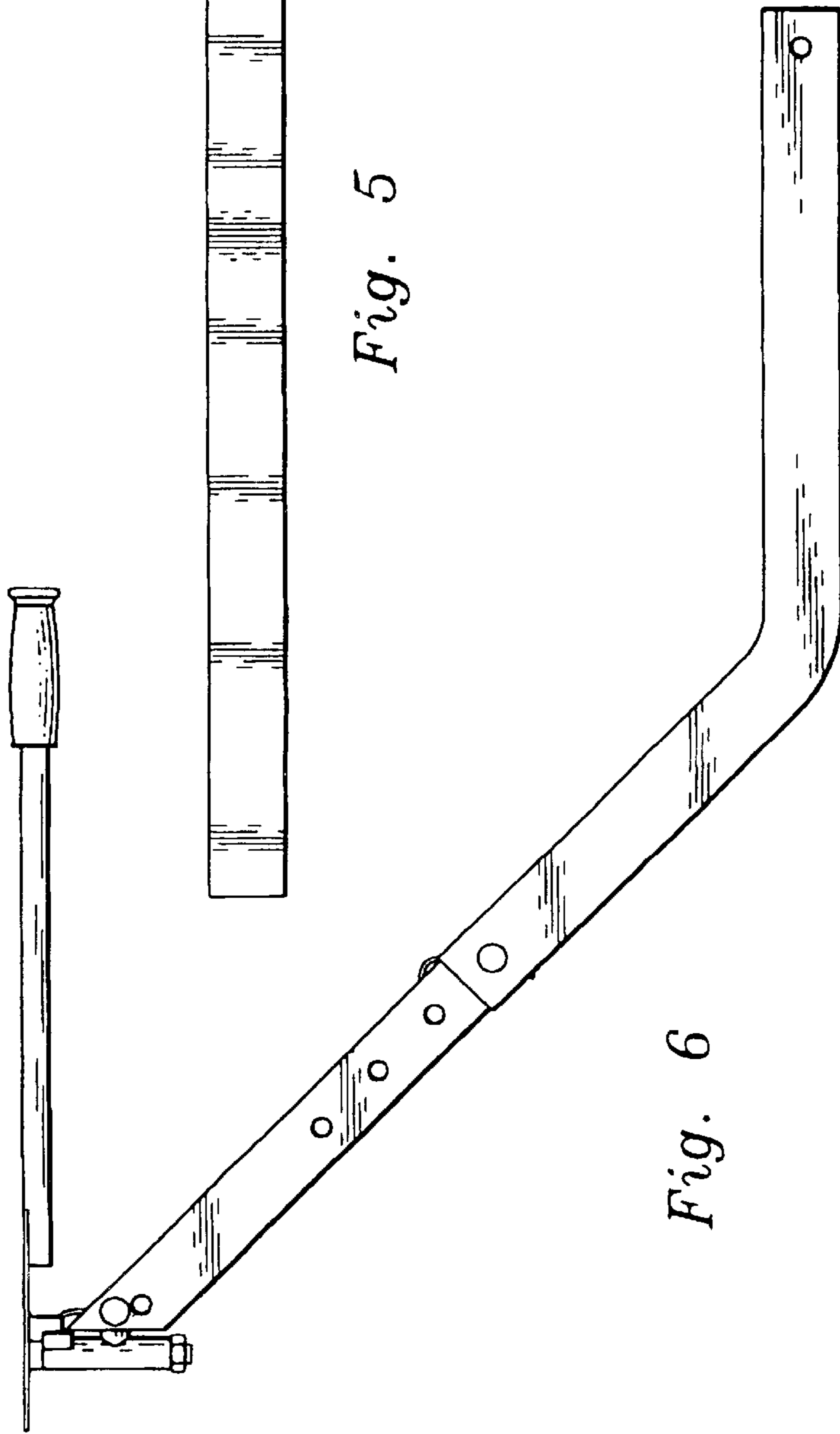




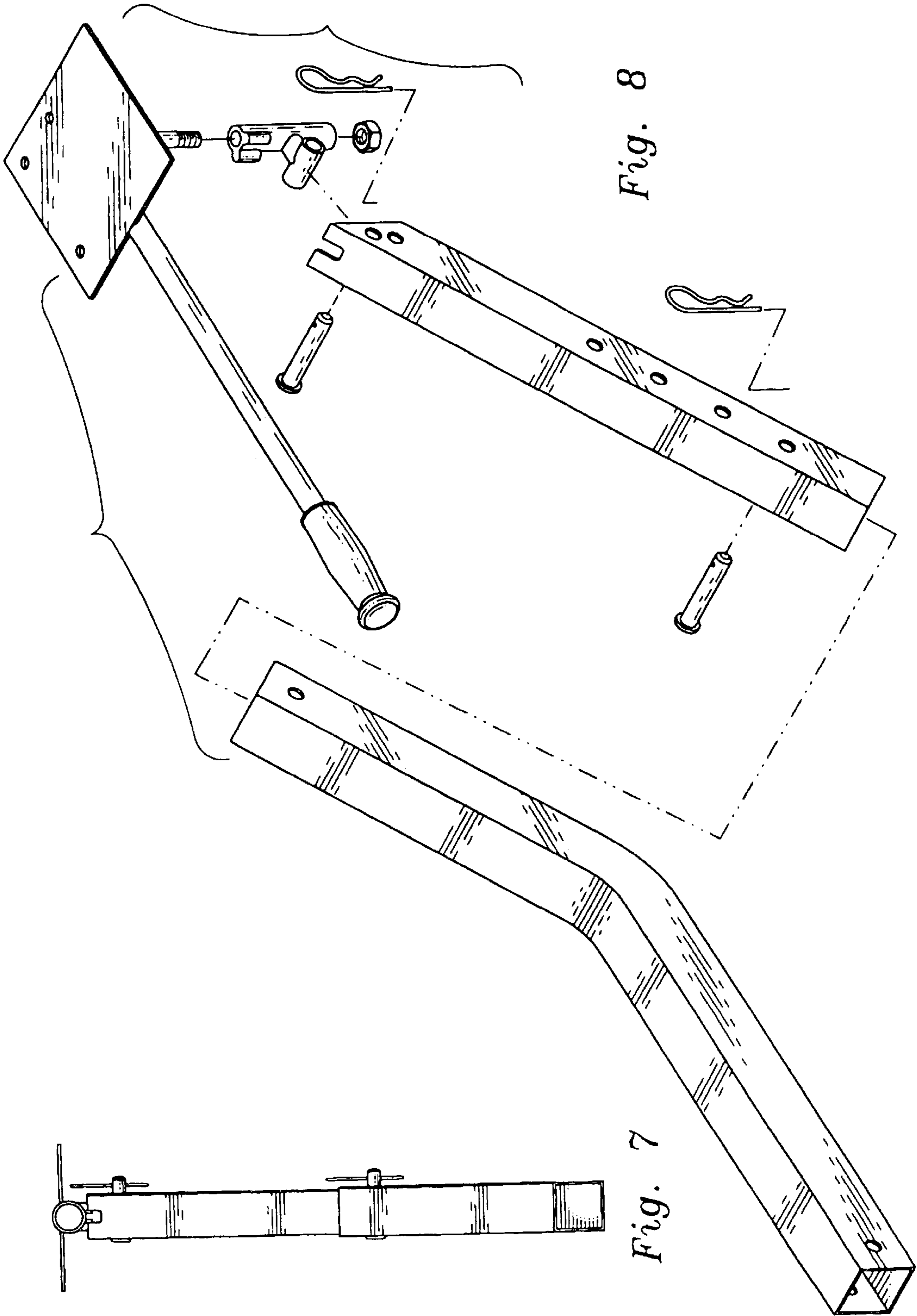
*Fig. 4*



*Fig. 5*



*Fig. 6*



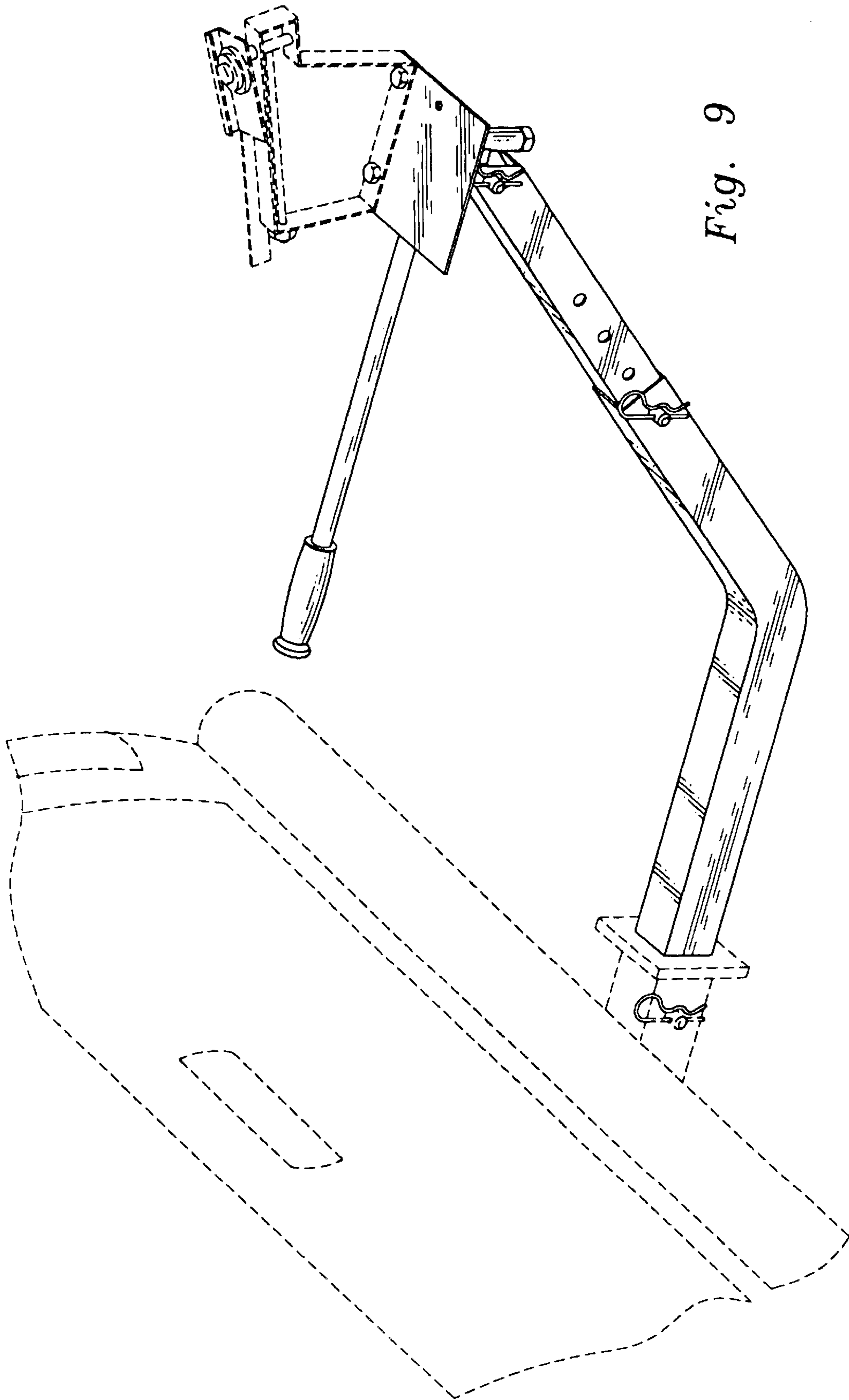


Fig. 9