



US00D407134S

**United States Patent** [19]  
**Lively**

[11] **Patent Number: Des. 407,134**

[45] **Date of Patent: \*\*Mar. 23, 1999**

[54] **QUICK BOW HUNTING STRAP**

[76] Inventor: **Josh Lively**, 309 Mayer Ave., Terra Alta, W. Va. 26764

[\*\*] Term: **14 Years**

[21] Appl. No.: **89,127**

[22] Filed: **Jun. 9, 1998**

[51] **LOC (6) Cl.** ..... **22-01**

[52] **U.S. Cl.** ..... **D22/107; D22/100; D22/199**

[58] **Field of Search** ..... **D22/100, 107, D22/199; 124/41.1, 44.5, 86, 88; 2/338; 224/222, 267, 901.4, 916**

[56] **References Cited**

**U.S. PATENT DOCUMENTS**

|            |        |                    |       |           |
|------------|--------|--------------------|-------|-----------|
| D. 176,982 | 2/1956 | Howard             | ..... | D22/107   |
| 4,103,807  | 8/1978 | Lyon et al.        | ..... | 224/901.4 |
| 4,220,302  | 9/1980 | Hampton et al.     | ..... | 224/901.4 |
| 4,733,808  | 3/1988 | Turner, Jr. et al. | ..... | 224/267   |

|           |         |                 |       |           |
|-----------|---------|-----------------|-------|-----------|
| 4,759,963 | 7/1988  | Uso, Jr. et al. | ..... | 224/901.4 |
| 5,165,584 | 11/1992 | Meagher et al.  | ..... | 224/88    |
| 5,472,125 | 12/1995 | Barnard         | ..... | 224/267   |

*Primary Examiner*—Louis S. Zarfes  
*Assistant Examiner*—Monica A. Weingart  
*Attorney, Agent, or Firm*—Robert N. Blackmon

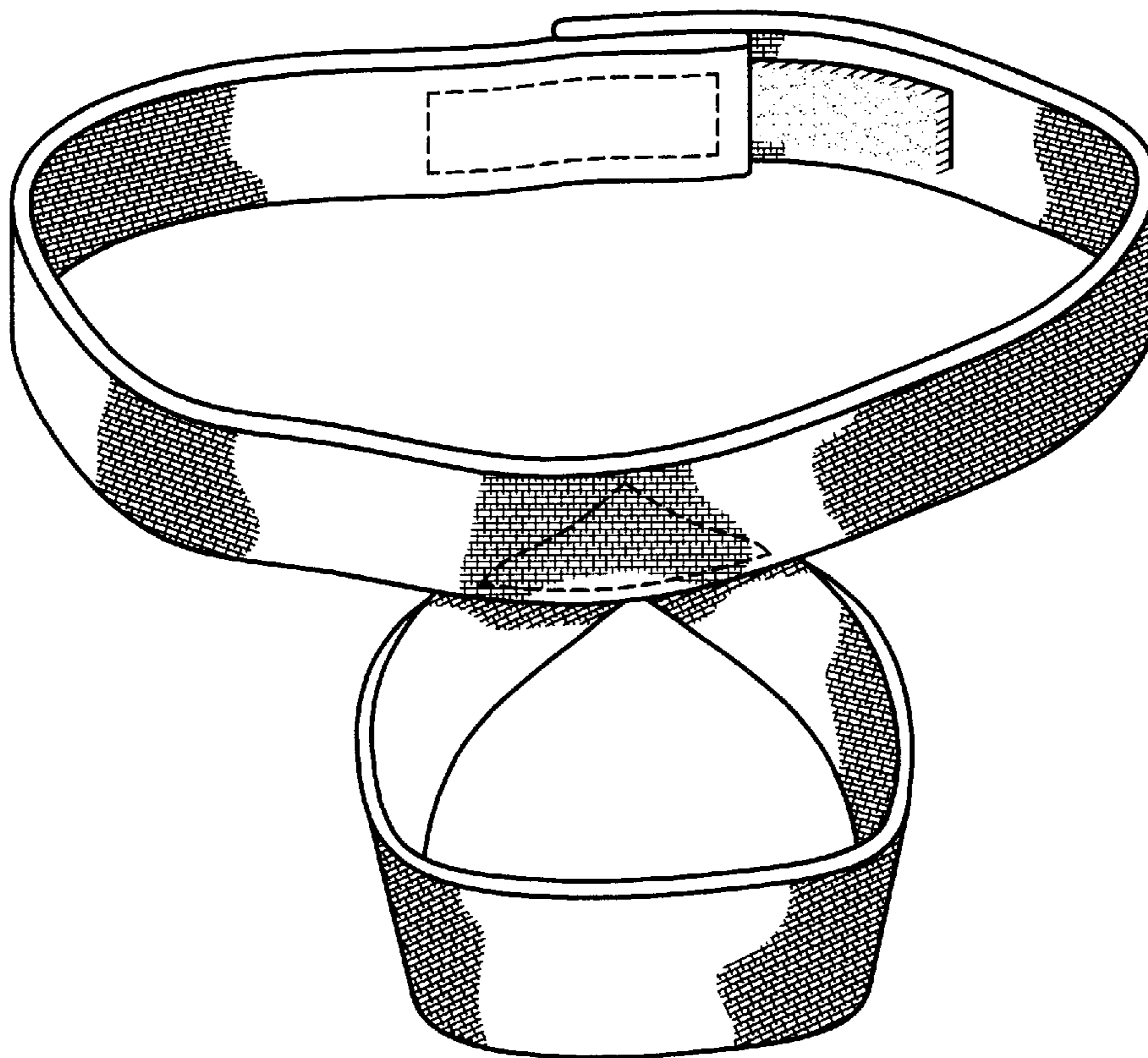
[57] **CLAIM**

The ornamental design for a quick bow hunting strap, as shown and described.

**DESCRIPTION**

FIG. 1 is a perspective view of a quick bow hunting strap showing my new design;  
FIG. 2 is a top view thereof;  
FIG. 3 is a front elevational view thereof;  
FIG. 4 is a bottom view thereof;  
FIG. 5 is a rear elevational view thereof;  
FIG. 6 is a right side elevational view; and,  
FIG. 7 is a left side elevational view.

**1 Claim, 4 Drawing Sheets**



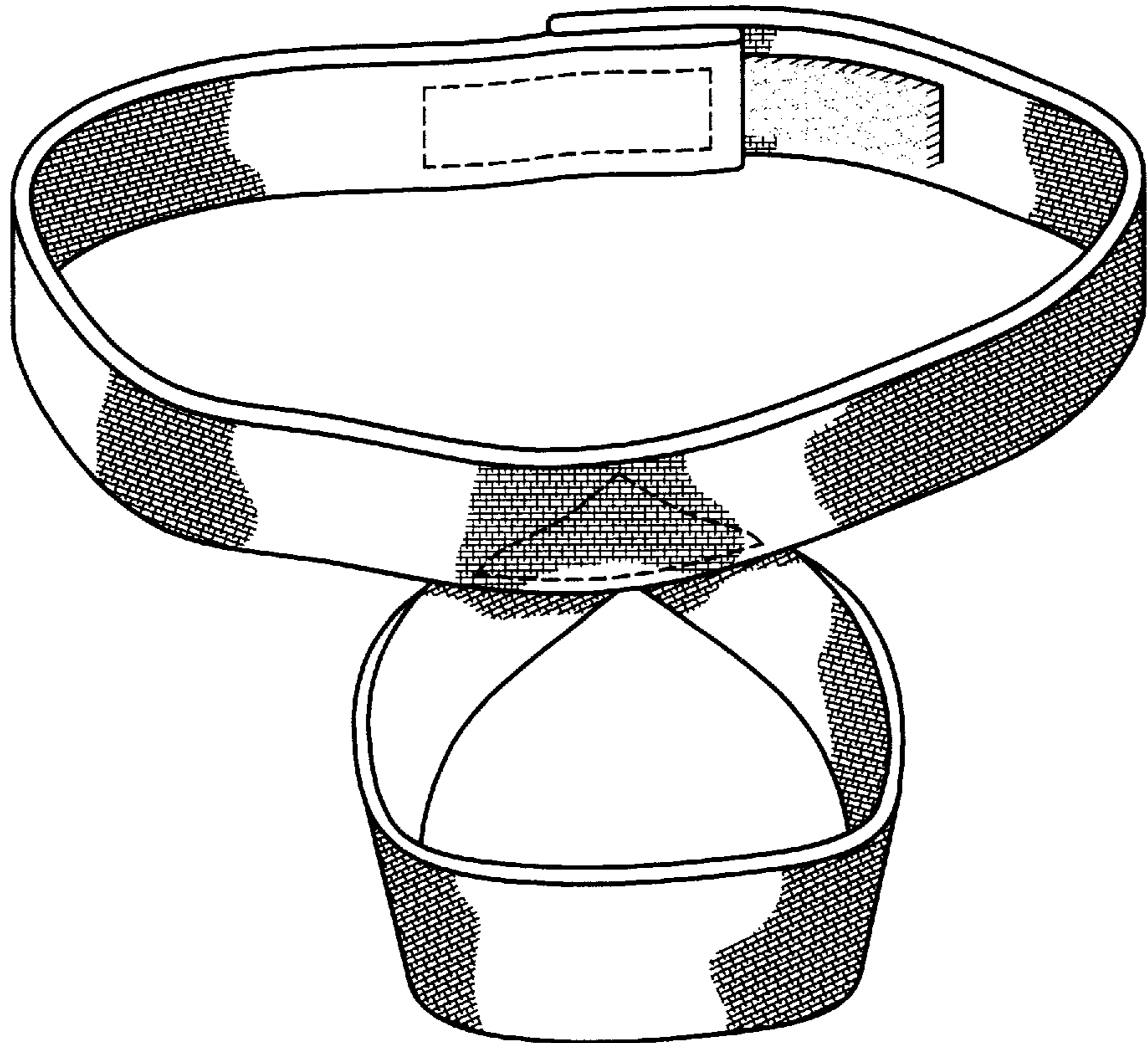


FIG. 1

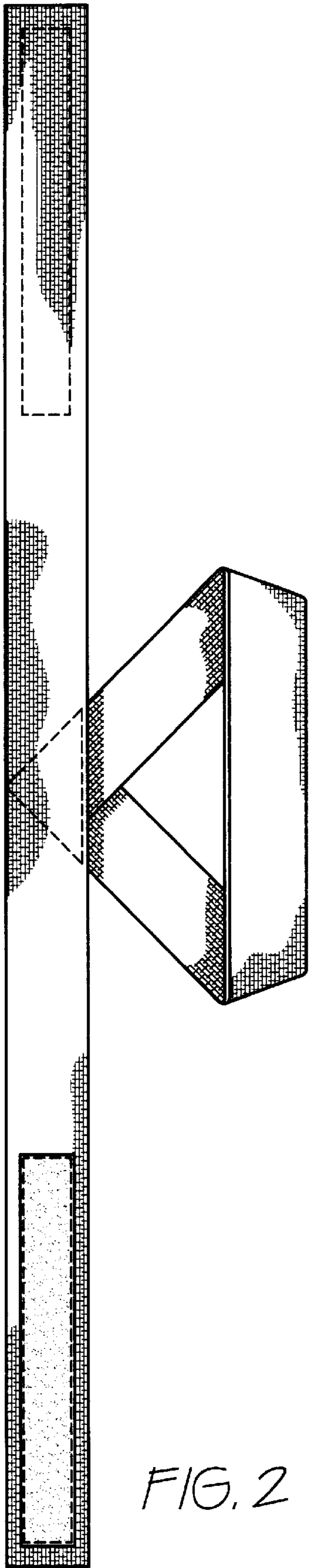


FIG. 2

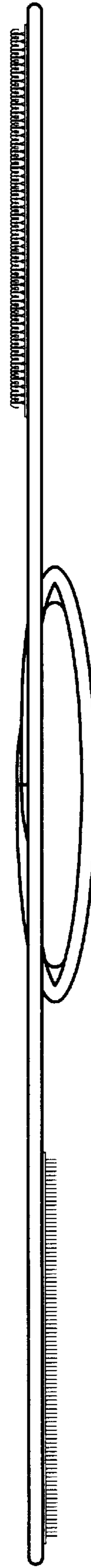


FIG. 3

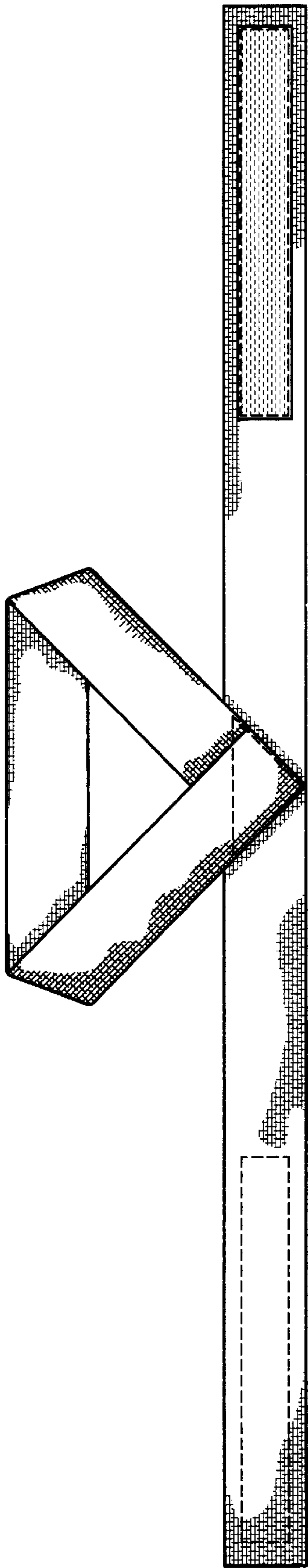


FIG. 4



FIG. 5



FIG. 6



FIG. 7