



US00D407126S

United States Patent [19] Wang

[11] Patent Number: Des. 407,126

[45] Date of Patent: **Mar. 23, 1999

- [54] KITE
- [75] Inventor: **Jung-Yuan Wang**, Mississauga, Canada
- [73] Assignee: **Itemax International, Inc.**, Markham, Canada
- [**] Term: **14 Years**
- [21] Appl. No.: **86,989**
- [22] Filed: **Apr. 24, 1998**
- [51] **LOC (6) Cl.** **21-01**
- [52] **U.S. Cl.** **D21/445**
- [58] **Field of Search** D21/236, 445;
244/153 R, 154

[56] **References Cited**

U.S. PATENT DOCUMENTS

D. 57,437	3/1921	Keller	D21/450
D. 95,101	4/1935	Williams	D21/445
D. 136,018	7/1943	Sauls .		
D. 168,383	12/1952	Smith	D21/445
D. 177,577	5/1956	Martin .		
D. 204,611	5/1966	Ventre .		
D. 223,381	4/1972	Carpenter .		
D. 224,248	7/1972	Bennett .		
D. 242,375	11/1976	Barrett .		
D. 246,736	12/1977	Barrett et al. .		
1,546,099	7/1925	Myers	244/154
2,124,992	7/1938	Wood	244/154
3,703,876	11/1972	Michelsen .		
4,830,313	5/1989	Cheng	244/153 R

OTHER PUBLICATIONS

Janes Encyclopedia of Aviation, M. Taylor, Editor, Cresent Books, New York, New York, 1995, p. 78.
Into the Wind, 1998 catalog of kites, p. 71.

Primary Examiner—Dominic Simone
Attorney, Agent, or Firm—Dinsmore & Shohl LLP

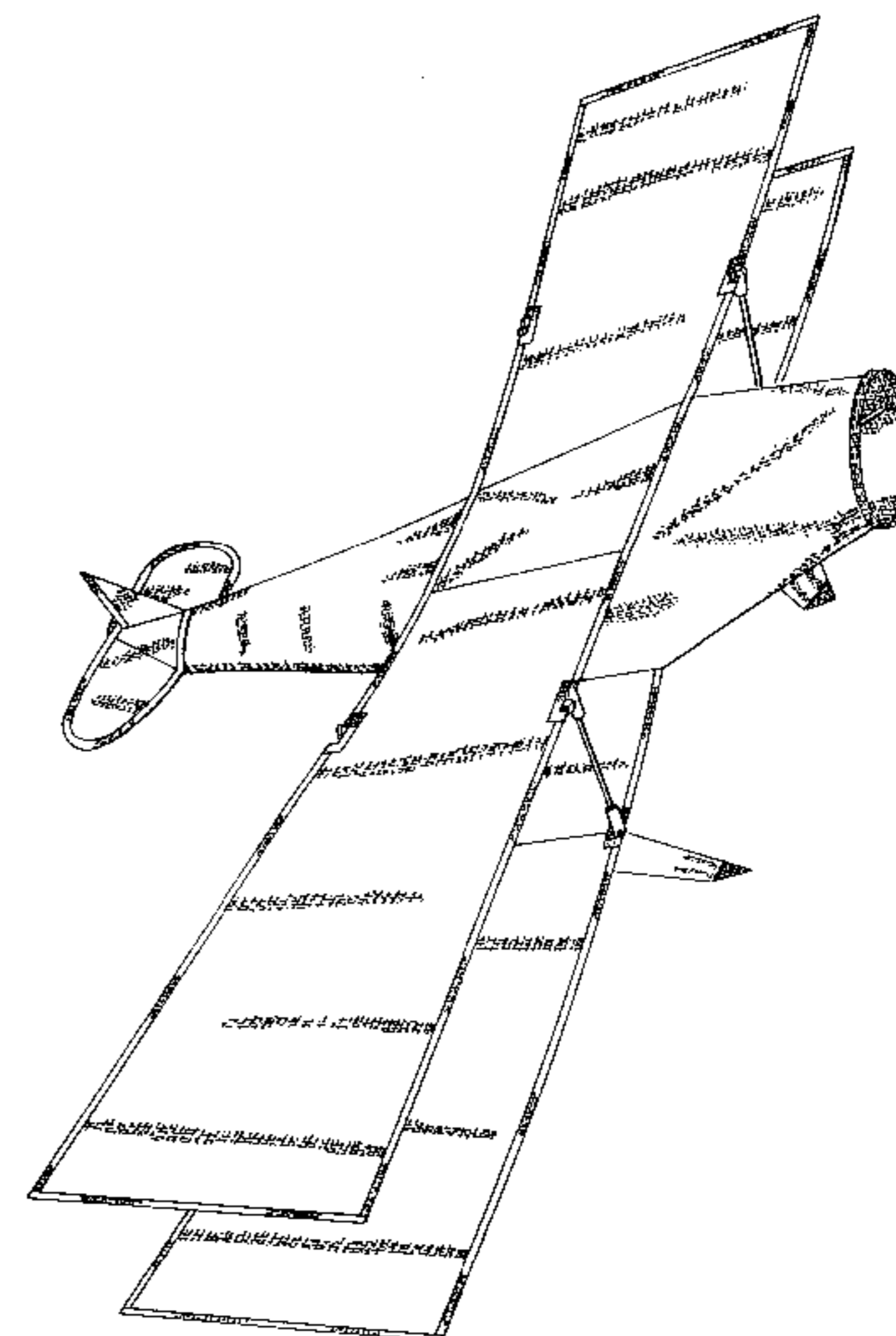
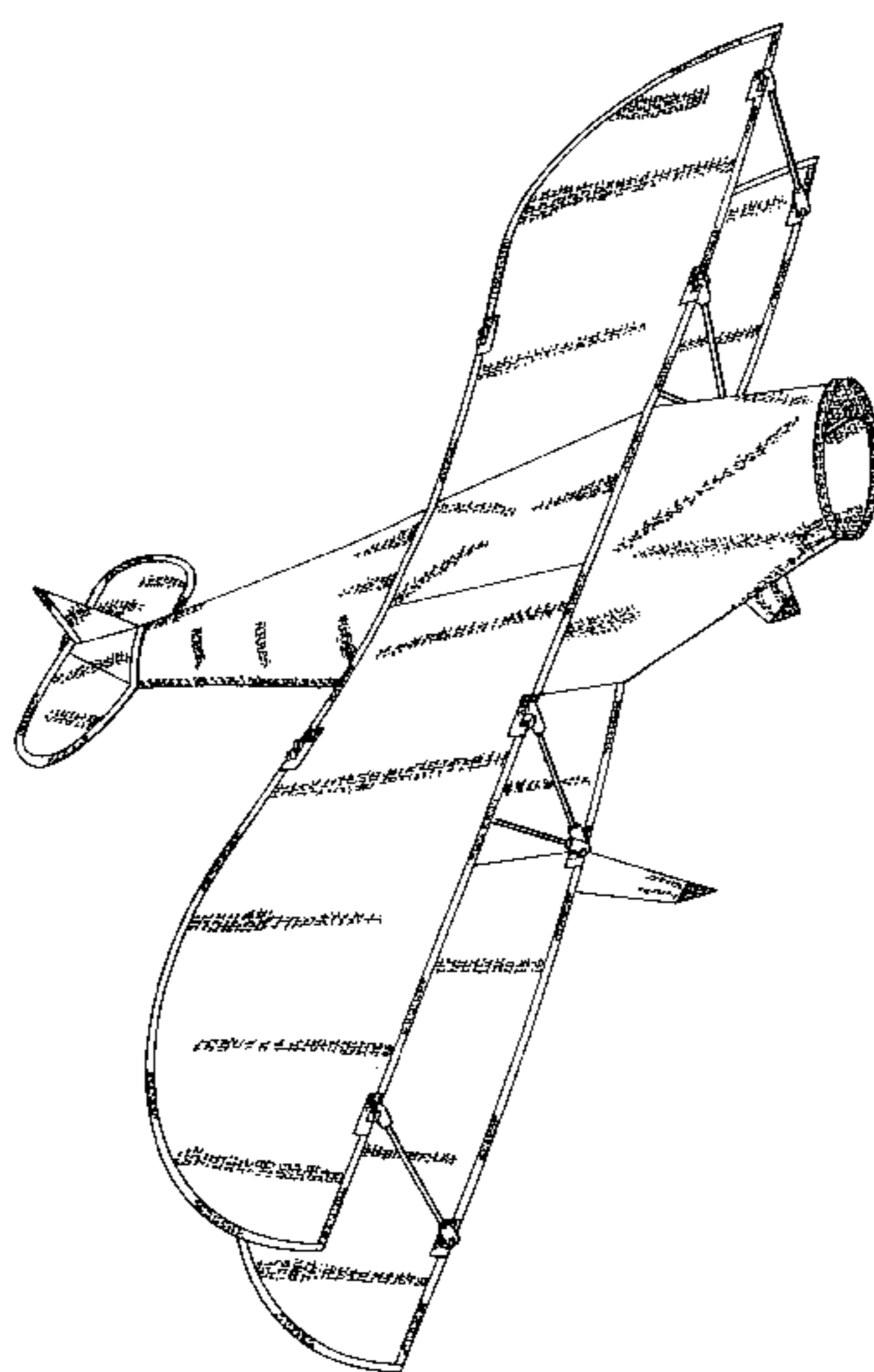
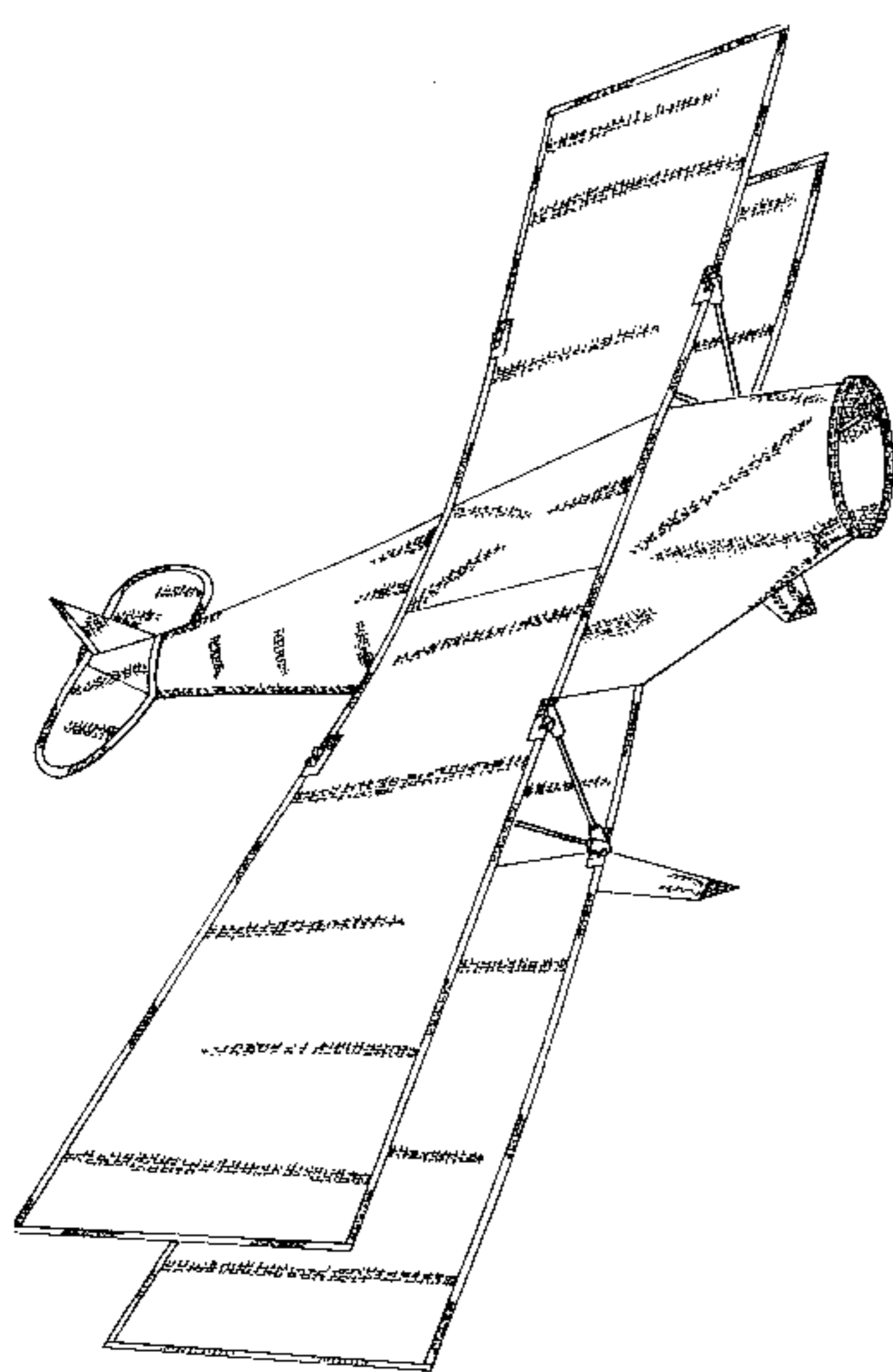
[57] **CLAIM**

I claim the ornamental design for a kite, as shown and described herein.

DESCRIPTION

FIG. 1 is a front perspective view for a kite showing my design;
 FIG. 2 is a right side elevational view thereof, the left side being a mirror image;
 FIG. 3 is a front elevational view thereof;
 FIG. 4 is a rear elevational view thereof;
 FIG. 5 is a top plan view thereof;
 FIG. 6 is a bottom plan view thereof;
 FIG. 7 is a front perspective view of a second embodiment of FIG. 1;
 FIG. 8 is a right side elevational view of FIG. 7, the left side being a mirror image;
 FIG. 9 is a front elevational view of FIG. 7;
 FIG. 10 is a rear elevational view of FIG. 7;
 FIG. 11 is a top plan view of FIG. 7;
 FIG. 12 is a bottom plan view of FIG. 7;
 FIG. 13 is a front perspective view of a third embodiment of FIG. 1;
 FIG. 14 is a right side elevational view of FIG. 13, the left side being a mirror image;
 FIG. 15 is front elevational view of FIG. 13;
 FIG. 16 is a rear elevational view of FIG. 13;
 FIG. 17 is a top plan view of FIG. 13; and,
 FIG. 18 is a bottom plan view of FIG. 13.

1 Claim, 15 Drawing Sheets



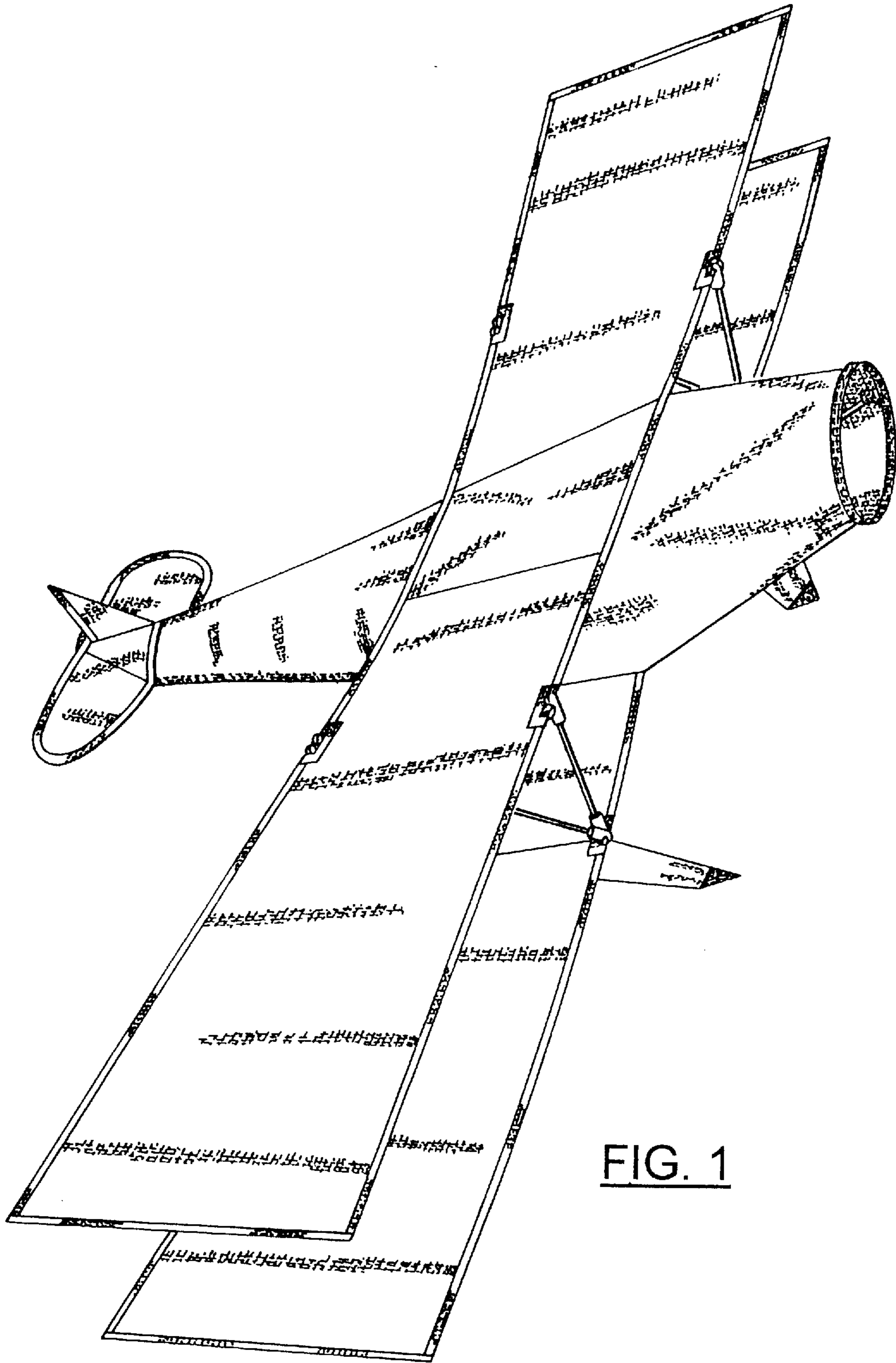


FIG. 1

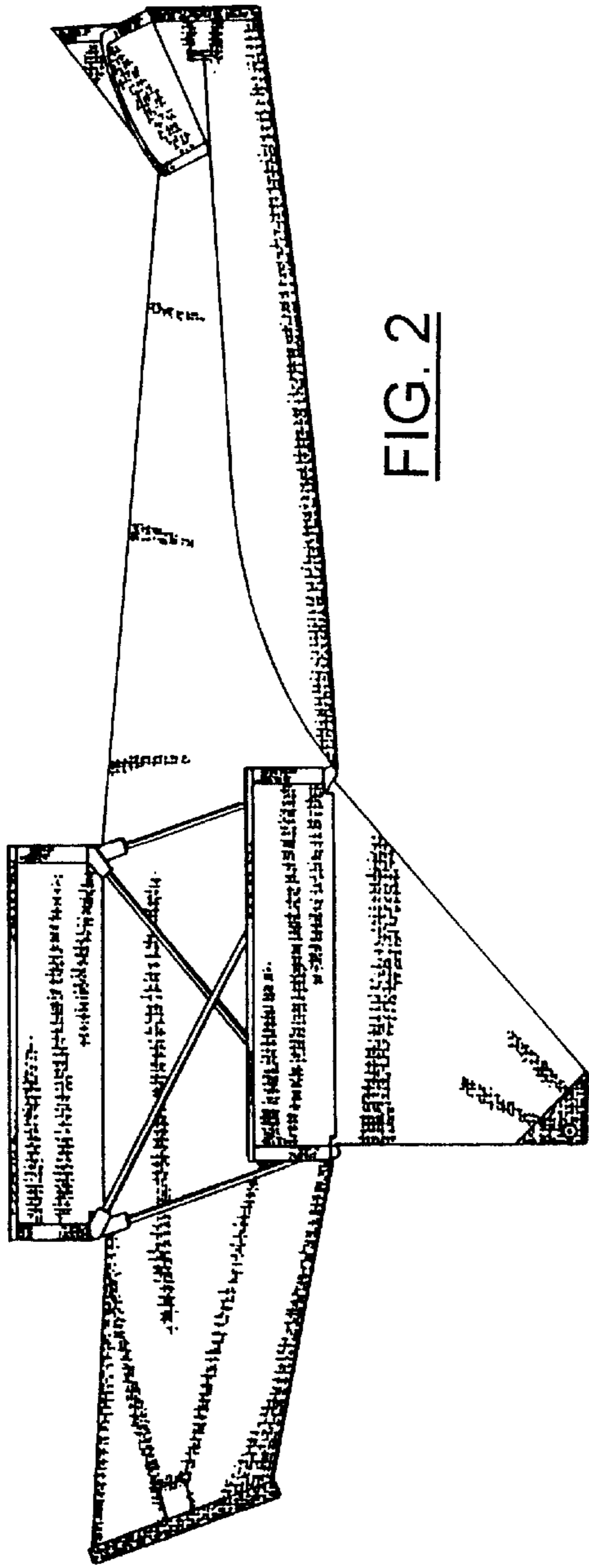


FIG. 2

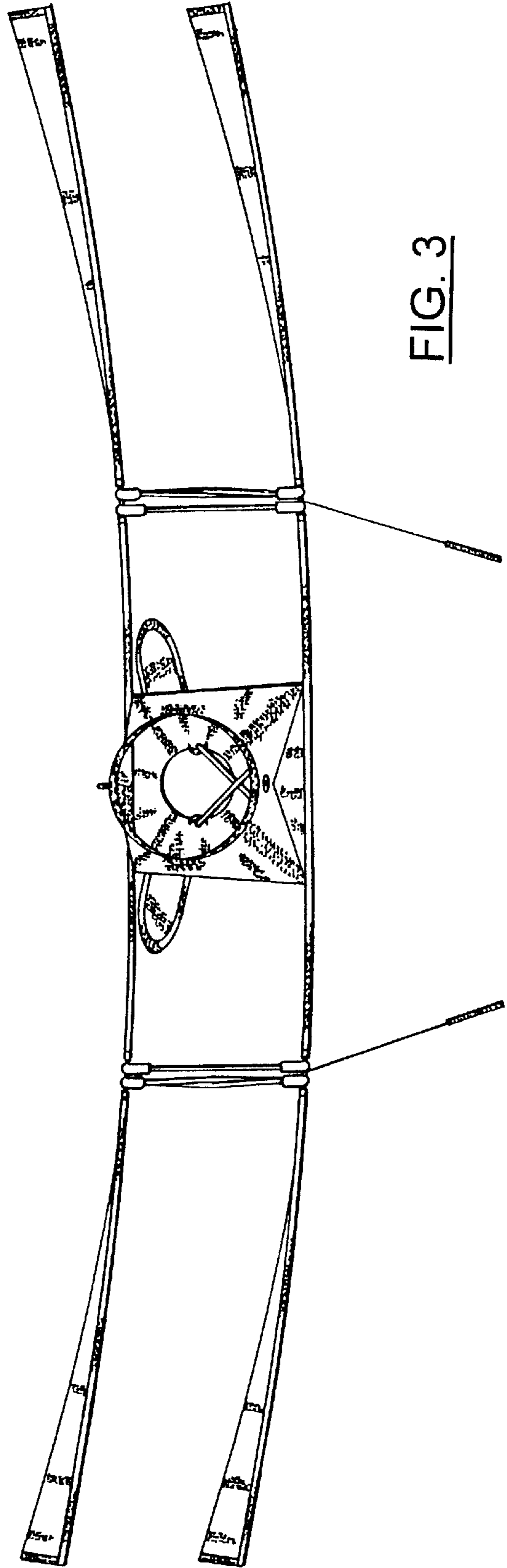


FIG. 3

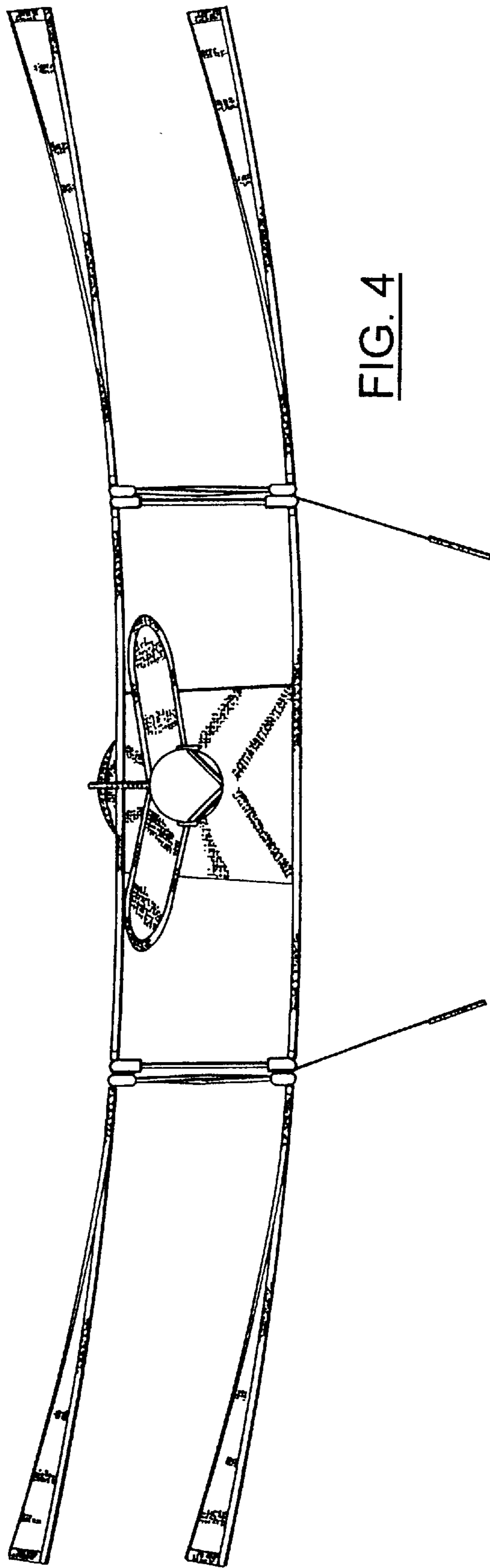
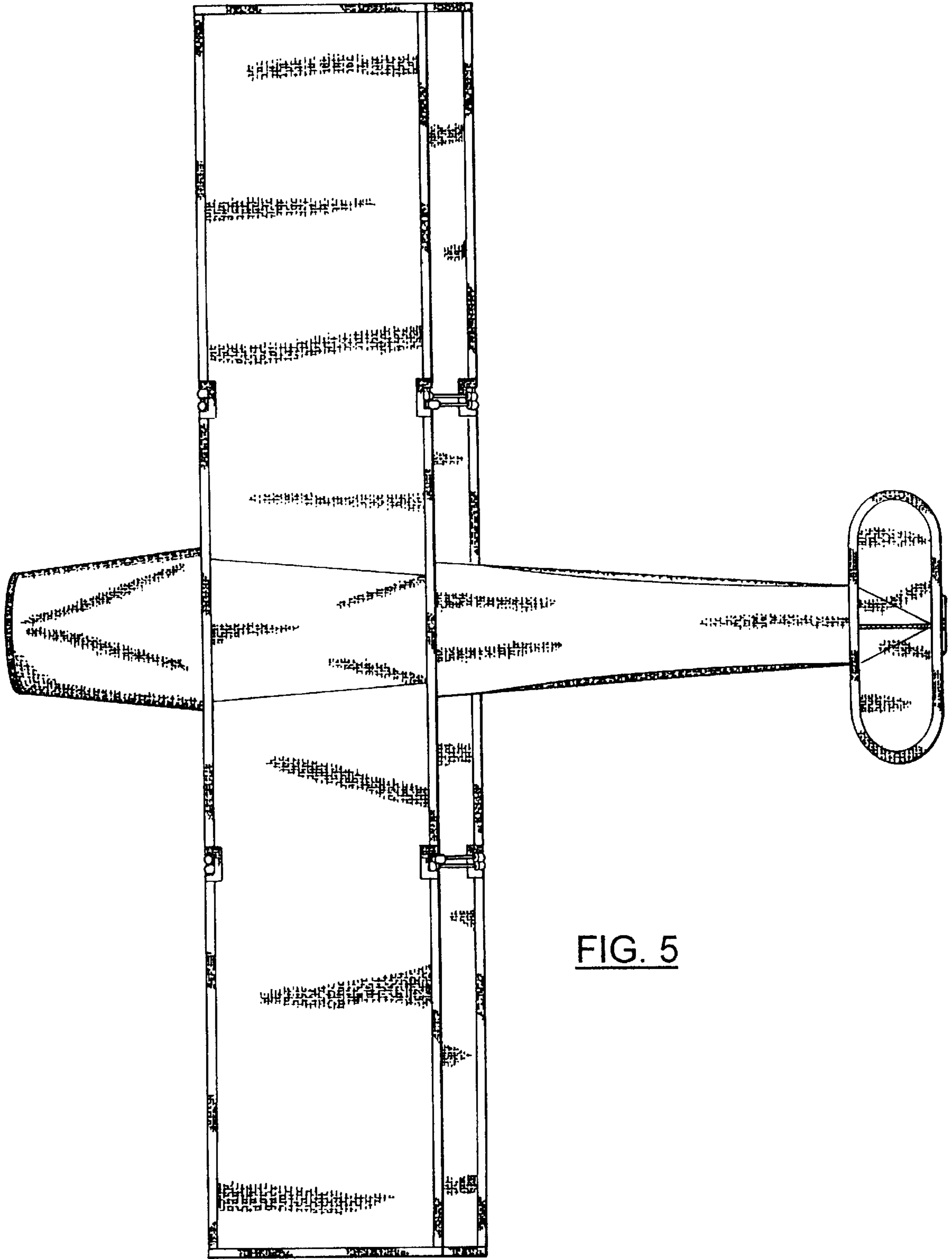


FIG. 4



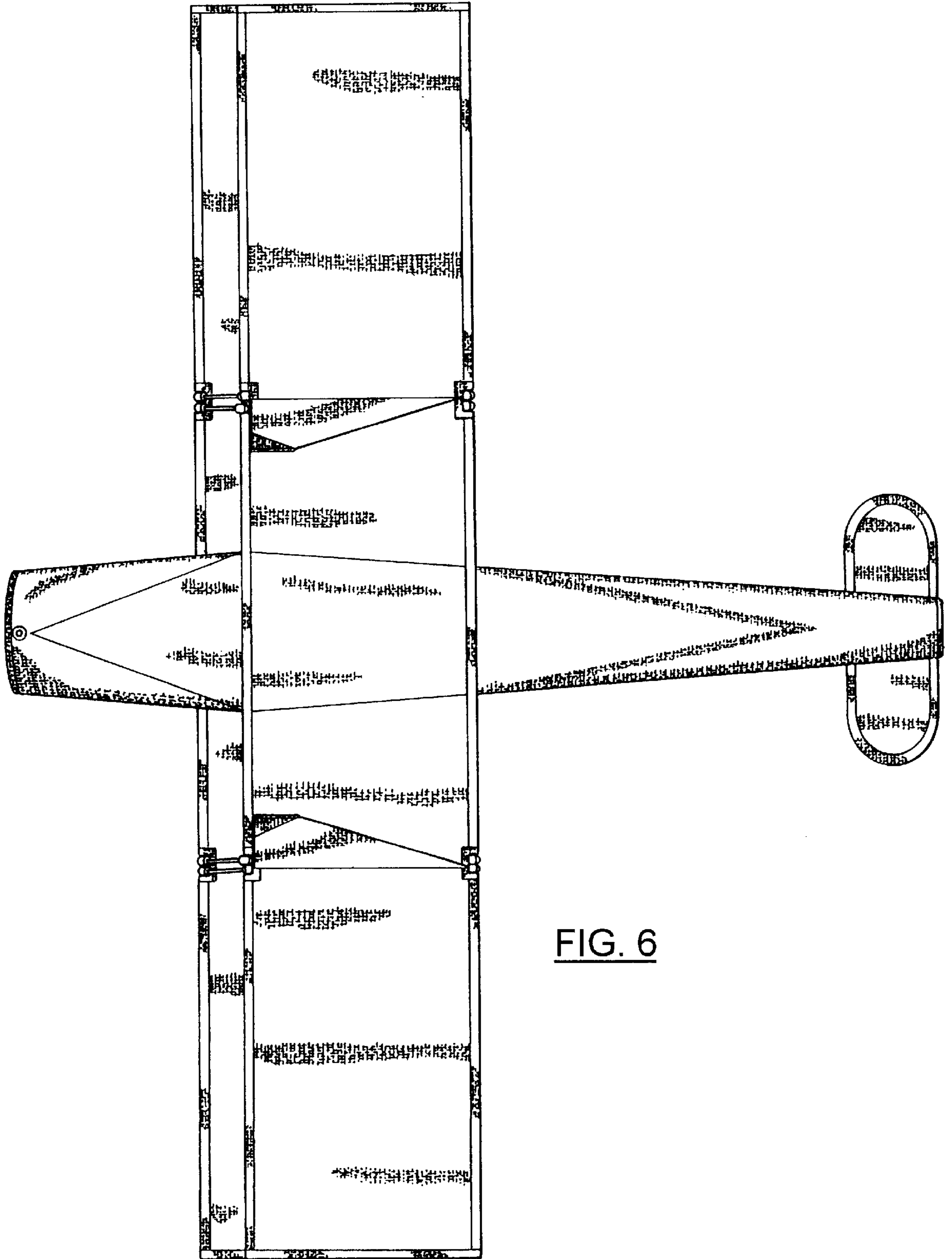


FIG. 6

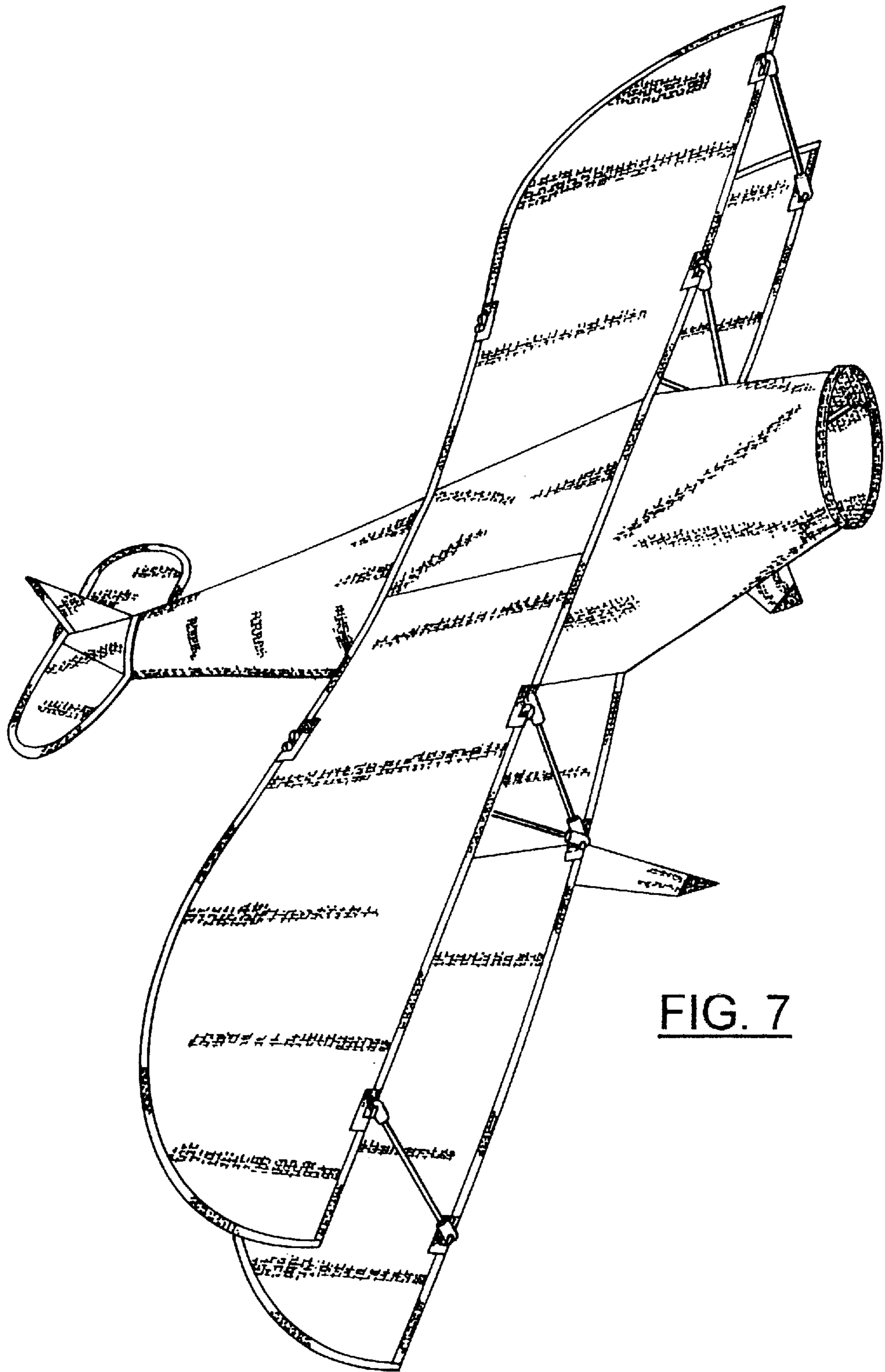
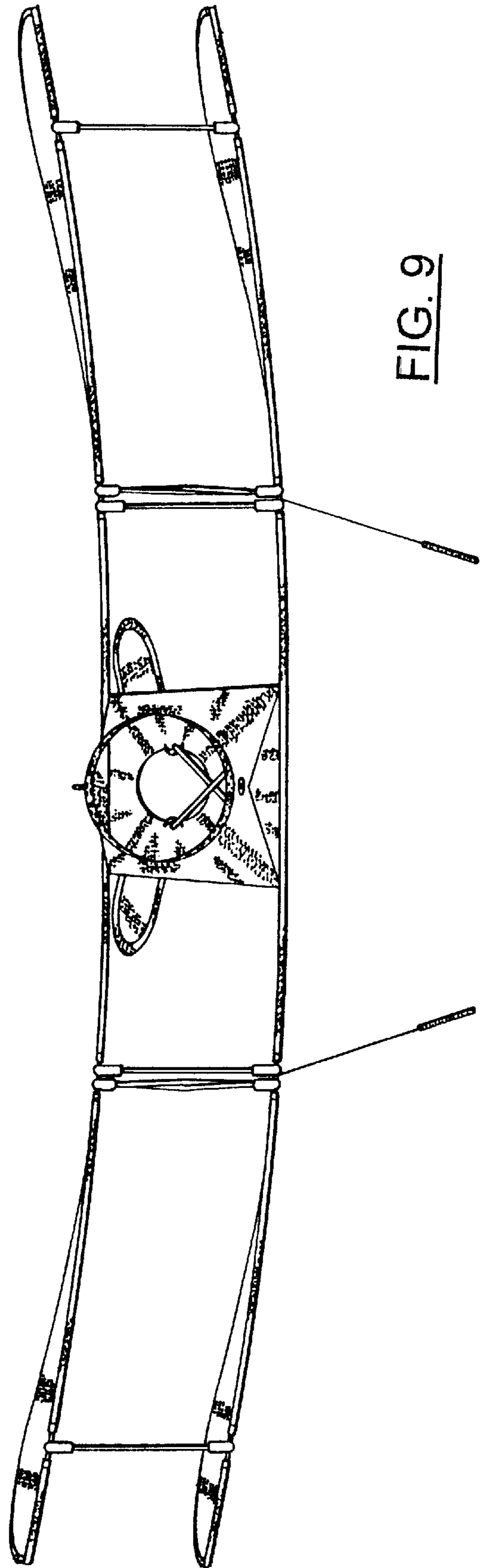
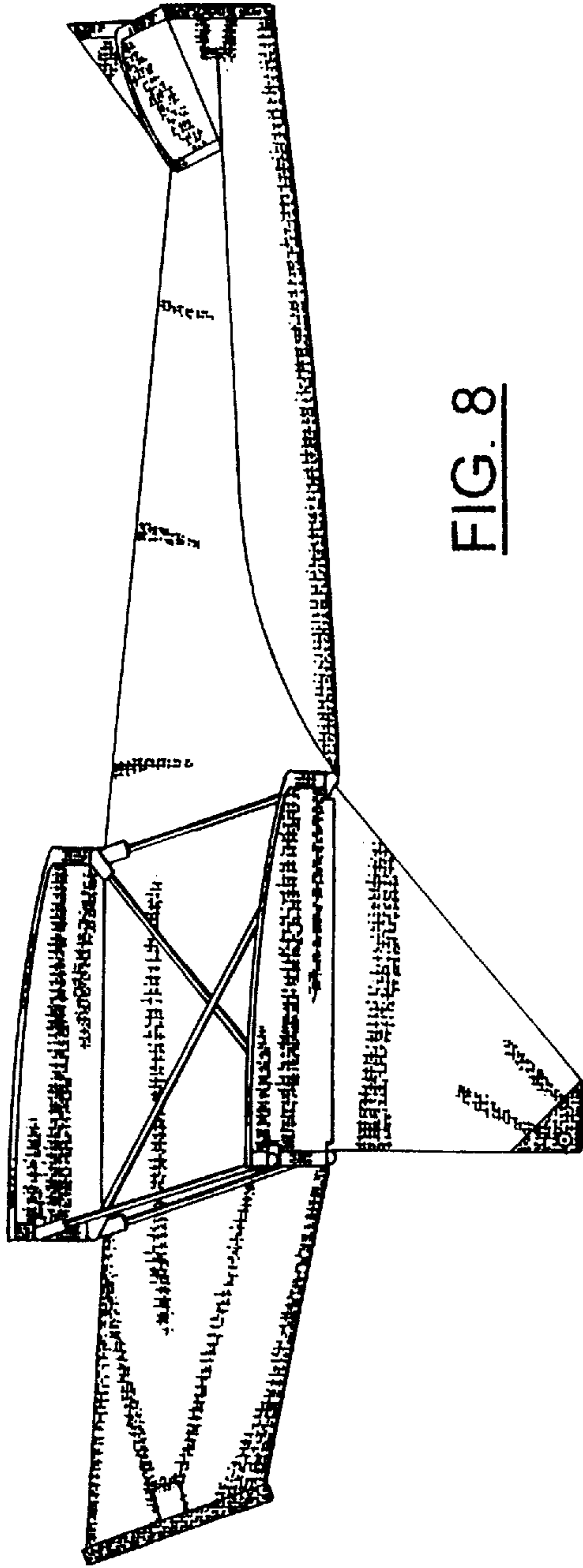
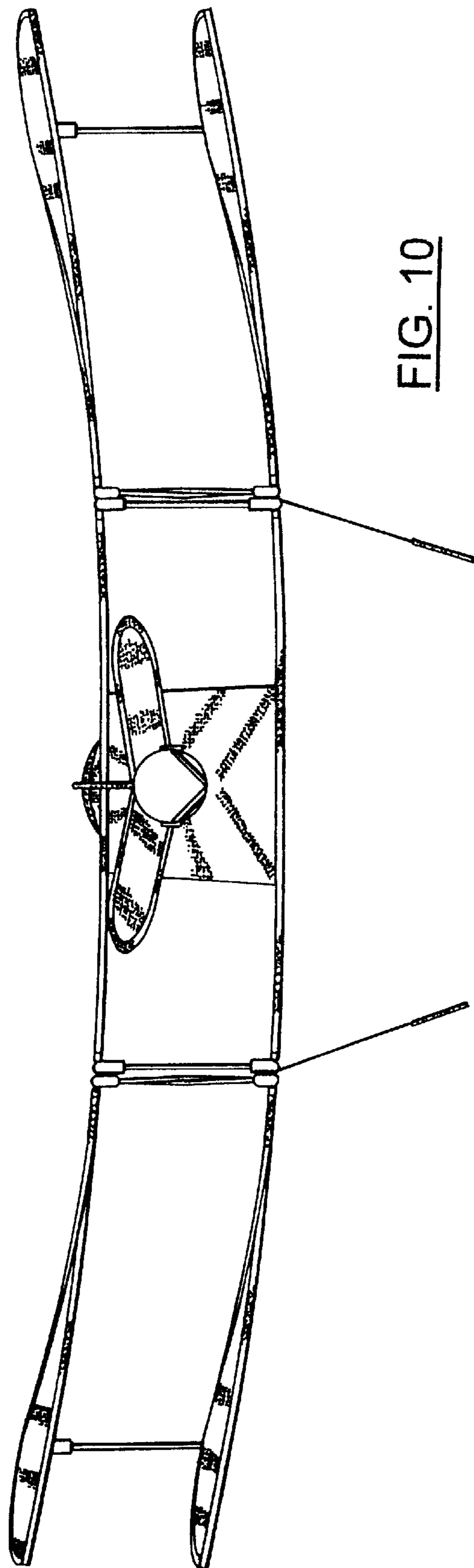


FIG. 7





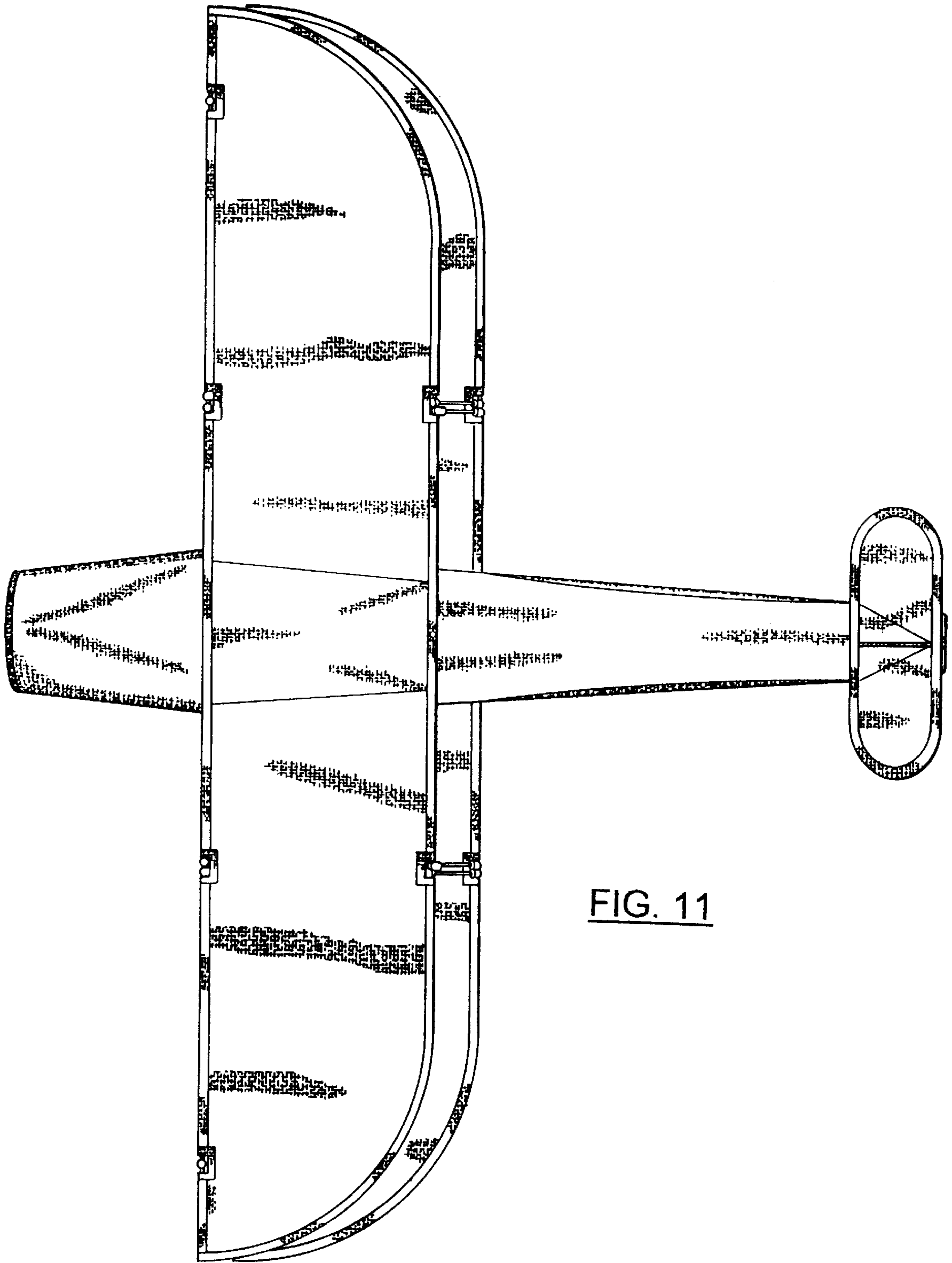


FIG. 11

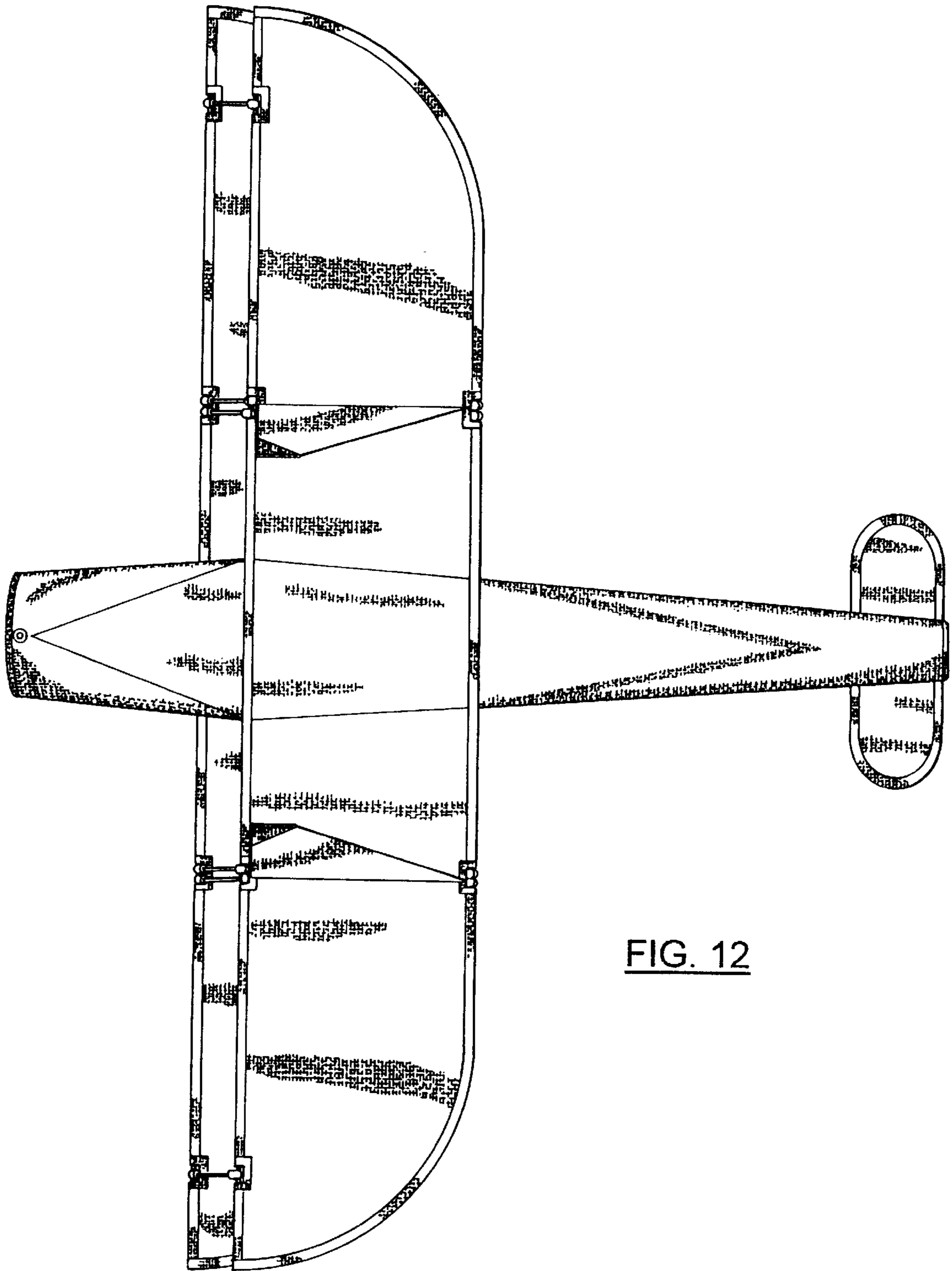


FIG. 12

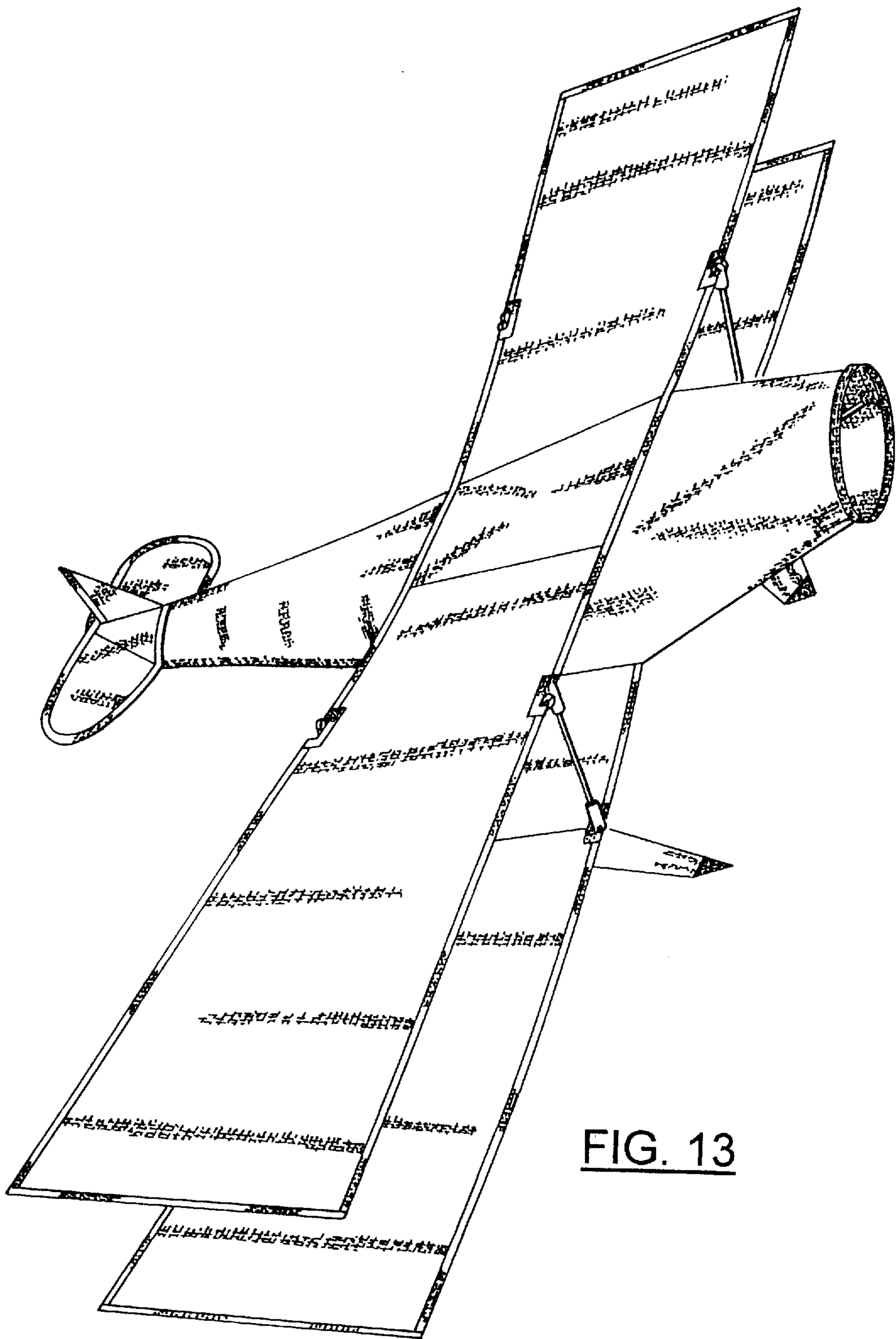


FIG. 13

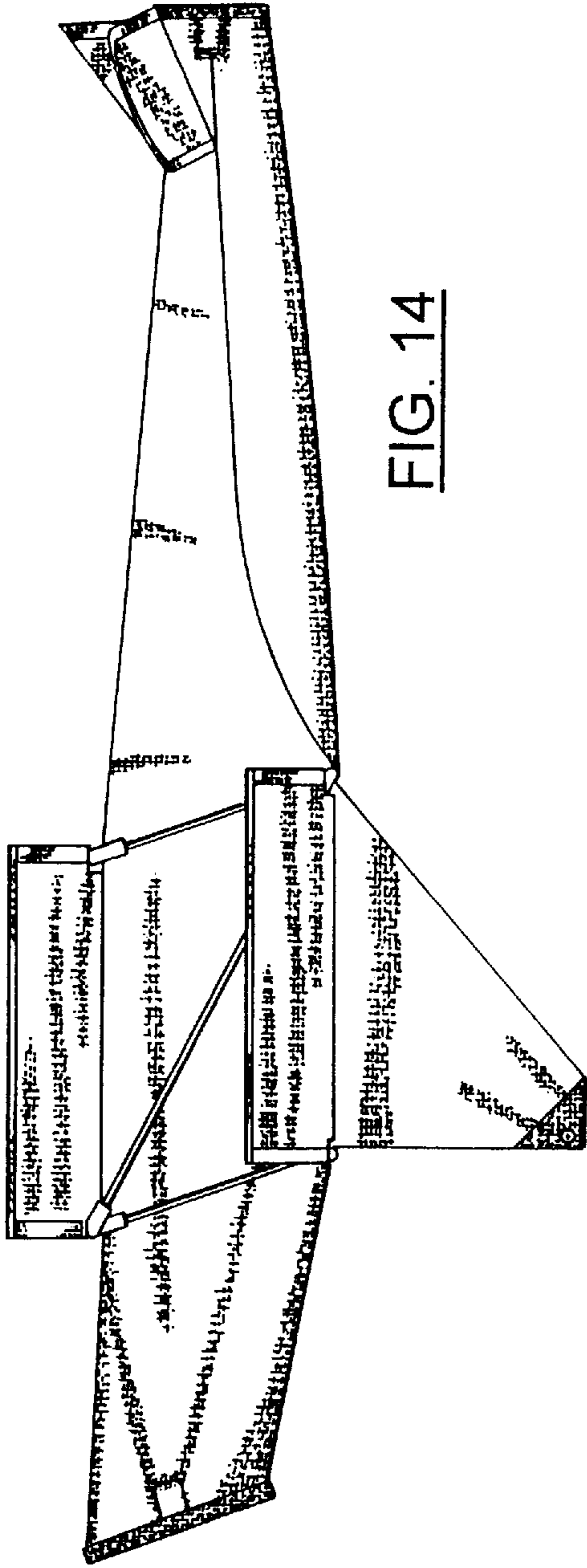


FIG. 14

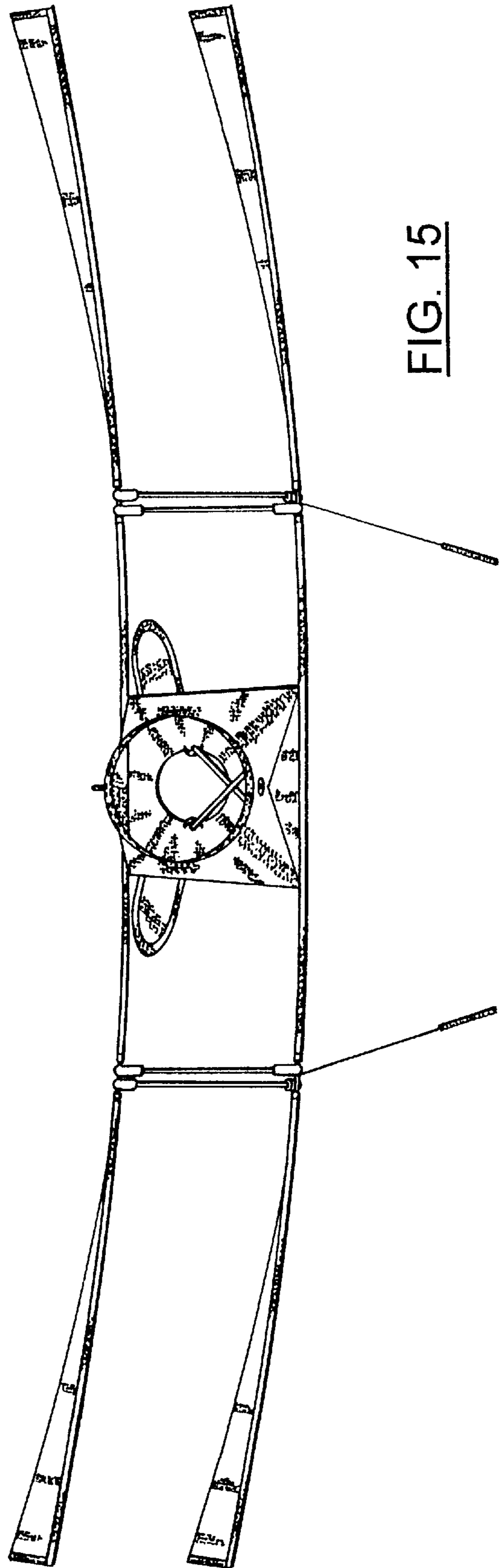


FIG. 15

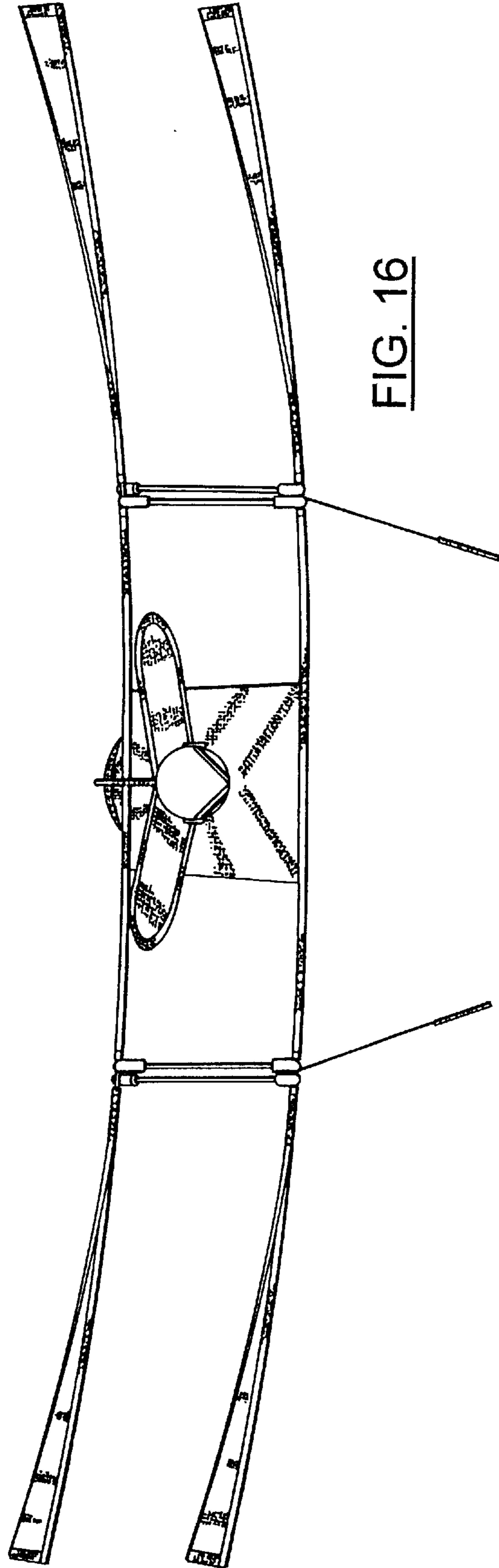


FIG. 16

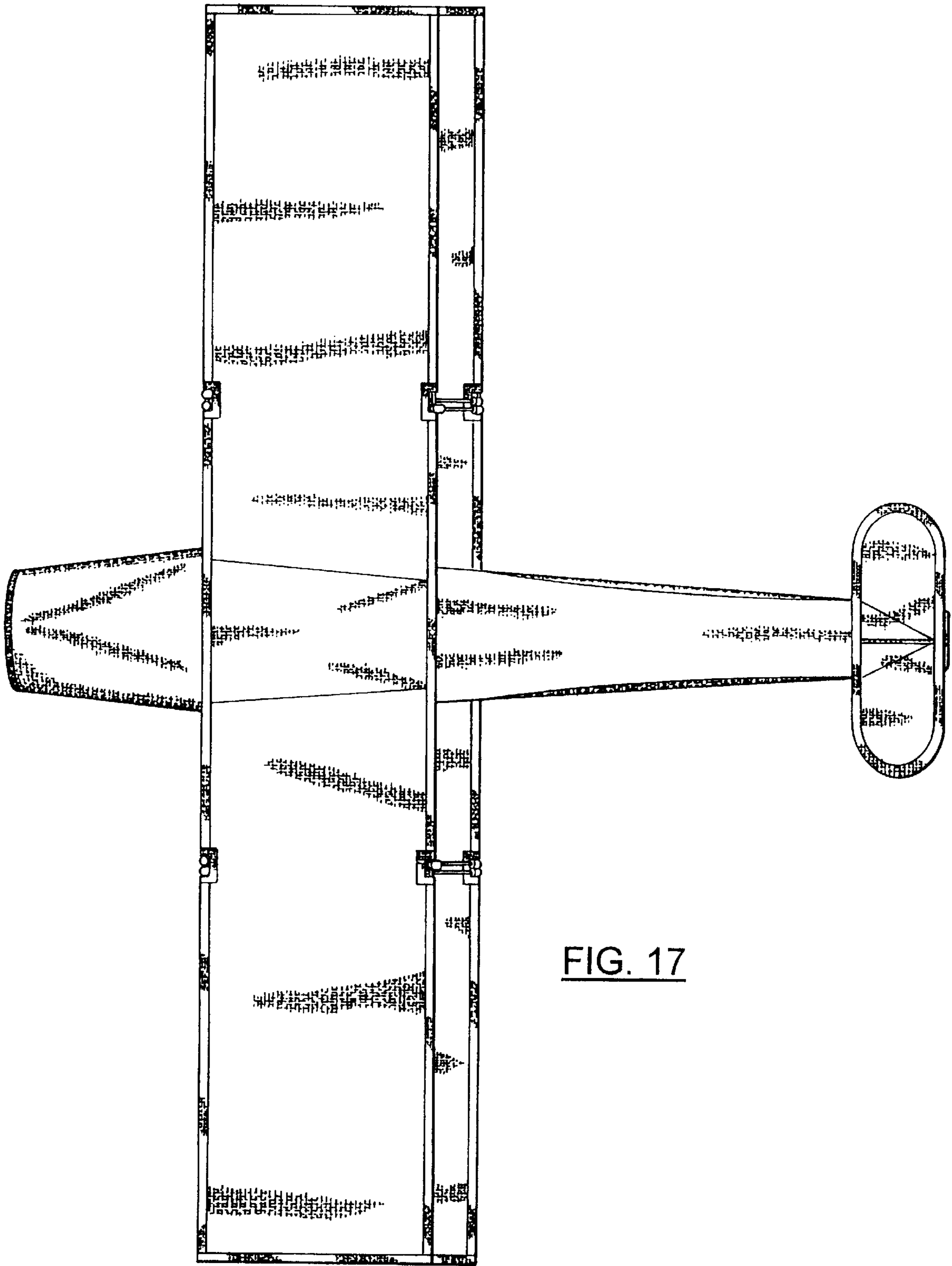


FIG. 17

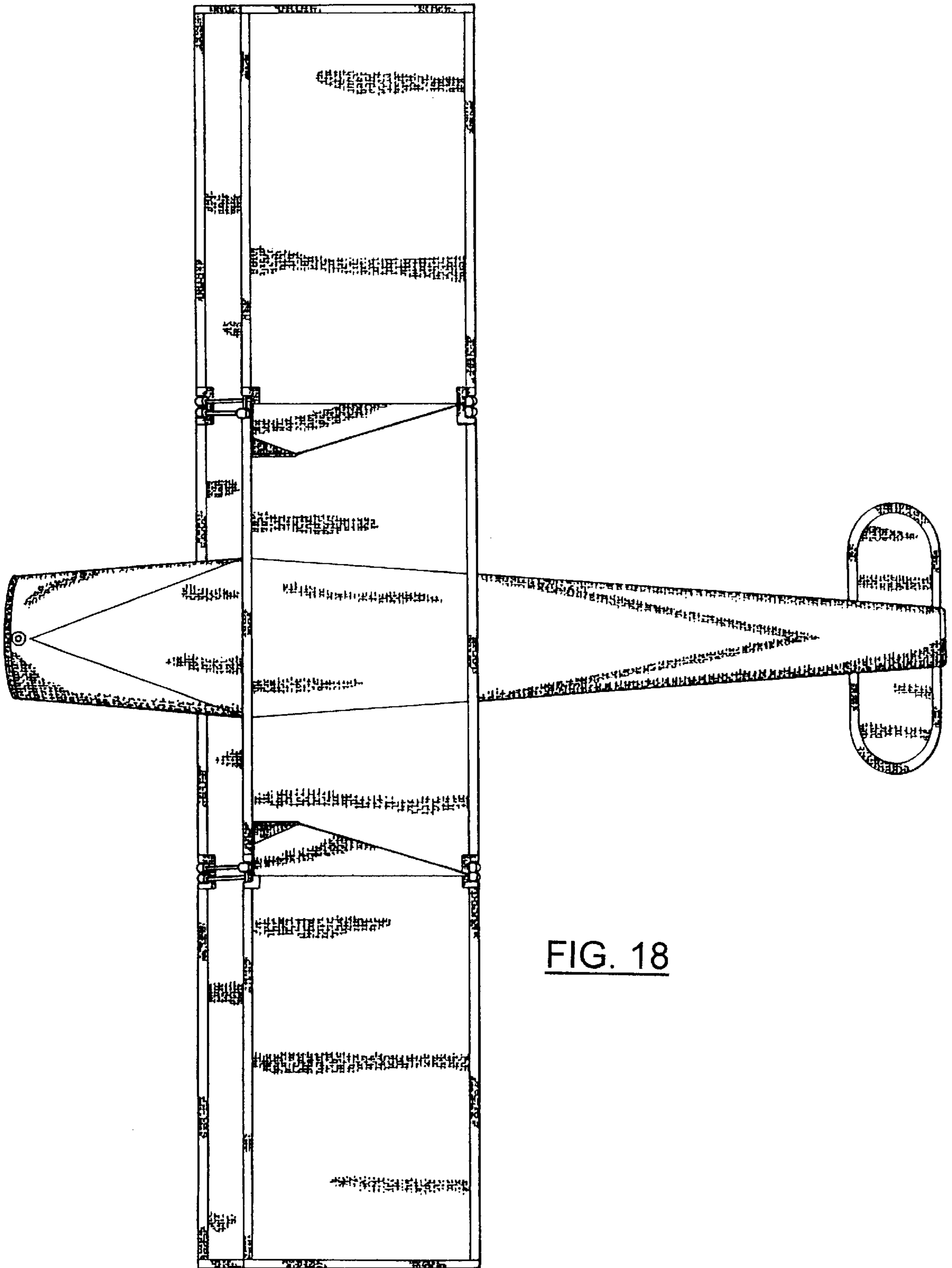


FIG. 18