

US00D407124S

**United States Patent** [19]  
**Melander**

[11] **Patent Number: Des. 407,124**

[45] **Date of Patent: \*\*Mar. 23, 1999**

[54] **THIRD POWER CHESS BOARD**

5,443,268 8/1995 Mayfield et al. .... 273/241

[76] Inventor: **James A. Melander**, 7695 Old Viking Blvd. NW., Anoka, Minn. 55303

*Primary Examiner*—Sandra L. Morris  
*Attorney, Agent, or Firm*—Burd, Bartz & Gutenkauf

[\*\*] Term: **14 Years**

[57] **CLAIM**

[21] Appl. No.: **88,372**

The ornamental design for a third power chess board, as shown and described.

[22] Filed: **May 21, 1998**

**DESCRIPTION**

[51] **LOC (6) Cl.** ..... **21-01**

FIG. 1 is a perspective view of the third power chess board of my new design;

[52] **U.S. Cl.** ..... **D21/337; D21/349**

FIG. 2 is a top plan view thereof;

[58] **Field of Search** ..... **D21/334-369;**

FIG. 3 is a front elevational view thereof;

**273/236-285; D6/574; D19/90**

FIG. 4 is a rear elevational view thereof;

[56] **References Cited**

**U.S. PATENT DOCUMENTS**

D. 172,796	8/1954	Kaye et al.	.....	D21/336
3,656,756	4/1972	Gibbon, Jr.	.....	273/241
3,664,671	5/1972	Davis III	.....	273/241
5,249,805	10/1993	Neil et al.	.....	273/241

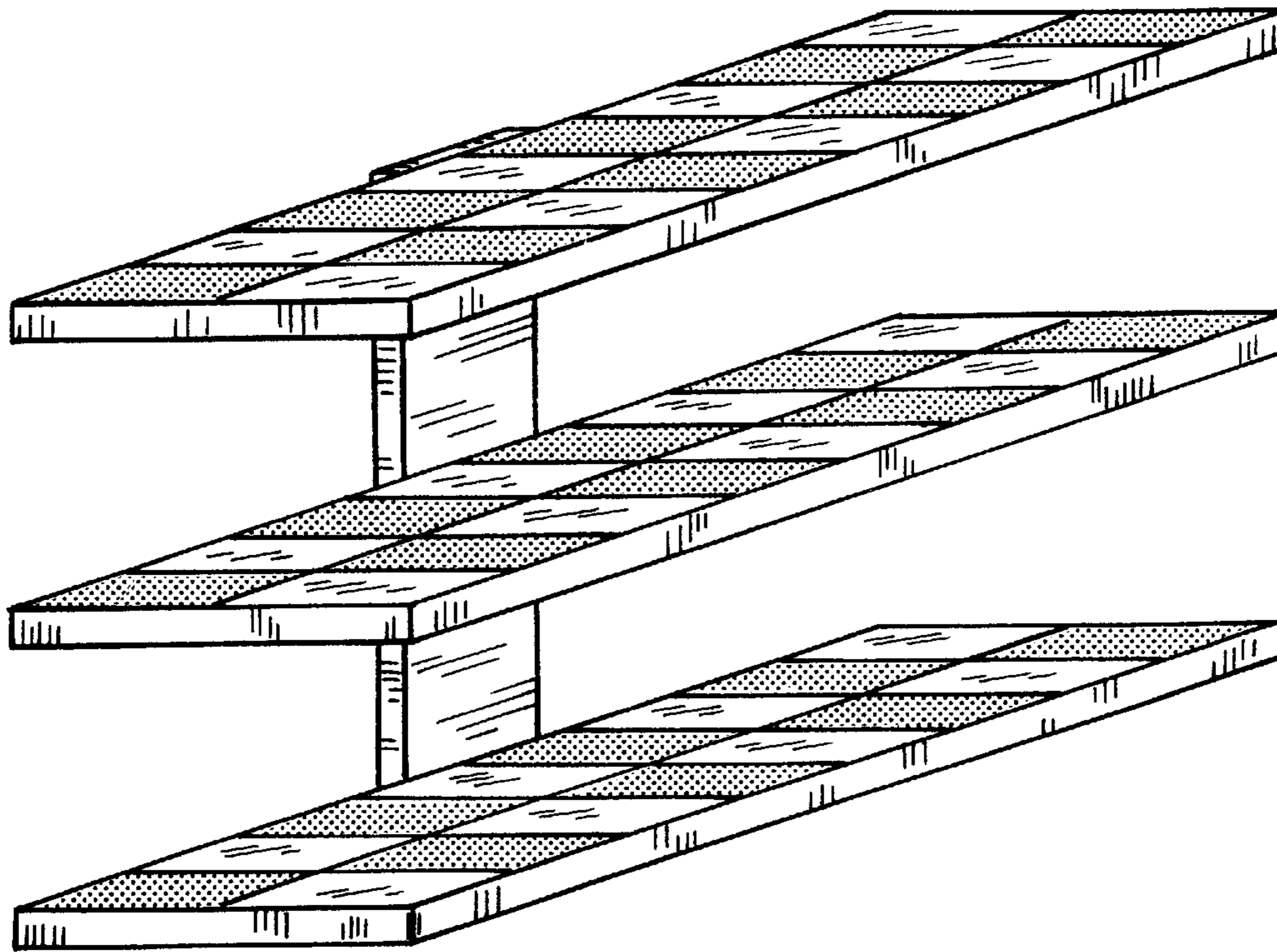
FIG. 5 is a bottom plan view thereof;

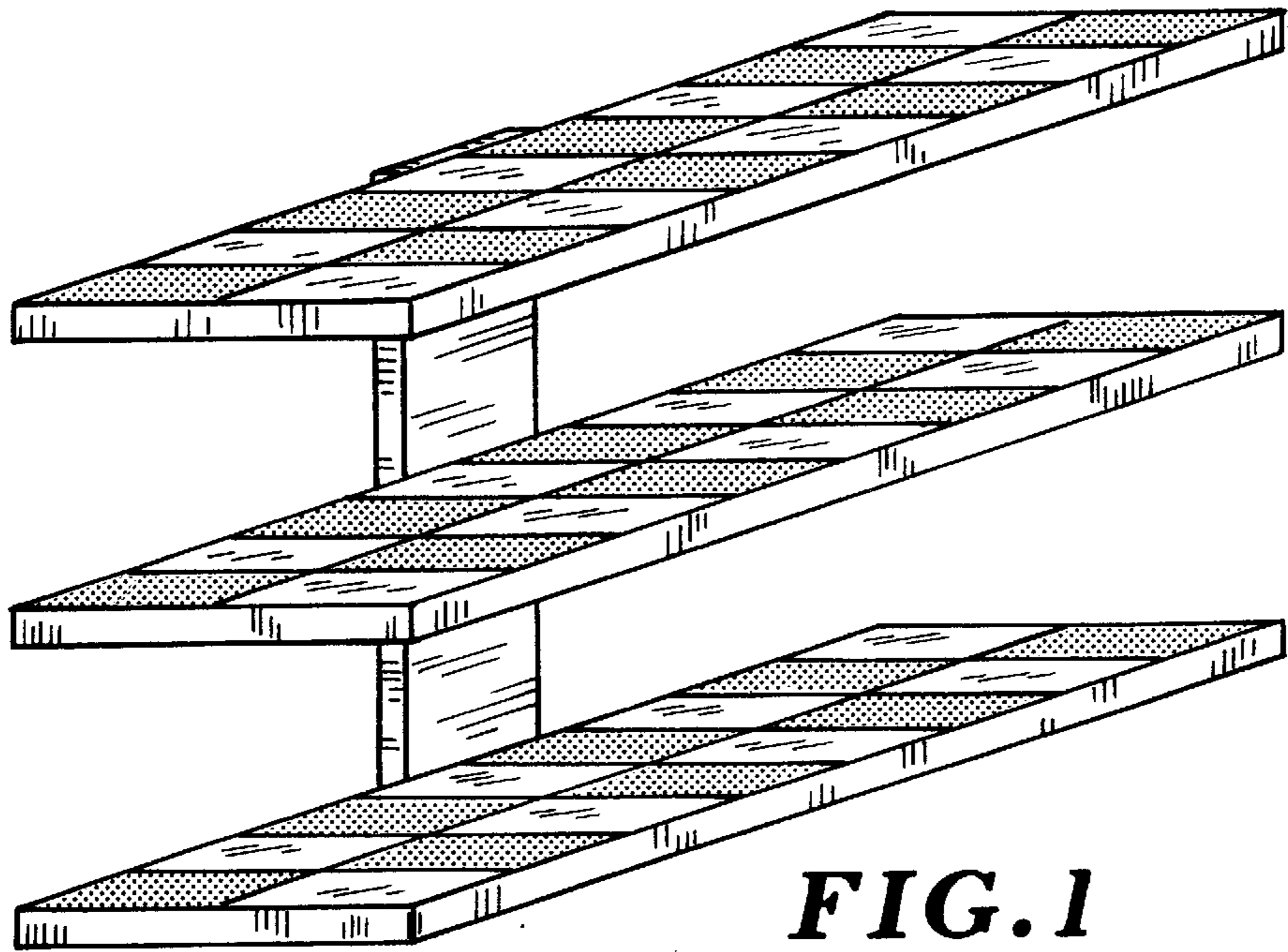
FIG. 6 is a left side elevational view thereof; and,

FIG. 7 is a right side elevational view thereof.

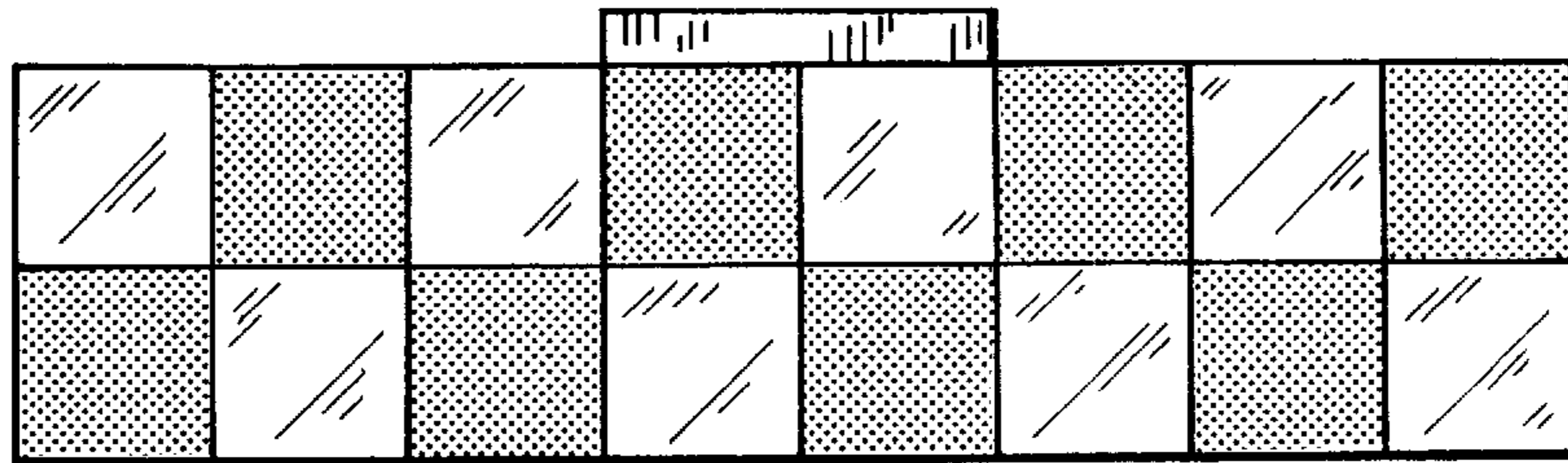
FIGS. 2-7 are shown on an enlarged scale.

**1 Claim, 2 Drawing Sheets**

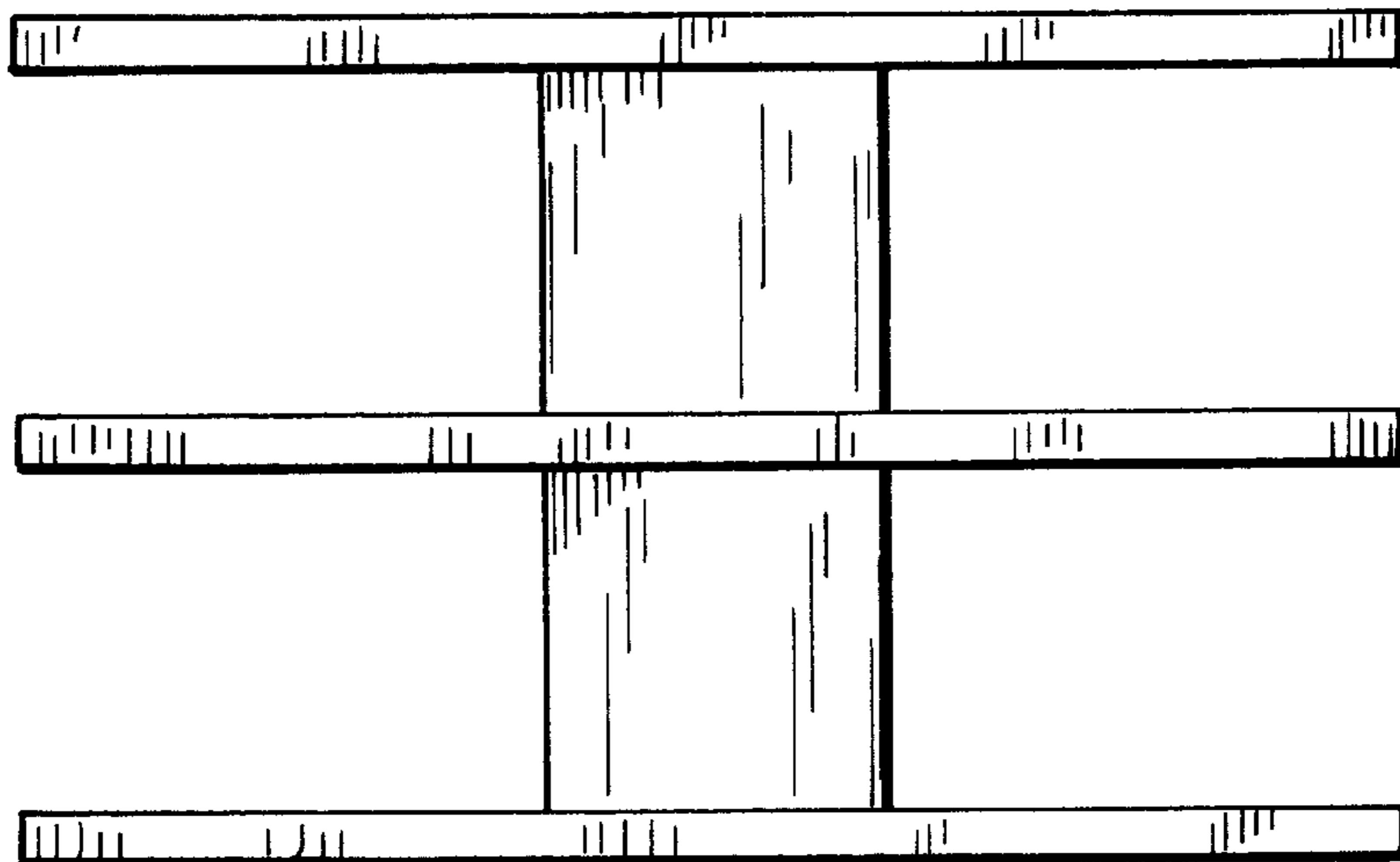




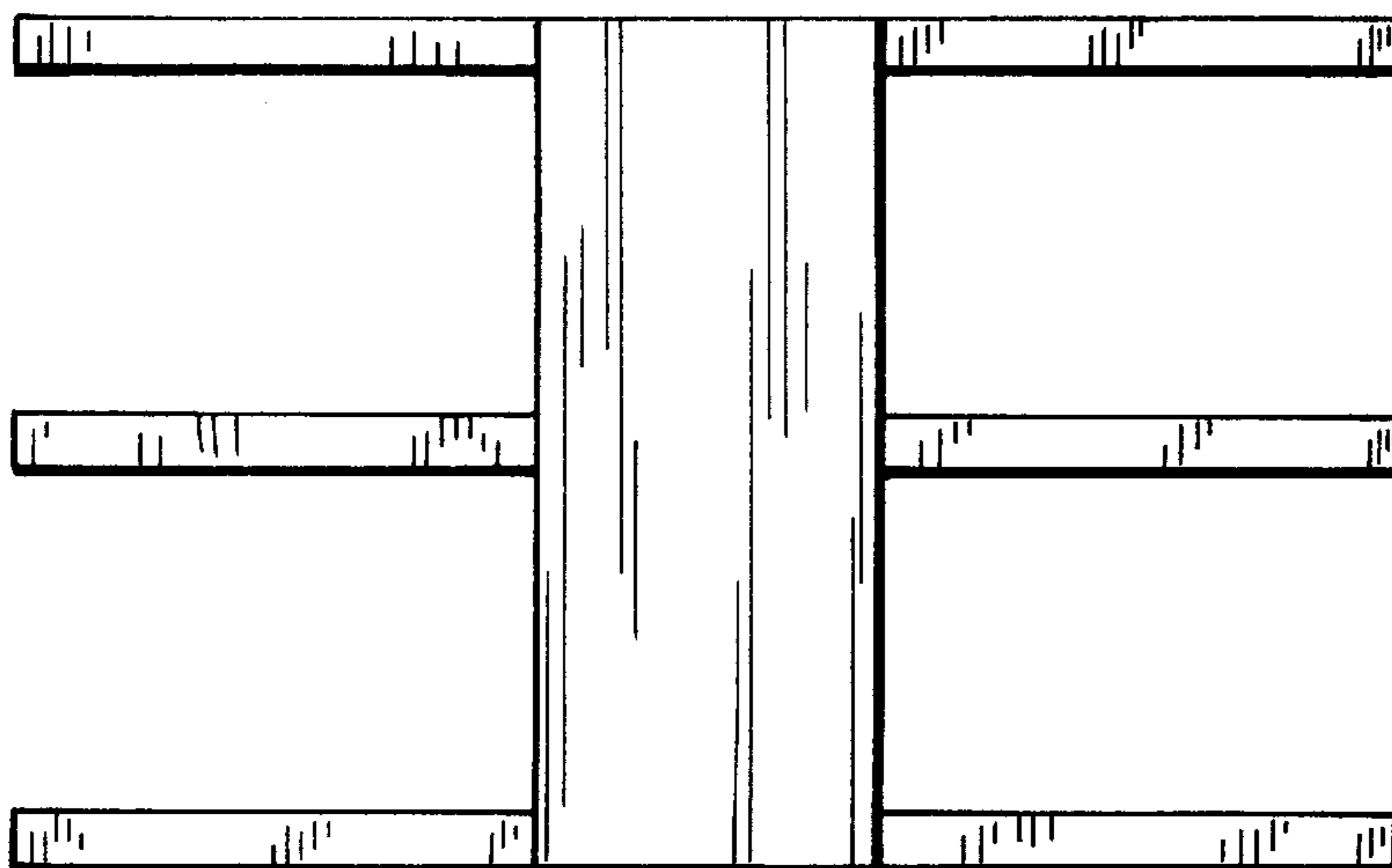
**FIG. 1**



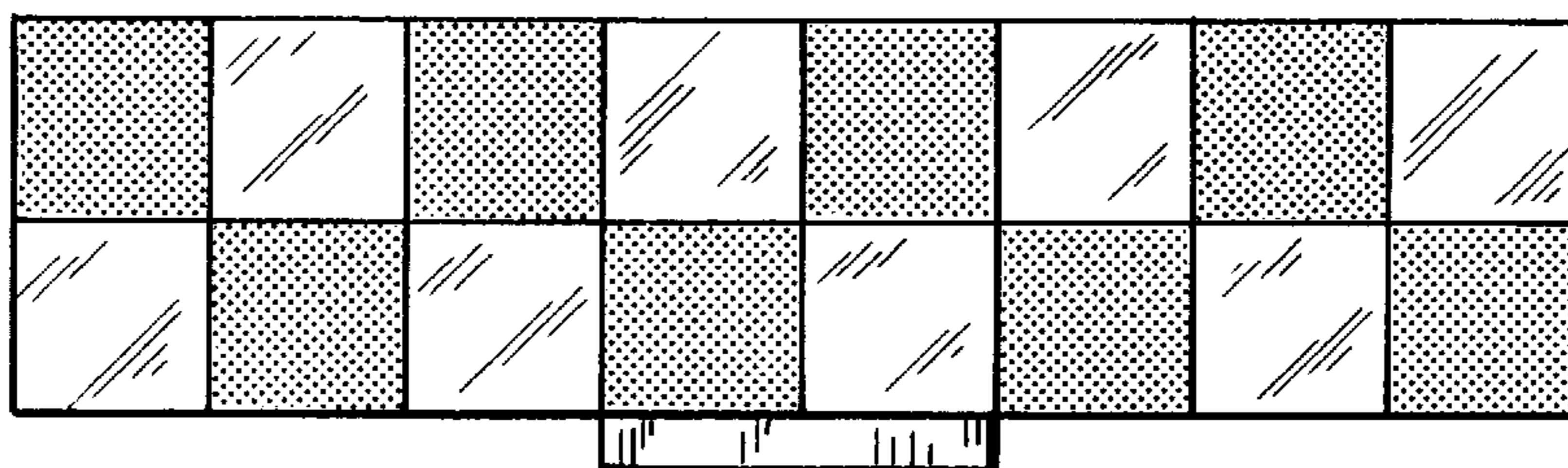
**FIG. 2**



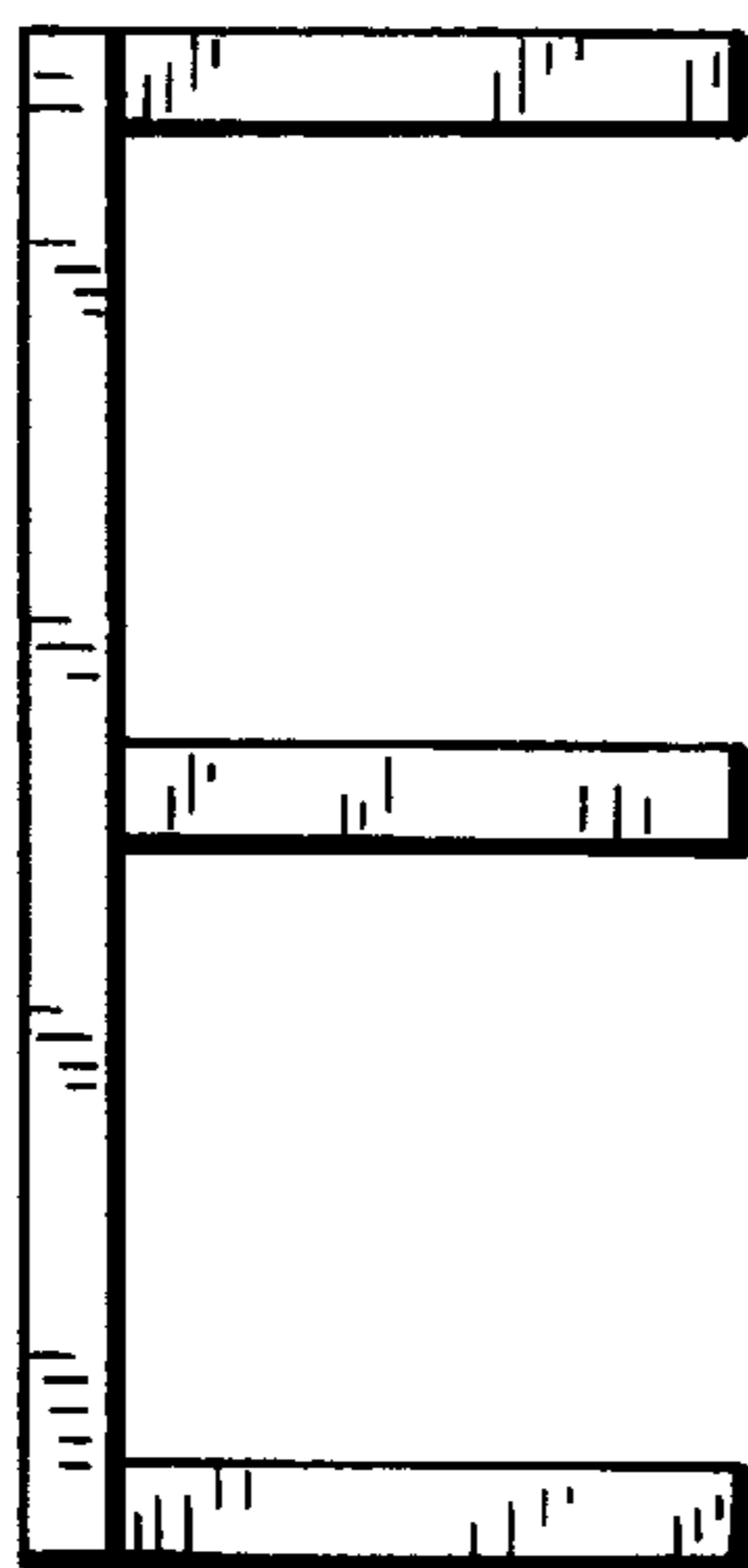
**FIG. 3**



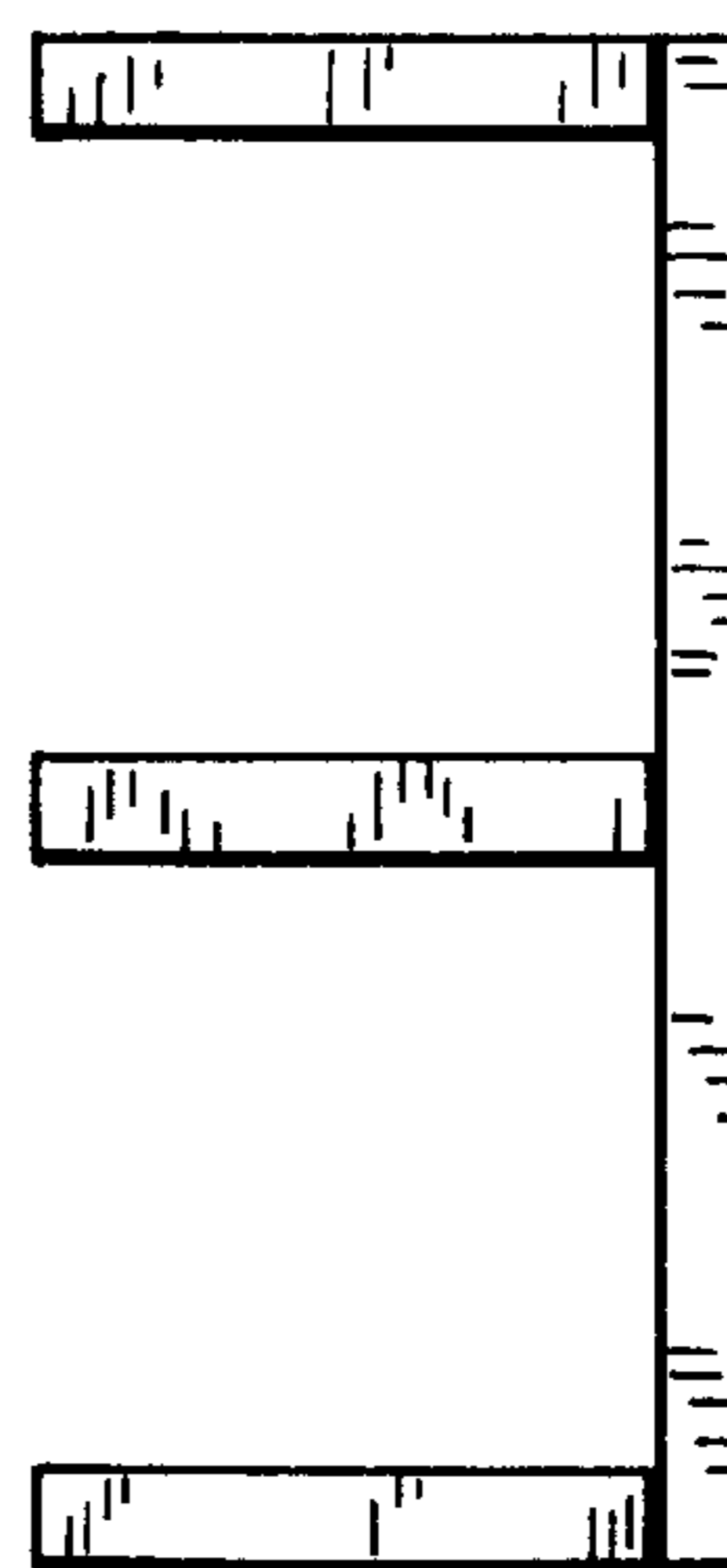
**FIG. 4**



**FIG. 5**



**FIG. 6**



**FIG. 7**