



US00D407119S

United States Patent [19]
Kwan

[11] **Patent Number: Des. 407,119**
[45] **Date of Patent: **Mar. 23, 1999**

[54] **ROTATABLE CARD HOLDER**

[76] Inventor: **Patrick P. Kwan**, 88 Cascade Key,
Bellevue, Wash. 98006

[**] Term: **14 Years**

[21] Appl. No.: **74,667**

[22] Filed: **Aug. 7, 1997**

[51] **LOC (6) Cl. 20-02**

[52] **U.S. Cl. D20/21; D16/314; D20/40;**
40/734; 40/737; 40/661; 40/745; 40/765;
40/747

[58] **Field of Search D6/314; D20/10,**
D20/40, 43, 21; 40/734, 737, 661, 745,
765, 747

[56] **References Cited**

U.S. PATENT DOCUMENTS

- D. 158,699 5/1950 Wasilevich .
- D. 201,411 6/1965 Tucker .
- D. 202,315 9/1965 Tucker .
- D. 229,458 12/1973 Schneider .
- D. 250,960 1/1979 Bitner, Jr. et al. .
- D. 260,864 9/1981 Perry .
- D. 277,969 3/1985 Bustos .
- D. 291,900 9/1987 Mortensen .
- D. 350,566 9/1994 Pearson D20/40
- D. 352,176 11/1994 McMillan .
- D. 359,641 6/1995 Kwan .
- D. 367,560 3/1996 Kwan .
- D. 367,561 3/1996 Kwan .

- D. 375,980 11/1996 Current D20/40
- 2,454,648 11/1948 Green 40/747 X
- 3,658,413 4/1972 Cornell .
- 3,703,045 11/1972 Nyman .
- 4,019,269 4/1977 Vix .
- 4,195,729 4/1980 Macken .
- 4,594,802 6/1986 Field 40/661
- 4,944,412 7/1990 Daigre .
- 5,082,110 1/1992 Hagar .
- 5,165,538 11/1992 Peters .

FOREIGN PATENT DOCUMENTS

- 69963 1/1992 Canada .
- 76022 3/1995 Canada .

Primary Examiner—Susan J. Lucas
Assistant Examiner—Jennifer Rivard
Attorney, Agent, or Firm—Lyon & Lyon LLP

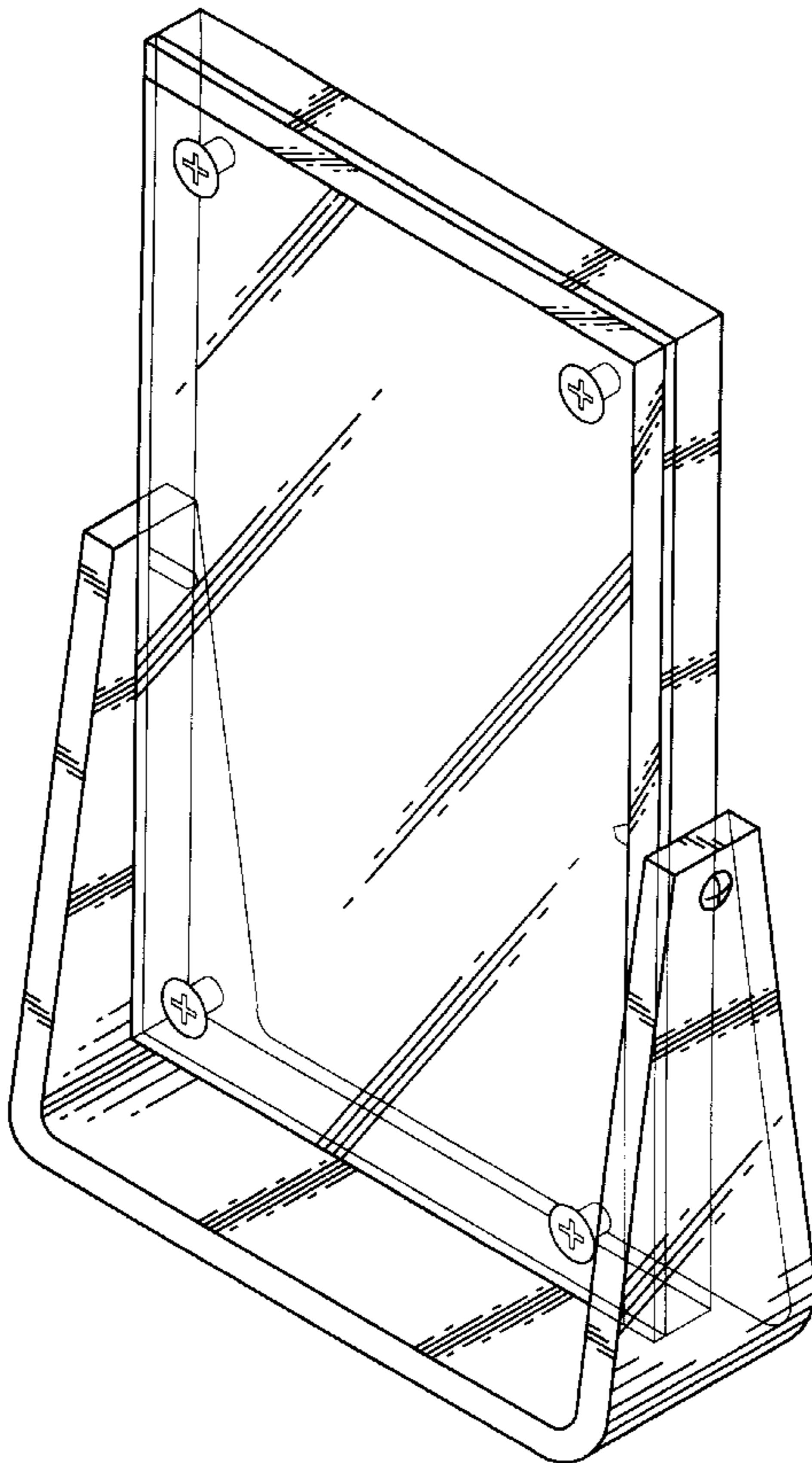
[57] **CLAIM**

The ornamental design for a rotatable card holder, as shown and described.

DESCRIPTION

FIG. 1 is a perspective view of a rotatable card holder showing my new design;
FIG. 2 is a front view thereof;
FIG. 3 is a rear view thereof;
FIG. 4 is a right side view thereof;
FIG. 5 is a left side view thereof;
FIG. 6 is a top view thereof; and,
FIG. 7 is a bottom view thereof.

1 Claim, 3 Drawing Sheets



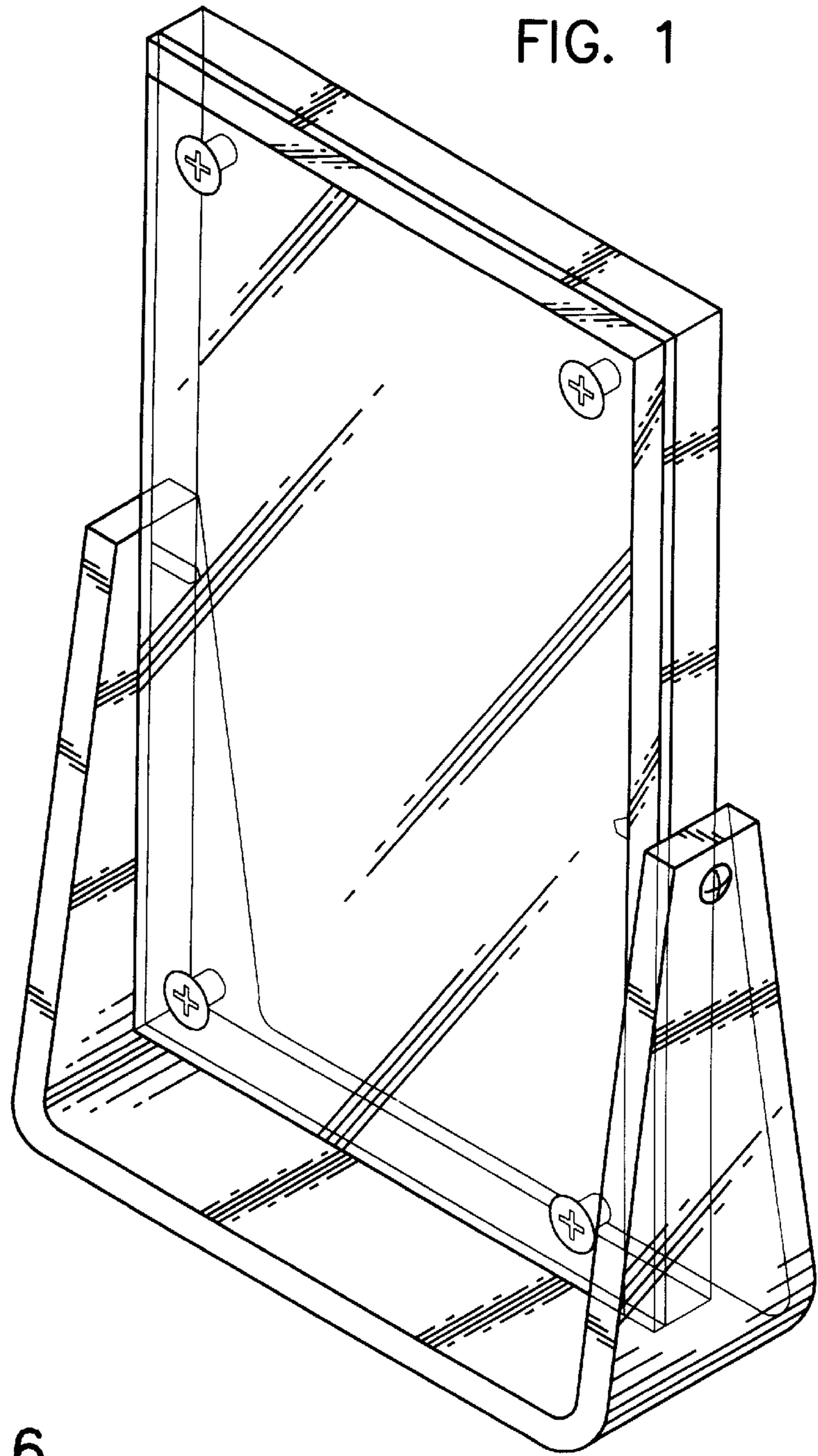


FIG. 6

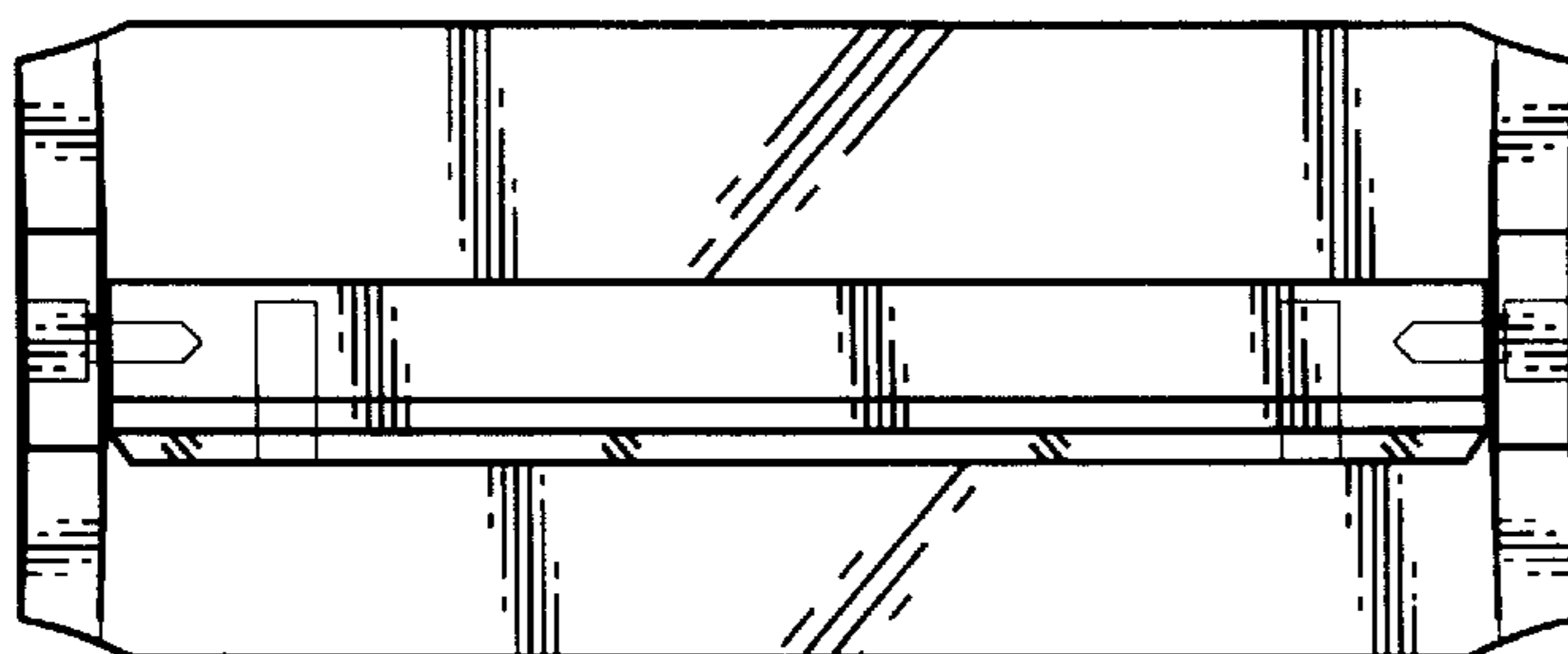


FIG. 3

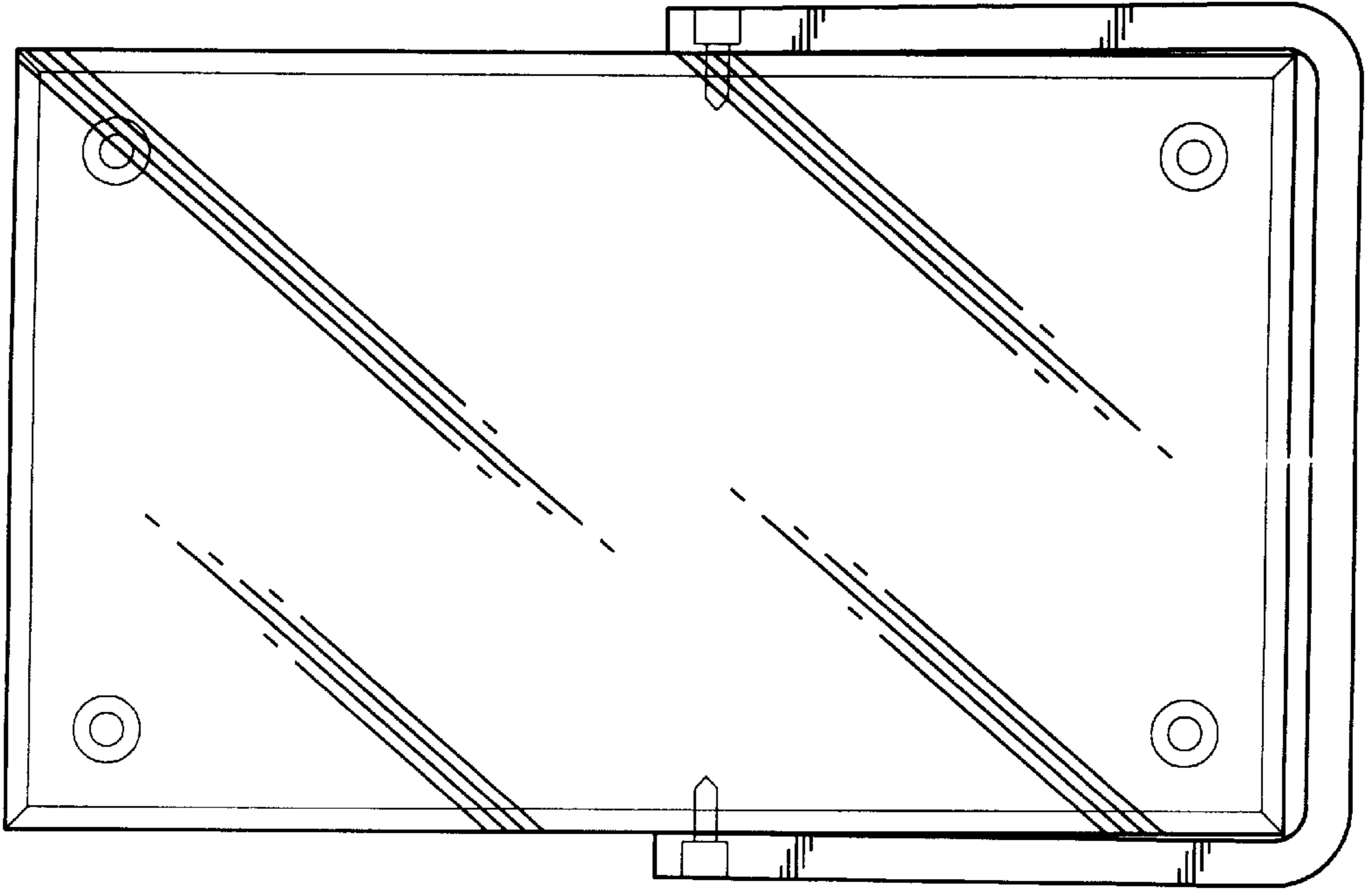


FIG. 2

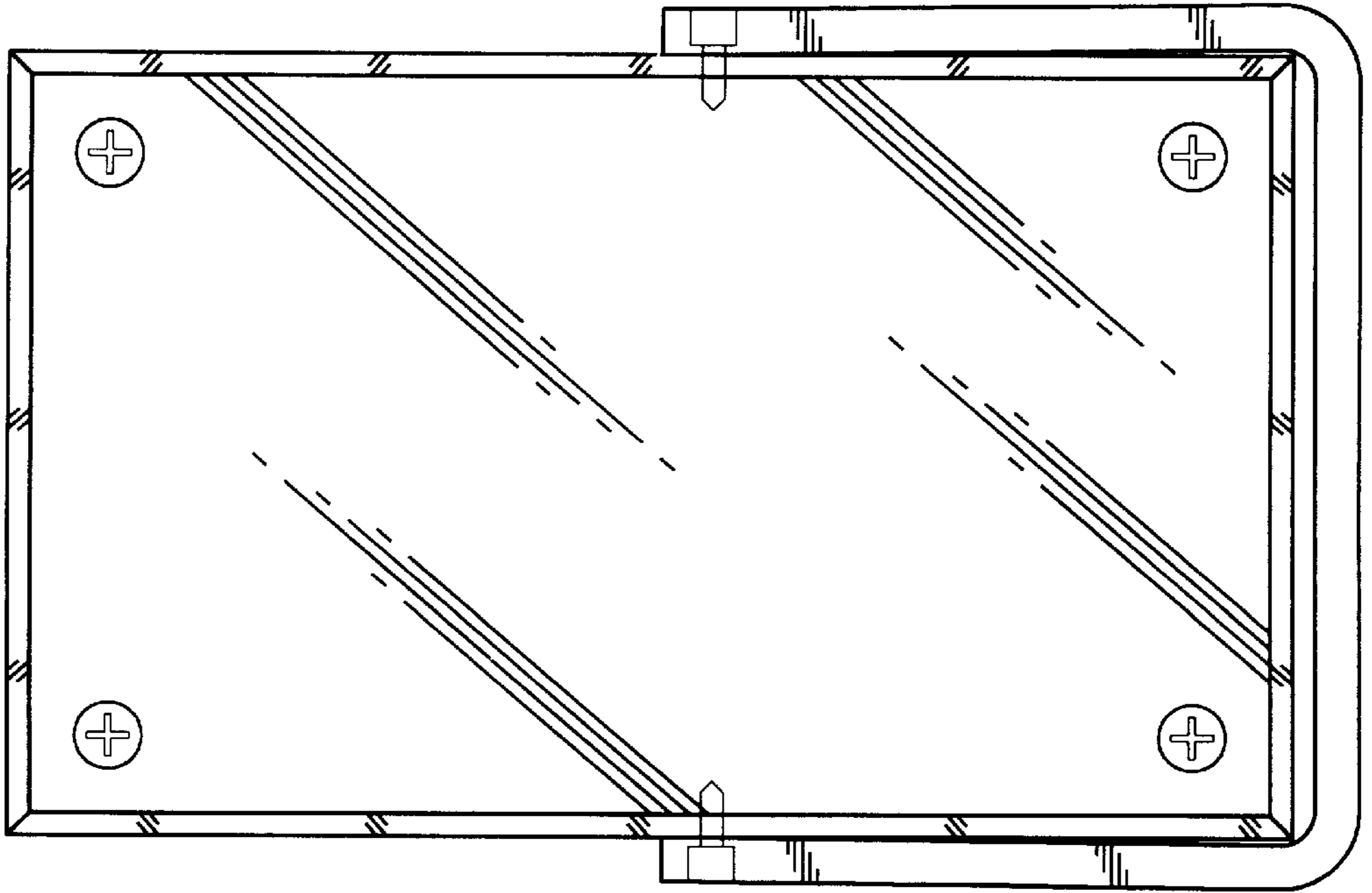


FIG. 4

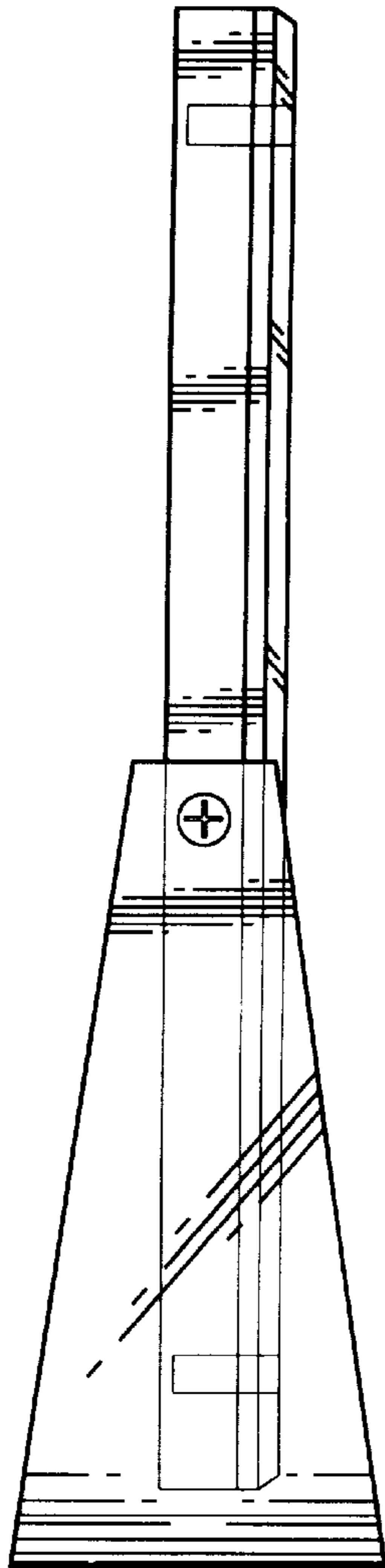


FIG. 5

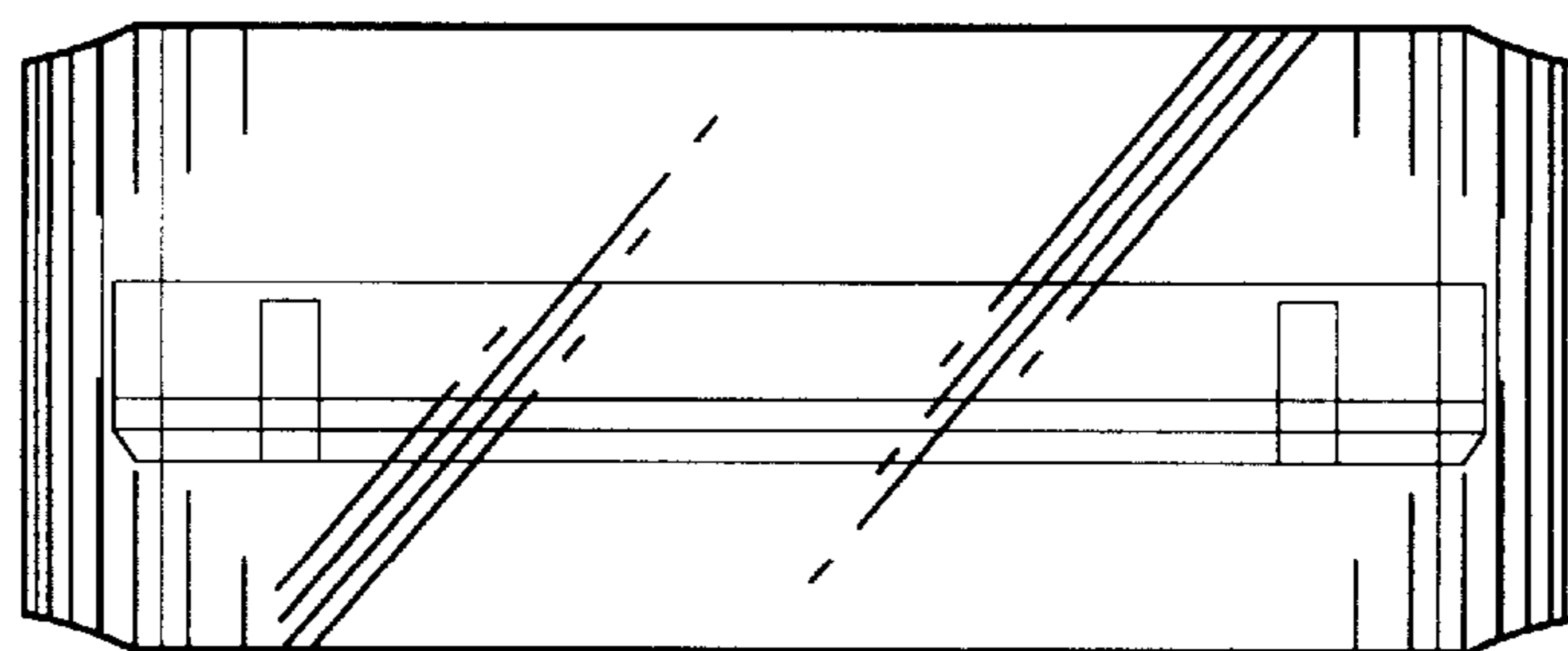
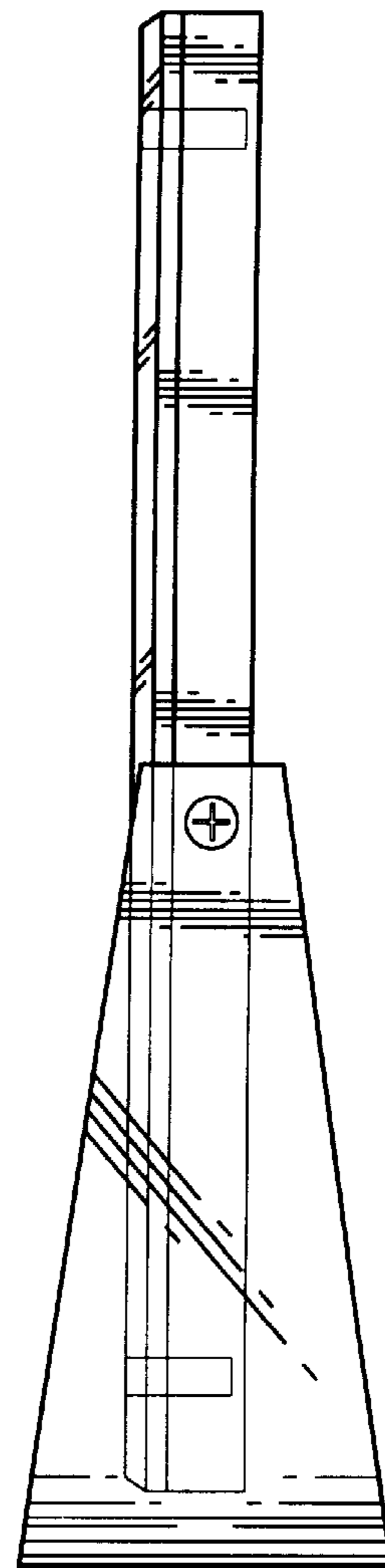


FIG. 7