



US00D407113S

United States Patent [19]
Rubin

[11] **Patent Number: Des. 407,113**

[45] **Date of Patent: **Mar. 23, 1999**

[54] **CHART HOLDER**

[75] Inventor: **Laurence S. Rubin**, Englewood Cliff, N.J.

[73] Assignee: **Testrite Instrument Co. Inc.**, Newark, N.J.

[**] Term: **14 Years**

[21] Appl. No.: **45,337**

[22] Filed: **Oct. 17, 1995**

[51] **LOC (6) Cl.** **19-02**

[52] **U.S. Cl.** **D19/90**

[58] **Field of Search** D8/355; D20/43; 40/493, 389, 518; 248/206.5; 211/45; D19/90

[56] **References Cited**

U.S. PATENT DOCUMENTS

D. 327,501 6/1992 Maloney D19/90 X

OTHER PUBLICATIONS

A.L. Liebman and Son, Jan. 16, 1985, p. 18, support located in middle of page.

Primary Examiner—Holly Baynham
Attorney, Agent, or Firm—Helfgott & Karas, P.C.

[57] **CLAIM**

The ornamental design for a chart holder, as shown and described.

DESCRIPTION

FIG. 1 is a top perspective view of a chart holder showing the new design;

FIG. 2 is a top plan view thereof;

FIG. 3 is a front elevational view thereof;

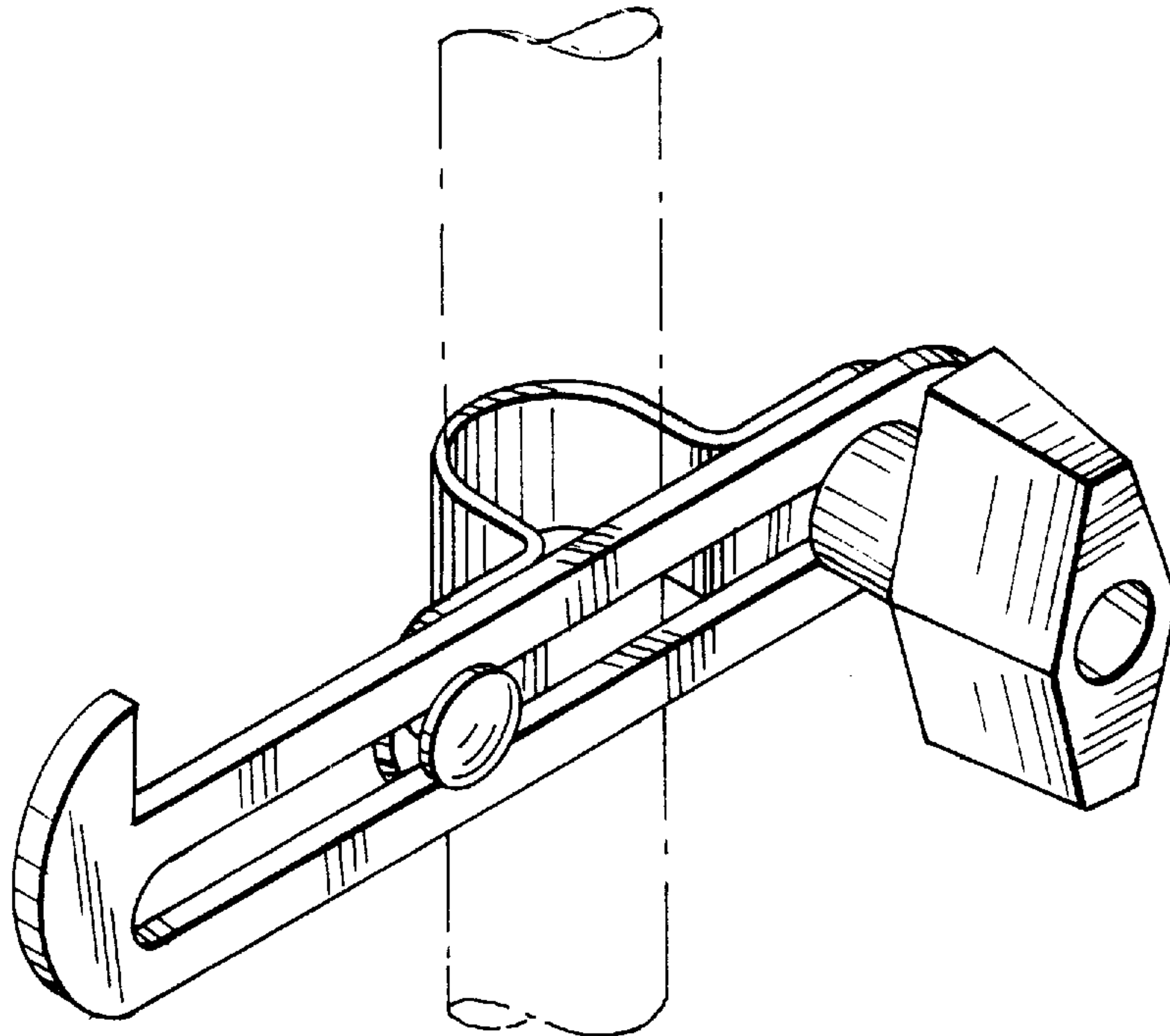
FIG. 4 is a right-end elevation view thereof;

FIG. 5 is a left-end elevational view thereof;

FIG. 6 is a rear elevation view thereof; and,

FIG. 7 is a bottom plan view thereof.

1 Claim, 2 Drawing Sheets



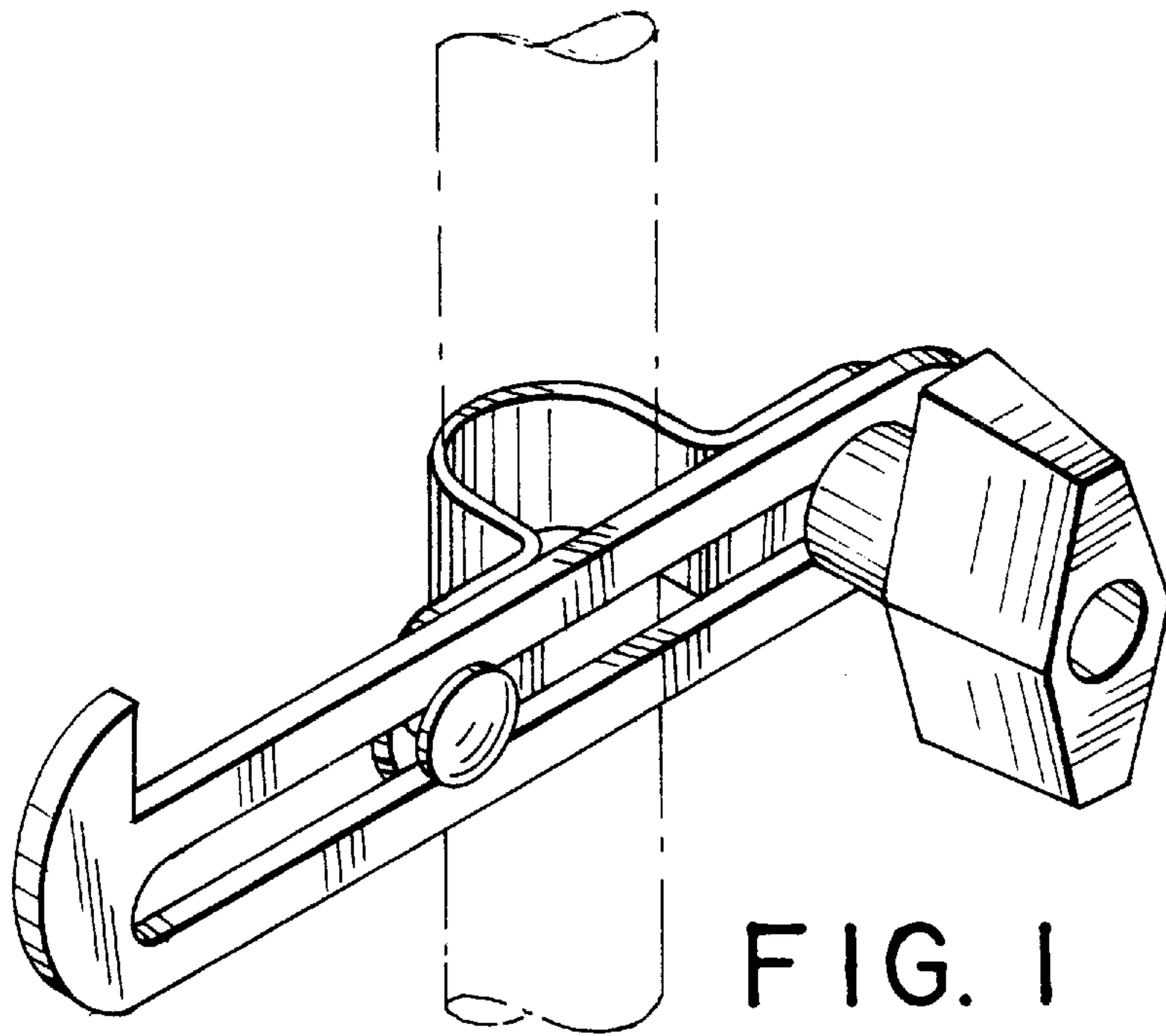


FIG. 1

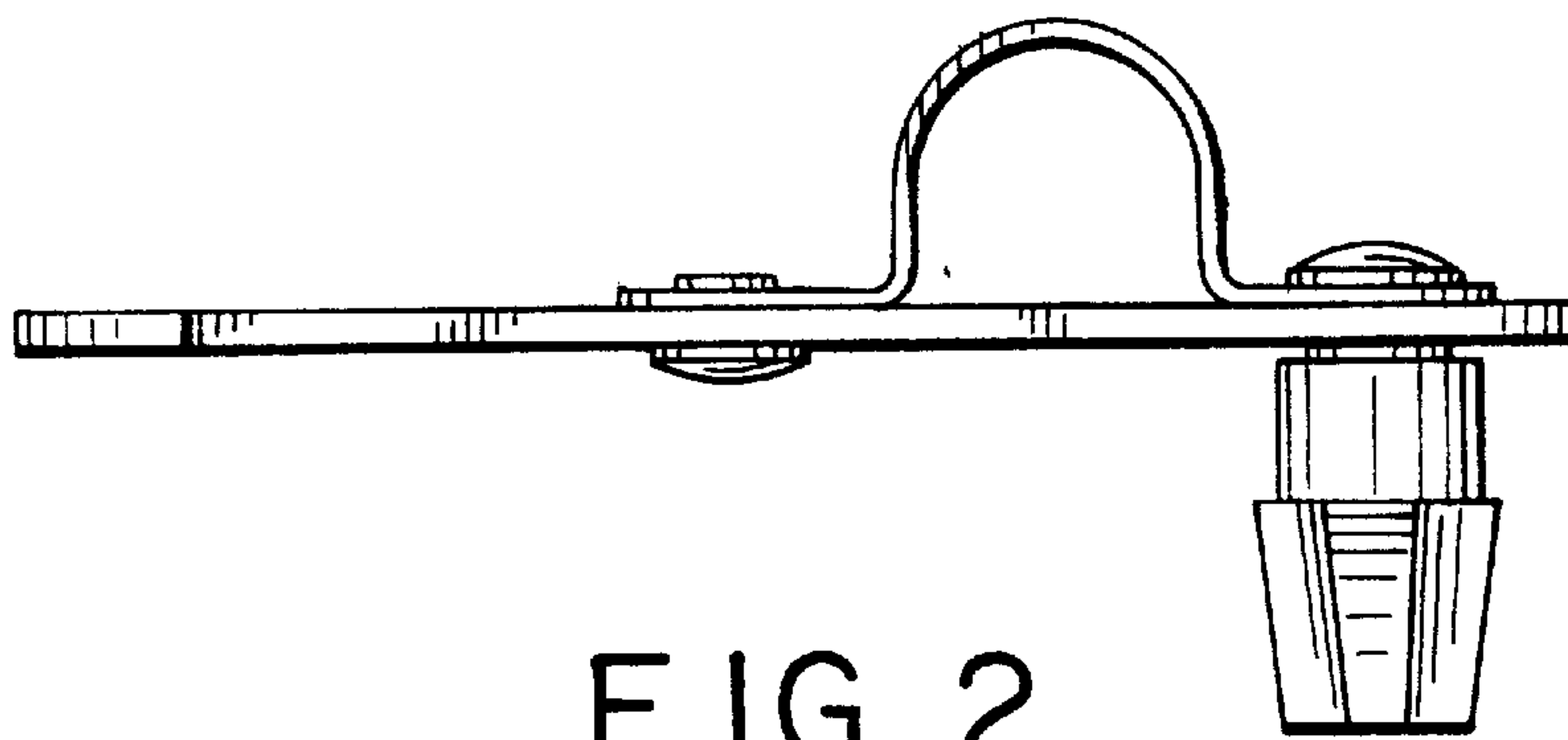


FIG. 2

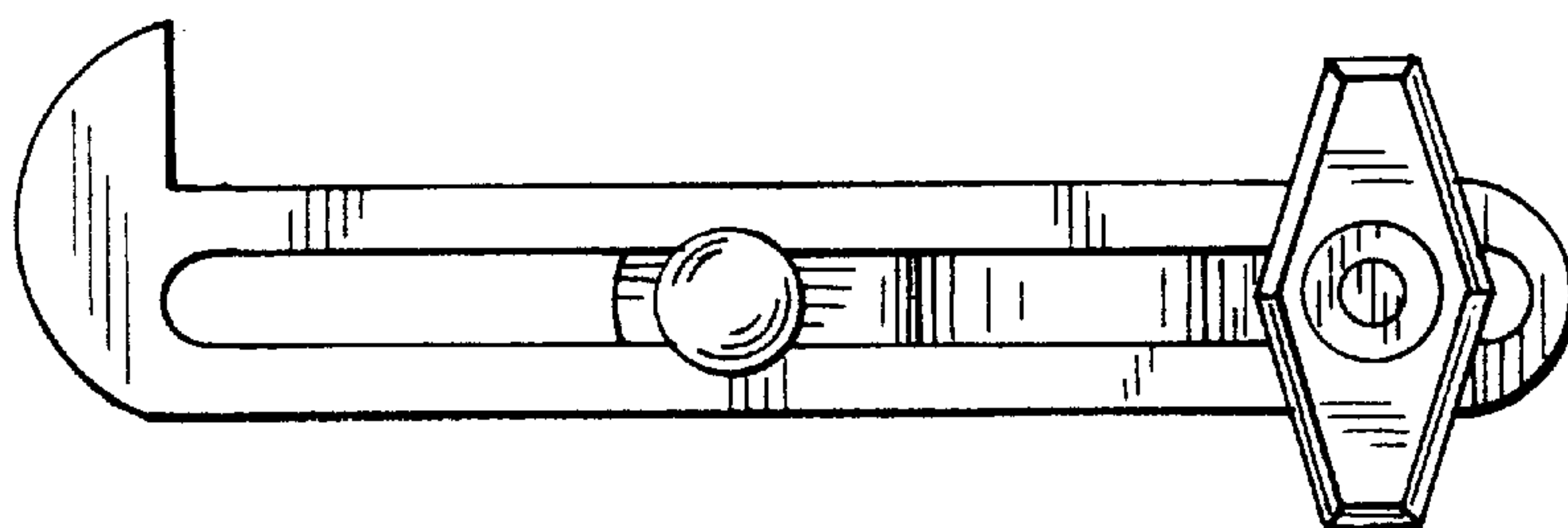


FIG. 3

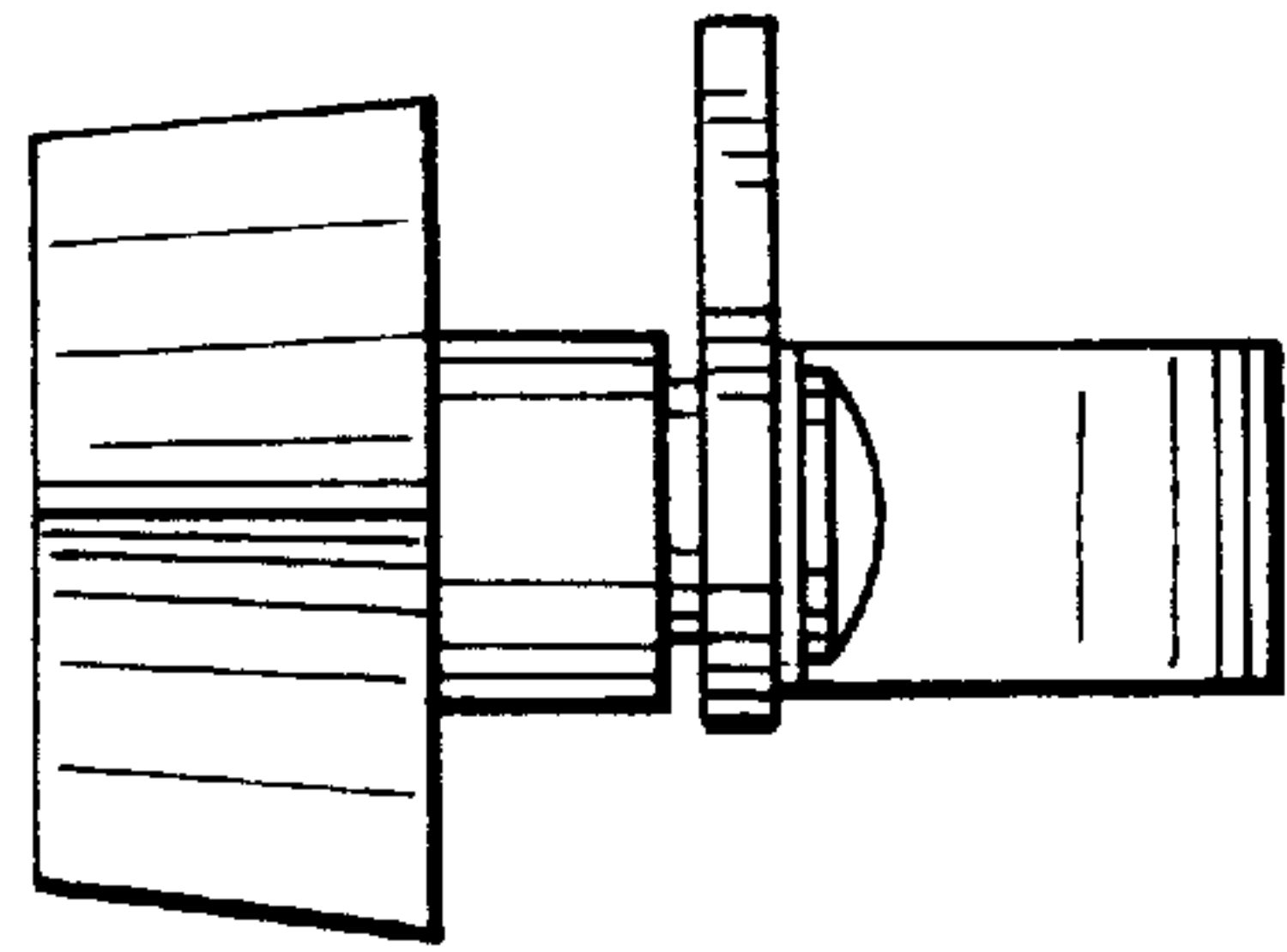


FIG. 4

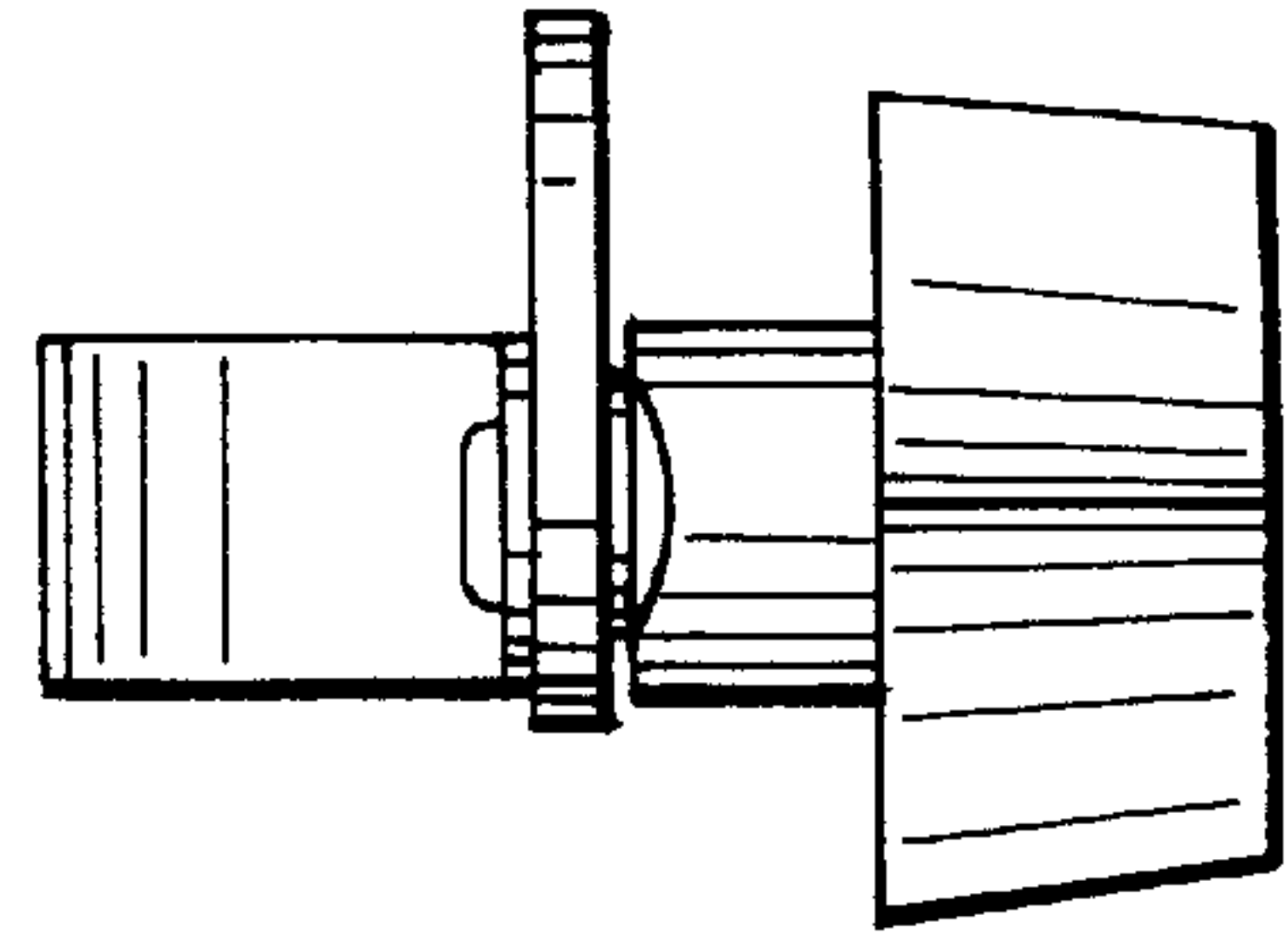


FIG. 5

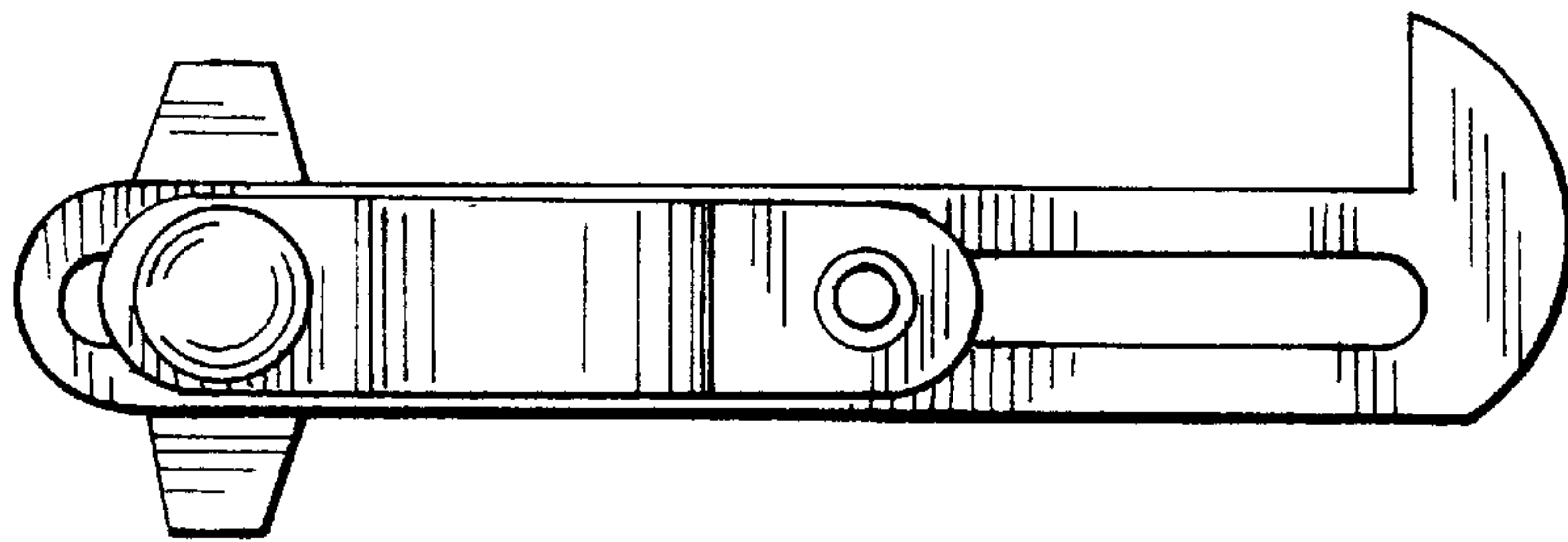


FIG. 6

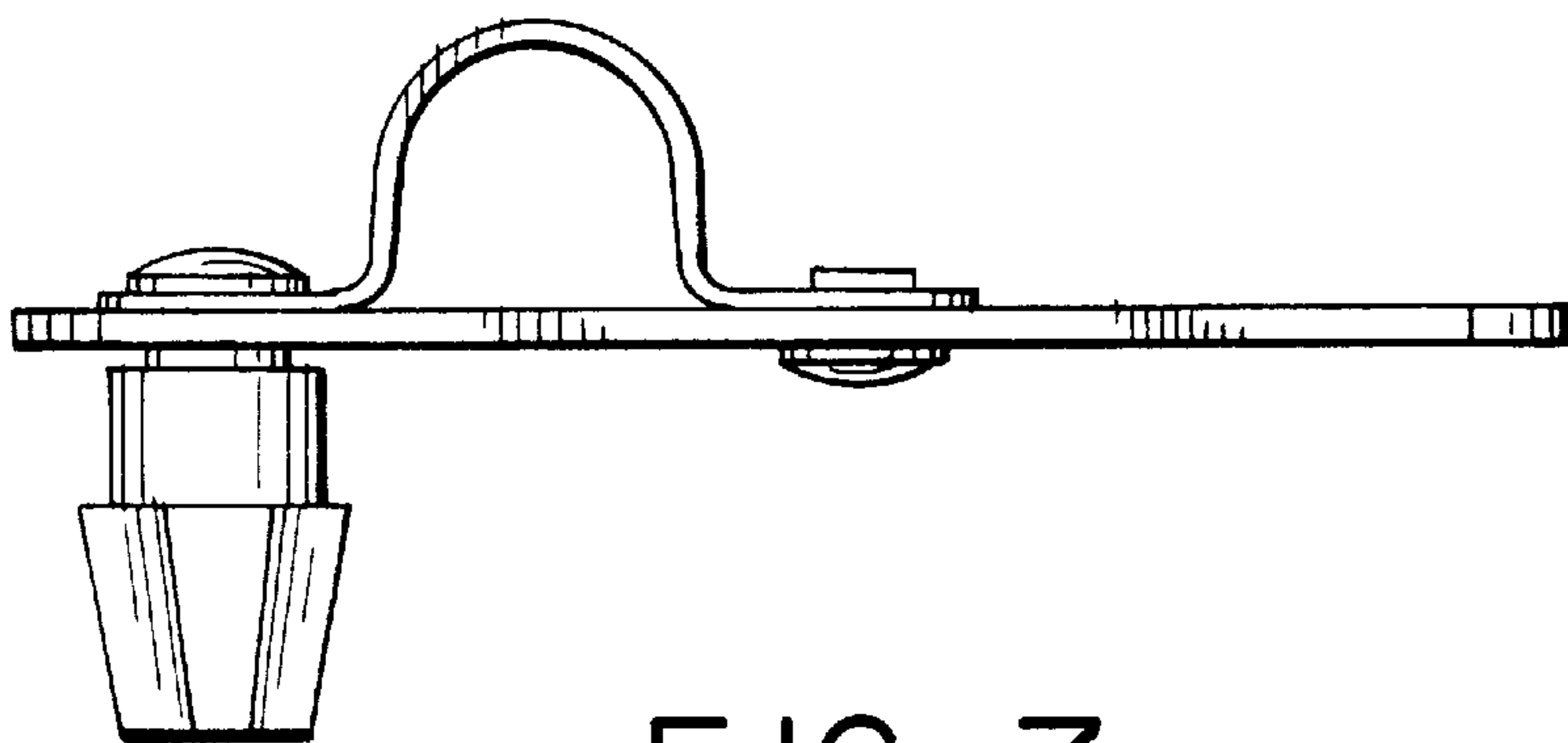


FIG. 7