



US00D407112S

**United States Patent** [19]  
**Chin et al.**

[11] **Patent Number: Des. 407,112**  
[45] **Date of Patent: \*\*Mar. 23, 1999**

[54] **SOLID INK STICK FOR A COLOR PRINTER**

[75] Inventors: **Henry Y. Chin**, Portland, Oreg.;  
**Penelope C. Yao**, Evanston, Ill.; **David L. Brown**, Milwaukie, Oreg.

[73] Assignee: **Textronix, Inc.**, Wilsonville, Oreg.

[\*\*] Term: **14 Years**

[21] Appl. No.: **82,468**

[22] Filed: **Jan. 22, 1998**

**Related U.S. Application Data**

[62] Division of Ser. No. 67,474, Mar. 10, 1997.

[51] **LOC (6) Cl.** ..... **18-02**

[52] **U.S. Cl.** ..... **D18/56**

[58] **Field of Search** ..... D18/43, 56; 347/86-88,  
347/43, 99, 23, 33; 106/272, 31.31, 31.62,  
31.63, 31.13, 31.29, 31.61

[56] **References Cited**

**U.S. PATENT DOCUMENTS**

- D. 212,542 10/1968 McCarthy .
- D. 300,673 4/1989 Rhoa et al. .
- D. 310,130 8/1990 van Kooten .
- D. 335,683 5/1993 Smith .
- D. 346,821 5/1994 Smith .
- D. 371,801 7/1996 Jones et al. .
- D. 371,802 7/1996 Jones et al. .
- D. 372,268 7/1996 Jones et al. .
- D. 372,270 7/1996 Jones et al. .
- D. 373,139 8/1996 Jones et al. .
- D. 380,771 7/1997 Jones ..... D18/56

- D. 383,153 9/1997 Jones et al. .
- D. 383,154 9/1997 Jones et al. .
- 4,823,146 4/1989 Cooke et al. .
- 4,851,045 7/1989 Taniguchi ..... 106/31.31
- 5,223,860 6/1993 Loofbourow et al. .
- 5,510,821 4/1996 Jones et al. .
- 5,624,483 4/1997 Fujioka ..... 106/31.29
- 5,734,402 3/1998 Rousseau ..... 347/88

**FOREIGN PATENT DOCUMENTS**

564742A2 12/1992 European Pat. Off. .

**OTHER PUBLICATIONS**

Copy of Specification and Drawings of Parent Application  
Serial No. 29/067,474.

*Primary Examiner*—Cathy Anne MacCormac  
*Attorney, Agent, or Firm*—Ralph D'Alessandro

[57] **CLAIM**

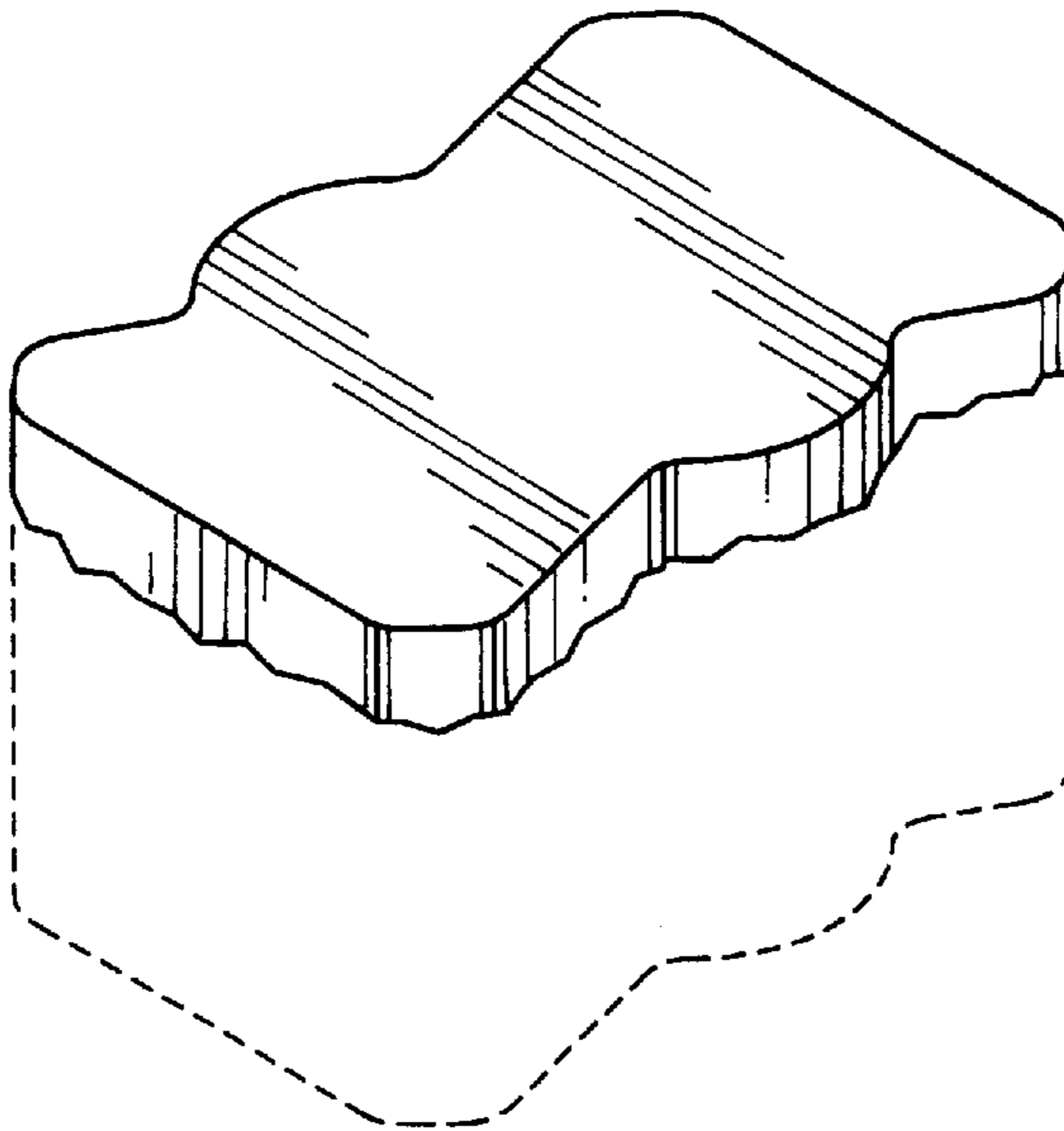
The ornamental design for a solid ink stick for a color printer, as shown and described.

**DESCRIPTION**

FIG. 1 is a perspective view as a solid ink stick for a color printer showing the top surface and the contour of the side surfaces of our new design;  
FIG. 2 is a top plan view thereof;  
FIG. 3 is a side elevational view thereof, the opposite side being identical; and,  
FIG. 4 is an end elevational view thereof, the opposite side being identical.

The broken line portions of FIGS. 1, 3 and 4 are for purposes of illustration only and form no part of the claimed design;

**1 Claim, 1 Drawing Sheet**



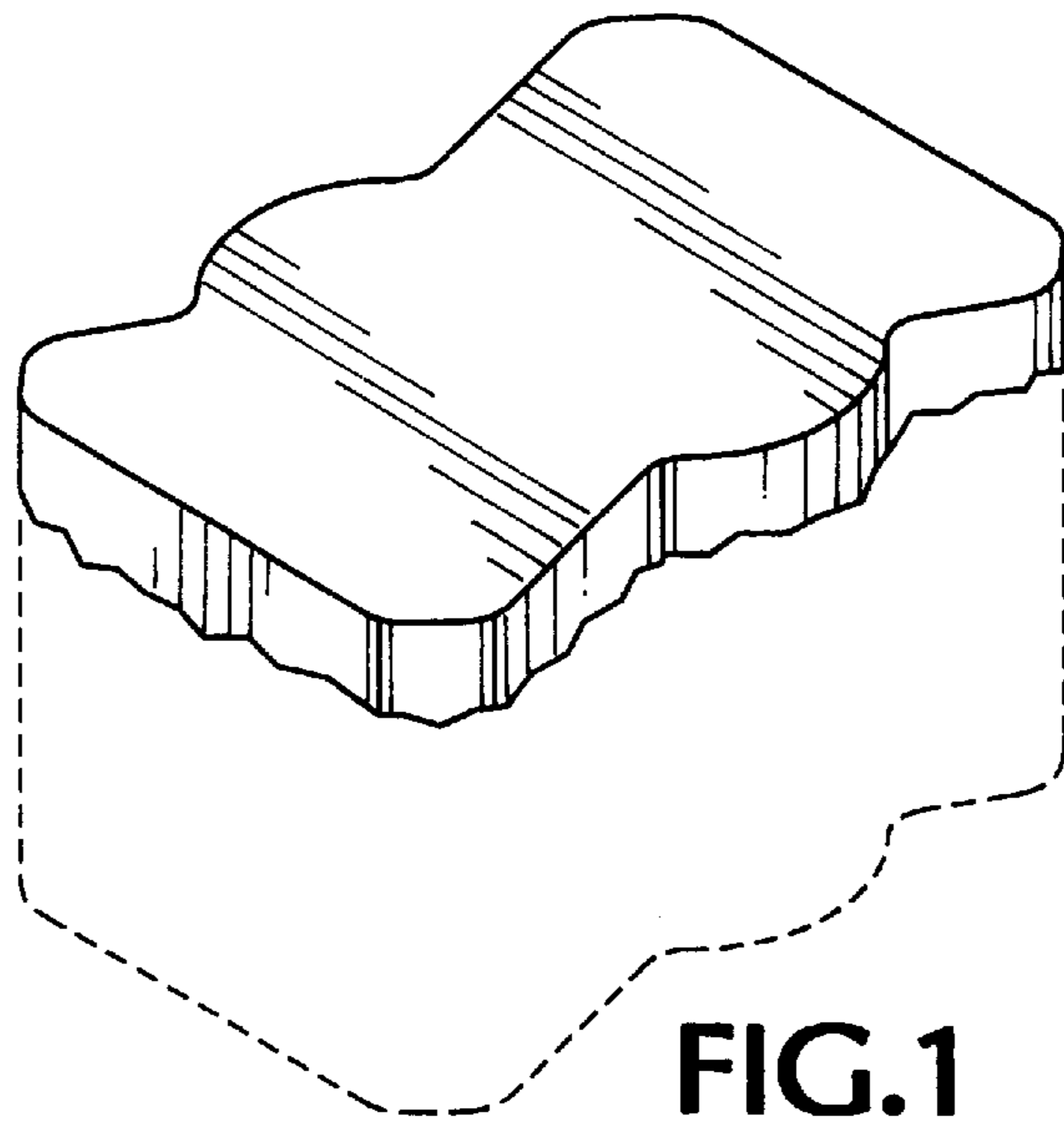


FIG. 1

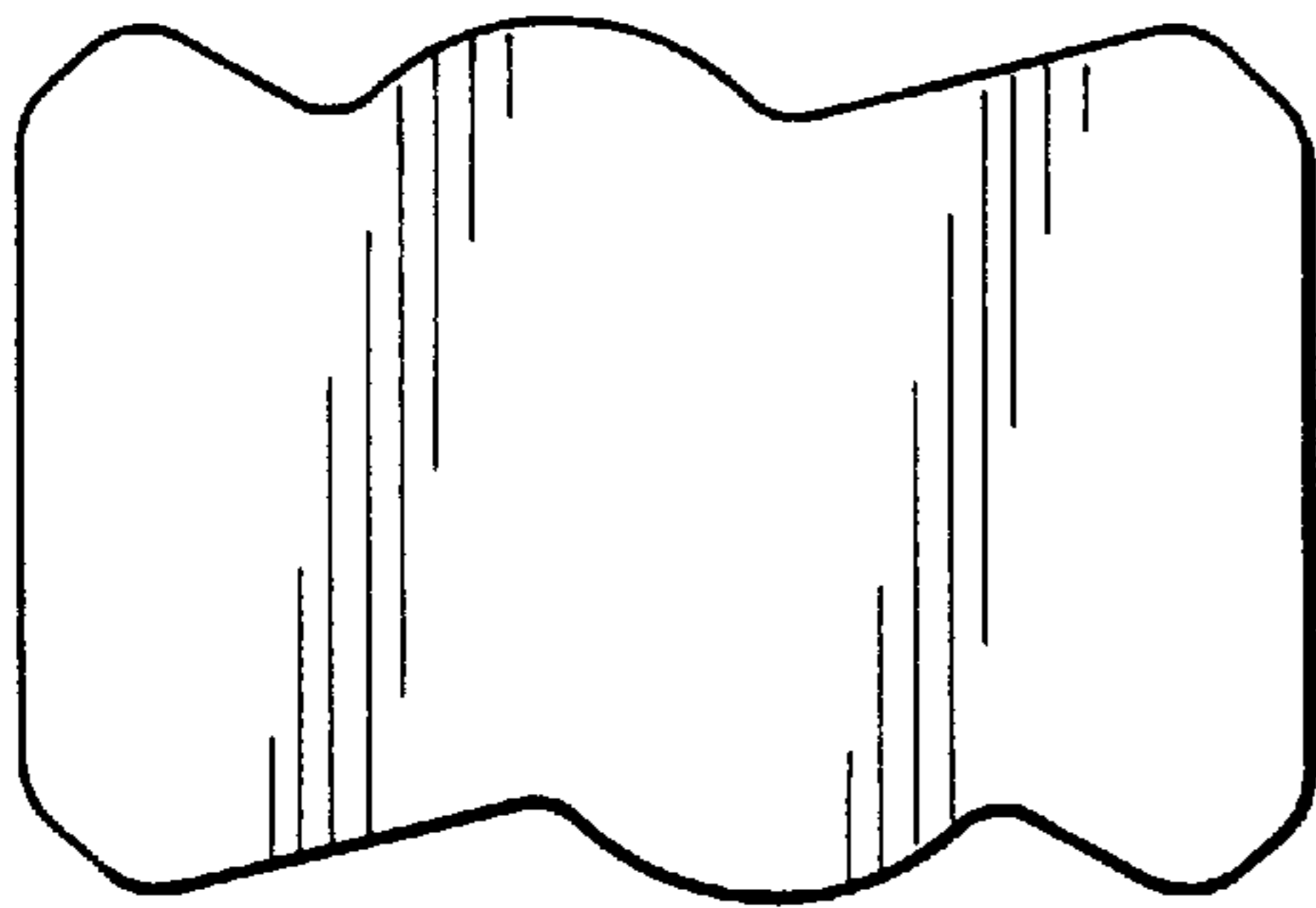


FIG. 2

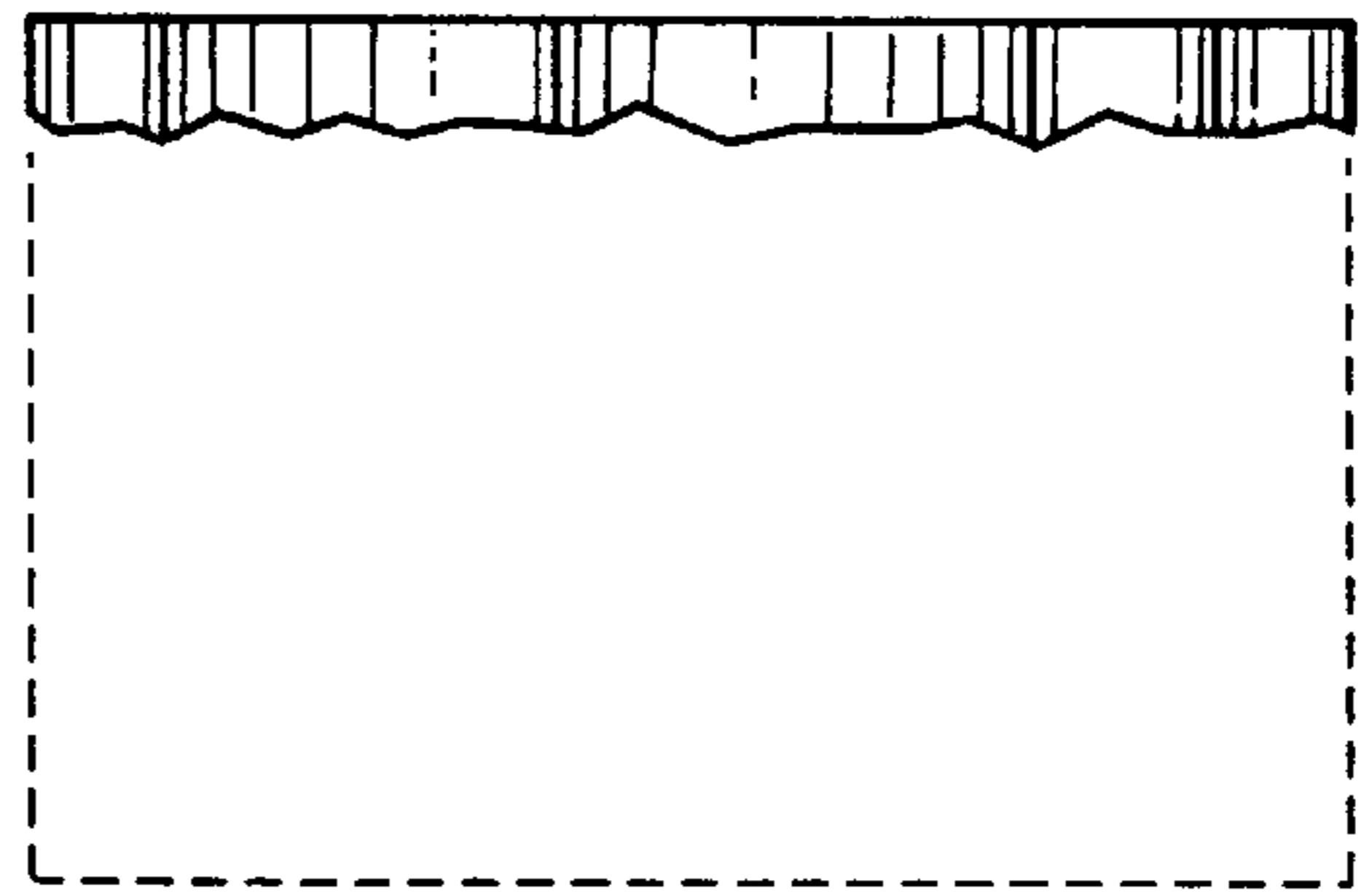


FIG. 3

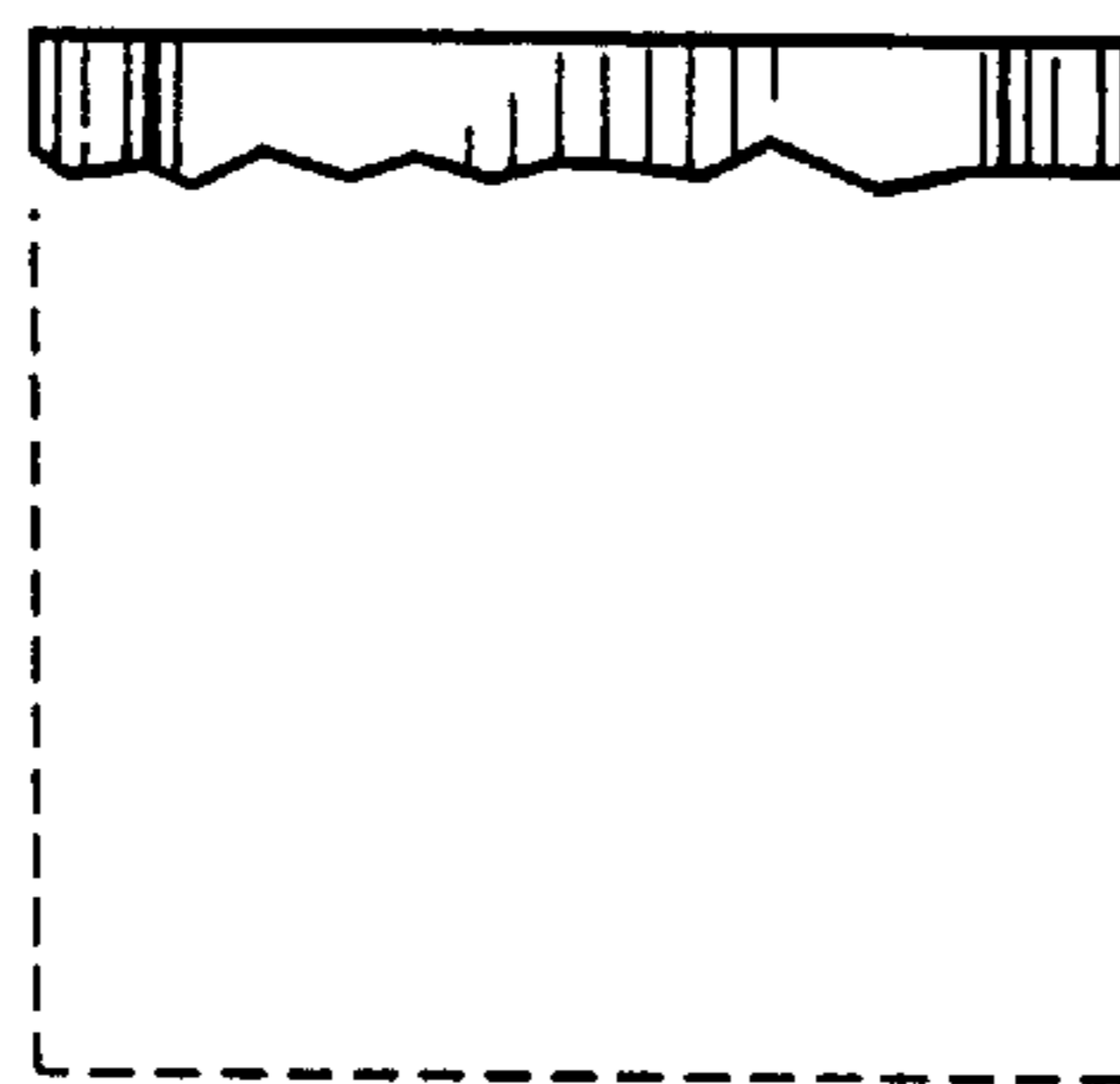


FIG. 4