



US00D407111S

# United States Patent [19]

Brown et al.

[11] Patent Number: Des. 407,111

[45] Date of Patent: \*\*Mar. 23, 1999

[54] SOLID INK STICK FOR A COLOR PRINTER

[75] Inventors: David L. Brown, Milwaukie; Henry Y. Chin, Portland, both of Oreg.; Penelope C. Yao, Evanston, Ill.

[73] Assignee: Tektronix, Inc., Wilsonville, Oreg.

[\*\*] Term: 14 Years

[21] Appl. No.: 82,439

[22] Filed: Jan. 22, 1998

### Related U.S. Application Data

[62] Division of Ser. No. 67,478, Mar. 10, 1997.

[51] LOC (6) Cl. .... 18-02

[52] U.S. Cl. .... D18/56

[58] Field of Search ..... D18/43, 56; 347/32, 347/33, 43, 99, 86-88; 106/270, 31.31, 31.62, 31.63, 31.29, 31.61, 31.13

### References Cited

#### U.S. PATENT DOCUMENTS

- D. 212,542 10/1968 McCarthy .
- D. 300,673 4/1989 Rhoa et al. .
- D. 310,130 8/1990 van Kooten .
- D. 335,683 5/1993 Smith .
- D. 346,821 5/1994 Smith .
- D. 371,801 7/1996 Jones et al. .
- D. 371,802 7/1996 Jones et al. .
- D. 372,268 7/1996 Jones et al. .
- D. 372,270 7/1996 Jones et al. .
- D. 373,139 8/1996 Jones et al. .
- D. 380,771 7/1997 Jones ..... D18/56

- D. 383,153 9/1997 Jones et al. .
- D. 383,154 9/1997 Jones et al. .
- 4,823,146 4/1989 Cooke et al. .
- 4,851,045 7/1989 Taniguchi ..... 106/31.31
- 5,223,860 6/1993 Loofourow et al. .
- 5,510,821 4/1996 Jones et al. .
- 5,624,483 4/1997 Fujioka ..... 106/31.29
- 5,734,402 3/1998 Rousseau ..... 347/88

#### FOREIGN PATENT DOCUMENTS

564742A2 12/1992 European Pat. Off. .

#### OTHER PUBLICATIONS

Copy of Specification and Drawings of Parent Application Serial No. 29/067,478.

Primary Examiner—Cathy Anne MacCormac  
Attorney, Agent, or Firm—Ralph D'Alessandro

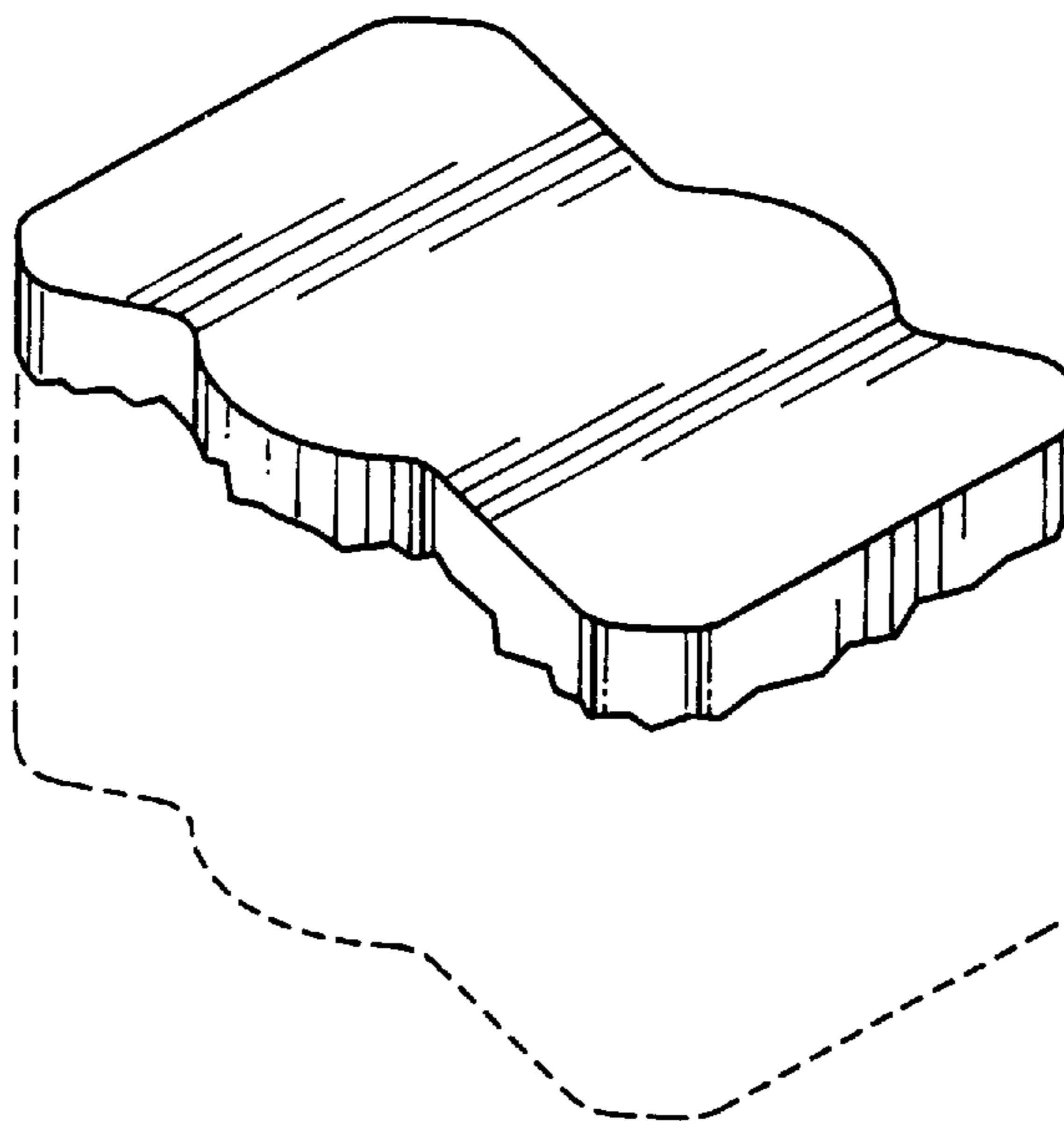
#### [57] CLAIM

The ornamental design for a solid ink stick for a color printer, as shown and described.

#### DESCRIPTION

FIG. 1 is a perspective view of a solid ink stick for a color printer showing the top surface and the contour of the side surfaces of our new design;  
 FIG. 2 is a top plan view thereof;  
 FIG. 3 is a side elevational view thereof, the opposite side being identical; and,  
 FIG. 4 is an end elevational view thereof, the opposite end being identical.  
 The broken line portions of FIGS. 1, 3 and 4 are for purposes of illustration only and form no part of the claimed design.

1 Claim, 1 Drawing Sheet



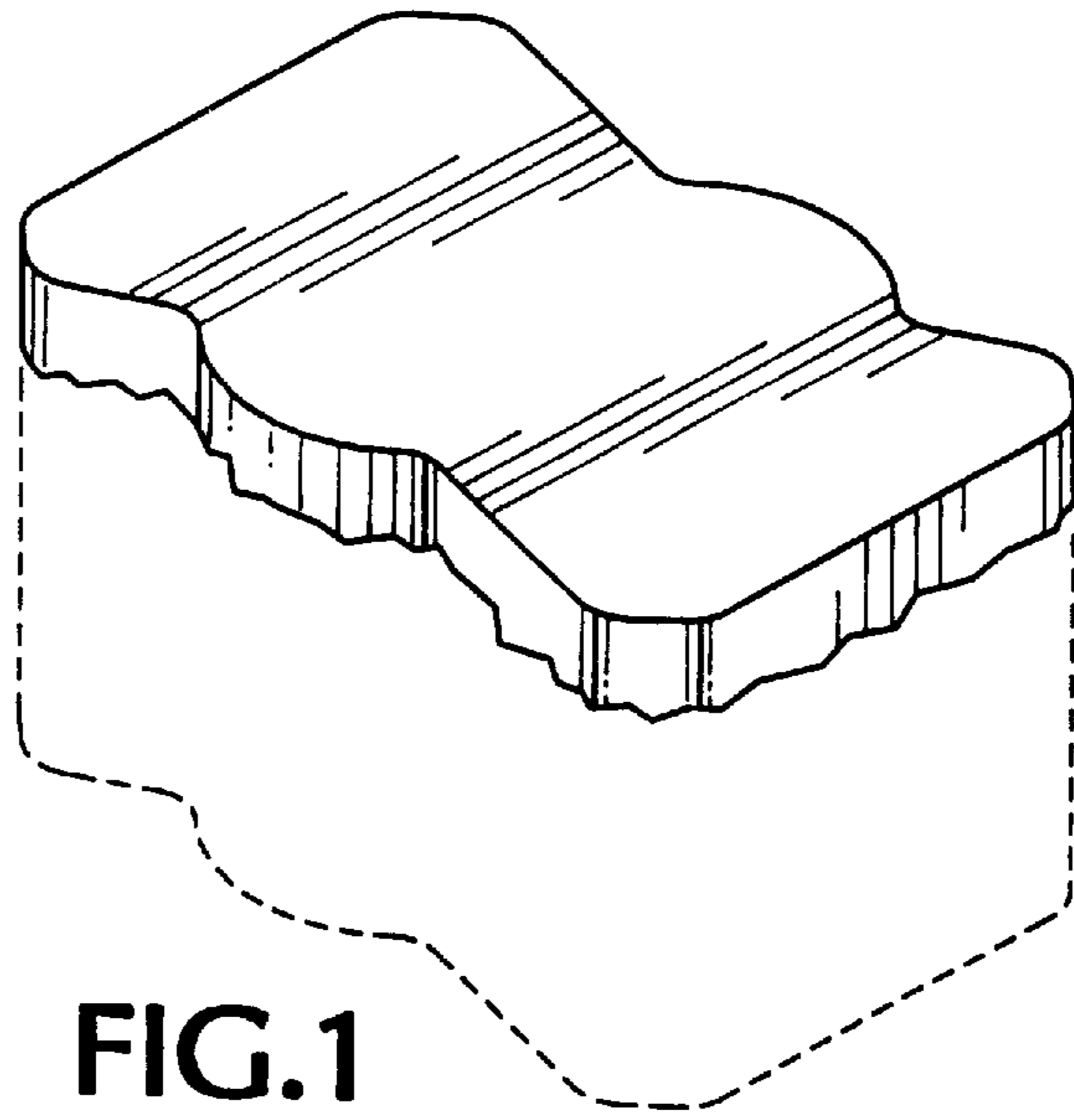


FIG. 1

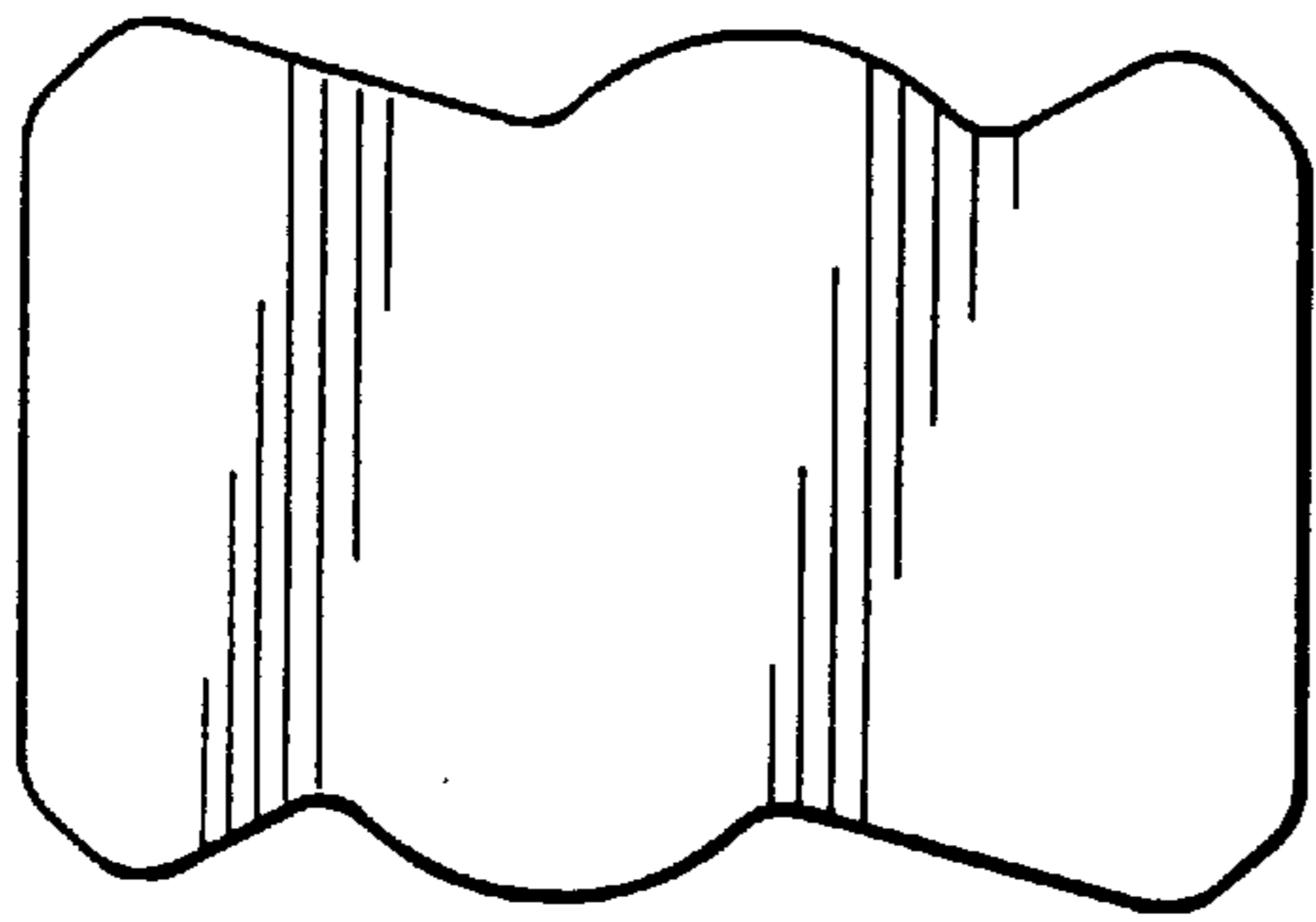


FIG. 2

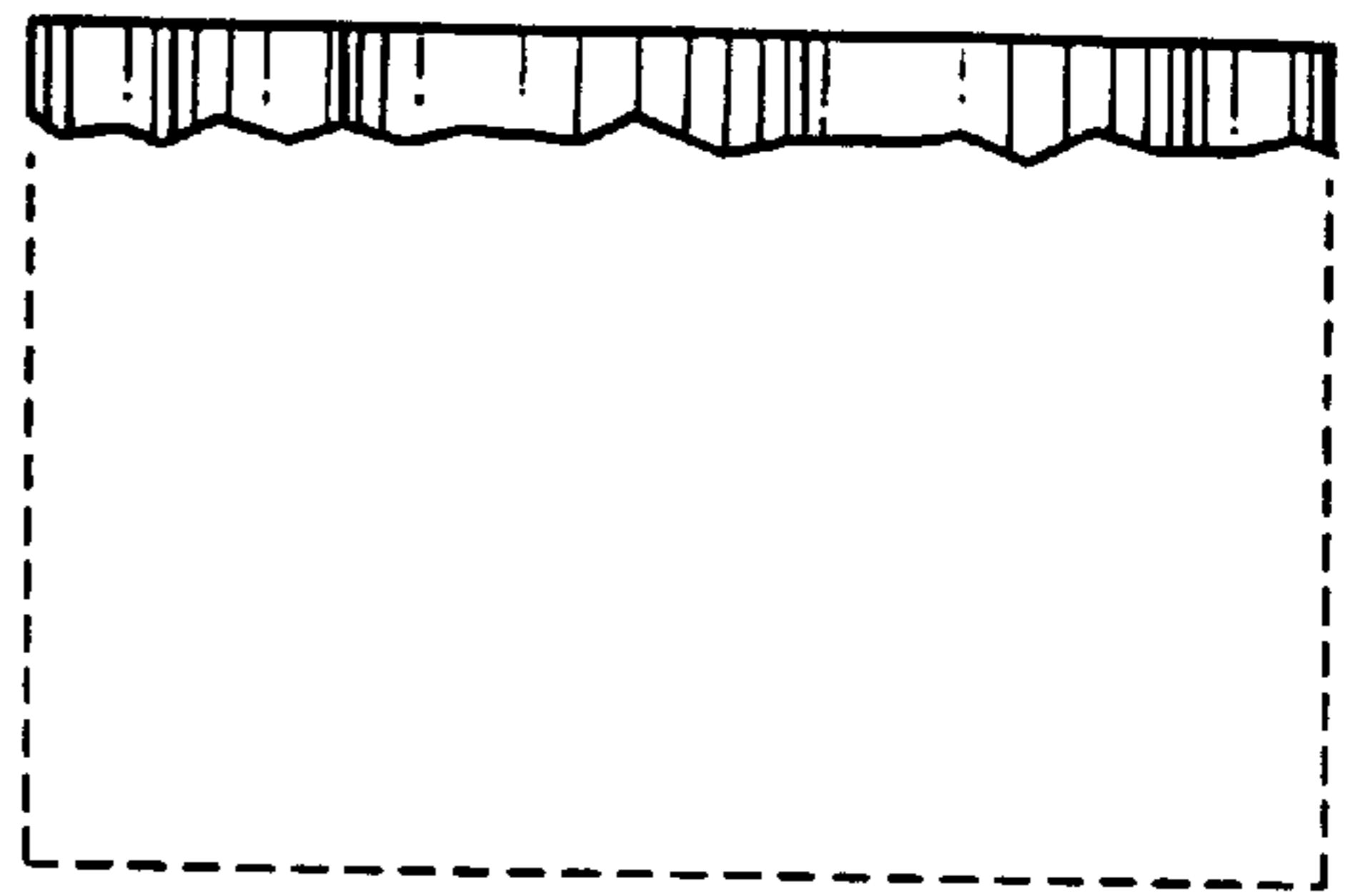


FIG. 3

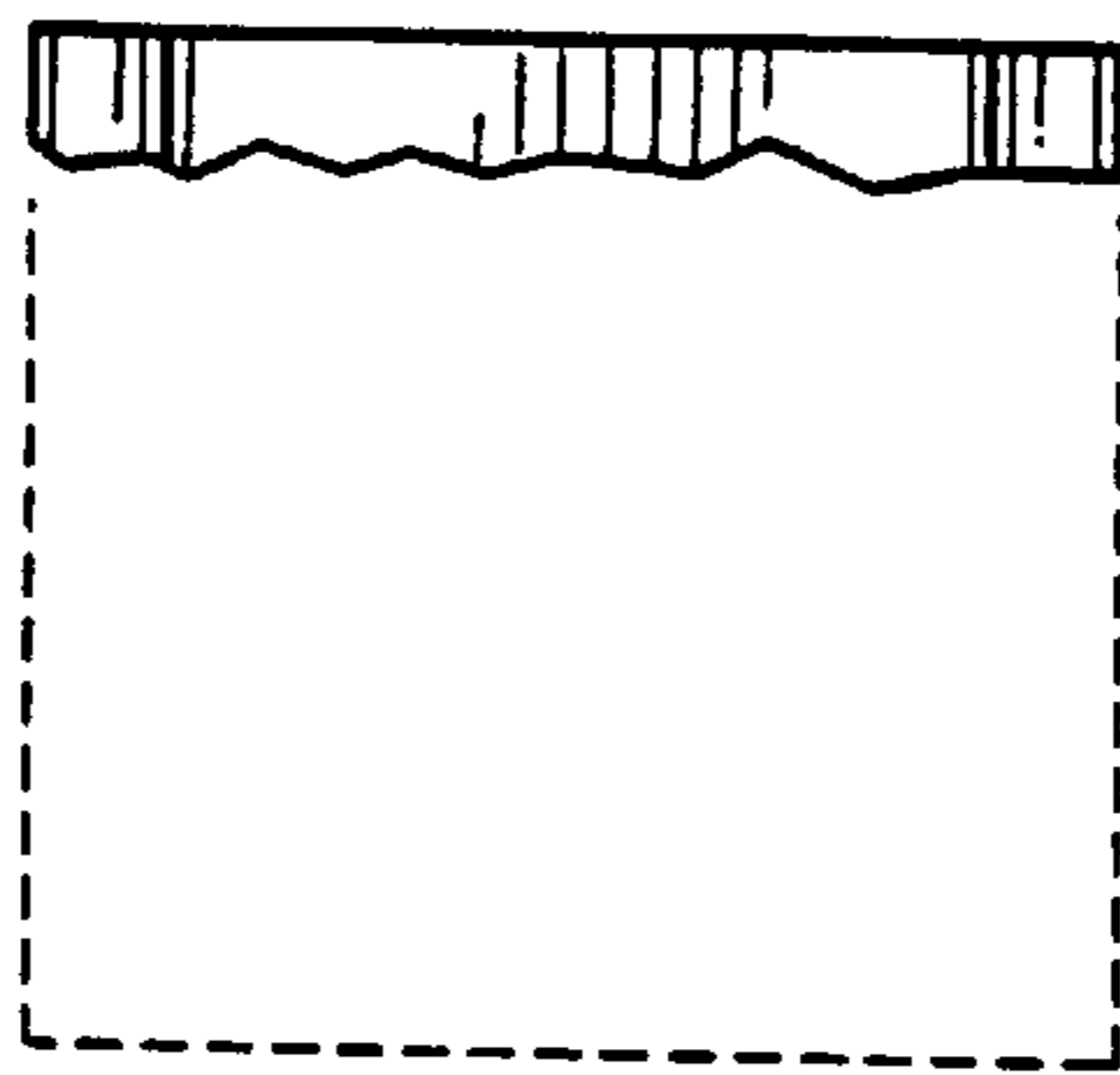


FIG. 4