



US00D407100S

United States Patent [19]
Marcinkiewicz

[11] **Patent Number: Des. 407,100**

[45] **Date of Patent: **Mar. 23, 1999**

[54] **TRUMPET**

D. 114,960 5/1939 Nielsen D17/10
736,756 8/1903 Martin 84/394

[76] Inventor: **Joseph W. Marcinkiewicz**, P.O. Box
544, Beavercreek, Oreg. 97004

Primary Examiner—Philip S. Hyder
Assistant Examiner—Adir Aronovich
Attorney, Agent, or Firm—Eugene H. Valet

[**] Term: **14 Years**

[21] Appl. No.: **72,816**

[57] **CLAIM**

[22] Filed: **Jun. 25, 1997**

The ornamental design for a trumpet, as shown and described.

[51] **LOC (6) Cl.** **17-02**

DESCRIPTION

[52] **U.S. Cl.** **D17/11**

[58] **Field of Search** D17/10, 11, 13;
D21/405, 411; 84/387 R, 388, 389, 392,
394, 393, 398

FIG. 1 is a side elevational view of a trumpet showing my new design;
FIG. 2 is a perspective view of a trumpet as shown in FIG. 1; and,
FIG. 3 is a perspective view of the trumpet from the opposite side of that shown in FIG. 2.

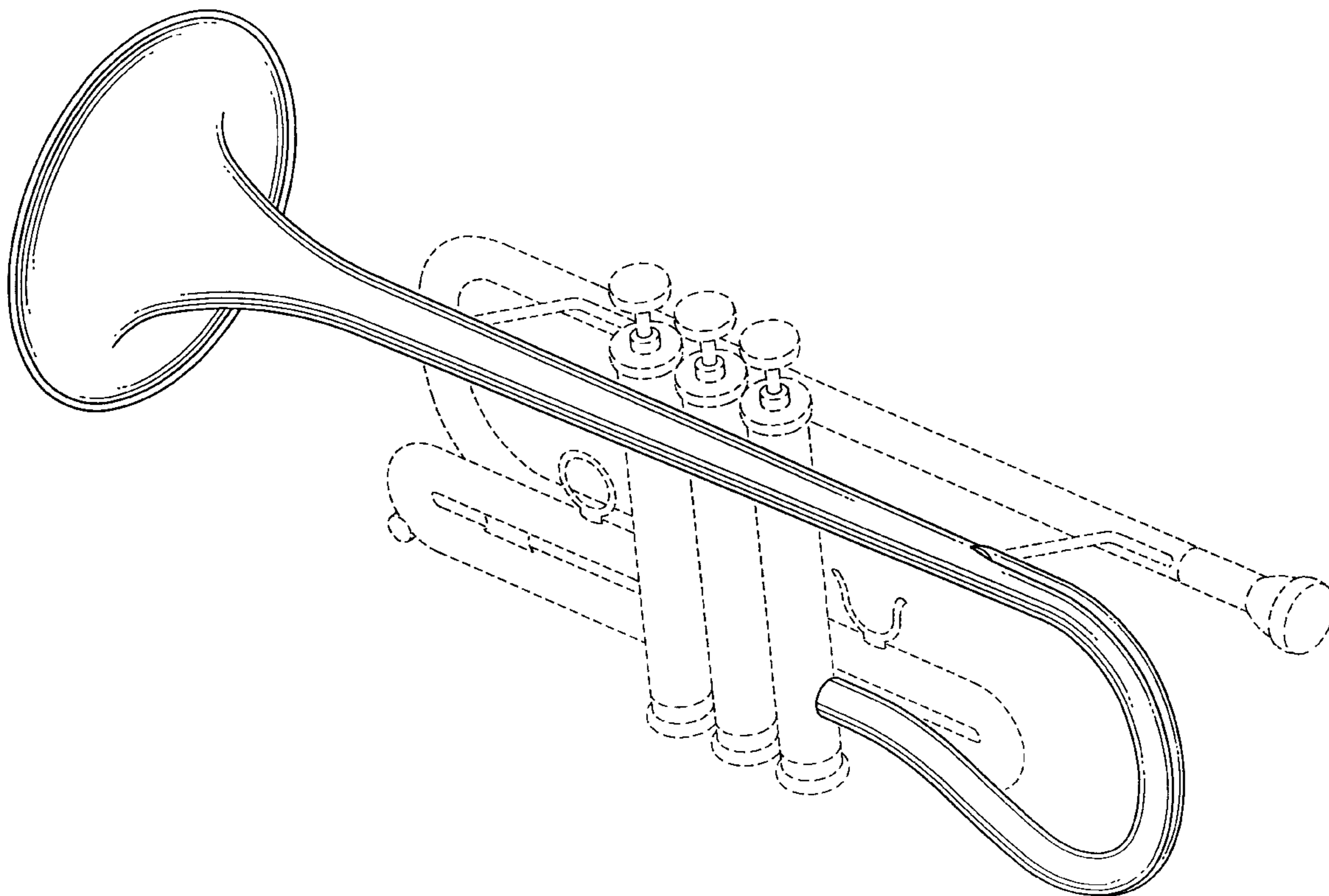
[56] **References Cited**

The broken lines shown in all views are for illustrative purposes only and form no part of the claimed design.

U.S. PATENT DOCUMENTS

19,187 1/1858 Eisenbrandt 84/394
D. 41,613 7/1911 Hurtt D17/11
D. 55,149 5/1920 Cheney D17/13

1 Claim, 3 Drawing Sheets



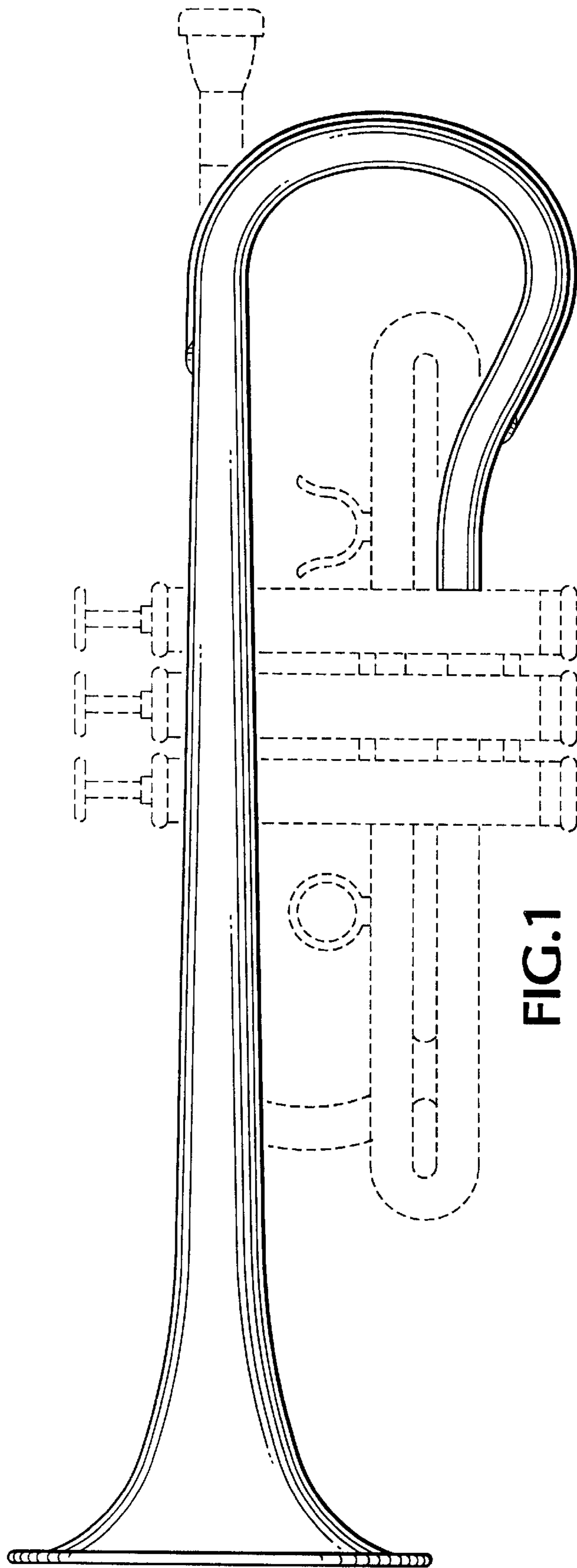


FIG. 1

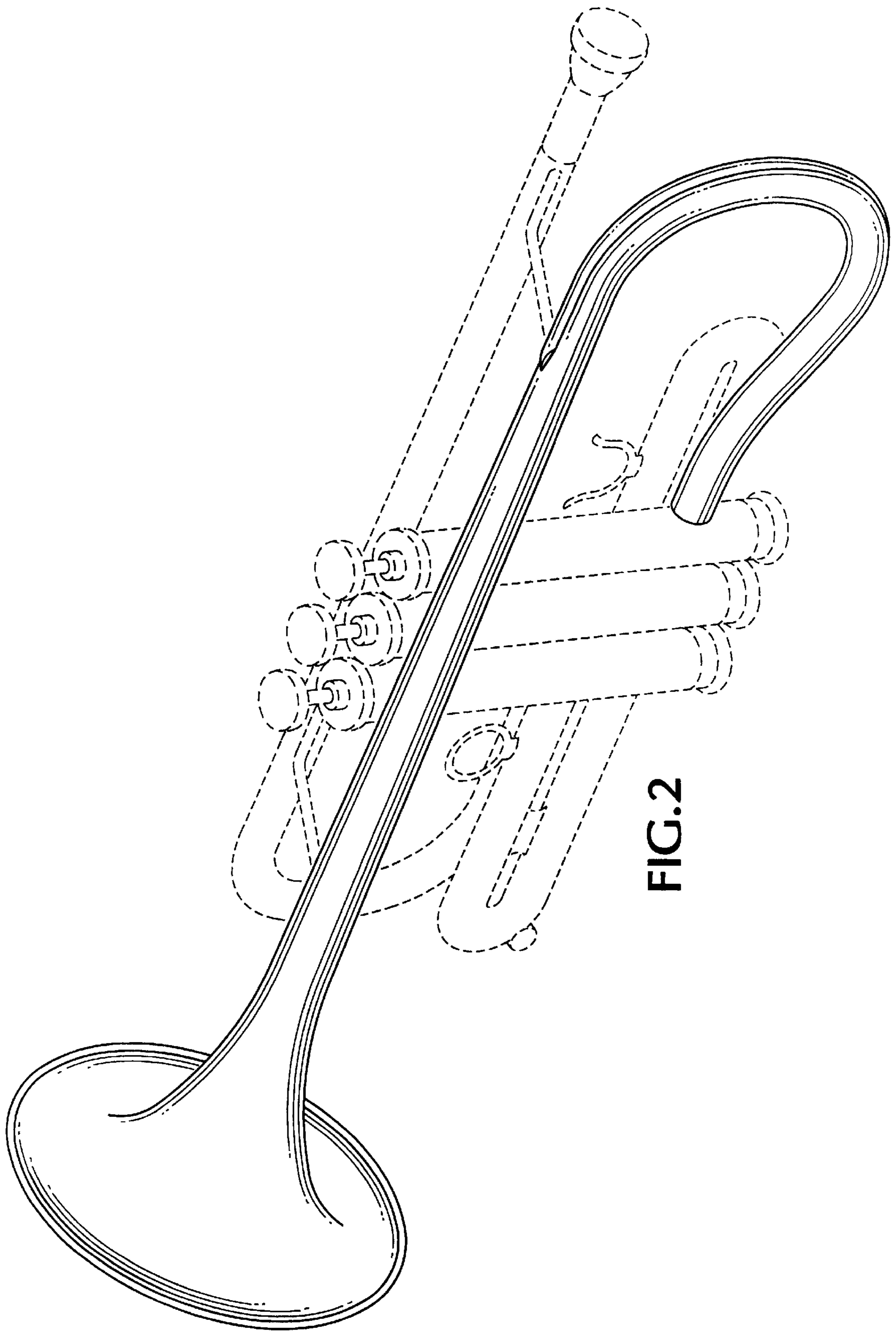


FIG.2

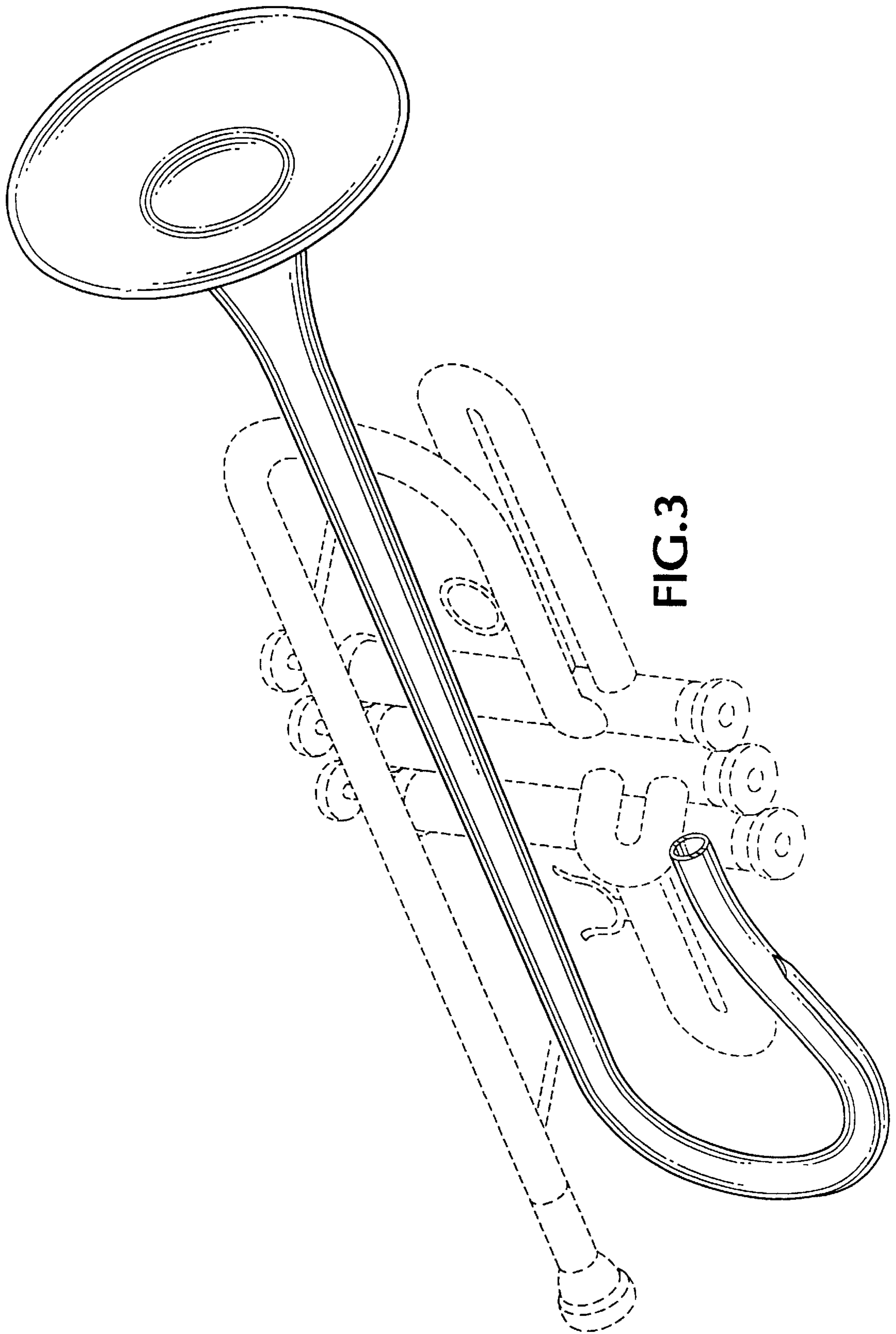


FIG. 3