



US00D407098S

# United States Patent [19]

Goto et al.

[11] **Patent Number: Des. 407,098**

[45] **Date of Patent: \*\*Mar. 23, 1999**

[54] **DIGITAL STILL CAMERA**

[75] Inventors: **Masaaki Goto; Hiroshi Takano**, both of Ehime, Japan

[73] Assignee: **Matsushita Electric Industrial Co.Ltd.**, Japan

[\*\*] Term: **14 Years**

[21] Appl. No.: **86,300**

[22] Filed: **Apr. 9, 1998**

### [30] Foreign Application Priority Data

Oct. 14, 1997 [JP] Japan ..... 9-71499

[51] **LOC (6) Cl.** ..... **16-01**

[52] **U.S. Cl.** ..... **D16/202; D16/200; D16/218**

[58] **Field of Search** ..... **D16/200-205, D16/208, 209, 216-218; 348/373-376; 358/906, 909.1; 396/535-543**

### [56] References Cited

#### U.S. PATENT DOCUMENTS

D. 385,569 10/1997 Takimura ..... D16/202  
D. 387,078 12/1997 Akito ..... D16/202

D. 388,449 12/1997 Ohi et al. .... D16/202  
D. 392,659 3/1998 Takano ..... D16/202  
4,943,822 7/1990 Von Braunhut ..... 396/535

#### OTHER PUBLICATIONS

Panasonic Digital Camera Model No. LK-RQ035ZZ, Catalog issued in Apr. 1998.

*Primary Examiner*—Philip S. Hyder  
*Assistant Examiner*—Adir Aronovich  
*Attorney, Agent, or Firm*—Saidman DesignLaw Group

### [57] CLAIM

The ornamental design for a digital still camera, as shown and described.

### DESCRIPTION

FIG. 1 is a perspective view of the top, front and right side of a digital still camera showing our new design; FIG. 2 is a front view thereof; FIG. 3 is a top plan view thereof; FIG. 4 is a left side view thereof; FIG. 5 is a right side view thereof; FIG. 6 is a rear view thereof; and, FIG. 7 is a bottom view thereof.

**1 Claim, 3 Drawing Sheets**

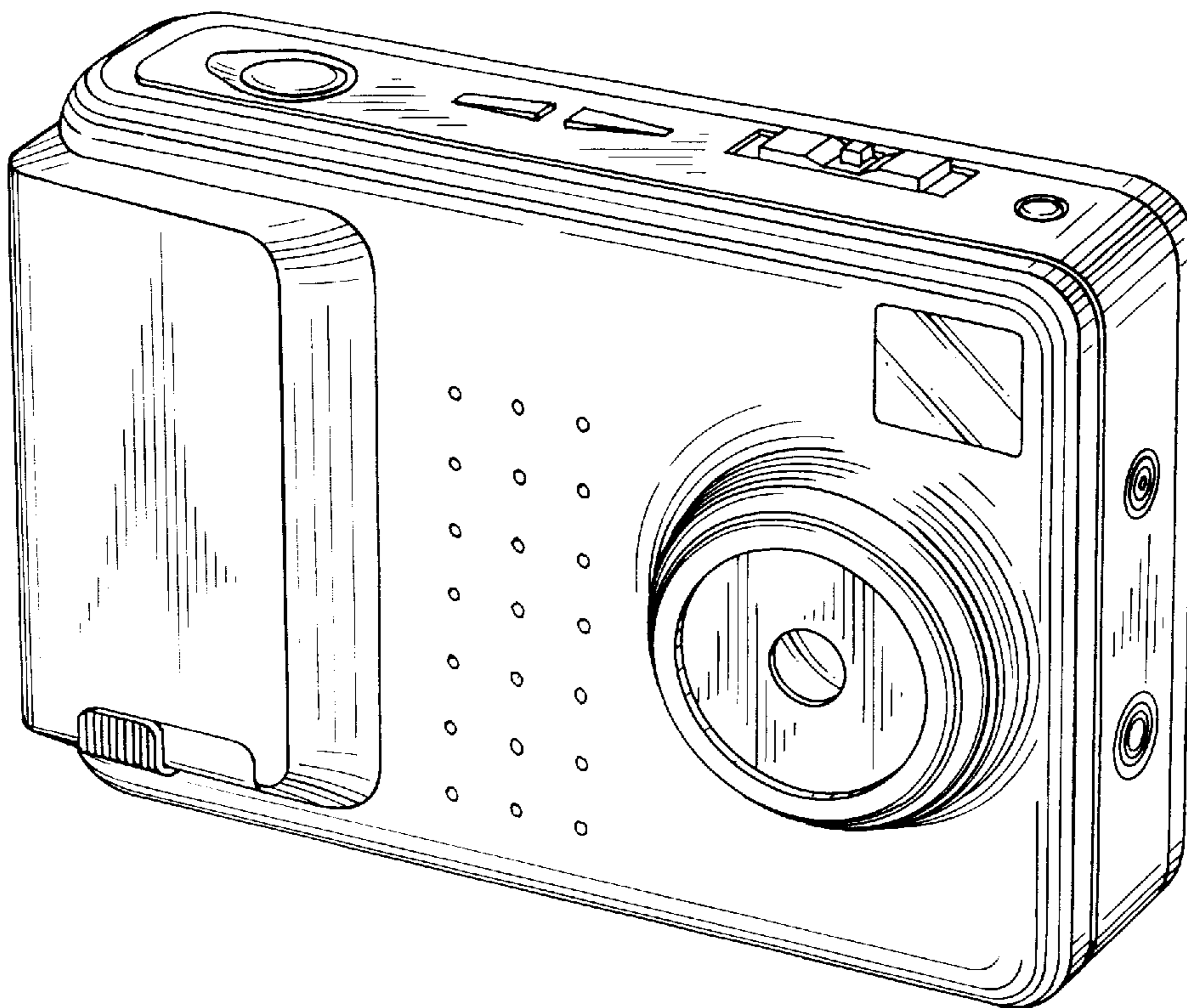


FIG. 1

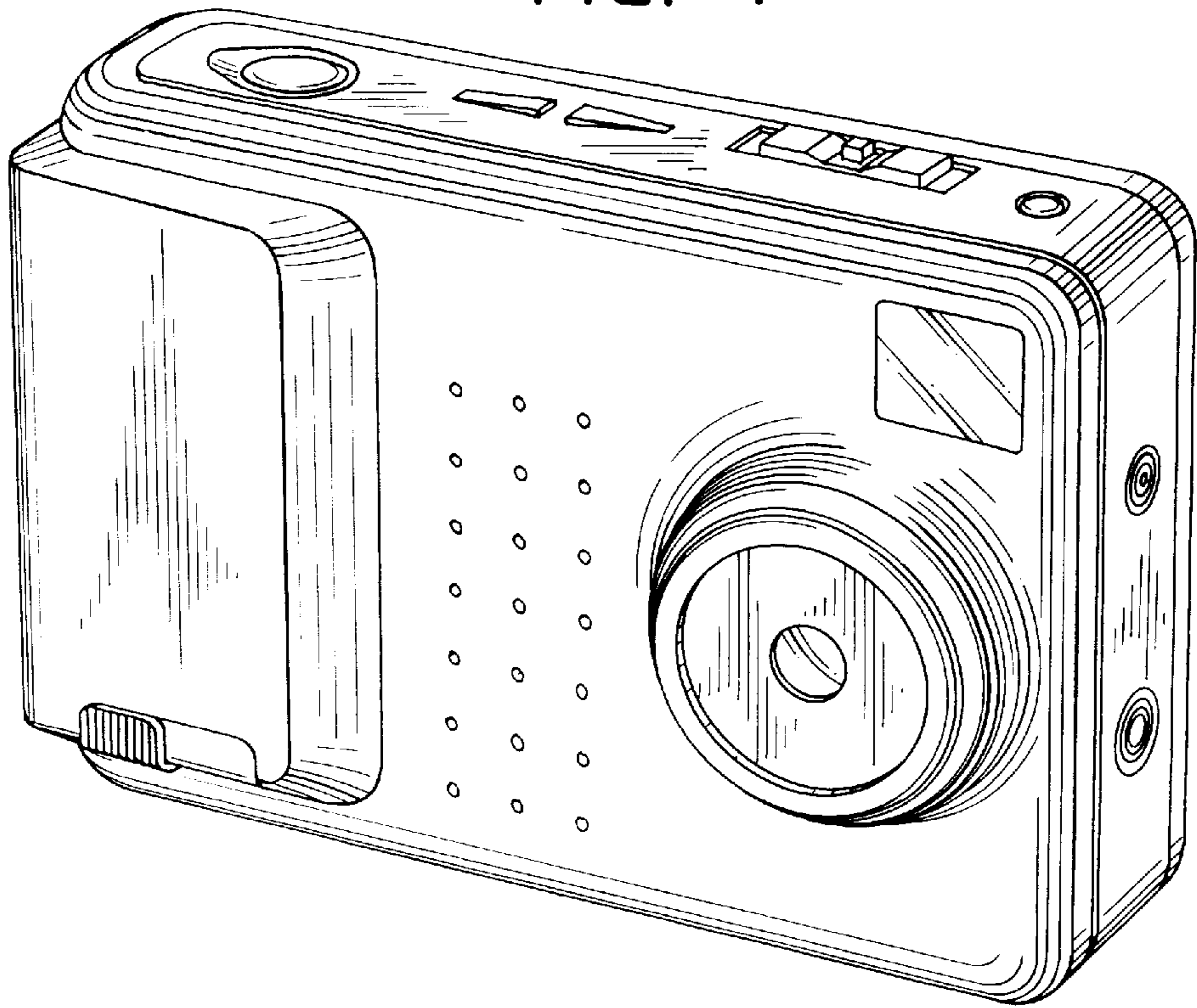
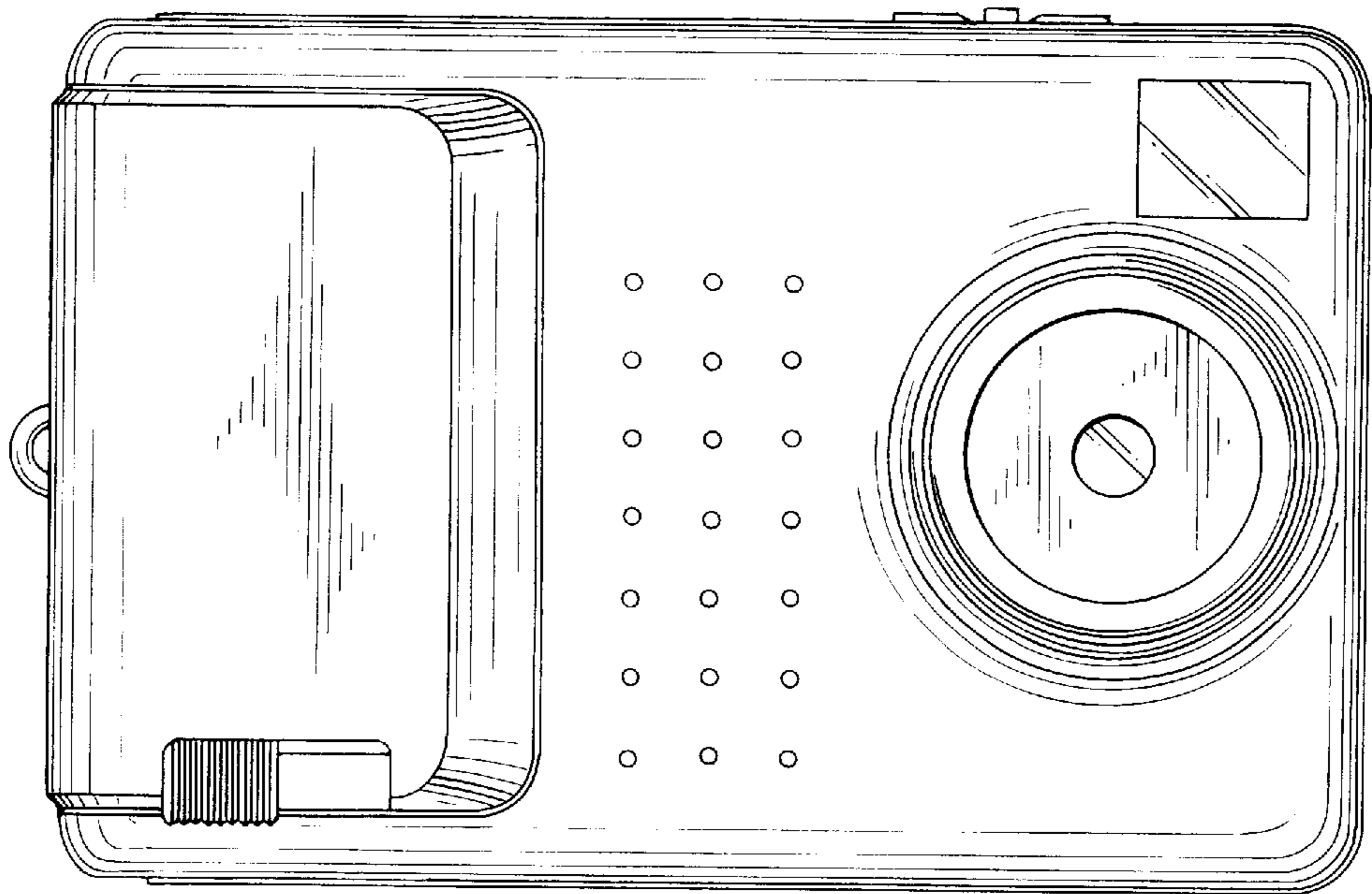
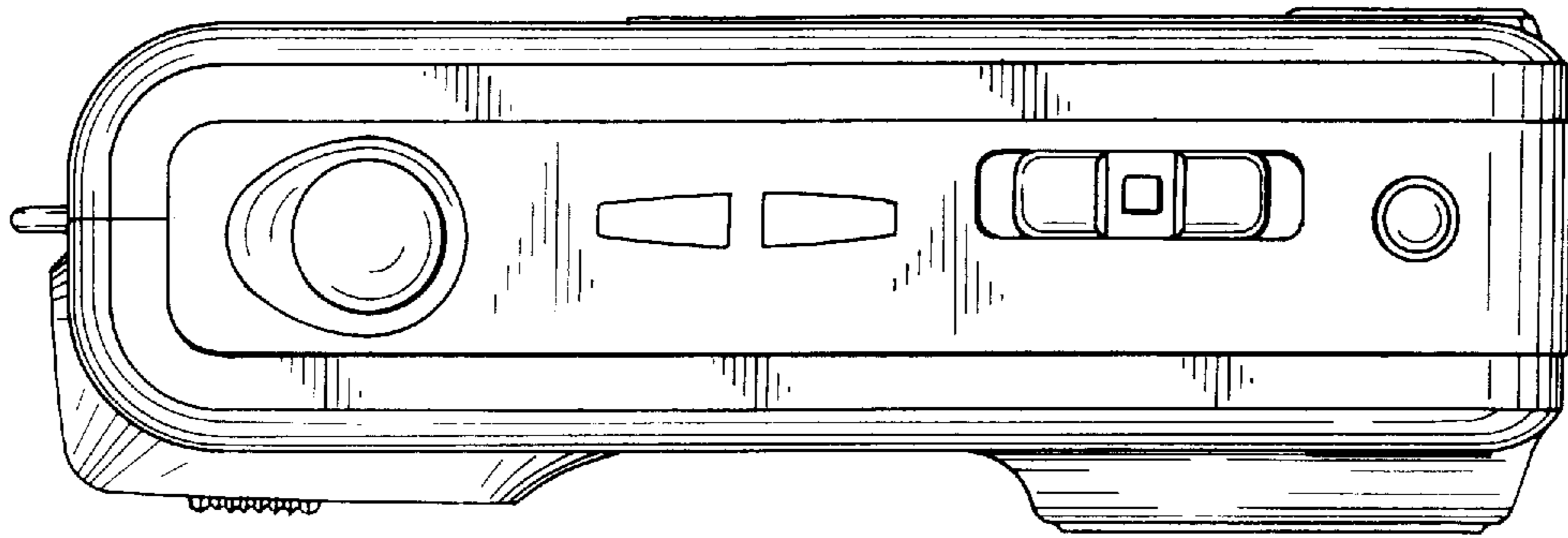


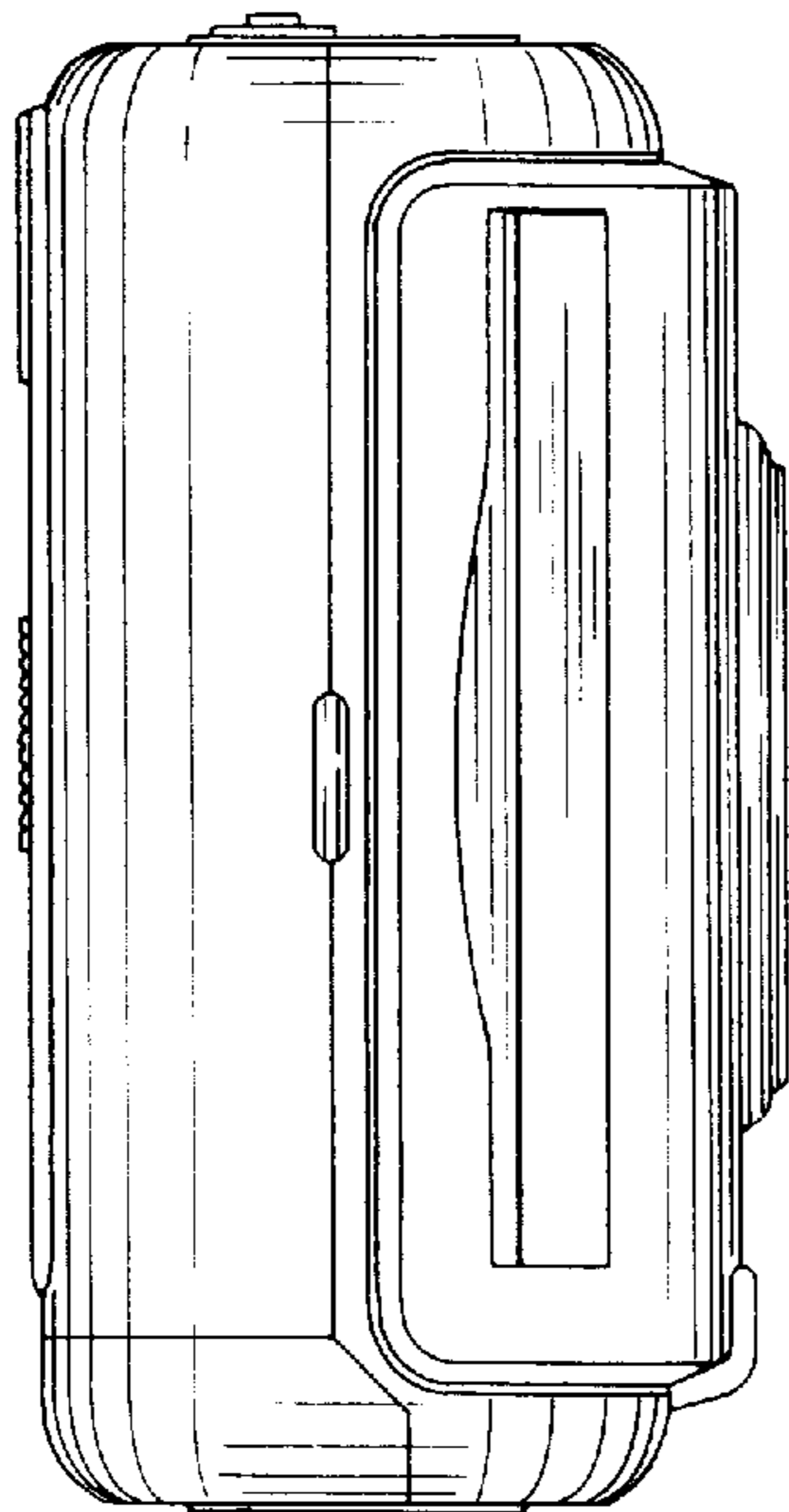
FIG. 2



*FIG. 3*



*FIG. 4*



*FIG. 5*

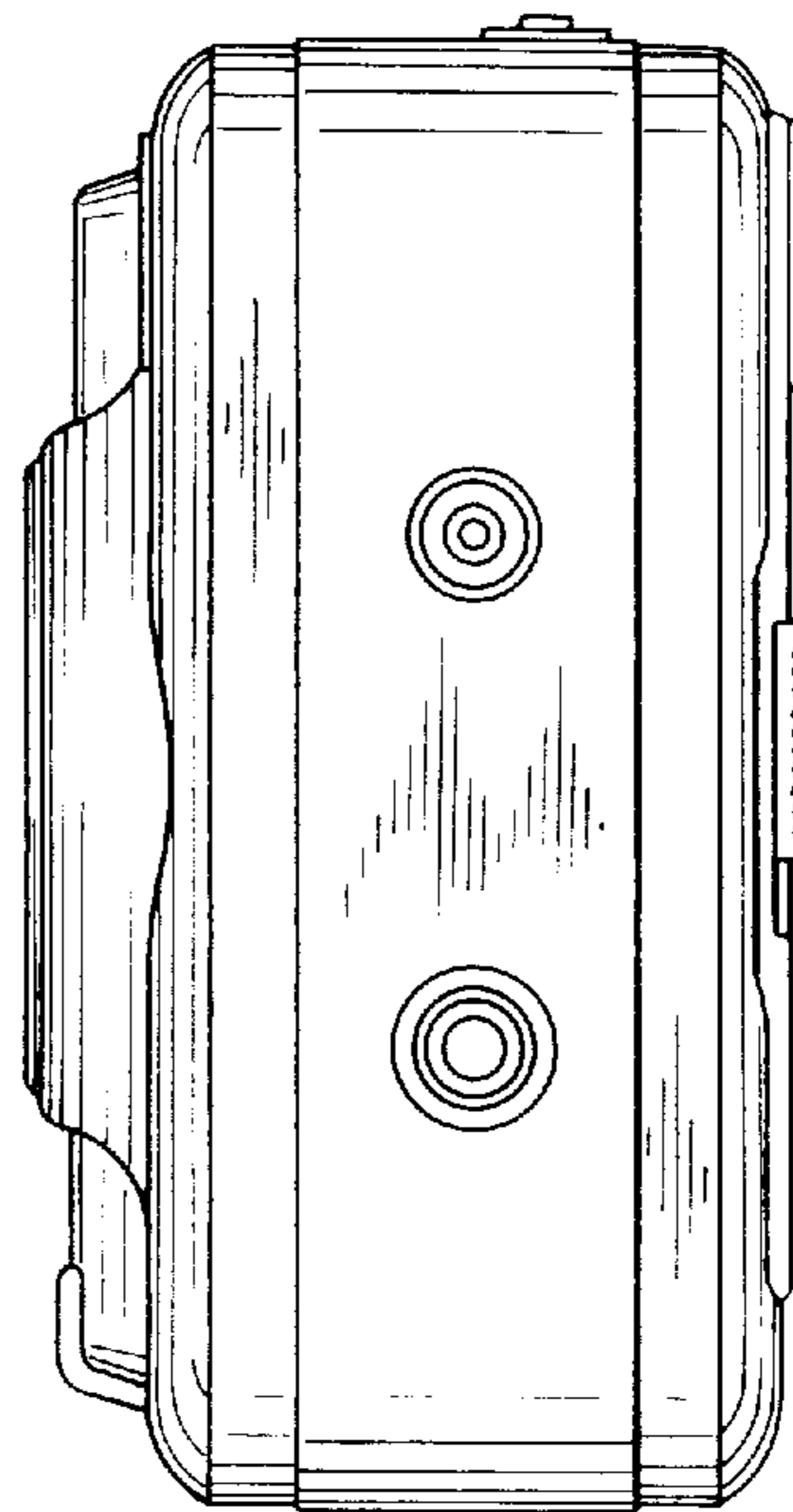


FIG. 6

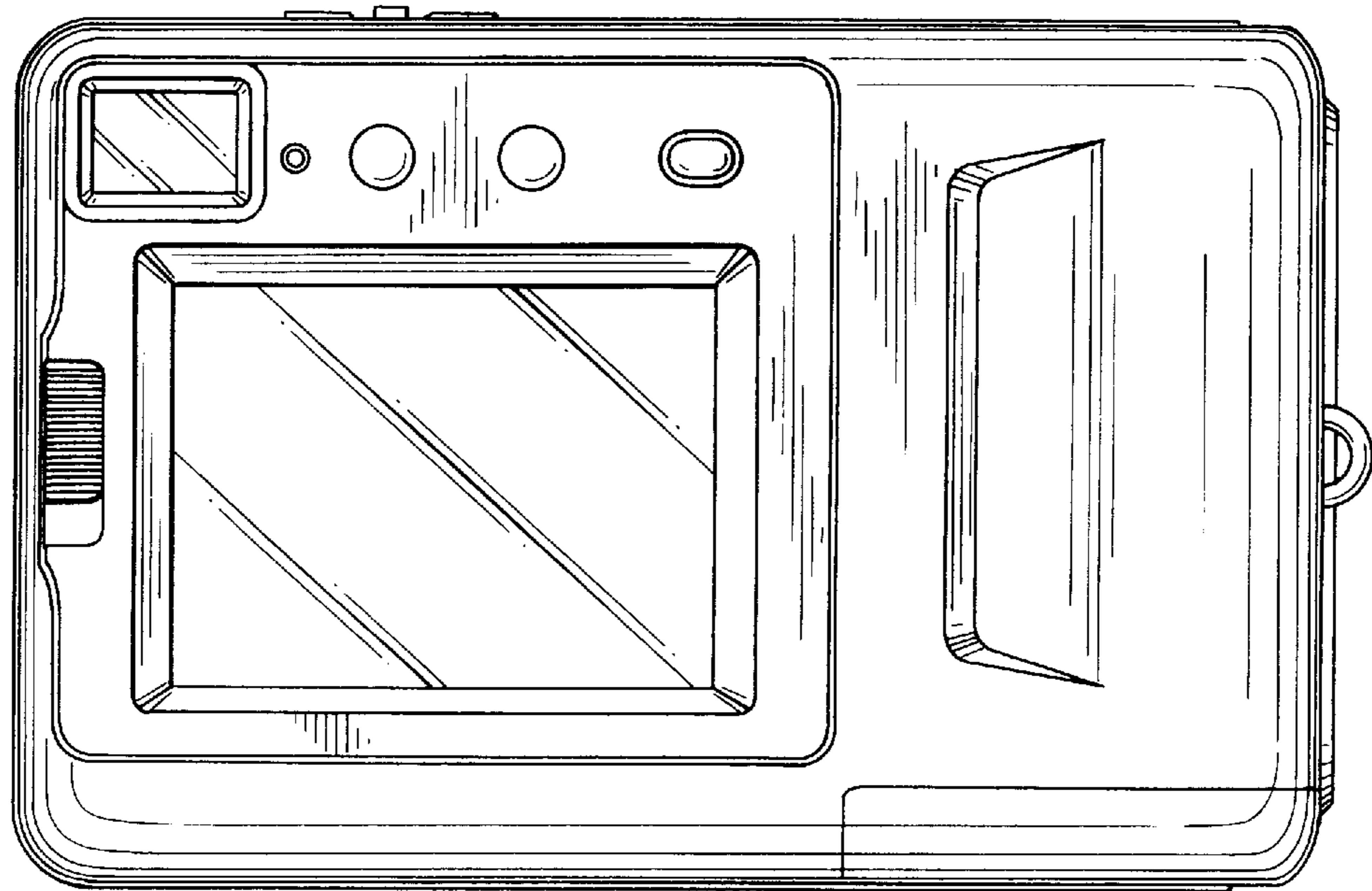


FIG. 7

