

US00D407097S

United States Patent [19]

Suzuki et al.

[11] **Patent Number: Des. 407,097**

[45] **Date of Patent: **Mar. 23, 1999**

[54] **COMBINED VIDEO CAMERA WITH LIQUID CRYSTAL MONITOR AND VIDEO TAPE RECORDER**

3,256,793 6/1966 Denk et al. 396/448

OTHER PUBLICATIONS

[75] Inventors: **Kiyoshi Suzuki; Takayasu Nagao**, both of Osaka, Japan

Sony Digital Handycam Model DCR-PC10, Nov. 1997 catalog.

Victor Model GR-DVX, Jul. 1997 catalog.

[73] Assignee: **Matsushita Electric Industrial Co., Ltd.**, Japan

Primary Examiner—Philip S. Hyder

Assistant Examiner—Adir Aronovich

Attorney, Agent, or Firm—Saidman DesignLaw Group

[**] Term: **14 Years**

[57] CLAIM

[21] Appl. No.: **84,594**

The ornamental design for a combined video camera with liquid crystal monitor and video tape recorder, as shown and described.

[22] Filed: **Mar. 5, 1998**

[30] Foreign Application Priority Data

DESCRIPTION

Sep. 19, 1997 [JP] Japan 9-68486

FIG. 1 is a perspective view of the top, front and right side of a combined video camera with liquid crystal monitor and video tape recorder showing our new design;

[51] **LOC (6) Cl.** **16-01**

FIG. 2 is a front view thereof;

[52] **U.S. Cl.** **D16/202; D16/205**

FIG. 3 is a top plan view thereof;

[58] **Field of Search** D16/200-206, D16/208, 209, 216-218; 348/373-376; 352/242, 243; 396/535-543

FIG. 4 is a right side view thereof;

FIG. 5 is a left side view thereof;

[56] References Cited

FIG. 6 is a rear view thereof;

U.S. PATENT DOCUMENTS

FIG. 7 is a bottom view thereof; and,

FIG. 8 is a perspective view of the rear, top and right side thereof with the eye piece extended rearwardly and liquid crystal monitor pivoted to an operative position.

D. 234,095 1/1975 Hansen D16/206

D. 305,903 2/1990 Sumita D16/202

D. 391,588 3/1998 Sumita D16/202

D. 396,051 7/1998 Mori D16/202

1 Claim, 6 Drawing Sheets

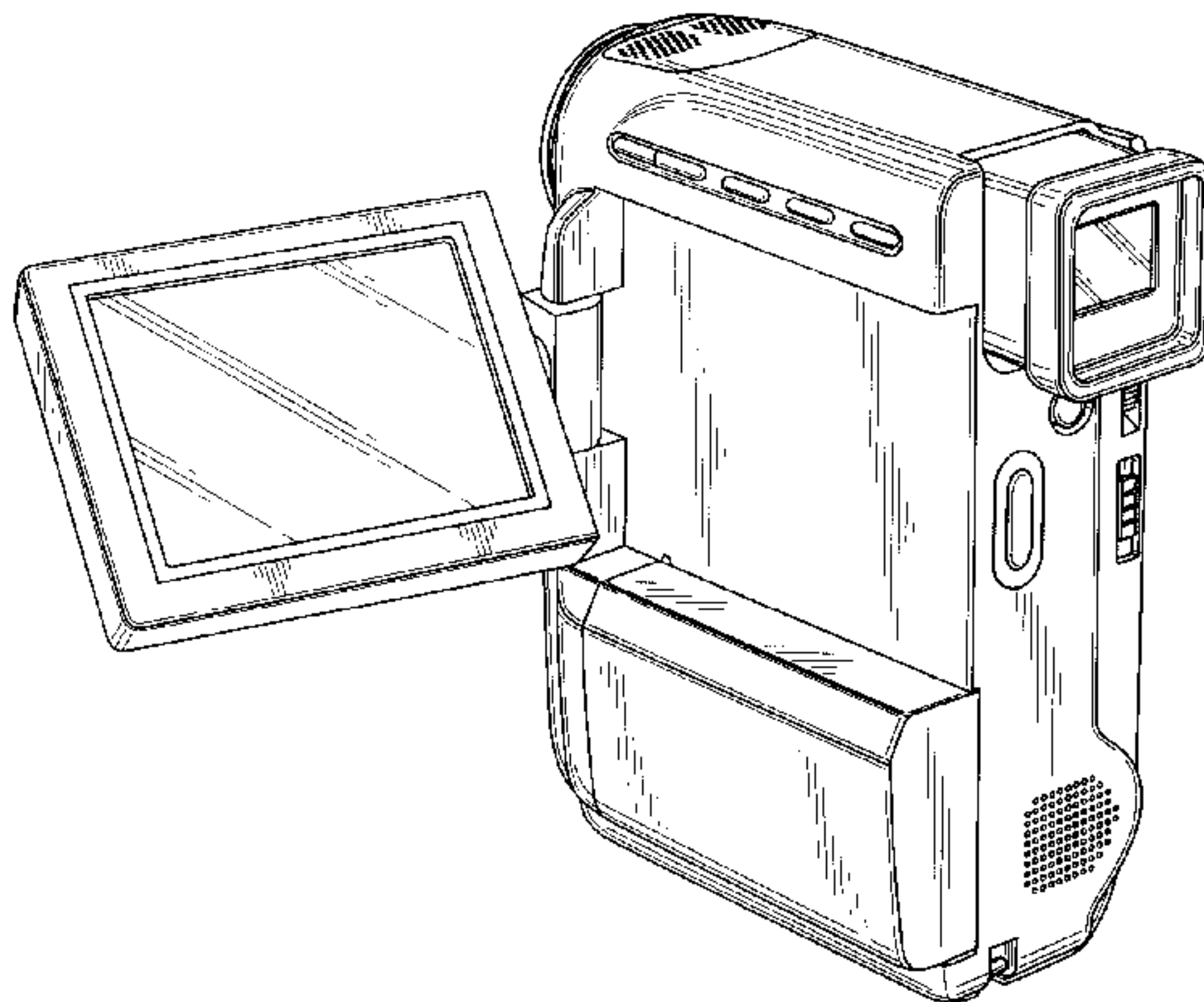
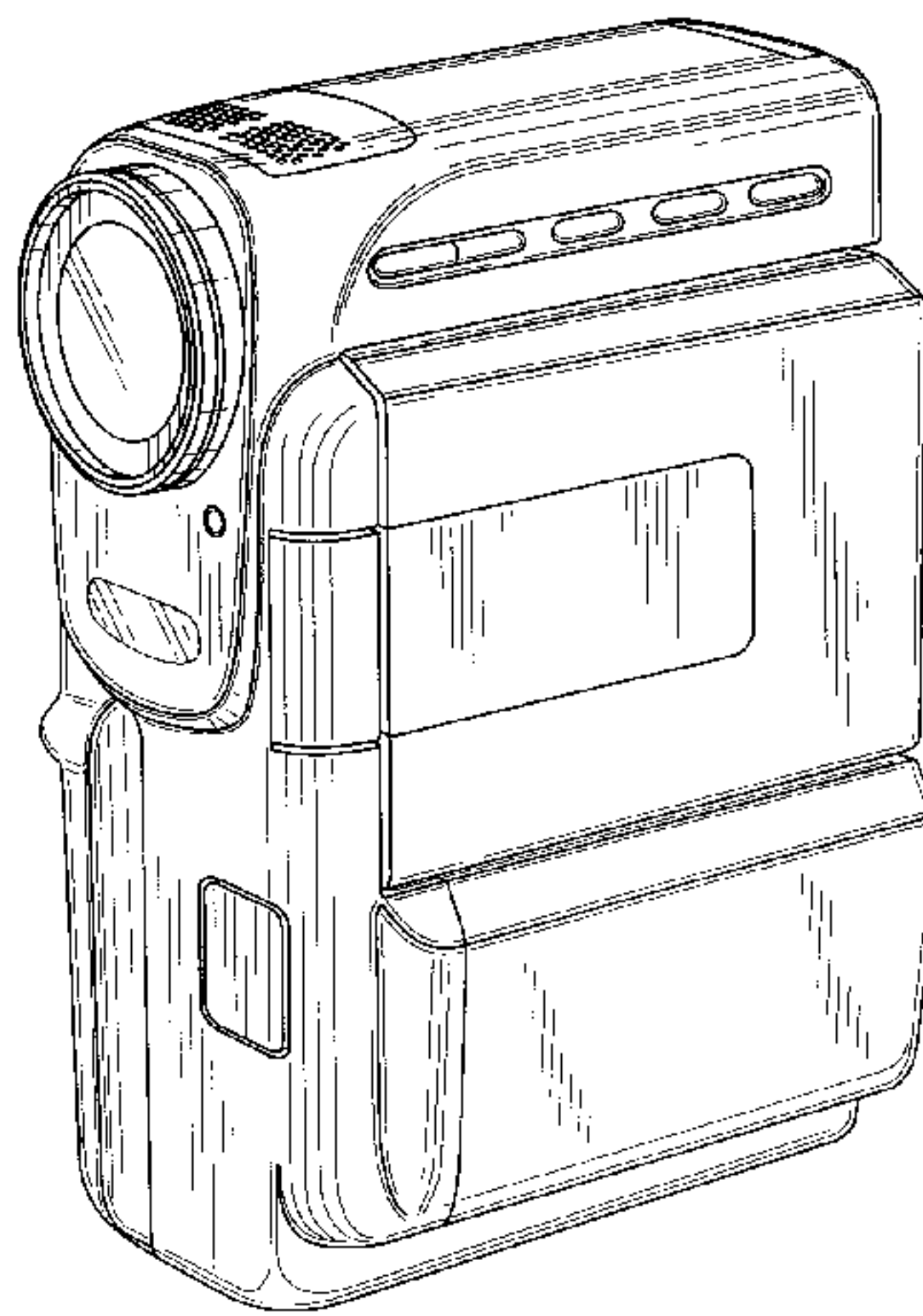


FIG. 1

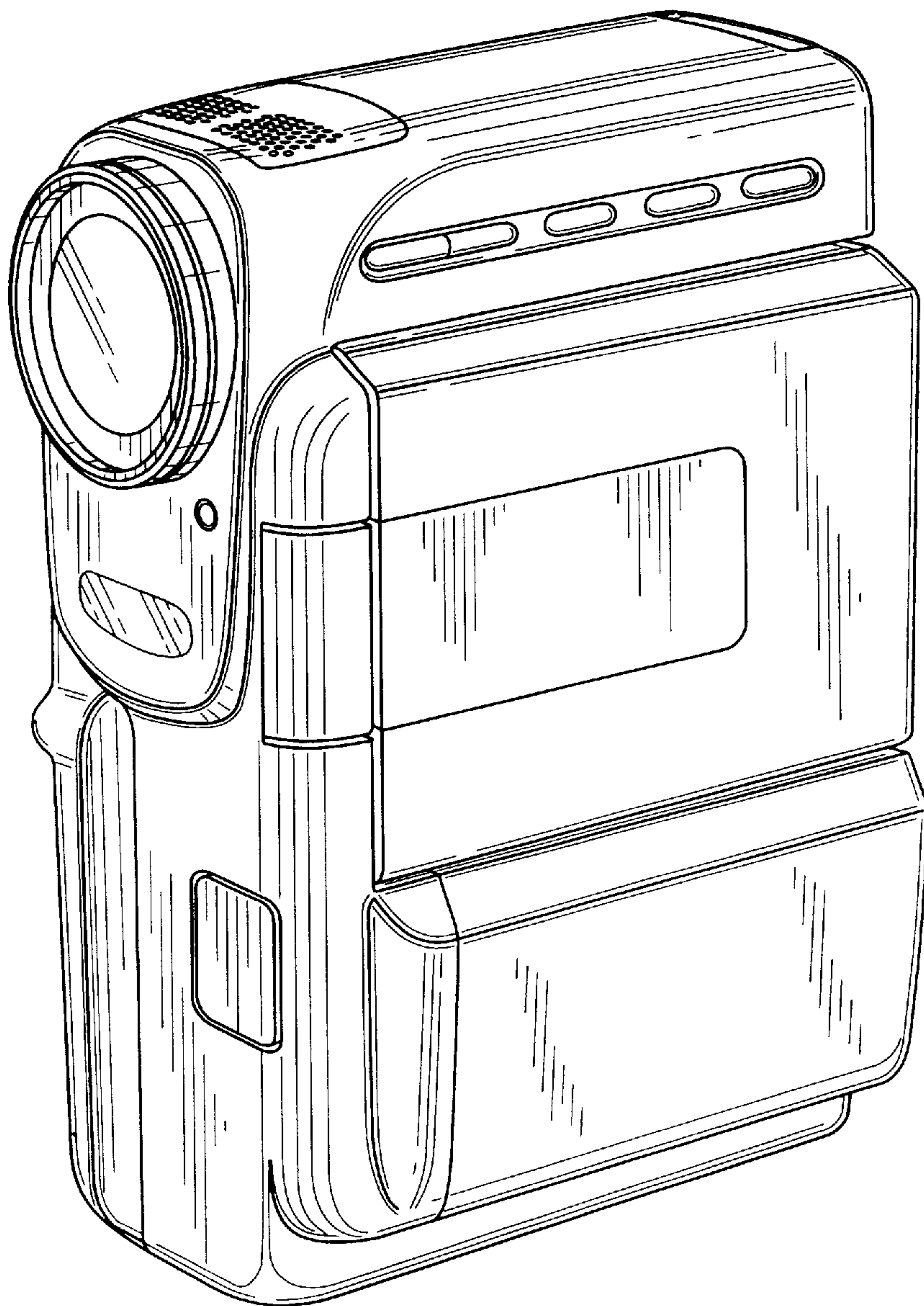


FIG. 2

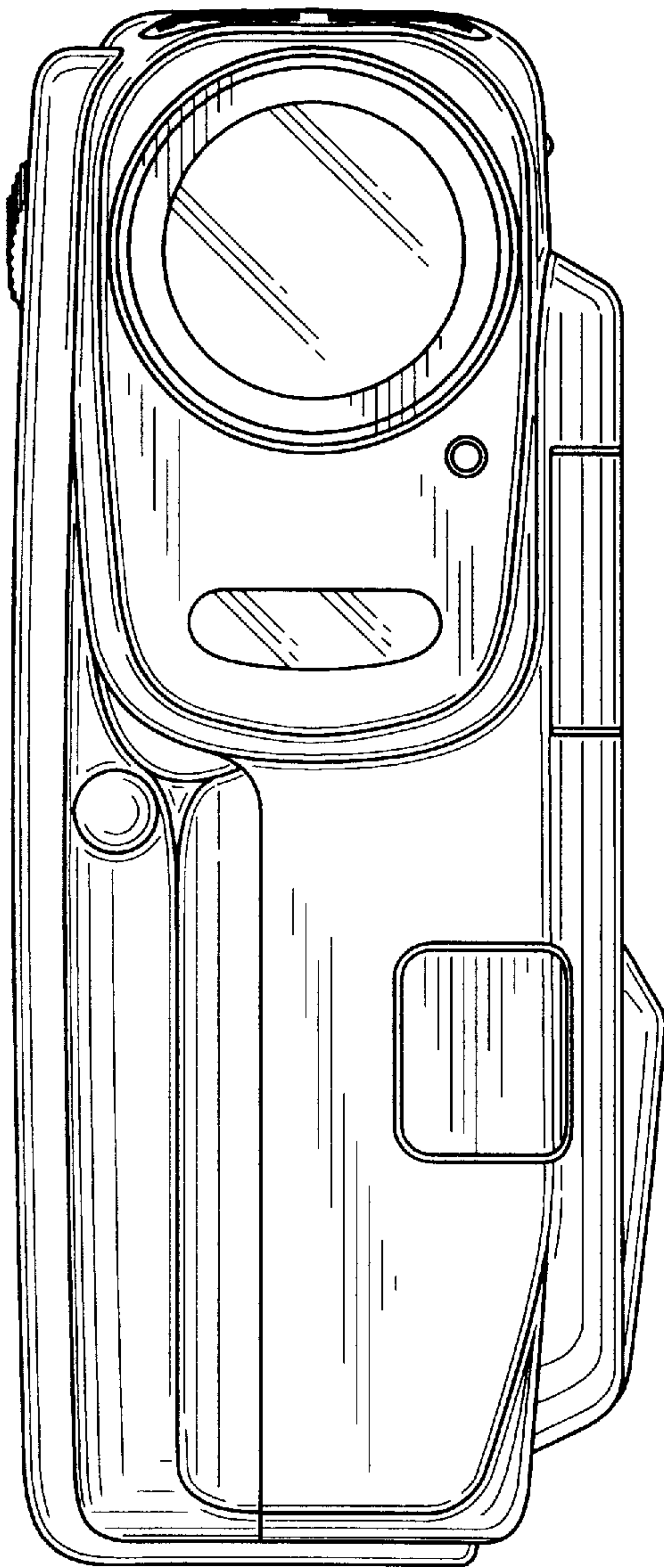


FIG. 3

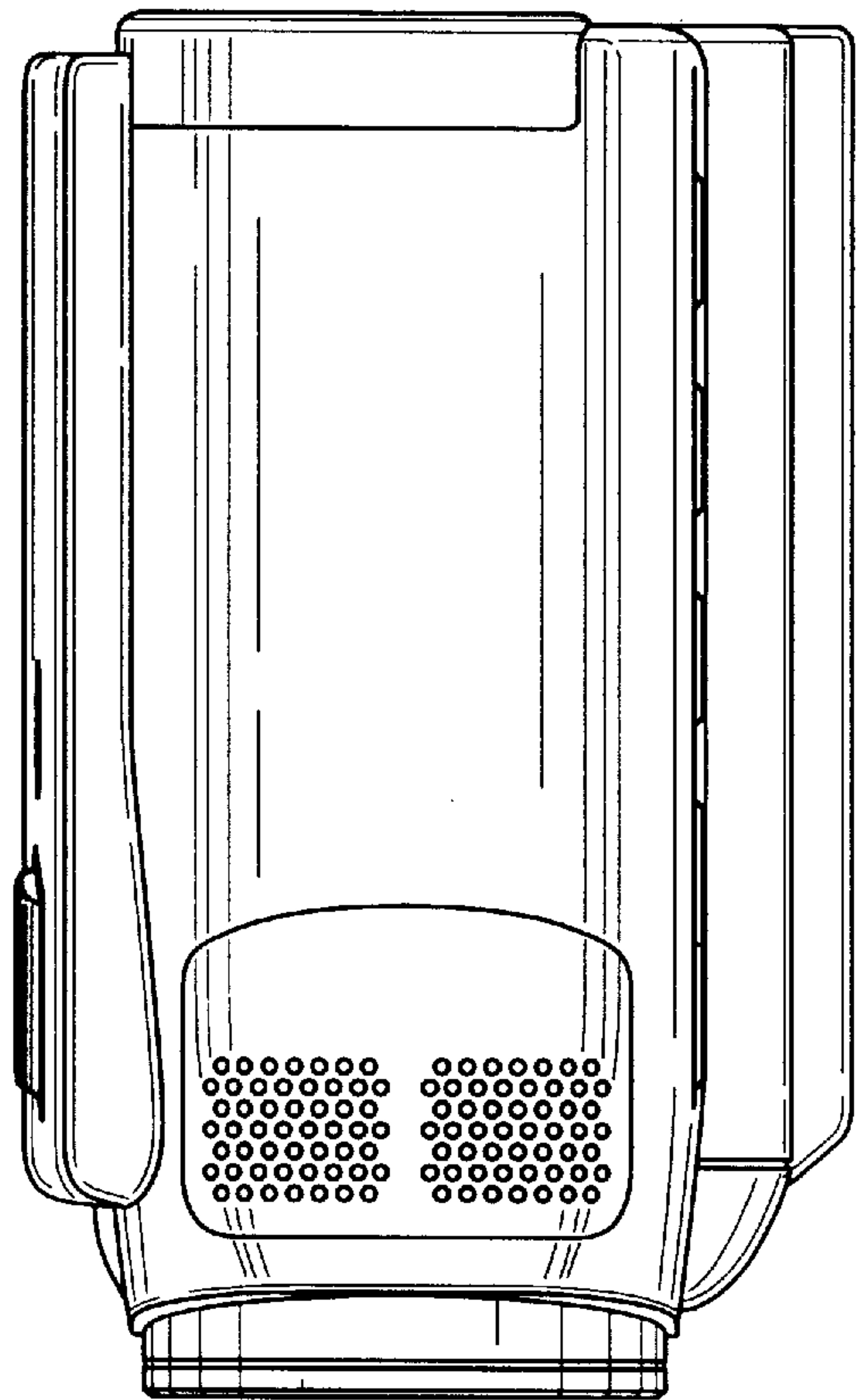


FIG. 4

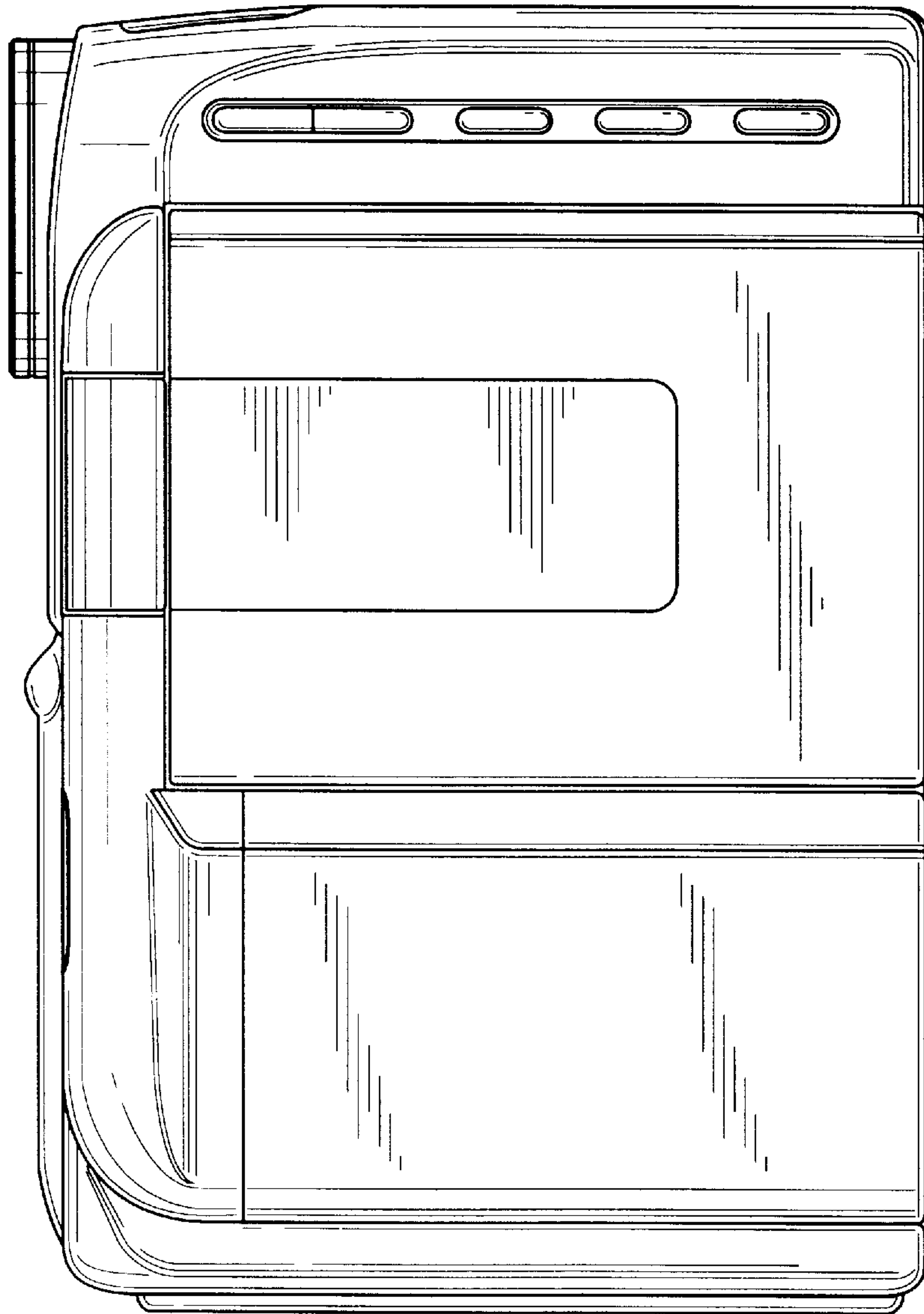


FIG. 5

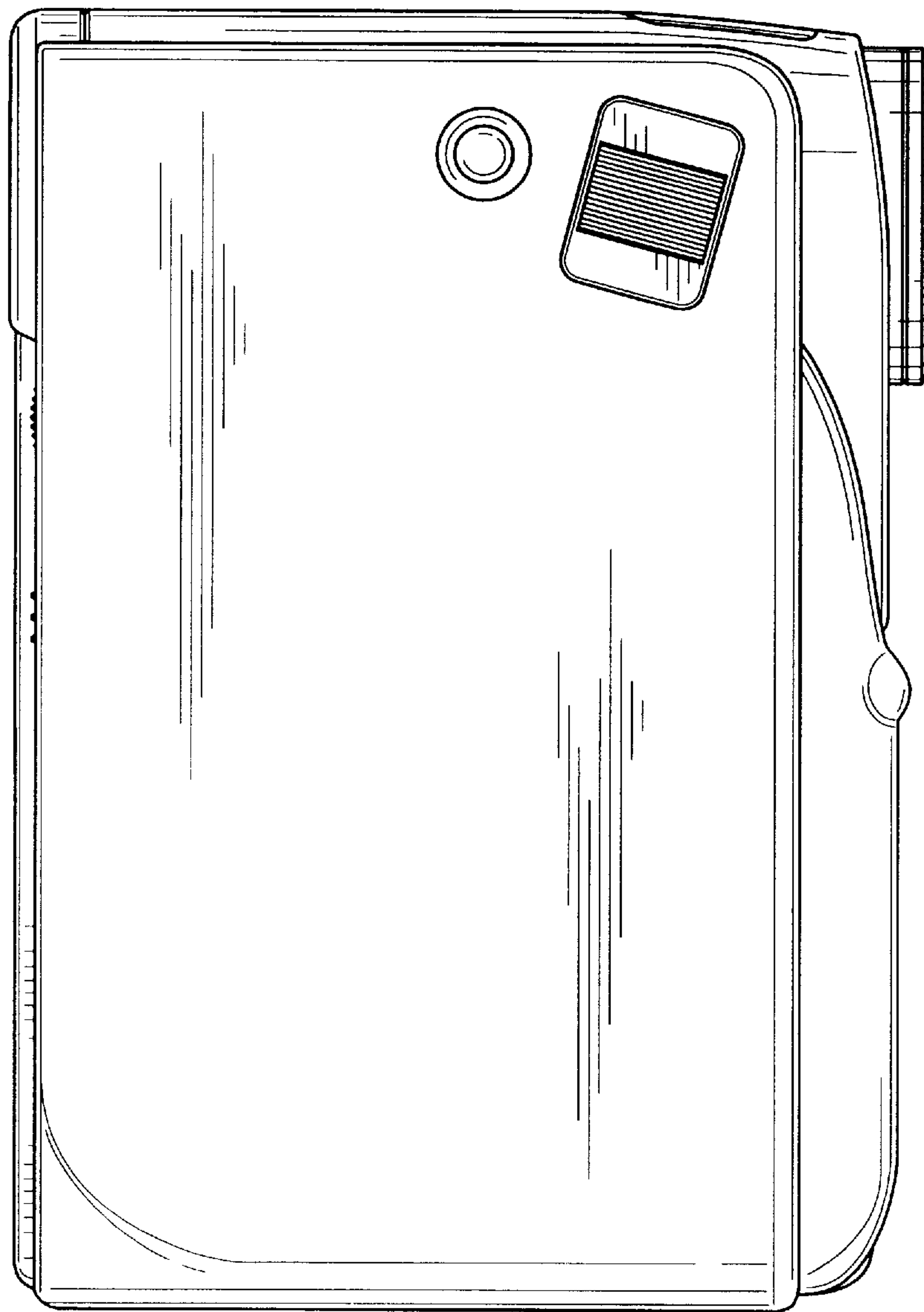


FIG. 6

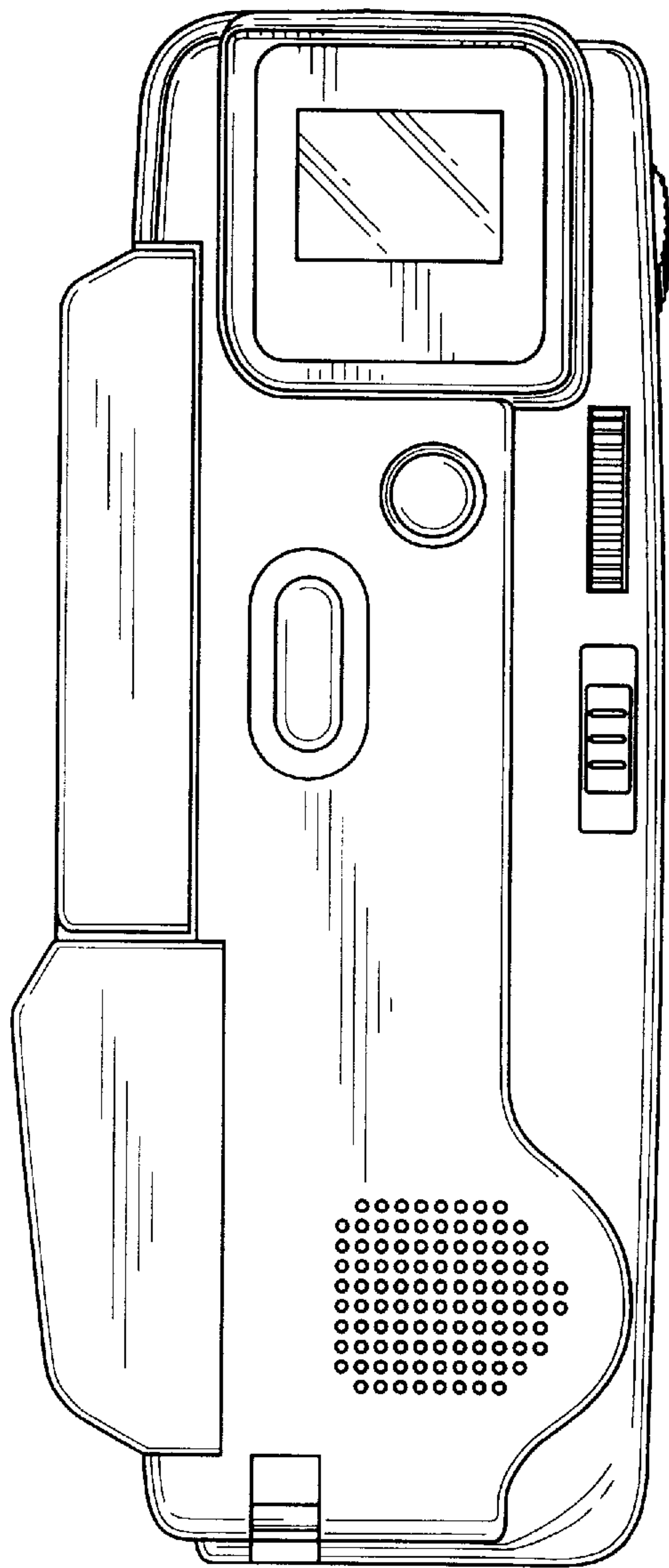
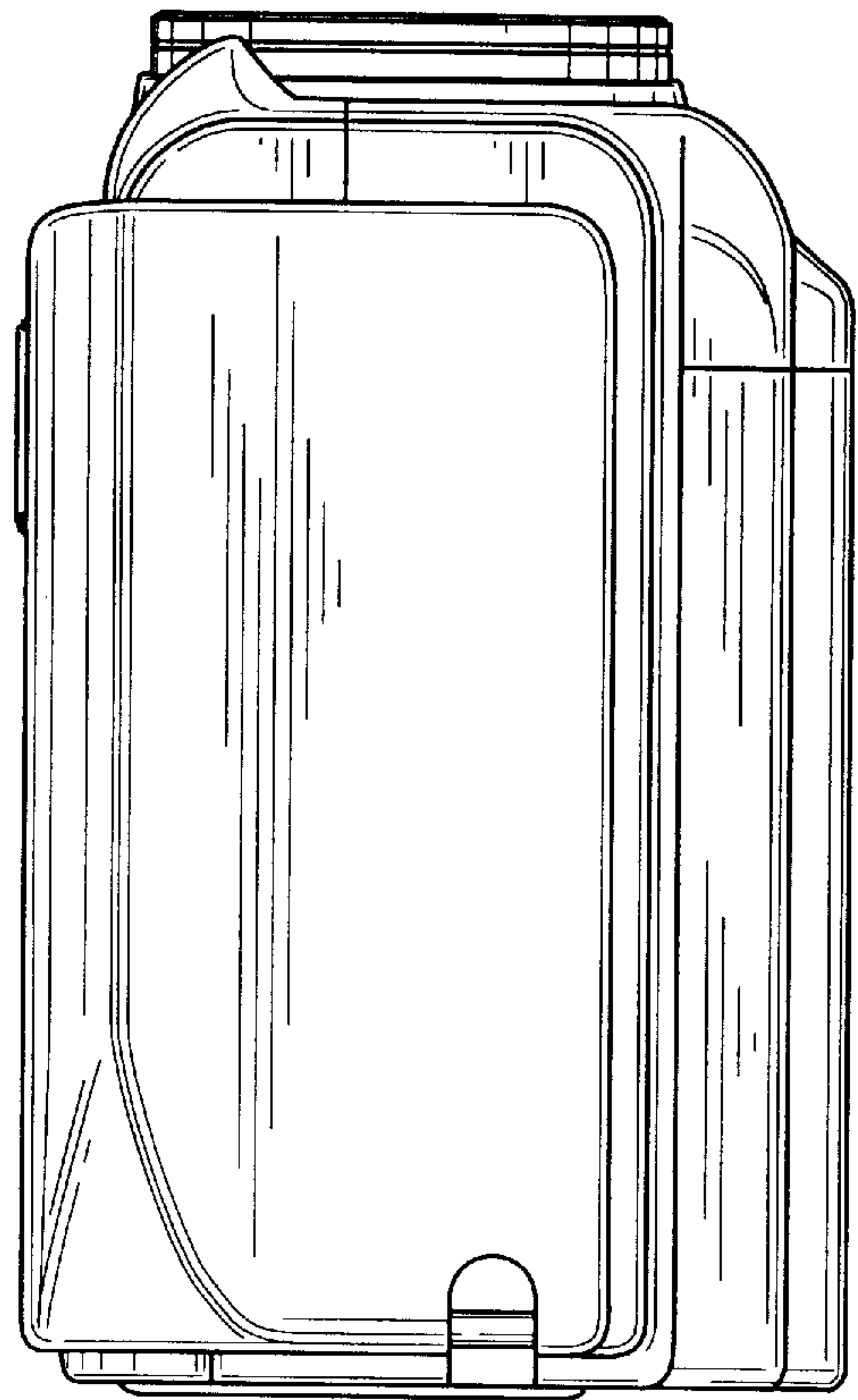


FIG. 7



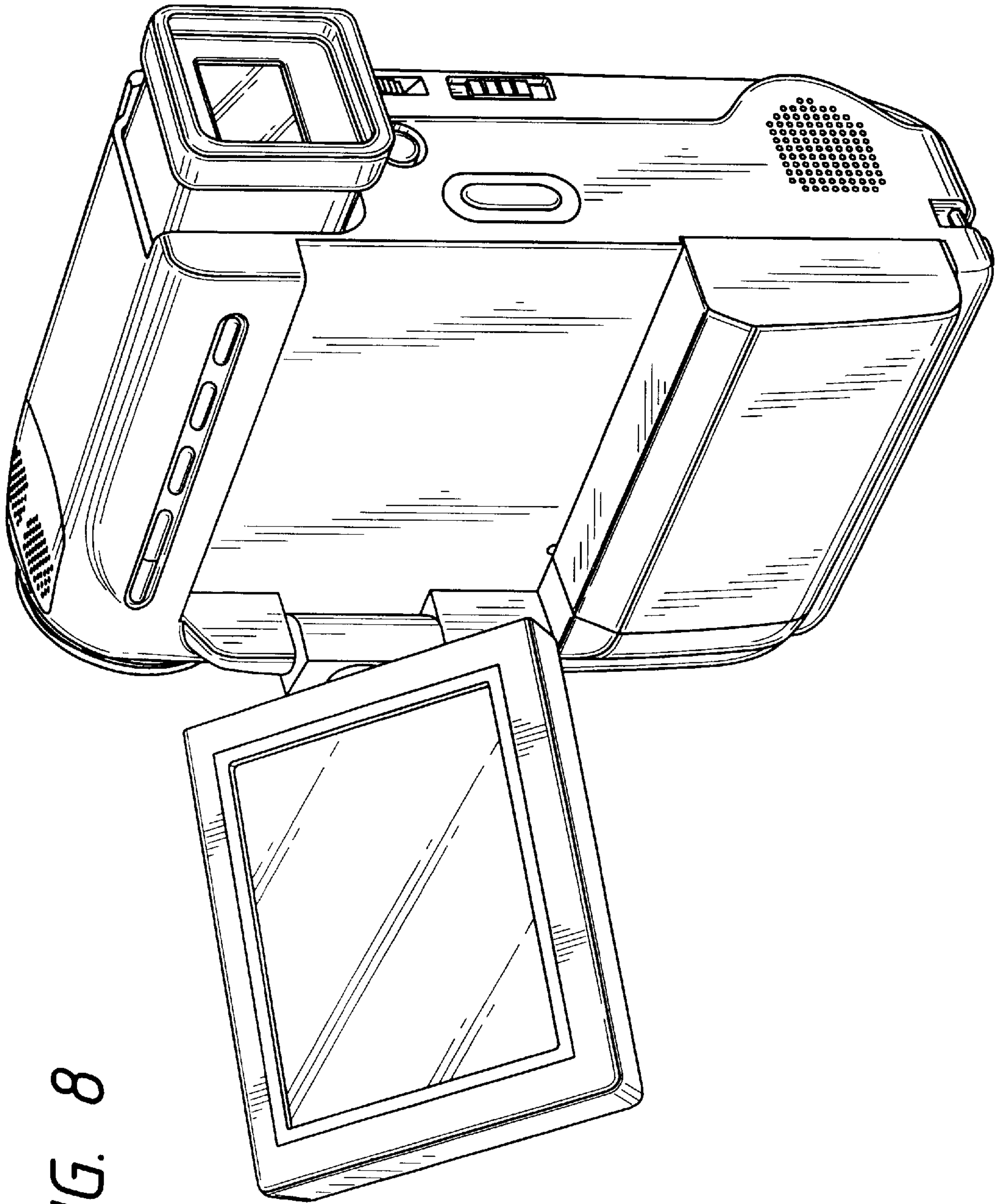


FIG. 8