



US00D407095S

# United States Patent [19]

Brunson

[11] **Patent Number: Des. 407,095**

[45] **Date of Patent: \*\*Mar. 23, 1999**

[54] **STABILIZER FOR A SLIDING COMPOUND MITER SAW**

### FOREIGN PATENT DOCUMENTS

63-147801 of 1991 Japan .

[75] Inventor: **Mark E. Brunson**, Abingdon, Md.

*Primary Examiner*—Antoine Duval Davis  
*Attorney, Agent, or Firm*—Harness, Dickey & Pierce, P.L.C.

[73] Assignee: **Black & Decker Inc.**, Newark, Del.

[\*\*] Term: **14 Years**

### [57] CLAIM

[21] Appl. No.: **72,690**

The ornamental design for a stabilizer for a sliding compound miter saw, as shown and described.

[22] Filed: **Jun. 19, 1997**

### DESCRIPTION

[51] **LOC (6) Cl.** ..... **15-09**

FIG. 1 is a perspective view of the design for a stabilizer for a sliding compound miter saw according to the present invention;

[52] **U.S. Cl.** ..... **D15/133**

FIG. 2 is a perspective view thereof;

[58] **Field of Search** ..... D15/133; 83/471.5, 83/471.4, 477, 581, 226-283

FIG. 3 is a top plan view thereof;

FIG. 4 is a right side elevational view thereof;

FIG. 5 is a front elevational view thereof; and,

FIG. 6 is a rear elevational view thereof;

### [56] References Cited

#### U.S. PATENT DOCUMENTS

5,347,902 9/1994 Brickner et al. .... 83/471.3 X

**1 Claim, 2 Drawing Sheets**

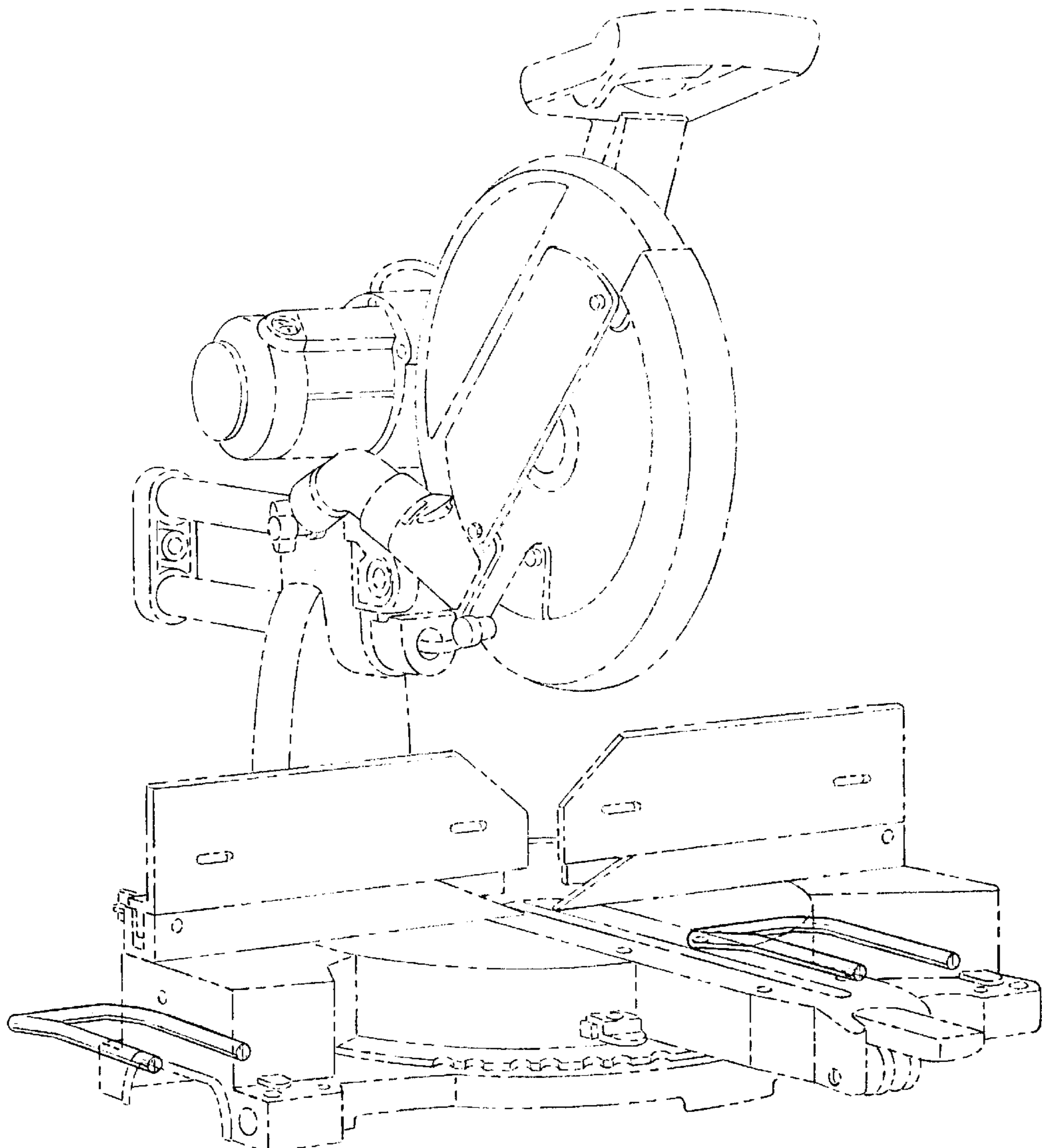
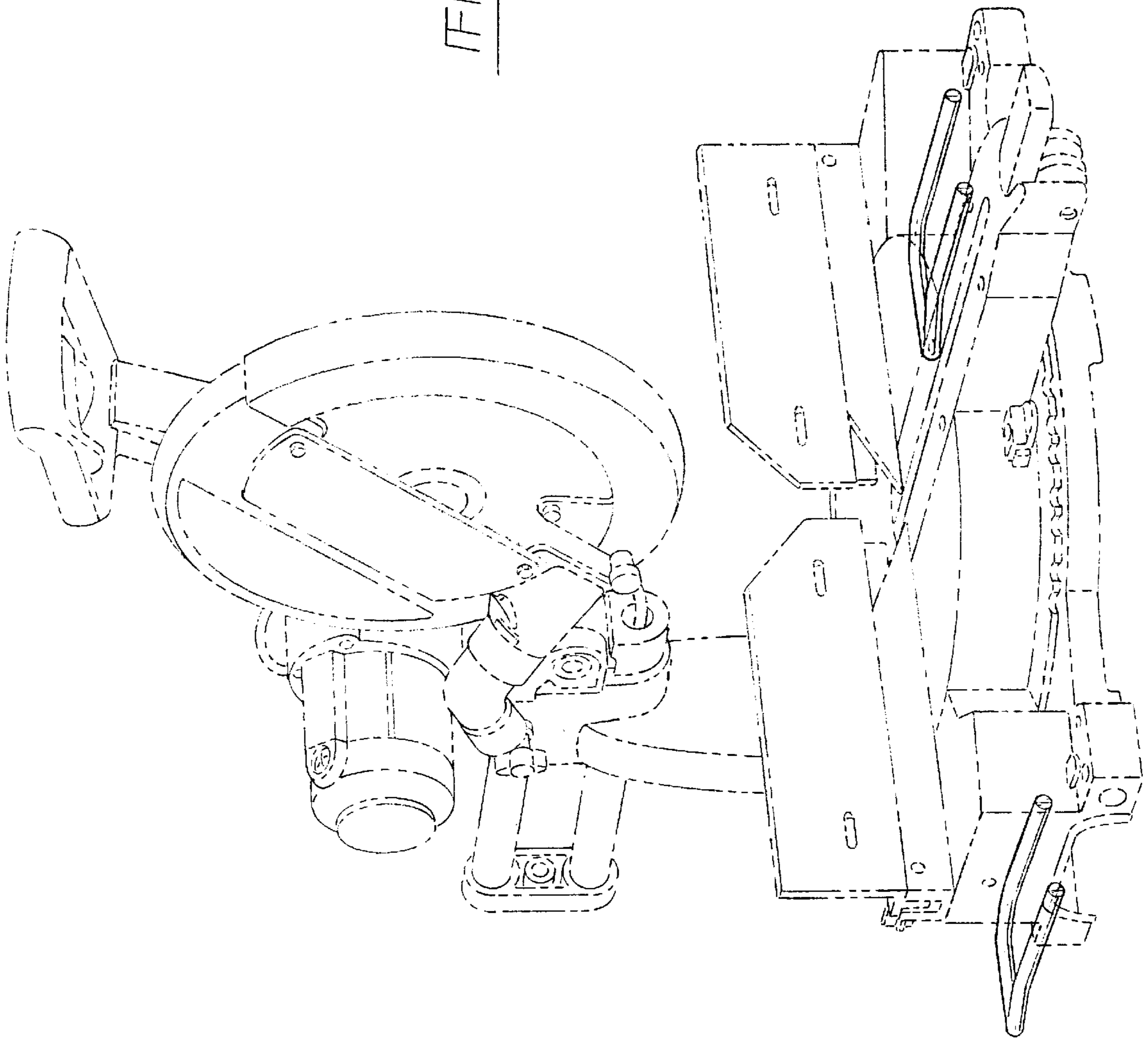


FIG - 1



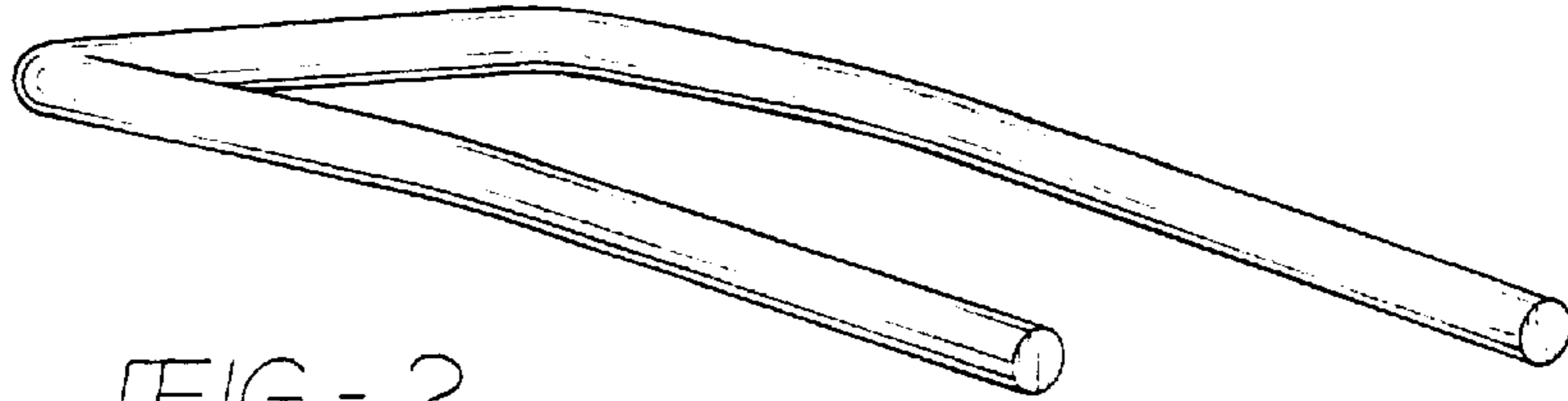


FIG - 2

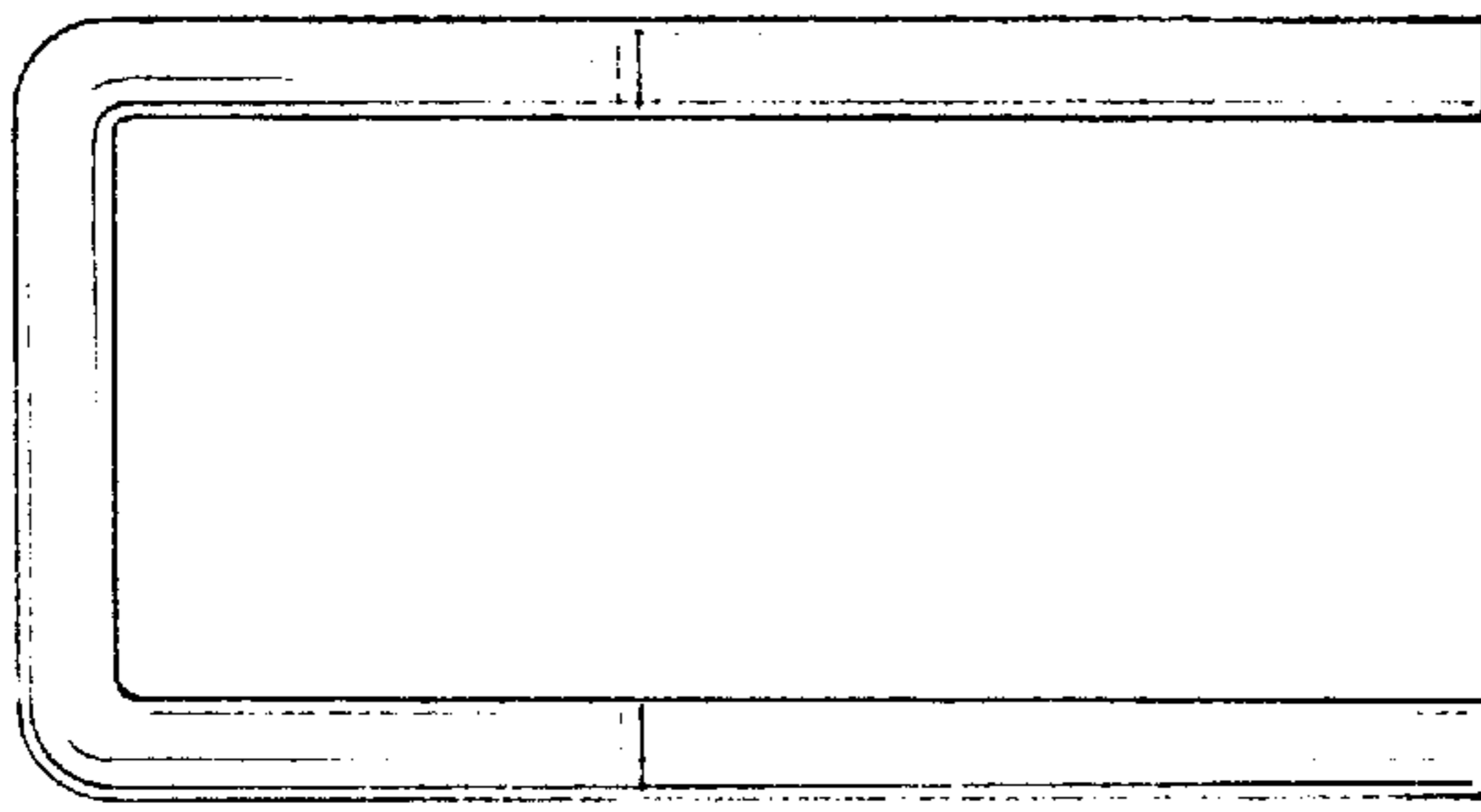


FIG - 3

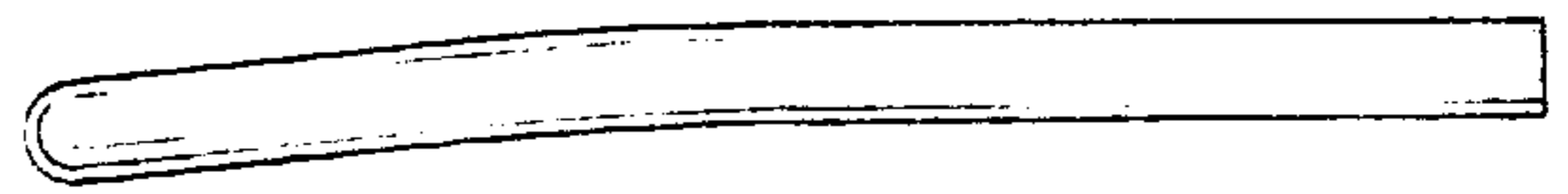


FIG - 4

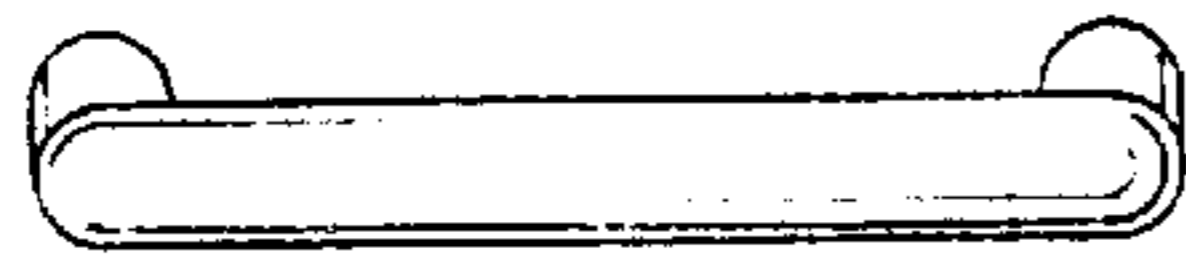


FIG - 5

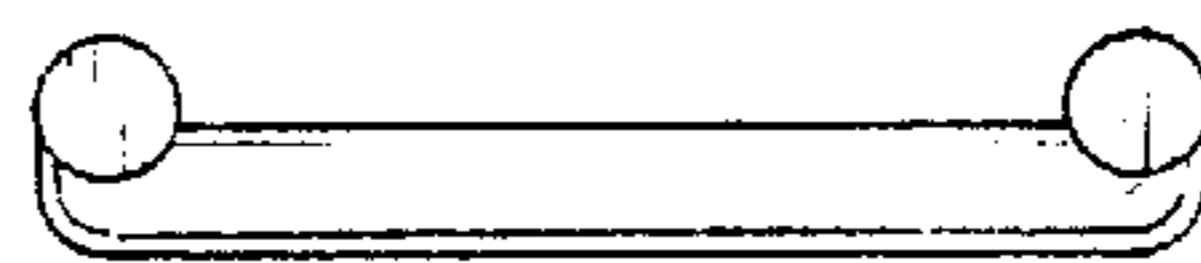


FIG - 6