



US00D407094S

United States Patent [19]

[11] **Patent Number: Des. 407,094**

Meredith et al.

[45] **Date of Patent: **Mar. 23, 1999**

[54] **DUST COLLECTION SYSTEM FOR A SLIDING COMPOUND MITER SAW**

5,060,548 10/1991 Sato et al. .
5,445,056 8/1995 Folci .

[75] Inventors: **Daryl Meredith**, Hampstead; **Robert P. Welsh**, Hunt Valley, both of Md.

Primary Examiner—Antoine Duval Davis
Attorney, Agent, or Firm—Harness, Dickey & Pierce, P.L.C.

[73] Assignee: **Black & Decker Inc.**, Newark, Del.

[57] **CLAIM**

[**] Term: **14 Years**

The ornamental design for a dust collection system for a sliding compound miter saw, as shown and described.

[21] Appl. No.: **72,685**

DESCRIPTION

[22] Filed: **Jun. 19, 1997**

FIG. 1 is a perspective view of the design for a dust collecting system for a sliding compound miter saw according to the present invention;

[51] **LOC (6) Cl.** **15-09**

[52] **U.S. Cl.** **D15/133**

FIG. 2 is a front elevational view thereof;

[58] **Field of Search** D15/133; 83/100,
83/168; 144/252 N

FIG. 3 is a right side elevational view thereof;

FIG. 4 is a left side elevational view thereof;

FIG. 5 is a bottom plan view thereof; and,

FIG. 6 is a top plan view thereof.

[56] **References Cited**

The broken line showing is for illustrative purposes only and forms no part of the claimed design.

U.S. PATENT DOCUMENTS

D. 292,407 10/1987 Legler et al. D15/133
4,869,142 9/1989 Sato et al. .

1 Claim, 2 Drawing Sheets

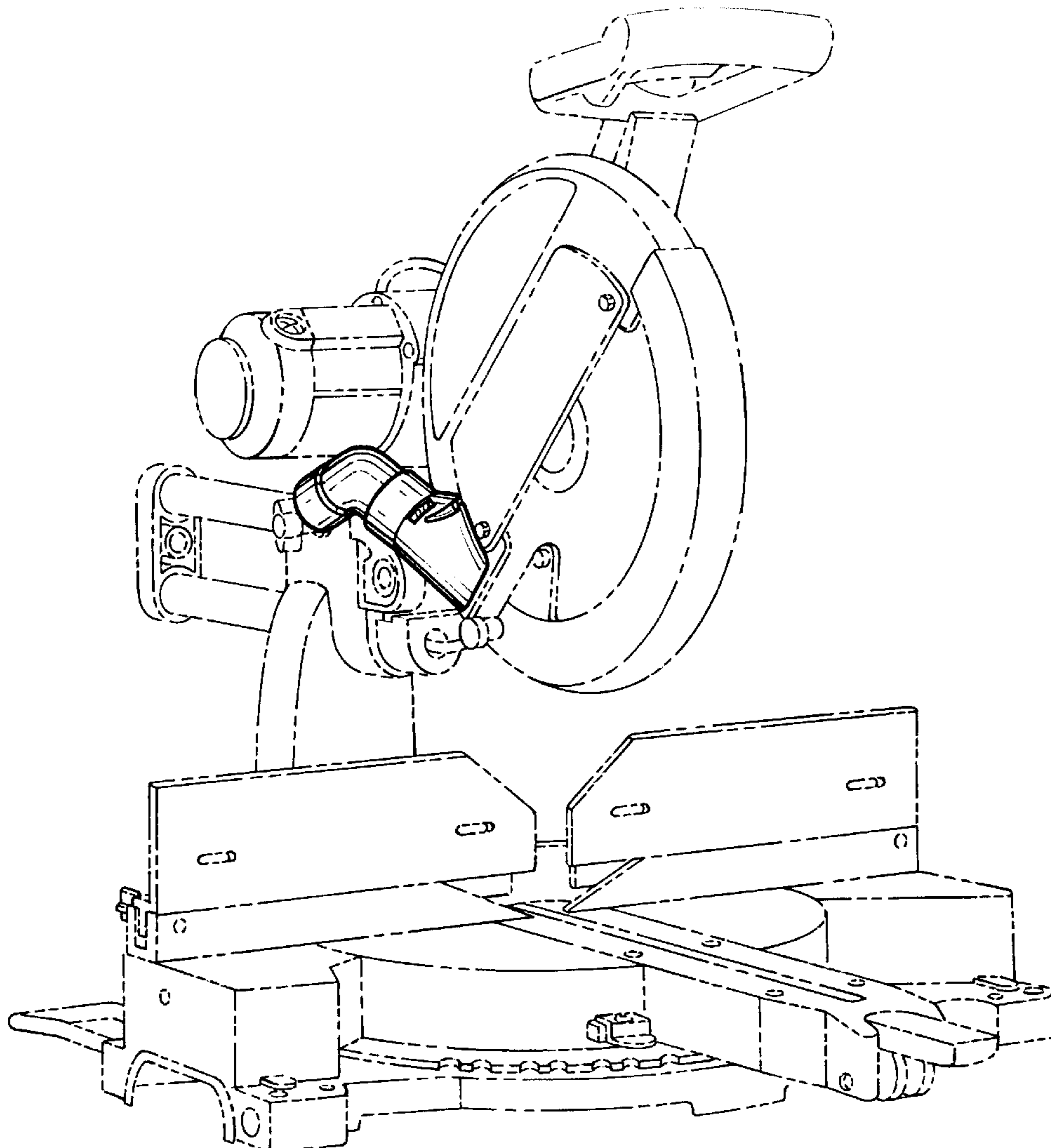
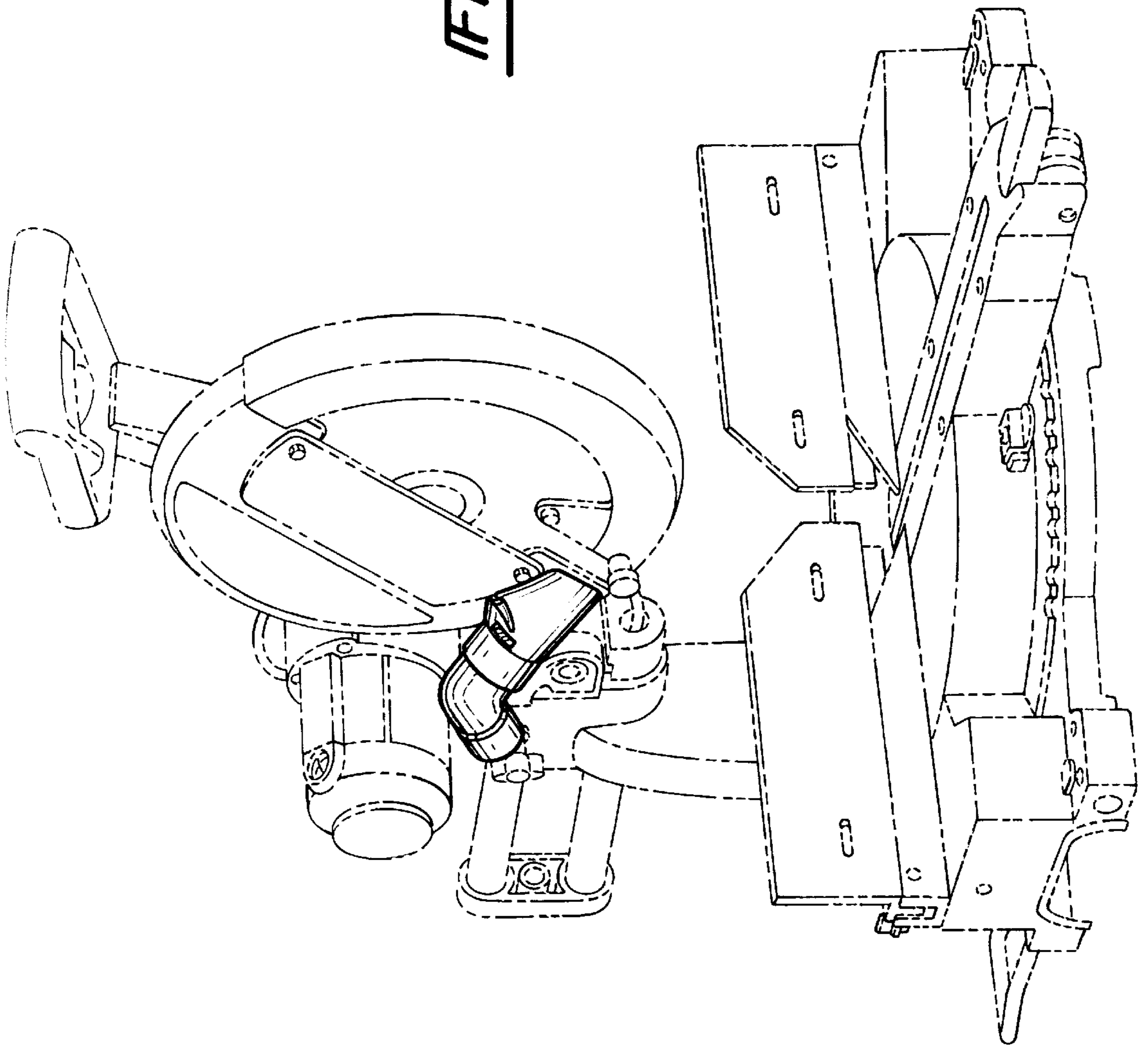


Fig-1



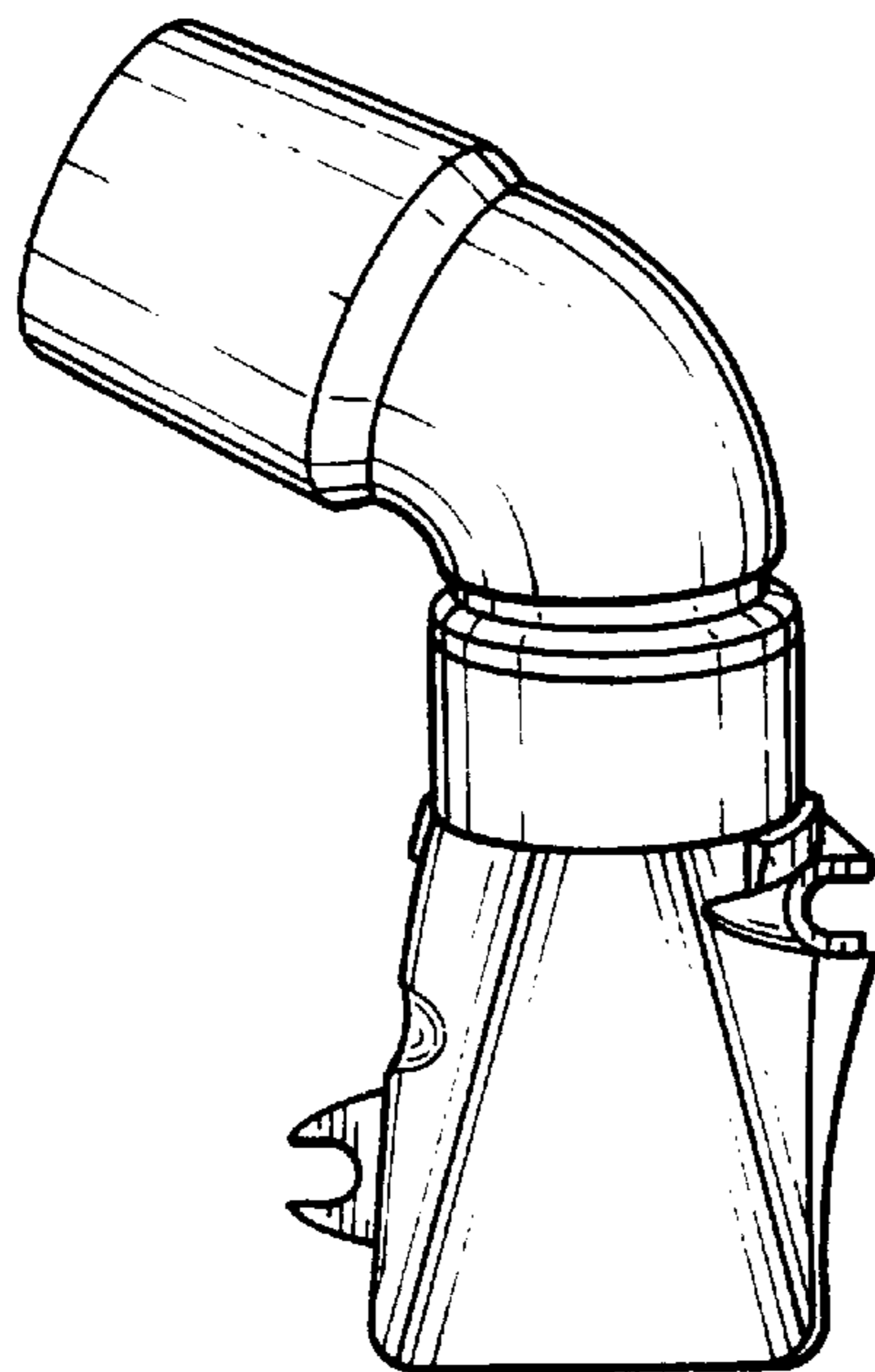


Fig-2

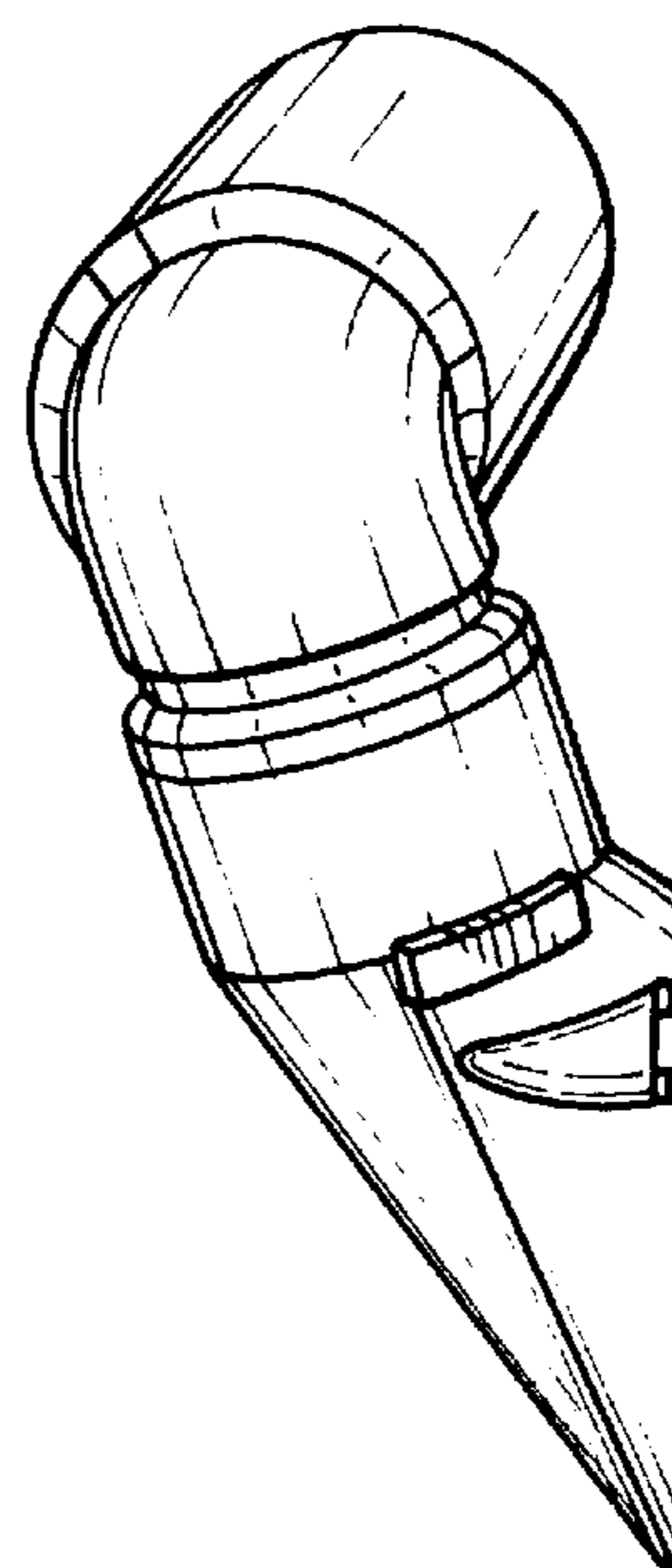


Fig-3

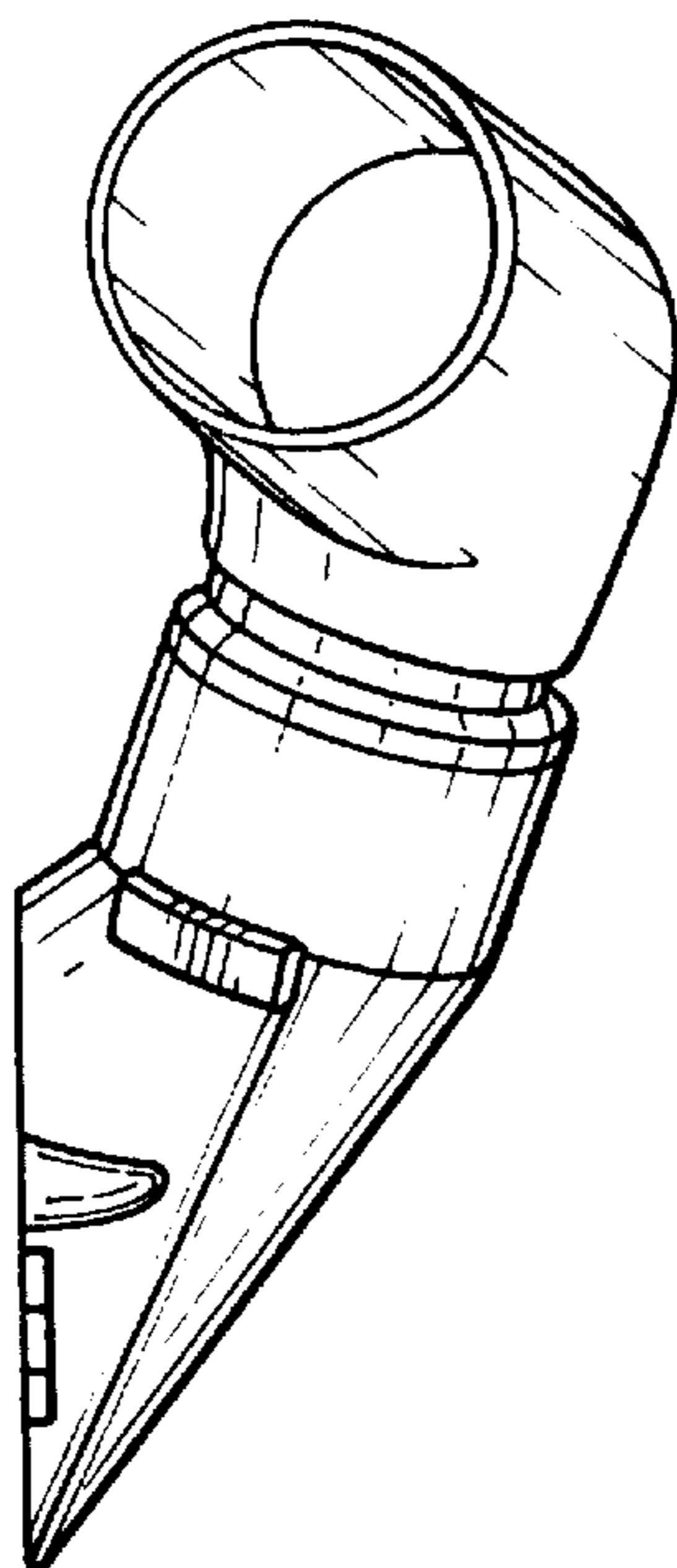


Fig-4

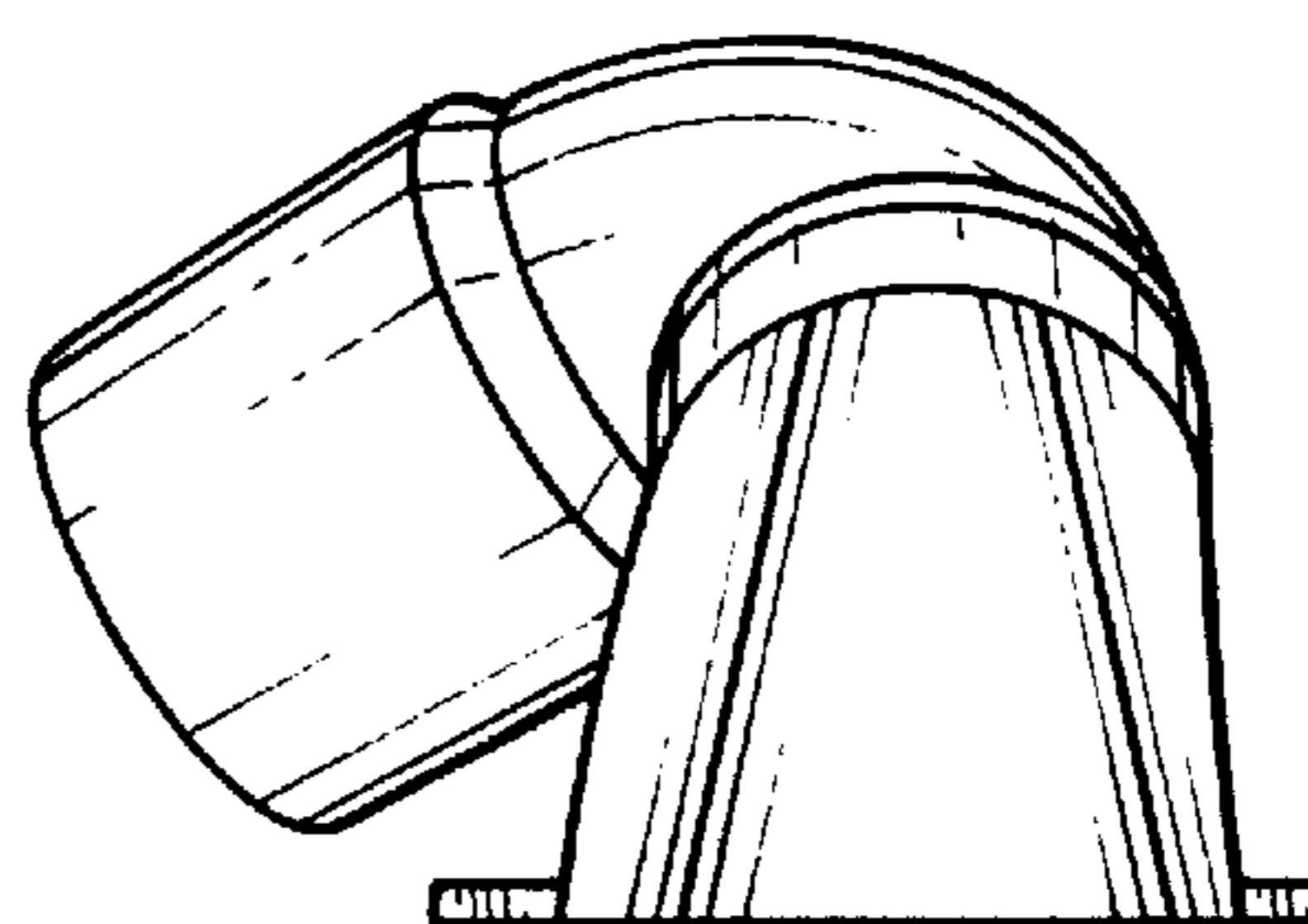


Fig-5

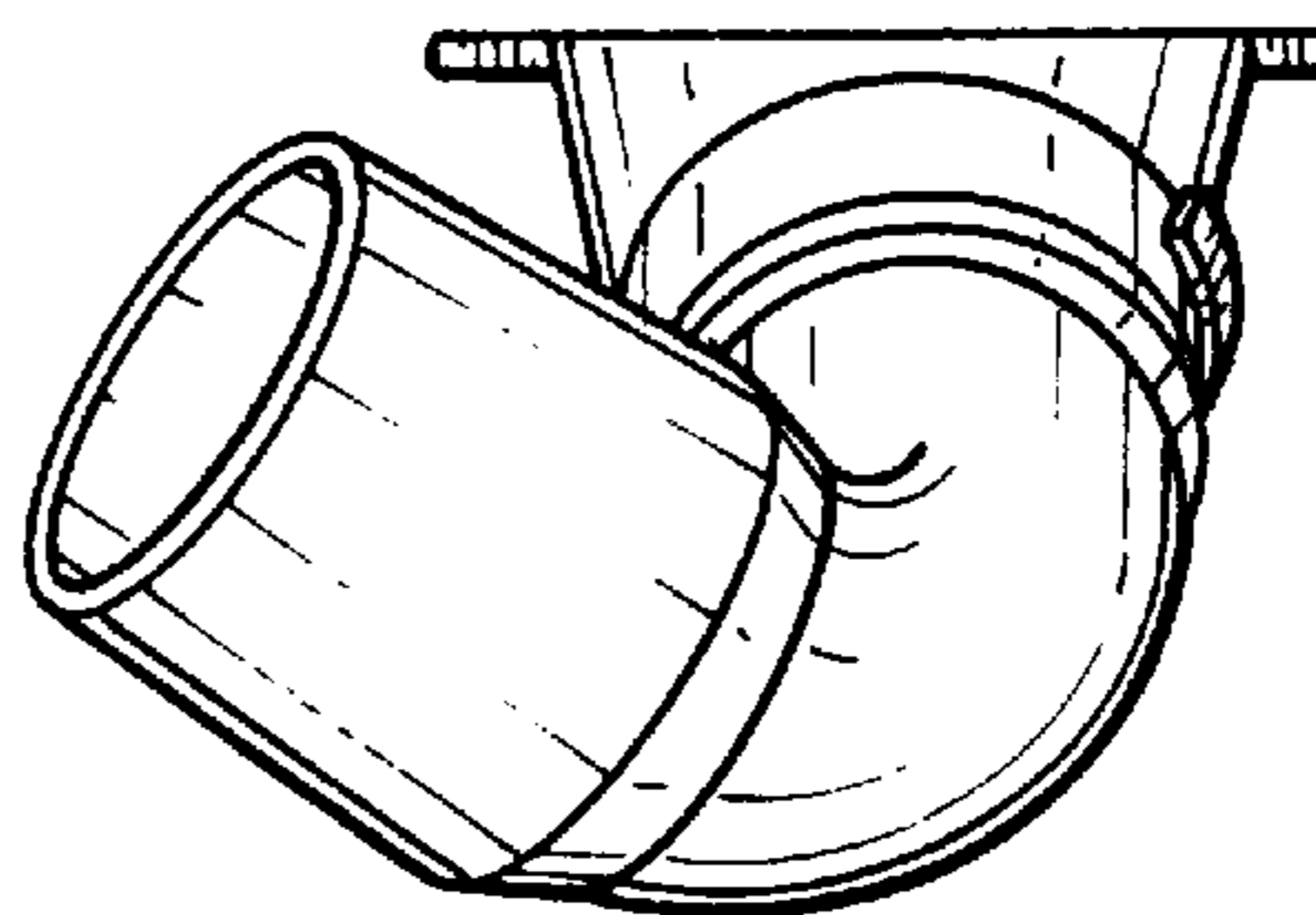


Fig-6