



US00D407092S

United States Patent [19] Weaver

[11] **Patent Number: Des. 407,092**

[45] **Date of Patent: **Mar. 23, 1999**

[54] **ICE MAKING, BAGGING AND STORAGE PLANT**

D. 365,110 12/1995 Klein, III D15/85
D. 372,036 7/1996 Timura et al. D15/81

[75] Inventor: **Jimmy Carter Weaver**, Flower Mound, Tex.

Primary Examiner—Sandra L. Morris
Attorney, Agent, or Firm—Akin, Gump, Strauss, Hauer & Feld, L.L.P.

[73] Assignee: **Reddy Ice Corporation**, Dallas, Tex.

[57] **CLAIM**

[**] Term: **14 Years**

The ornamental design for an ice making, bagging and storage plant, as shown and described.

[21] Appl. No.: **83,386**

DESCRIPTION

[22] Filed: **Feb. 9, 1998**

[51] **LOC (6) Cl.** **15-07**

FIG. 1 is a perspective view of the ice making, bagging and storage plant;

[52] **U.S. Cl.** **D15/80; D15/85**

FIG. 2 is a front view of the ice making, bagging and storage plant;

[58] **Field of Search** D6/470-472; D15/79-86, D15/89, 91; 62/246-252, 371, 444, 445; 312/114, 116, 128, 236, 237

FIG. 3 is a side view of the ice making, bagging and storage plant;

[56] **References Cited**

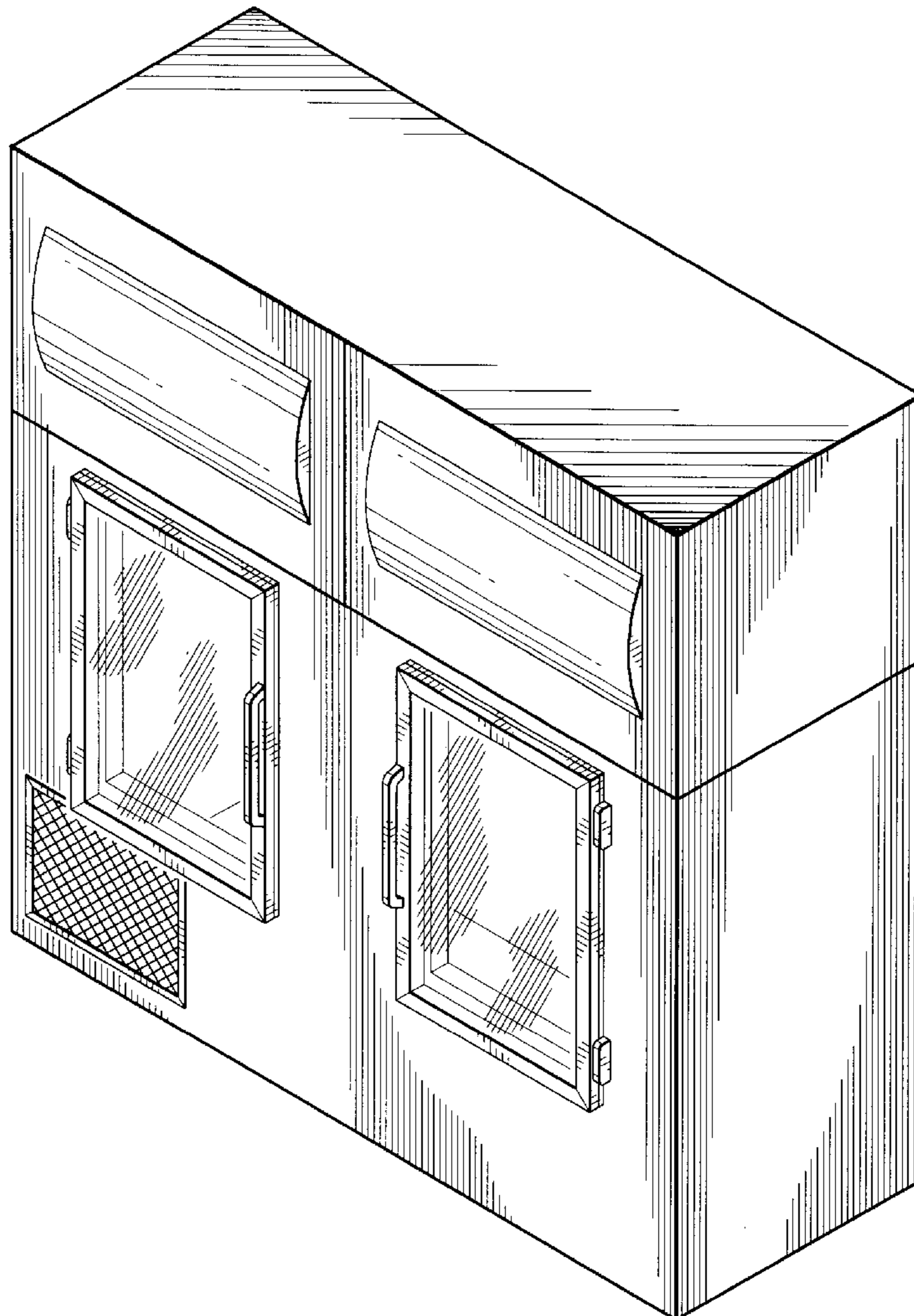
FIG. 4 is a plan view of the ice making, bagging and storage plant; and,

U.S. PATENT DOCUMENTS

FIG. 5 is a perspective view of a alternative embodiment of the ice making, bagging and storage plant with a single access door.

- D. 191,927 12/1961 Trulaske D15/85
- D. 230,882 3/1974 Winsett D15/80
- D. 265,316 7/1982 Trulaske D15/85
- D. 275,958 10/1984 Burns D15/80

1 Claim, 3 Drawing Sheets



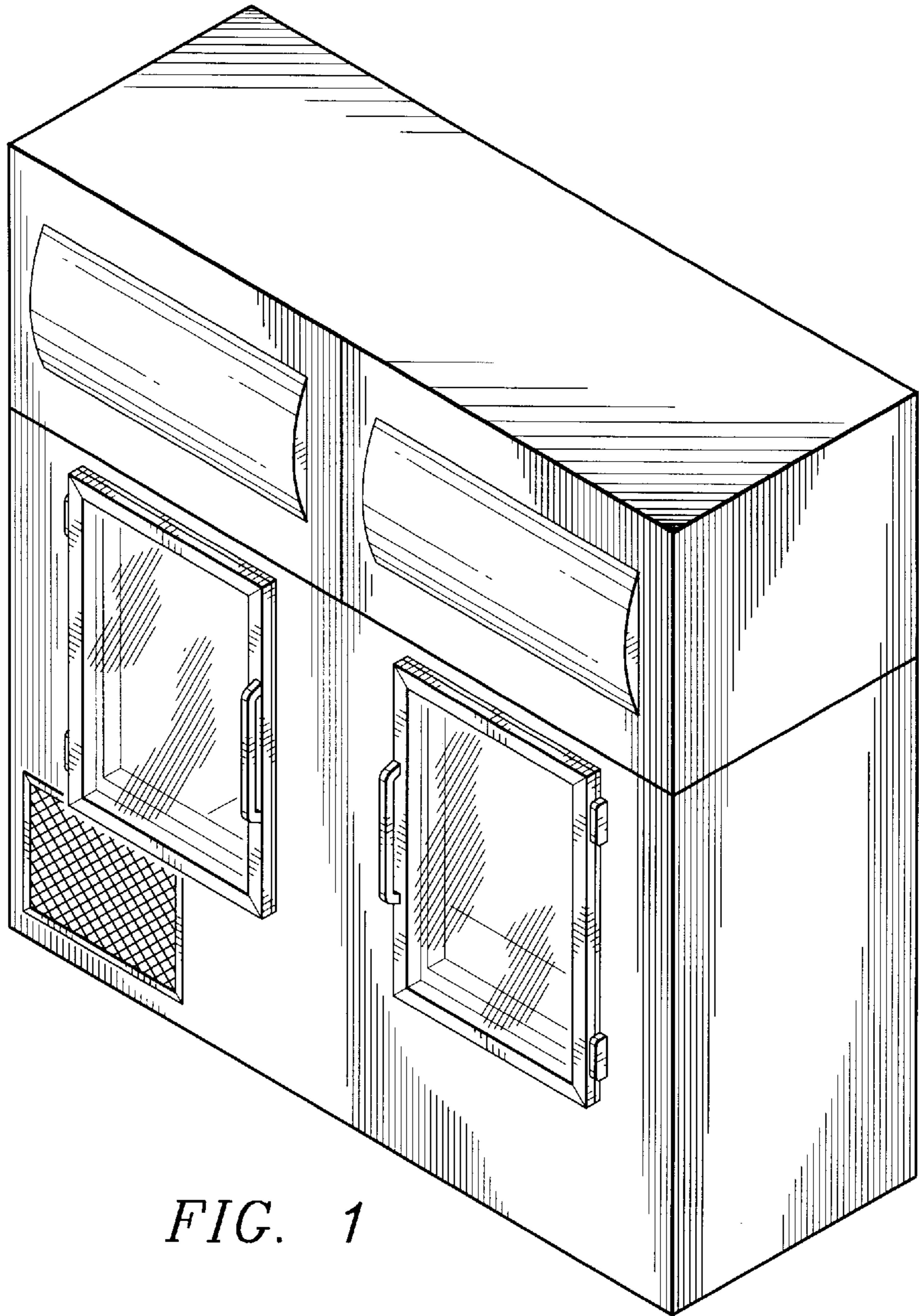


FIG. 1

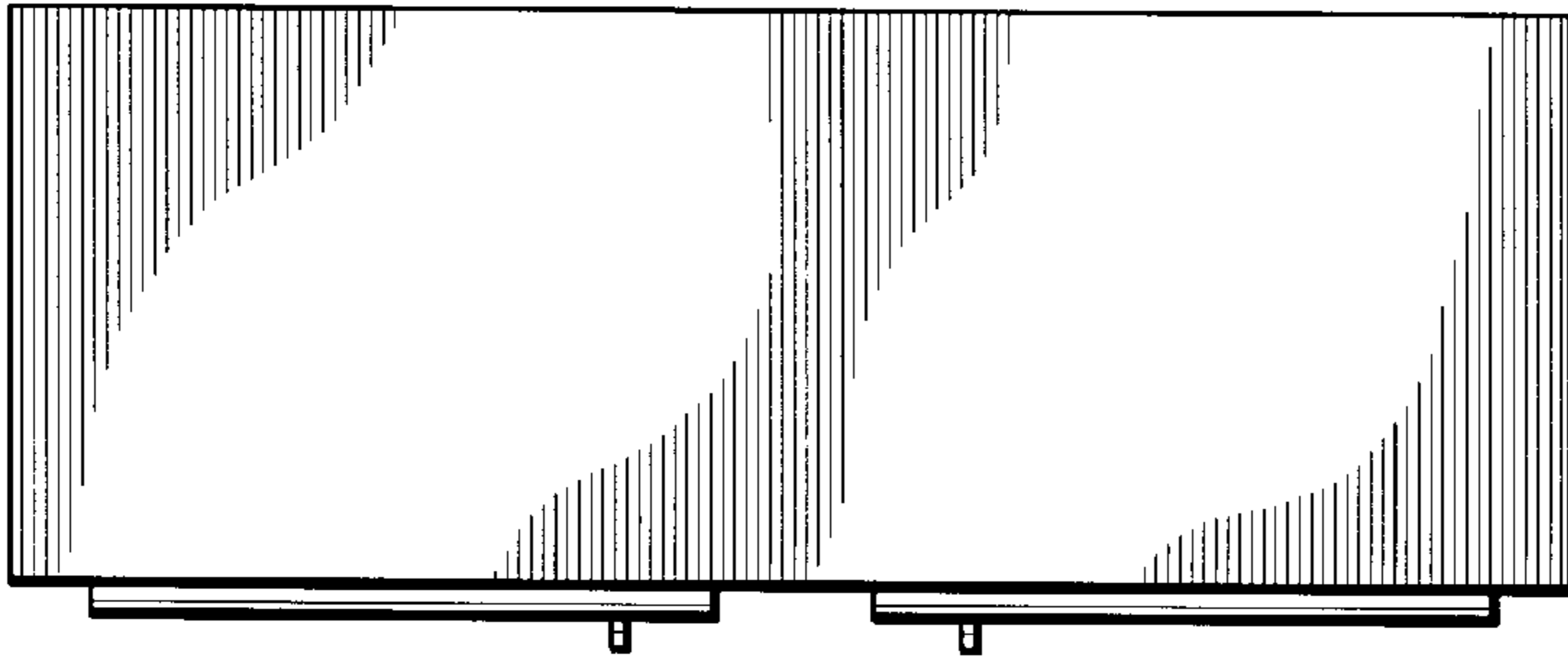


FIG. 4

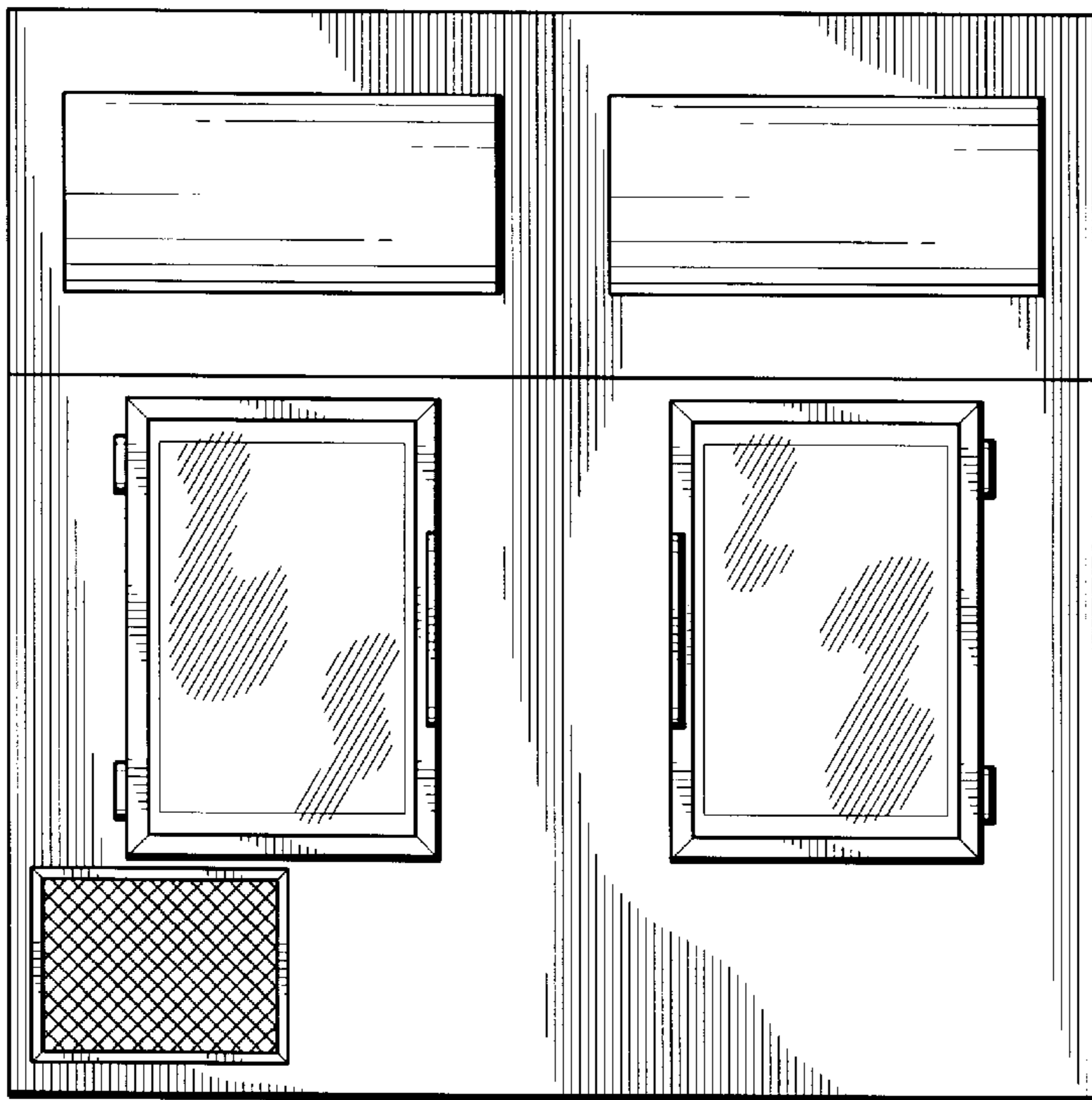


FIG. 2

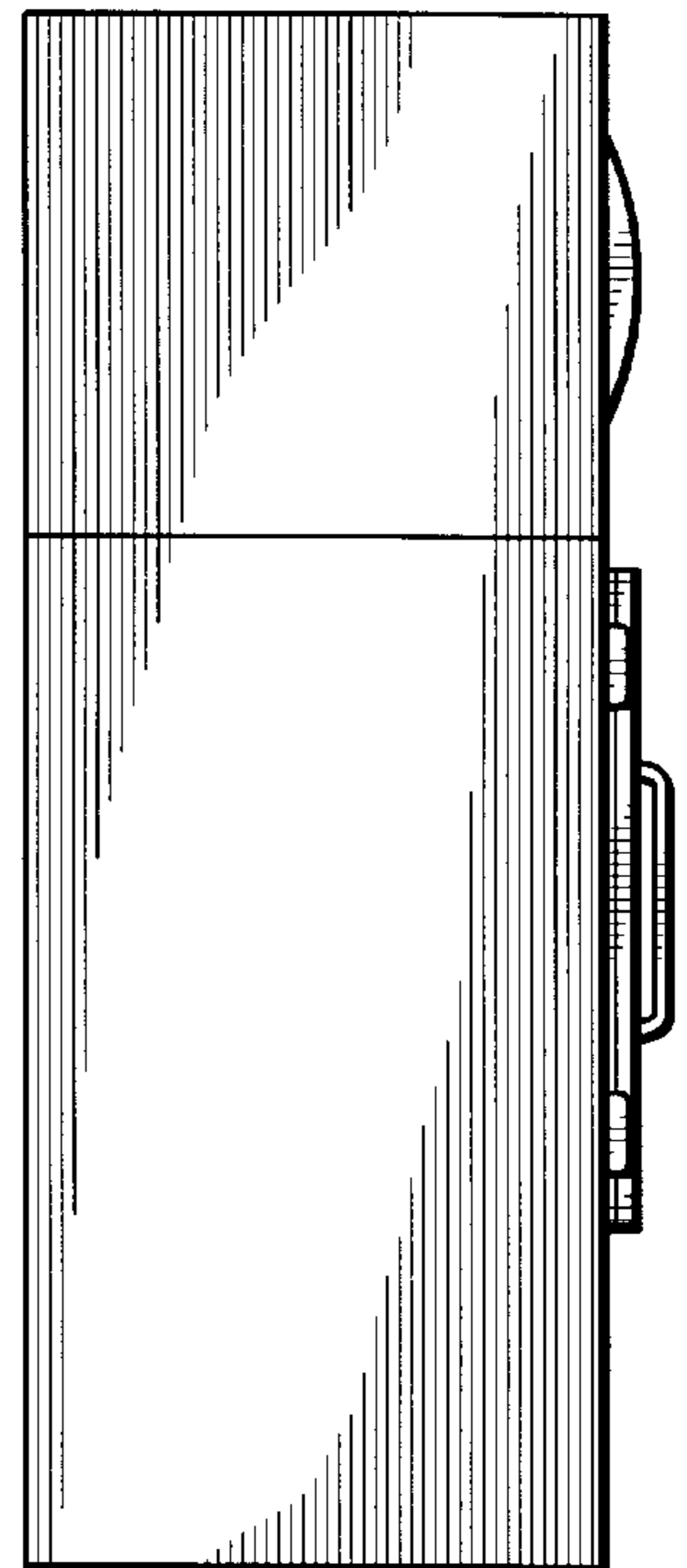


FIG. 3

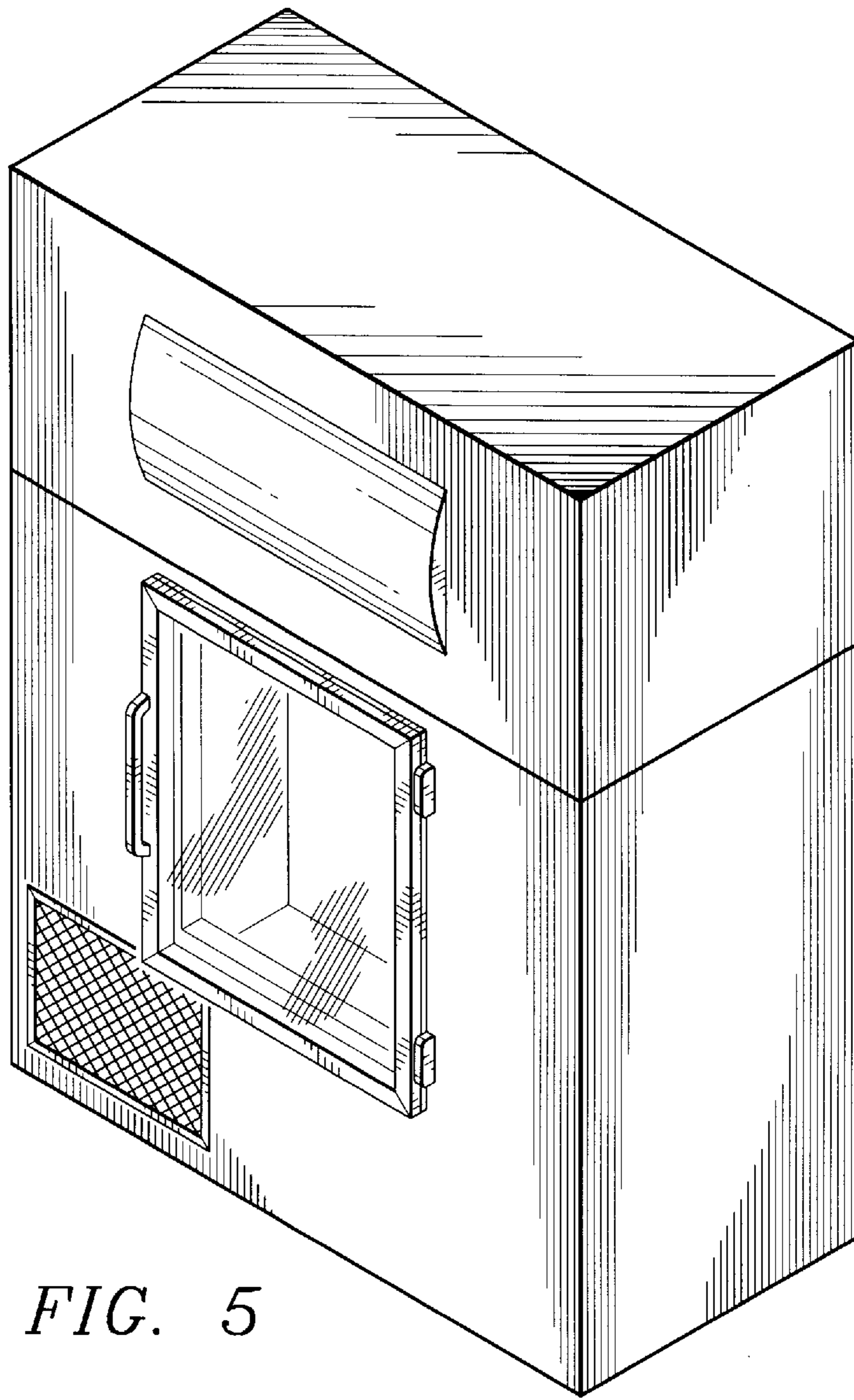


FIG. 5