



US00D407091S

# United States Patent [19]

Nagele et al.

[11] **Patent Number: Des. 407,091**

[45] **Date of Patent: \*\*Mar. 23, 1999**

[54] **FRONT PANEL FOR A WIRELESS COMMUNICATIONS DEVICE**

4,562,595 12/1985 Bauer et al. .... 455/345

[75] Inventors: **Albert Leo Nagele**, Wilmette, Ill.;  
**Mark David Summers**; **Vicki Leigh Louck**, both of Phoenix, Ariz.

*Primary Examiner*—Ted Shooman  
*Assistant Examiner*—Nanda Bondade  
*Attorney, Agent, or Firm*—Bradley J. Botsch, Sr.

[73] Assignee: **Motorola, Inc.**, Schaumburg, Ill.

[57] **CLAIM**

[\*\*] Term: **14 Years**

The ornamental design for the front panel for a wireless communication device, as shown and described.

[21] Appl. No.: **86,381**

**DESCRIPTION**

[22] Filed: **Apr. 13, 1998**

[51] **LOC (6) Cl.** ..... **14-01**

[52] **U.S. Cl.** ..... **D14/257**

[58] **Field of Search** ..... D14/124, 137,  
D14/138, 139, 157, 188, 191, 217, 257,  
258, 299; 455/89, 90, 345-347

FIG. 1 is a top, front, and right perspective view;  
FIG. 2 is a left side elevation view thereof;  
FIG. 3 is a bottom plan view thereof; and,  
FIG. 4 is a rear elevation view thereof.

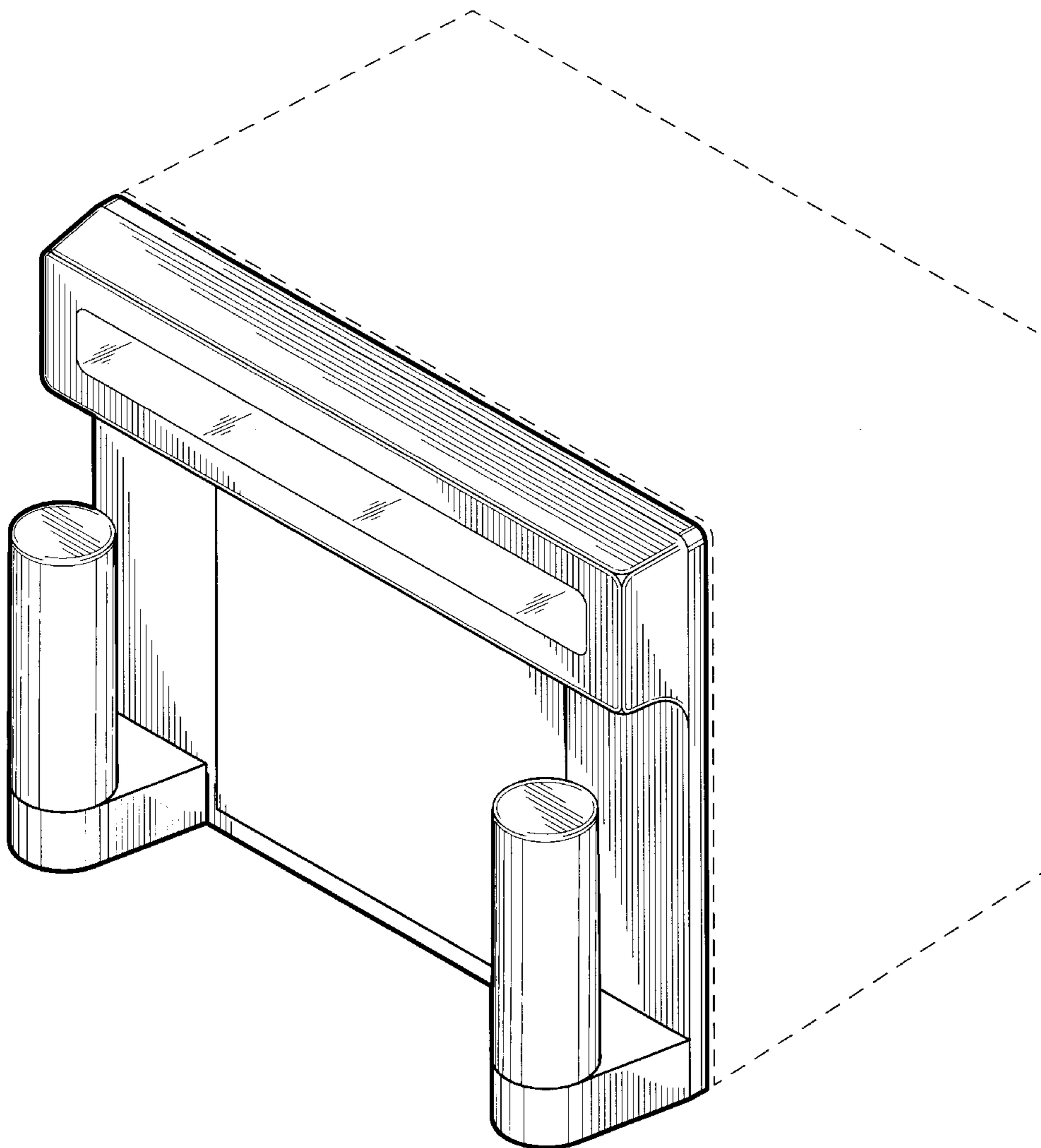
The broken line showing of FIG. 1 is for illustrative purposes only and forms no part of the claimed design.

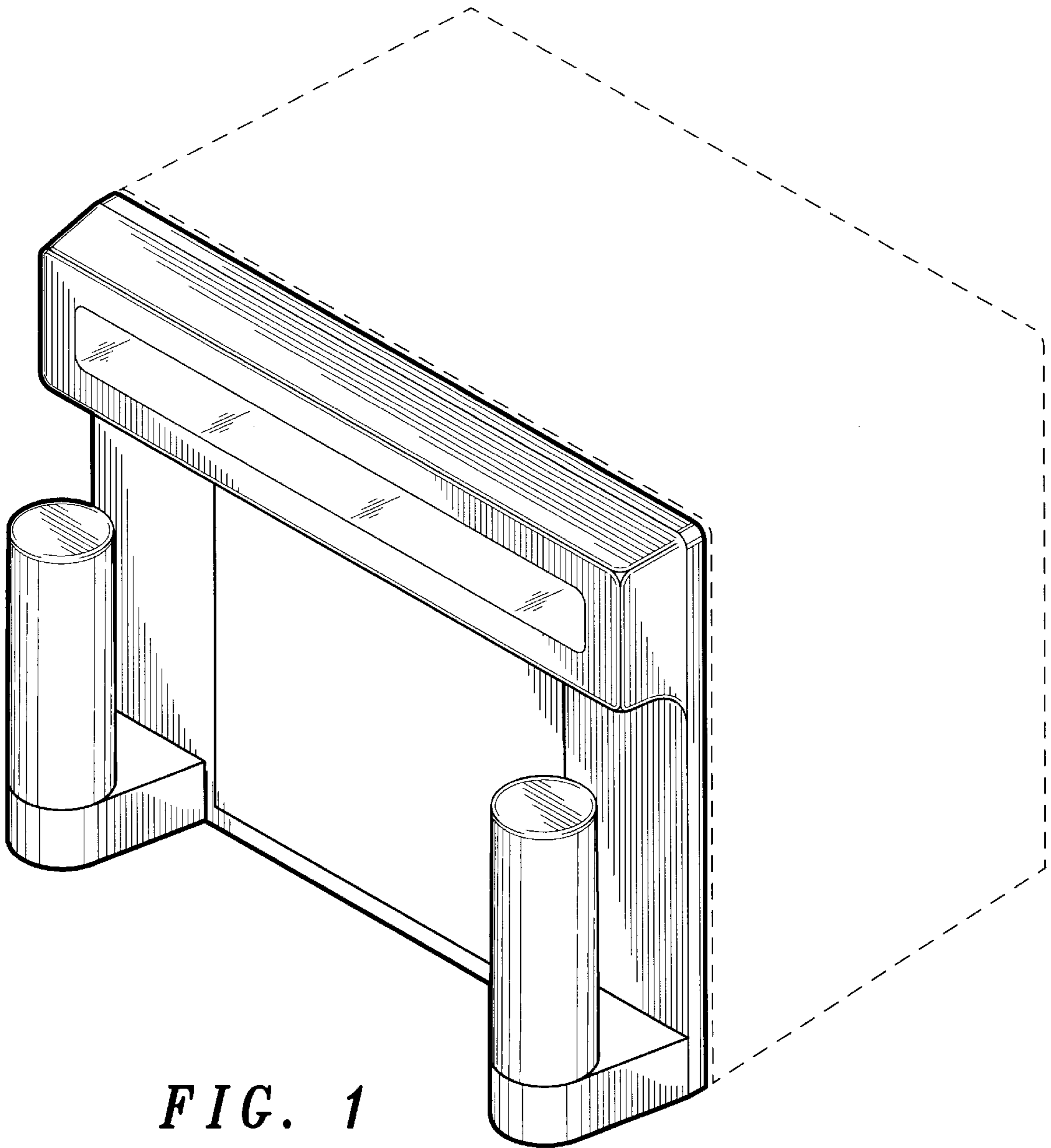
[56] **References Cited**

**U.S. PATENT DOCUMENTS**

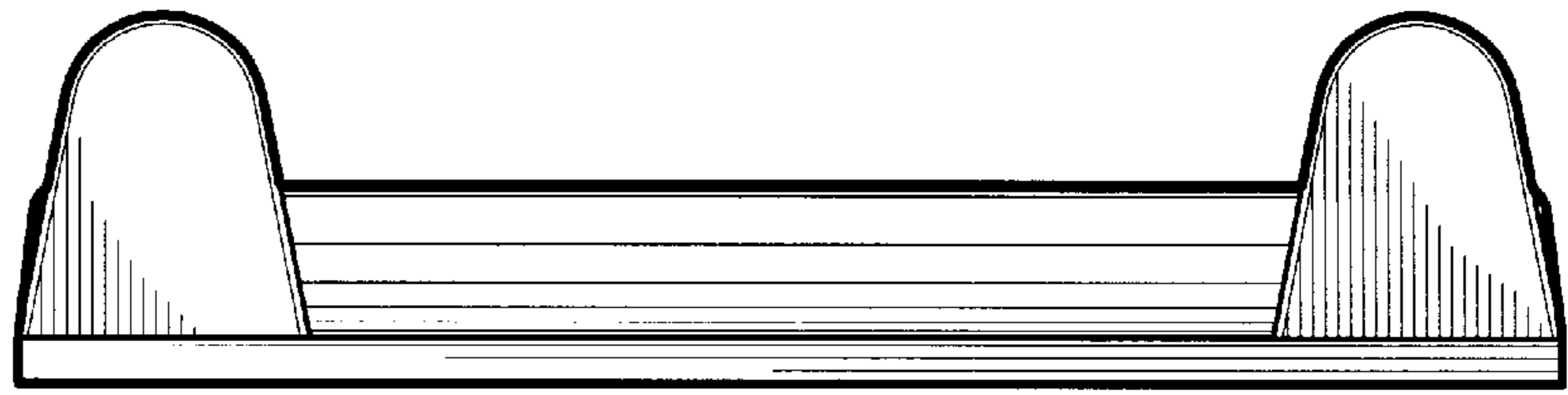
D. 158,195 4/1950 Hudson ..... D14/257

**1 Claim, 2 Drawing Sheets**

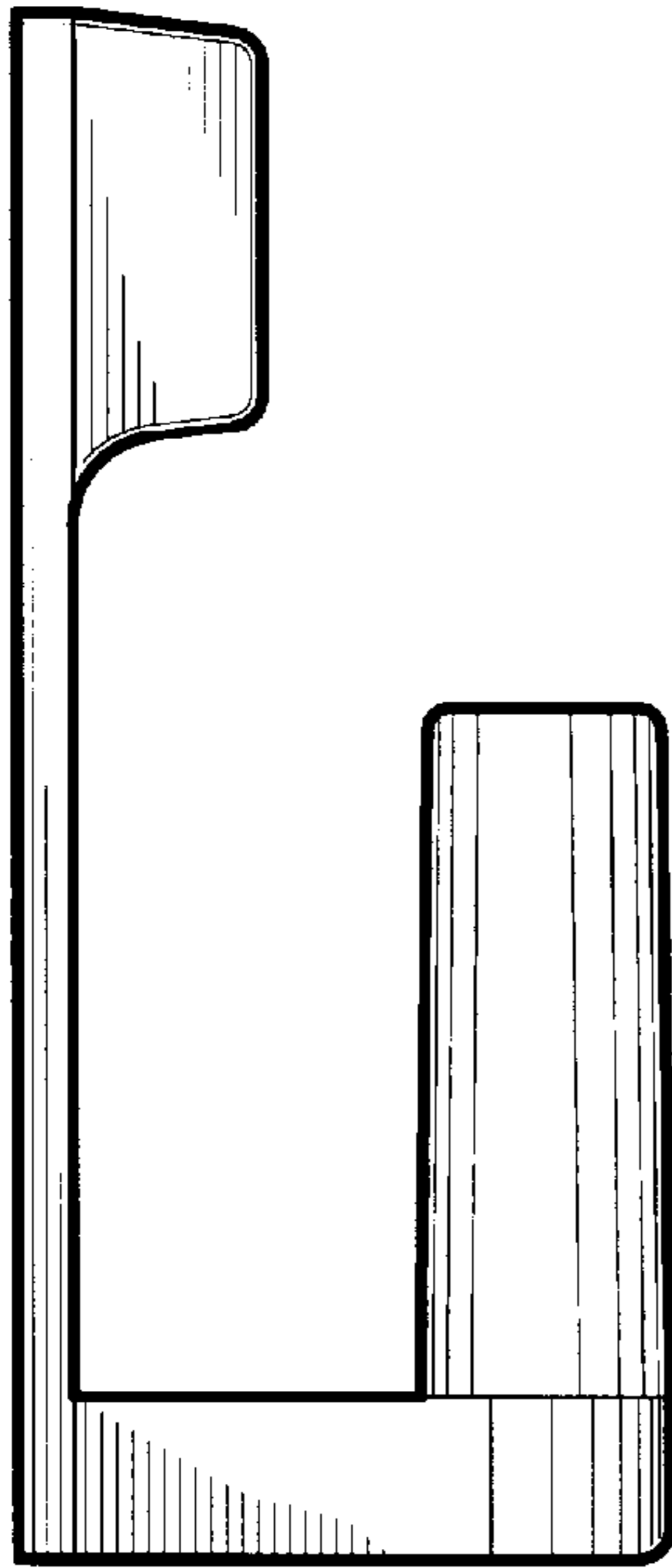




*FIG. 1*



*FIG. 3*



*FIG. 2*

*FIG. 4*

