



US00D407086S

United States Patent [19] Rosen

[11] **Patent Number: Des. 407,086**

[45] **Date of Patent: **Mar. 23, 1999**

[54] **MONITOR**

5,467,106 11/1995 Salomon 345/905 X
5,743,487 4/1998 Rice 244/118.5 X

[75] Inventor: **John B. Rosen**, Eugene, Oreg.

[73] Assignee: **Rosen Product Development, Inc.**,
Eugene, Oreg.

[**] Term: **14 Years**

Primary Examiner—Ted Shooman
Assistant Examiner—Richelle Shelton
Attorney, Agent, or Firm—Kolisch, Hartwell, Dickinson,
McCormack & Heuser

[21] Appl. No.: **85,561**

[22] Filed: **Mar. 25, 1998**

[51] **LOC (6) Cl. 14-03**

[52] **U.S. Cl. D14/132; D14/113**

[58] **Field of Search** D14/113, 124-134;
D6/513; D8/380; D12/345, 415, 418; D16/235;
D19/60; D21/329; D24/158; 108/44, 137;
244/118.5; 248/917-924; 312/7.2; 340/995;
345/905; 348/148, 825, 827, 836-838, 840

[57] CLAIM

The ornamental design for a monitor, as shown and described.

DESCRIPTION

FIG. 1 is an isometric view of a monitor constructed in accordance with the present invention, the monitor being shown in a deployed orientation;

FIG. 2 is an isometric view similar to that of FIG. 1, but with the monitor in a stowed orientation;

FIG. 3 is a front elevation view of a monitor such as that shown in FIG. 1, the monitor being shown in a deployed orientation;

FIG. 4 is a rear elevation view thereof;

FIG. 5 is a bottom view thereof; and,

FIG. 6 is a left-side view thereof, the right-side view being a mirror image thereof.

The broken line showing in FIGS. 1-6 is for illustrative purposes only and forms no part of the claimed design.

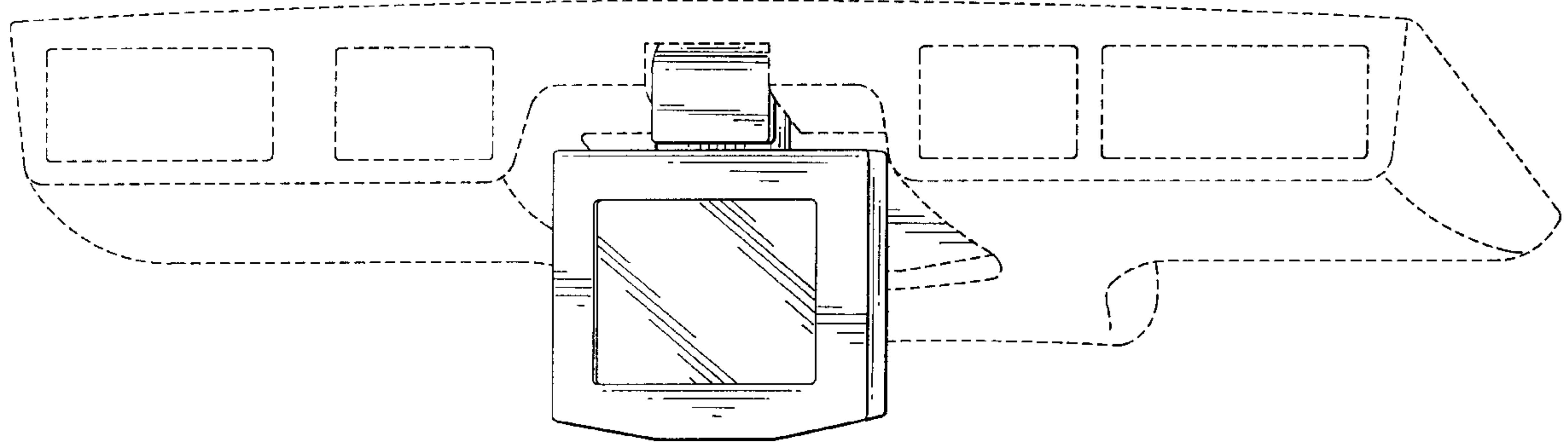
The areas of the monitor not disclosed are not claimed.

[56] References Cited

U.S. PATENT DOCUMENTS

D. 366,067	1/1996	Mowrey	D21/329
D. 390,219	2/1998	Rosen	D14/132
D. 395,458	6/1998	Smith et al.	D21/329
4,438,458	3/1984	Munscher	.	
4,504,910	3/1985	Araki et al.	340/995
4,749,364	6/1988	Arney et al.	.	
4,843,477	6/1989	Mizutani et al.	.	
5,161,028	11/1992	Kawata et al.	.	

1 Claim, 4 Drawing Sheets



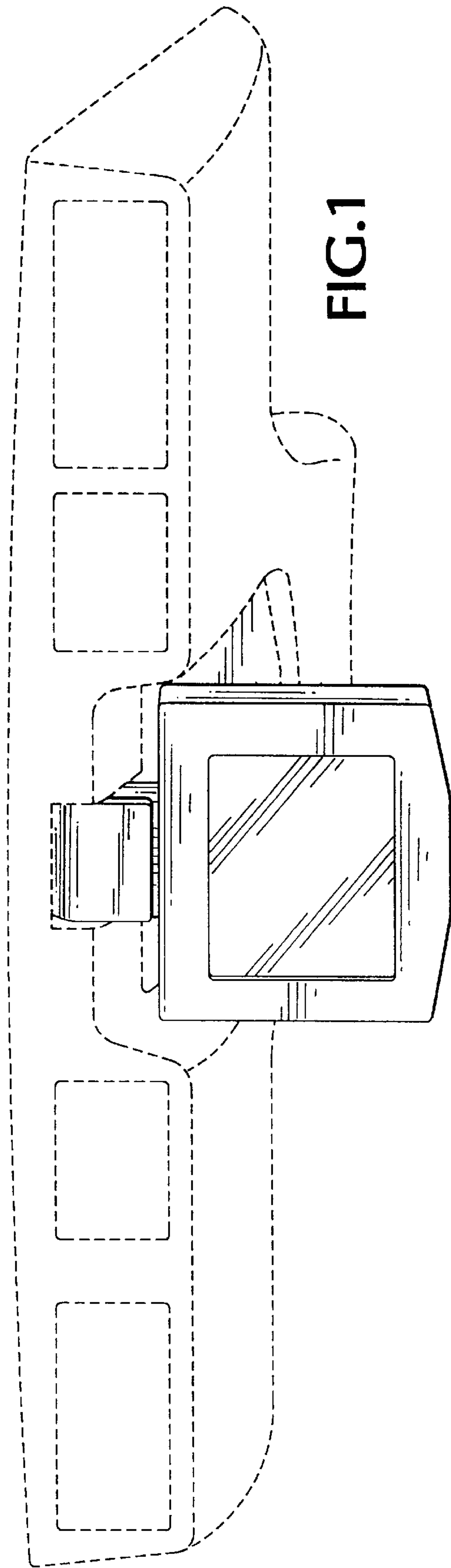


FIG. 1

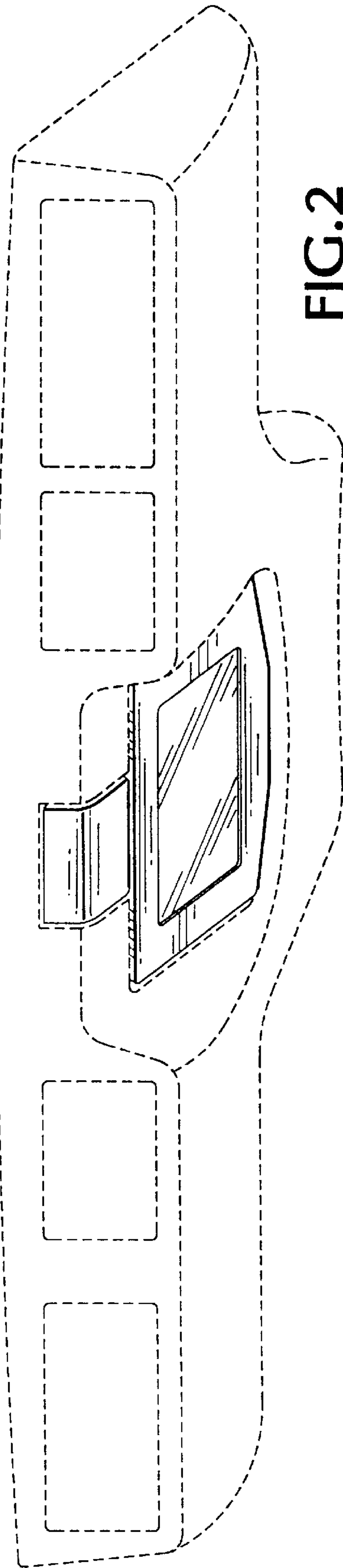
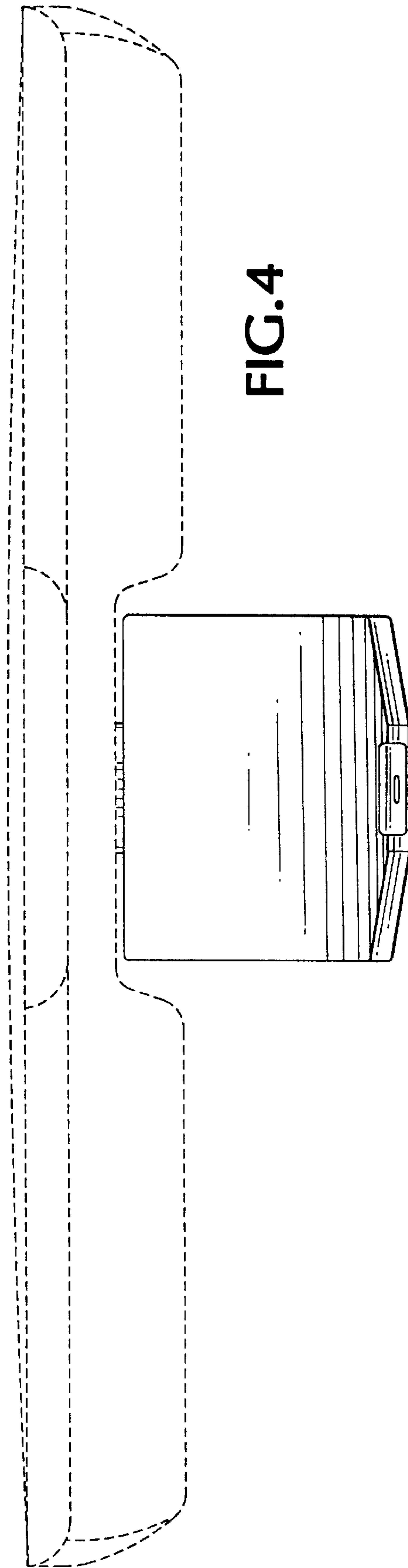
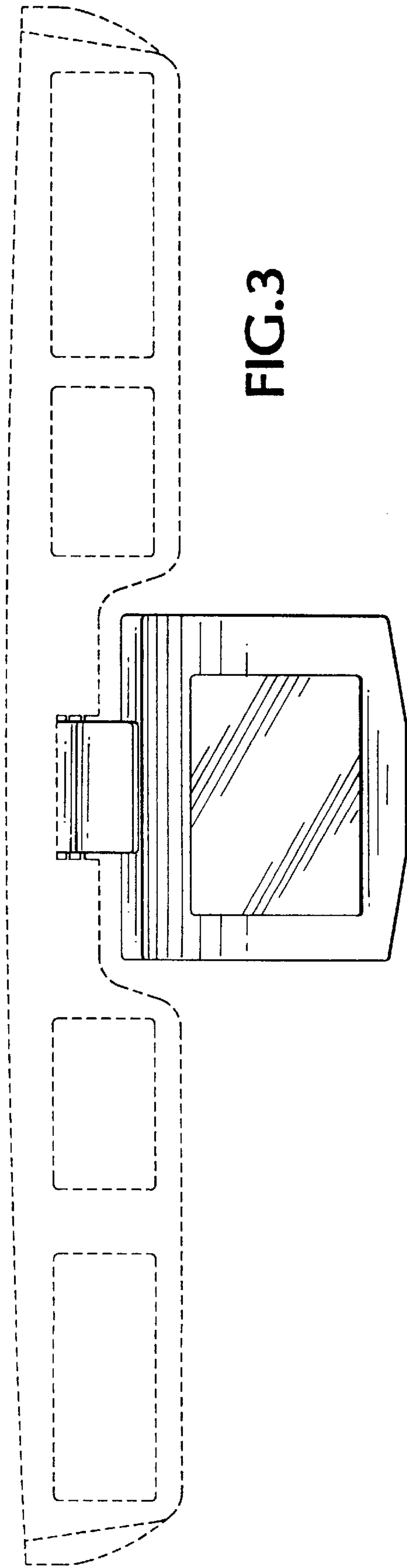


FIG. 2



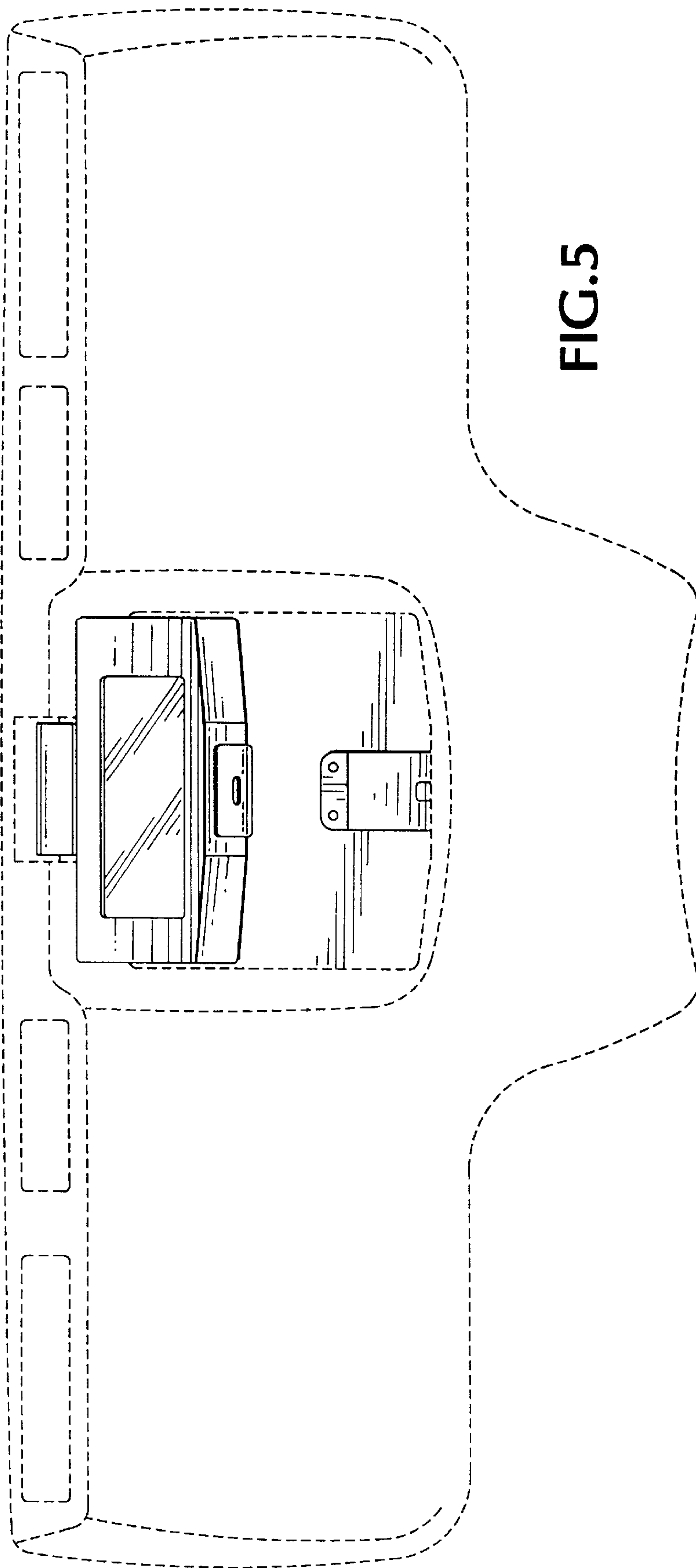


FIG. 5

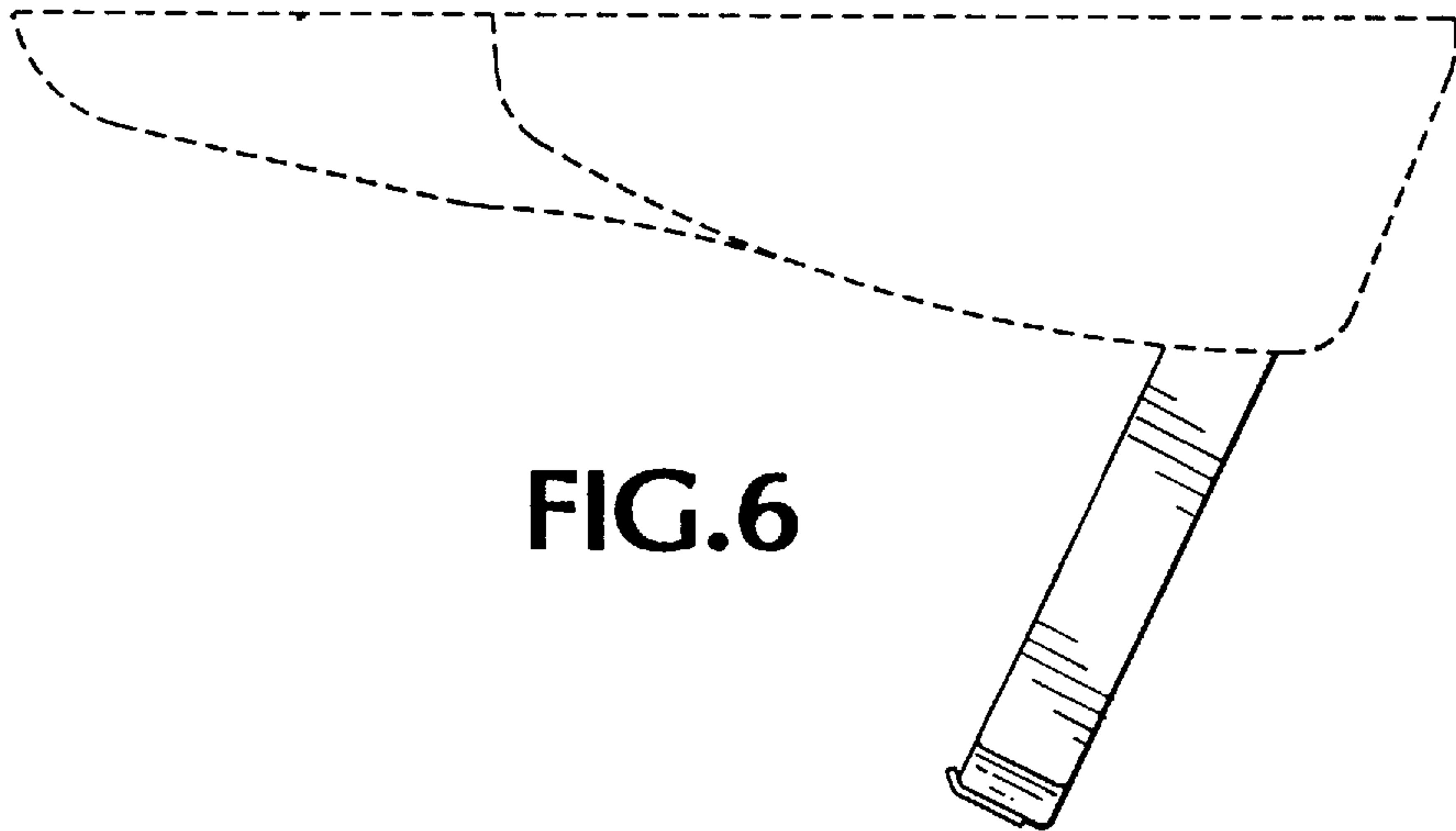


FIG. 6