

US00D407083S

United States Patent [19] Yamamizu

[11] Patent Number: **Des. 407,083**

[45] Date of Patent: ****Mar. 23, 1999**

[54] **FACSIMILE MACHINE**

[75] Inventor: **Hiroshi Yamamizu**, Nara-ken, Japan

[73] Assignee: **Sharp Kabushiki Kaisha**, Osaka, Japan

[**] Term: **14 Years**

[21] Appl. No.: **81,653**

[22] Filed: **Jan. 7, 1998**

[30] Foreign Application Priority Data

Jul. 7, 1997 [JP] Japan 9-60871

[51] **LOC (6) Cl.** **16-03**

[52] **U.S. Cl.** **D14/118**

[58] **Field of Search** D14/118, 299,
D14/124; 358/400, 401, 402; D18/36, 37

[56] References Cited

U.S. PATENT DOCUMENTS

- D. 314,931 2/1991 Takayama et al. D14/118
- D. 322,608 12/1991 Makidera D14/118
- D. 323,159 1/1992 Iwasaki et al. D14/118
- D. 332,094 12/1992 Sawada et al. .
- D. 339,333 9/1993 Sawada et al. .
- D. 355,178 2/1995 Sawada et al. .
- D. 355,179 2/1995 Sawada et al. .
- D. 357,677 4/1995 Sawada et al. .
- D. 361,994 9/1995 Sawada et al. .
- D. 363,713 10/1995 Kanari et al. .

- D. 368,259 3/1996 Bishop et al. D14/118
- D. 376,793 12/1996 Satoh et al. .
- D. 383,742 9/1997 Sawada et al. .
- D. 385,266 10/1997 Matsushima .
- D. 386,490 11/1997 Fujimoto .
- 4,872,061 10/1989 Uchiyama 358/400
- 5,172,243 12/1992 Hayashi et al. 358/400
- 5,183,431 2/1993 Todokoro 358/400 X
- 5,337,165 8/1994 Rioussset et al. 358/401 X

OTHER PUBLICATIONS

Panfax Brochure, 1994.
Radioshack 1991 Catalog, p. 4, 1991.

Primary Examiner—Prabhakar G. Deshmukh
Attorney, Agent, or Firm—Nixon & Vanderhye

[57] CLAIM

The ornamental design for a “facsimile machine,” as shown and described.

DESCRIPTION

FIG. 1 is a top, front and right side perspective view of a facsimile machine according to my design;
FIG. 2 is a top plan view thereof;
FIG. 3 is a front elevational view thereof;
FIG. 4 is a right side elevational view thereof;
FIG. 5 is a left side elevational view thereof;
FIG. 6 is a rear elevational view thereof; and,
FIG. 7 is a bottom plan view thereof.

1 Claim, 6 Drawing Sheets

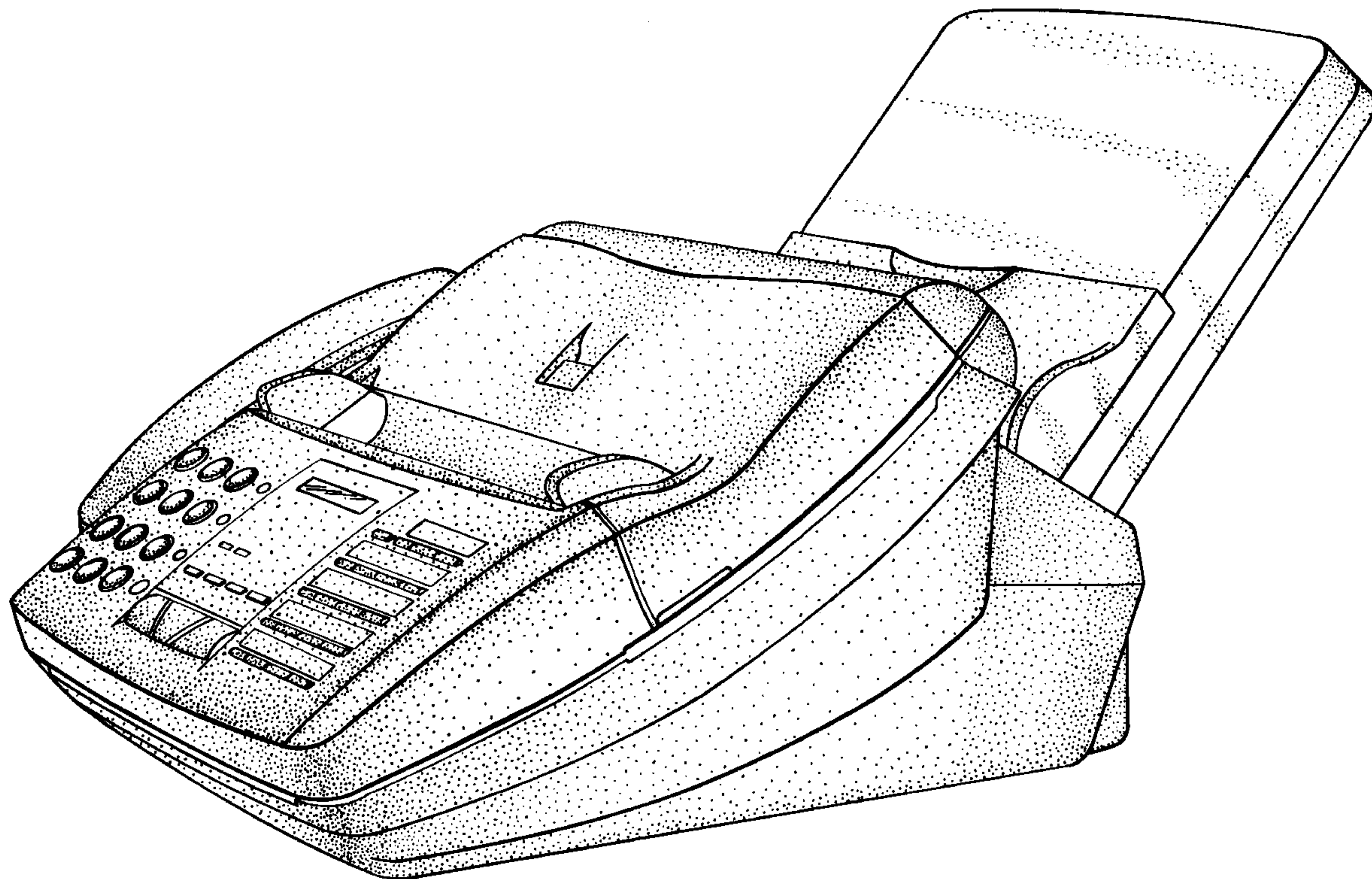


Fig. 1

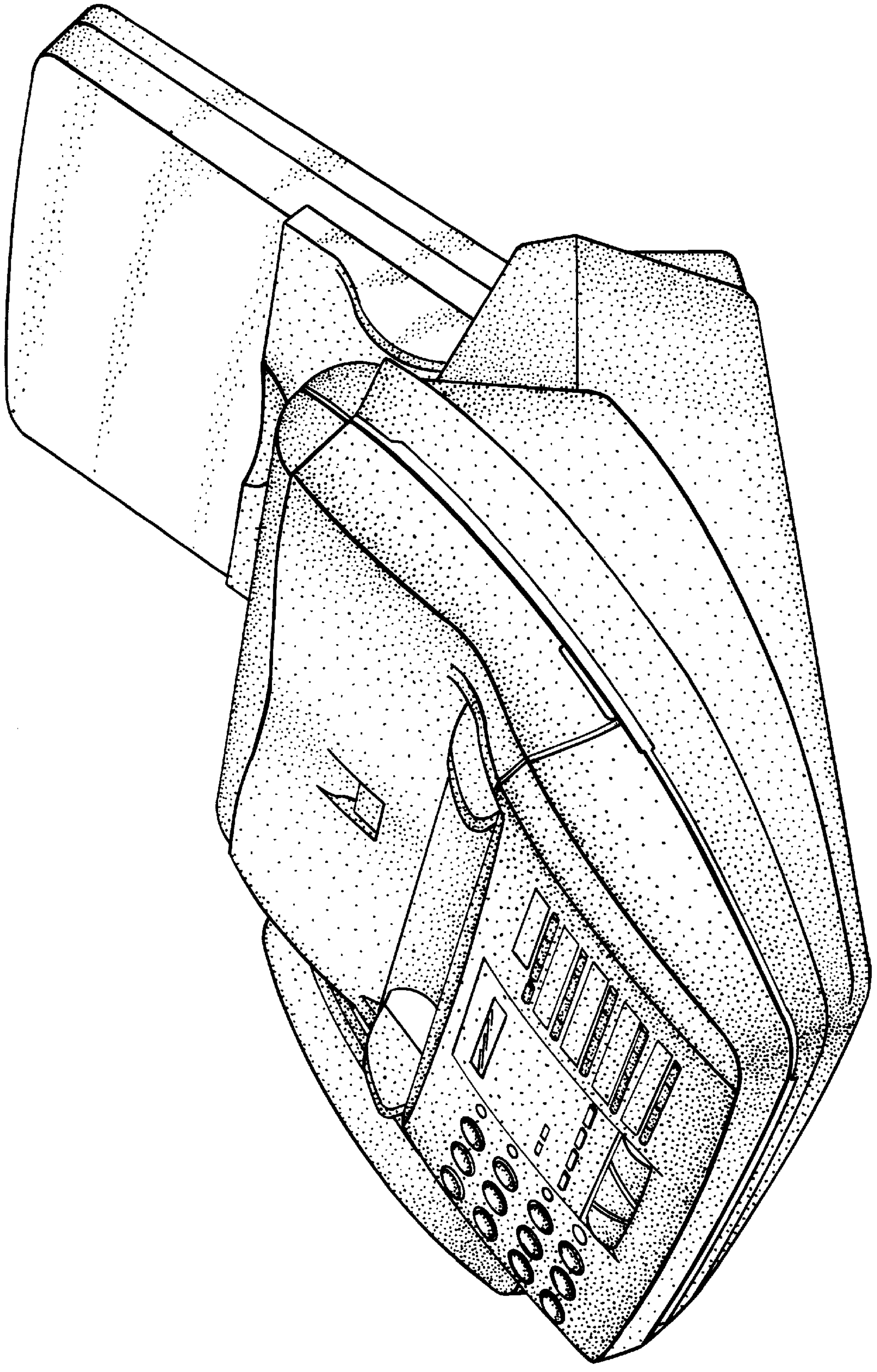


Fig. 2

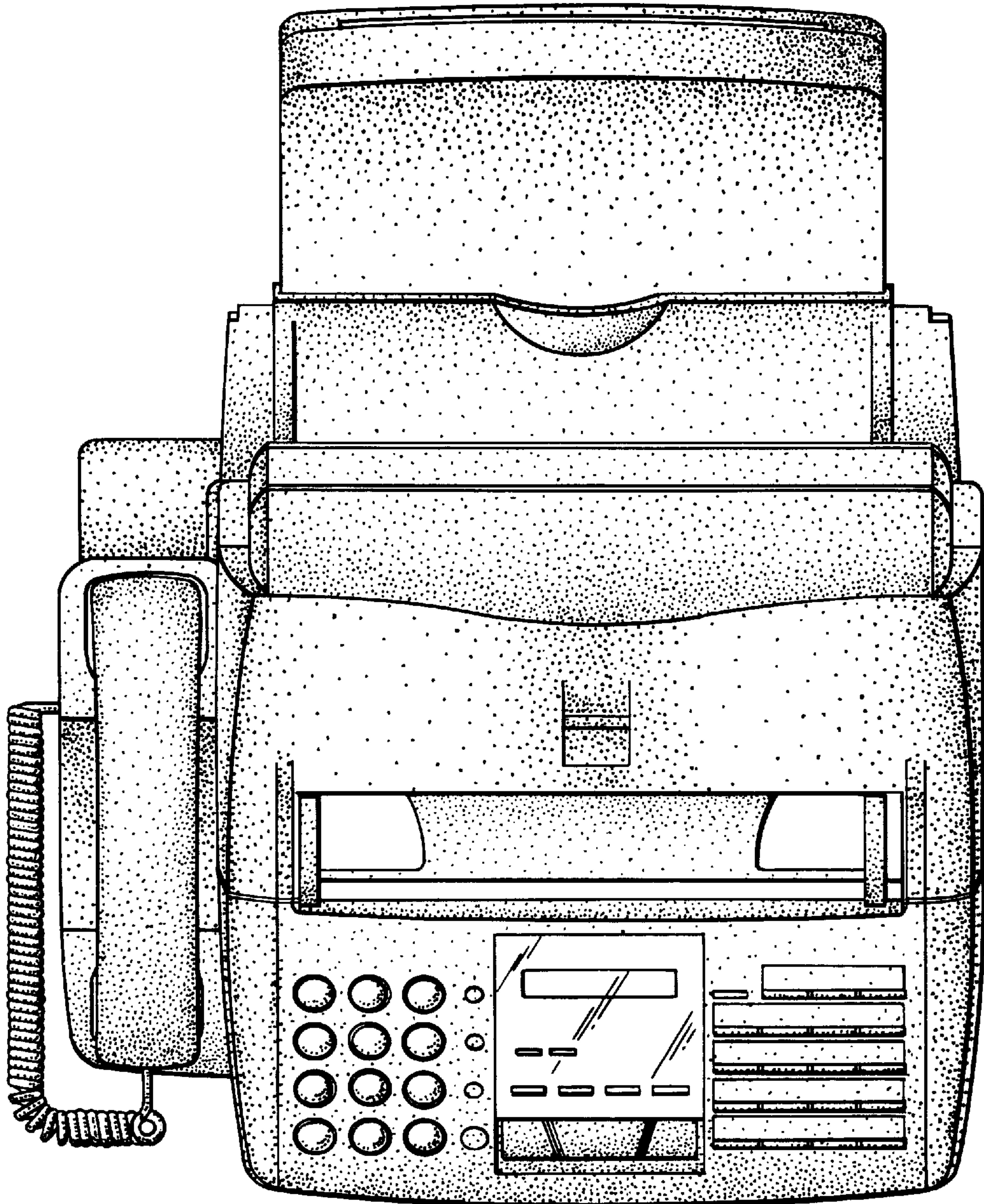


Fig. 3

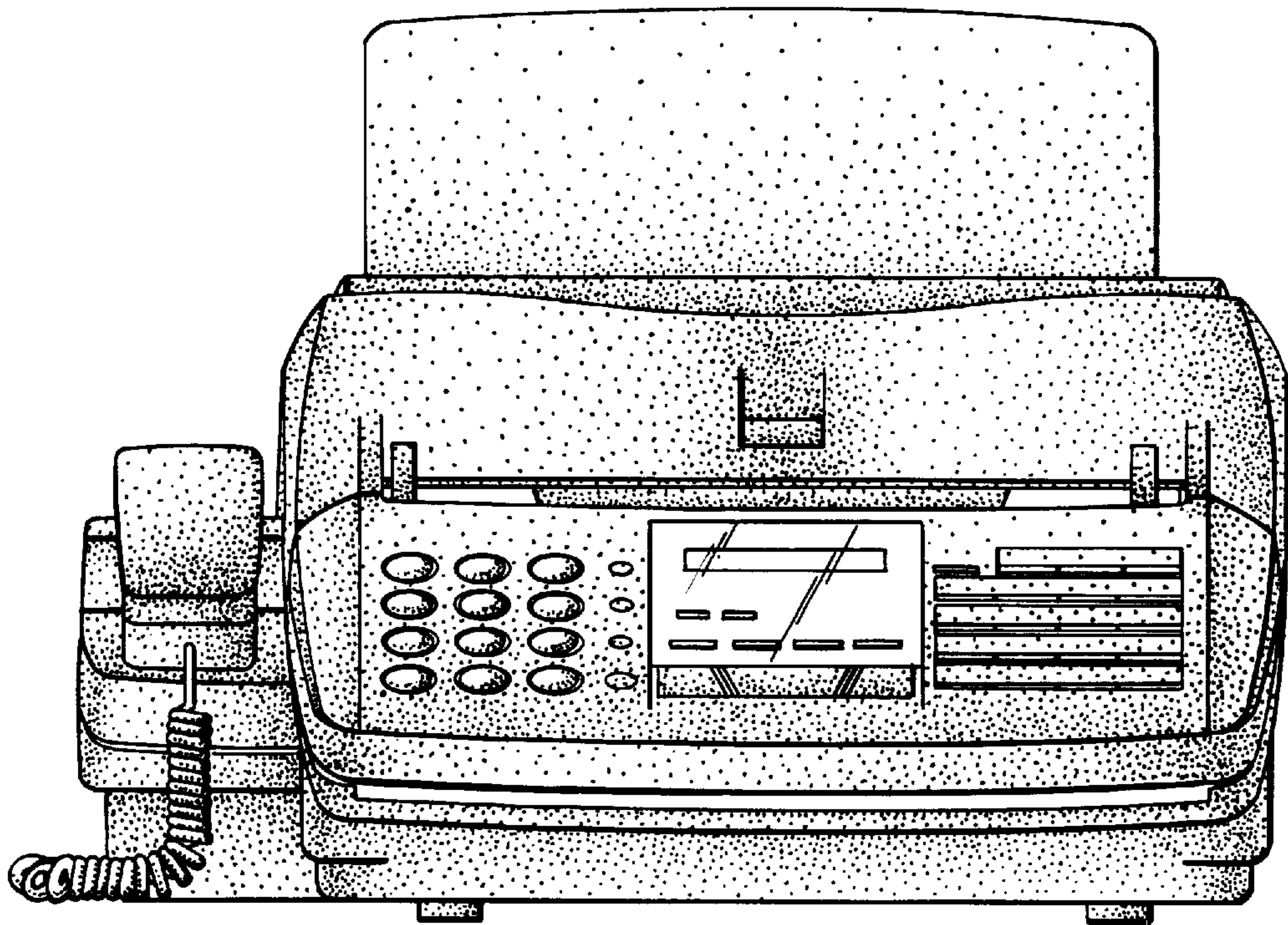


Fig. 4

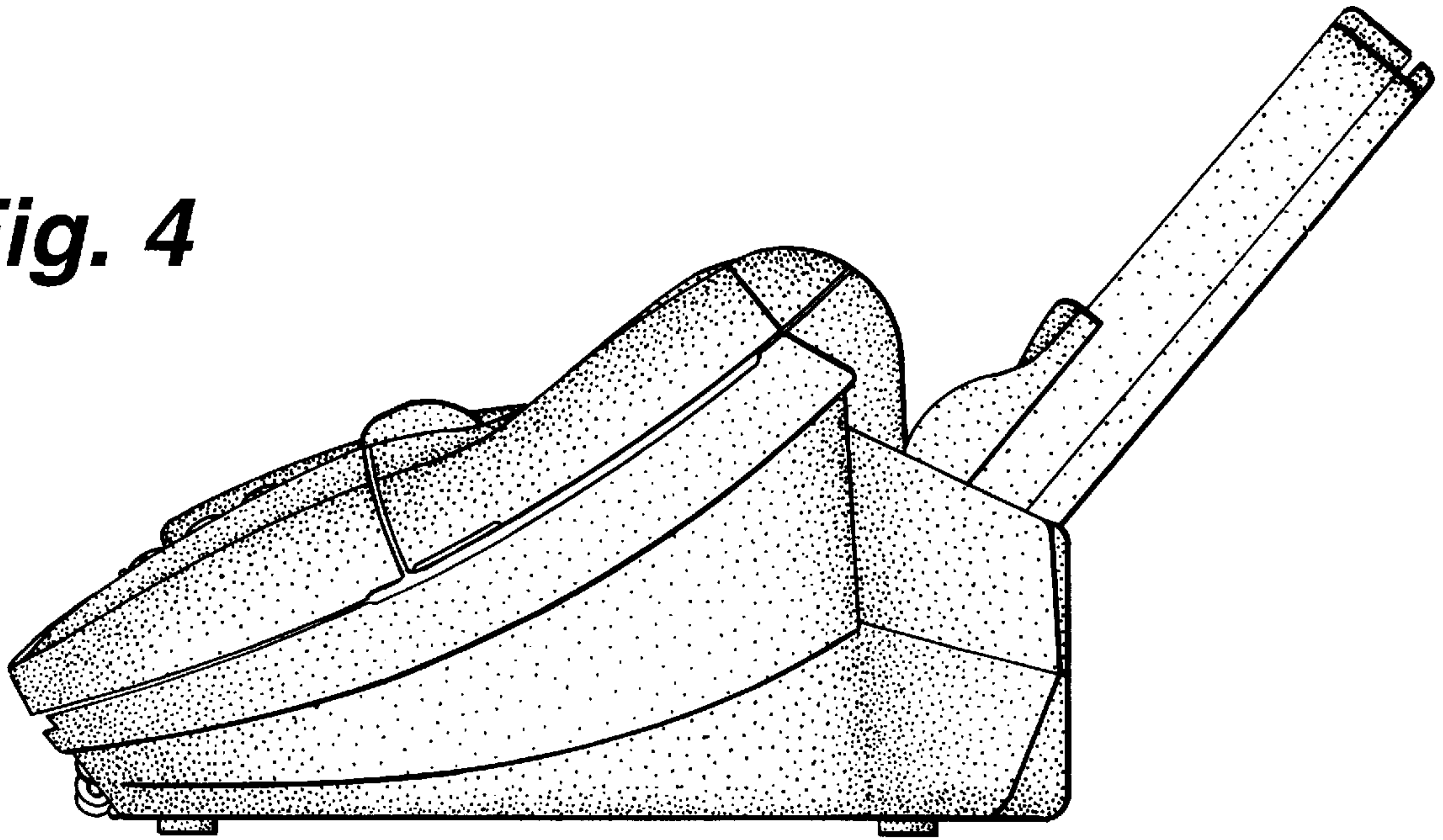


Fig. 5

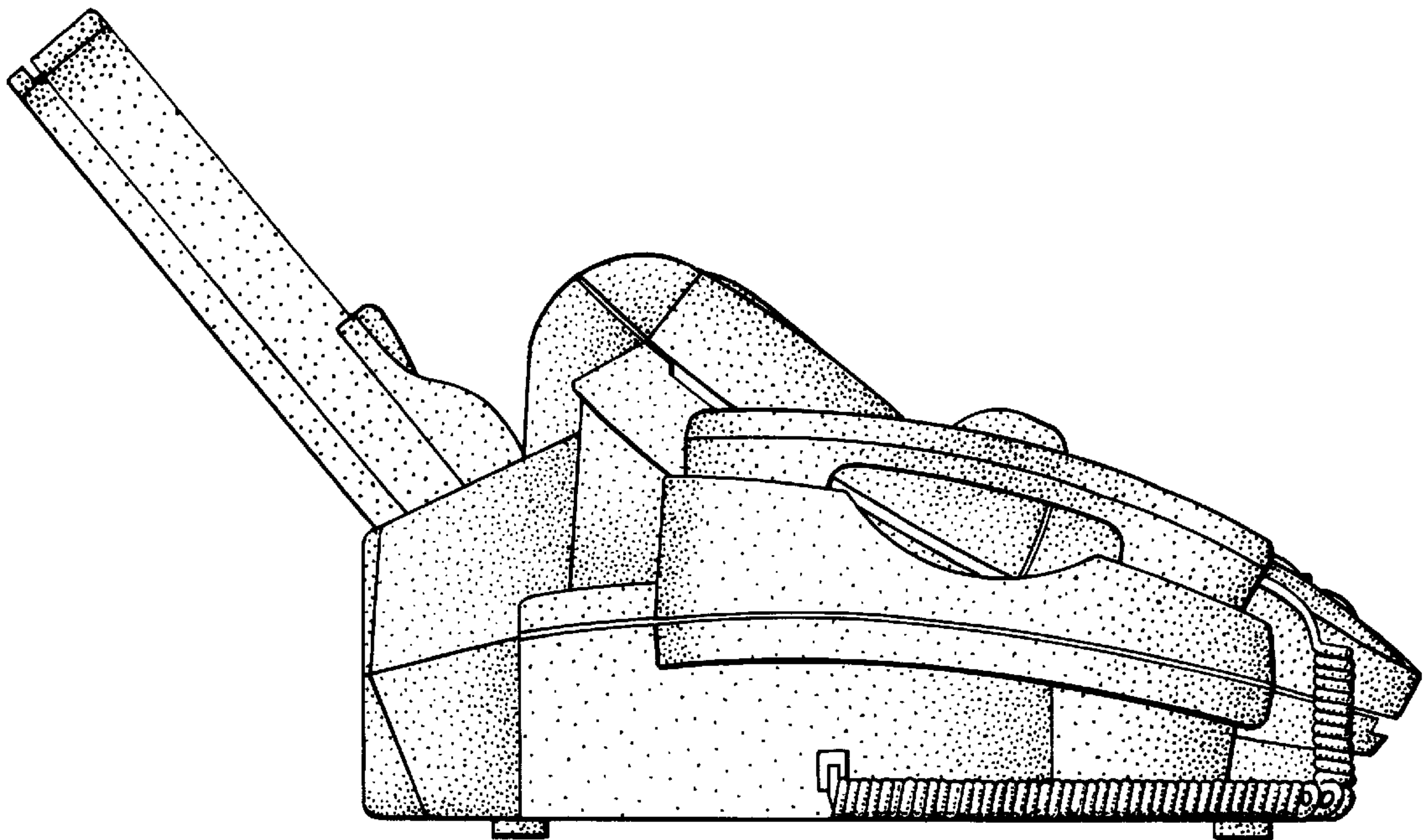


Fig. 6

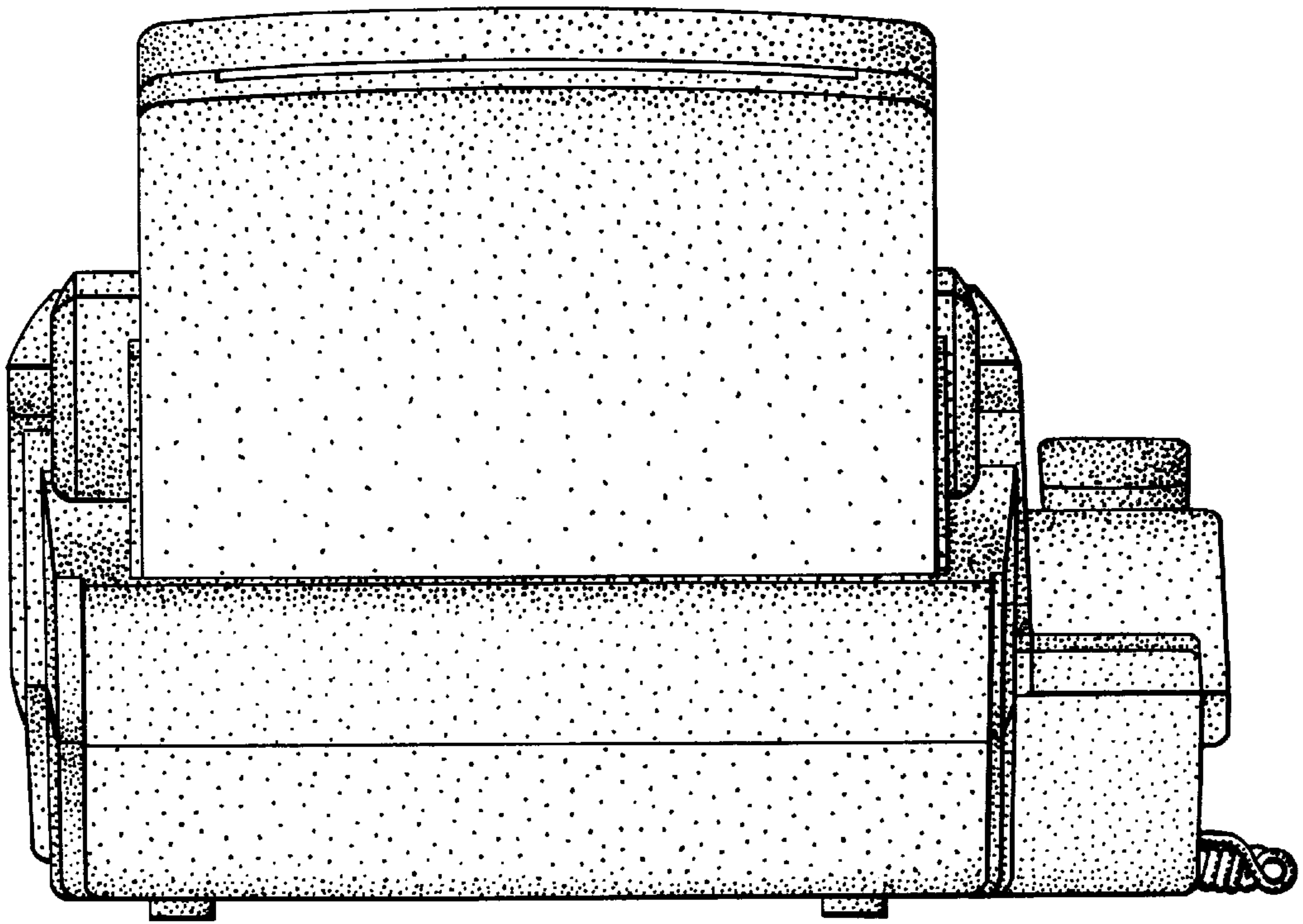


Fig. 7

