



US00D407082S

United States Patent [19] Waler

[11] **Patent Number: Des. 407,082**

[45] **Date of Patent: **Mar. 23, 1999**

[54] **BEZEL FOR MEDIA DRIVE**

[75] Inventor: **Luke Waler**, Loveland, Colo.

[73] Assignee: **Hewlett-Packard Company**, Palo Alto, Calif.

[**] Term: **14 Years**

[21] Appl. No.: **85,469**

[22] Filed: **Mar. 24, 1998**

[51] **LOC (6) Cl.** **14-02**

[52] **U.S. Cl.** **D14/115; D14/257**

[58] **Field of Search** D14/100, 102, D14/107-109, 115, 217, 156, 257, 258, 137; D13/162, 184, 177, 164, 199; D10/103; 312/223.2; 361/600, 622, 724-728

[56] **References Cited**

U.S. PATENT DOCUMENTS

- D. 359,279 6/1995 Fujimura et al. D14/115
- D. 371,776 7/1996 Yang D14/115

Primary Examiner—Freda Nunn

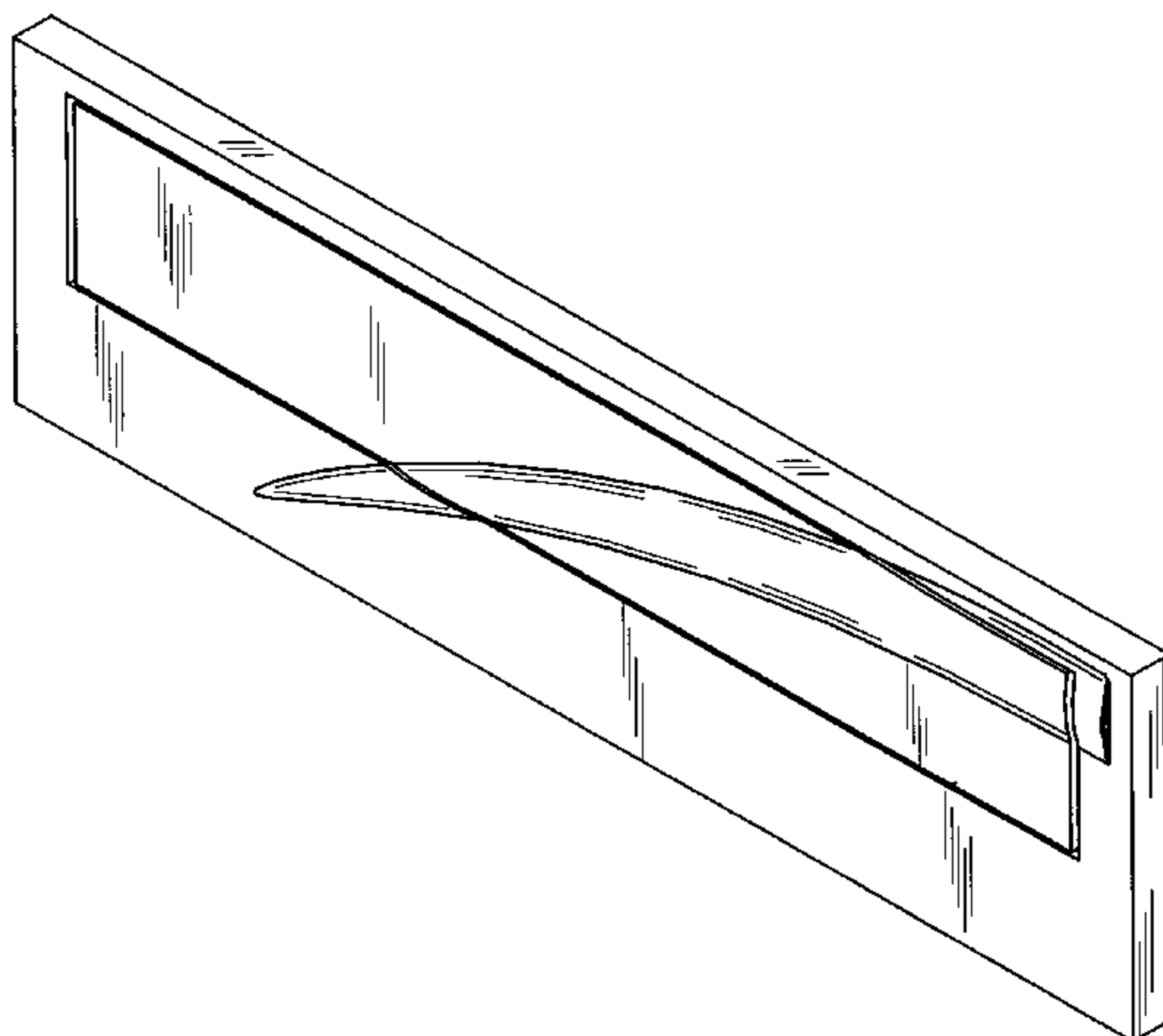
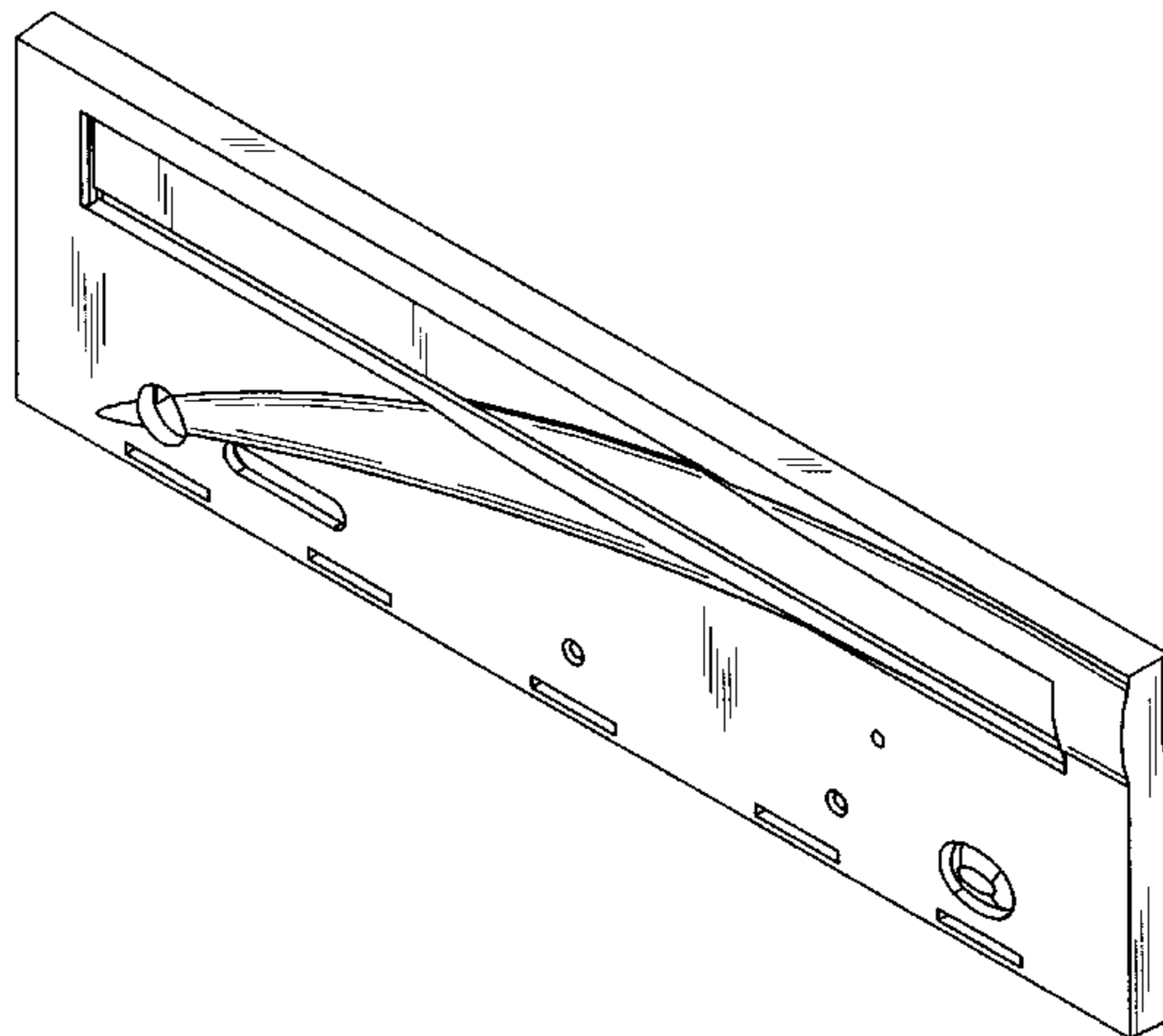
[57] **CLAIM**

The ornamental design for a bezel for media drive, as shown and described.

DESCRIPTION

FIG. 1 is a perspective view of a bezel for media drive showing my new design;
 FIG. 2 is a front elevation view thereof;
 FIG. 3 is a top plan view thereof;
 FIG. 4 is a bottom plan view thereof;
 FIG. 5 is a left side elevation view thereof;
 FIG. 6 is a right side elevation view thereof;
 FIG. 7 is a perspective view of a second embodiment of a bezel for media drive;
 FIG. 8 is a front elevation view of the embodiment of FIG. 7;
 FIG. 9 is a top plan view of the embodiment of FIG. 7;
 FIG. 10 is a bottom plan view of the embodiment of FIG. 7;
 FIG. 11 is a left side elevation view of the embodiment of FIG. 7; and,
 FIG. 12 is a right side elevation view of the embodiment of FIG. 7.

1 Claim, 4 Drawing Sheets



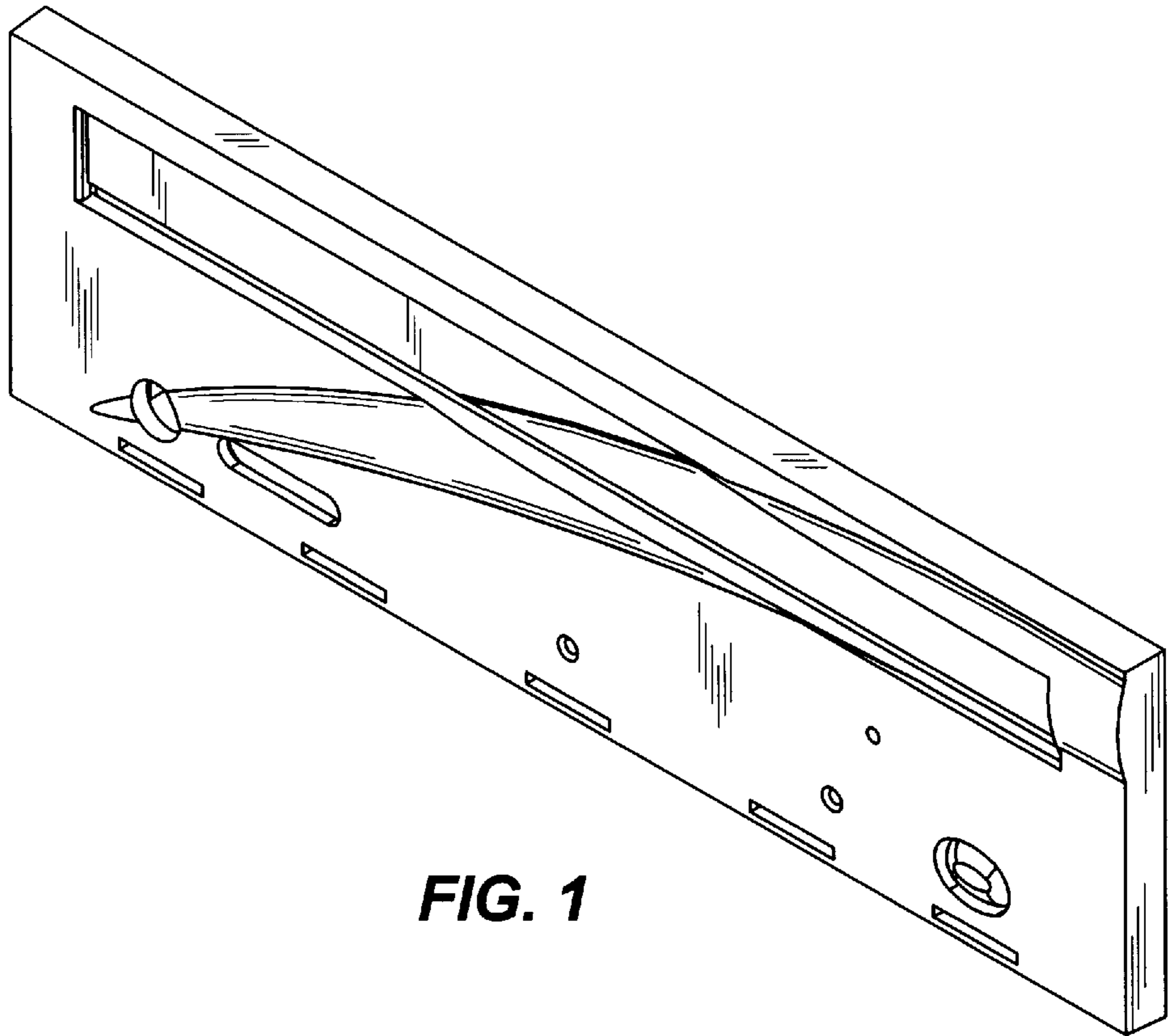


FIG. 1

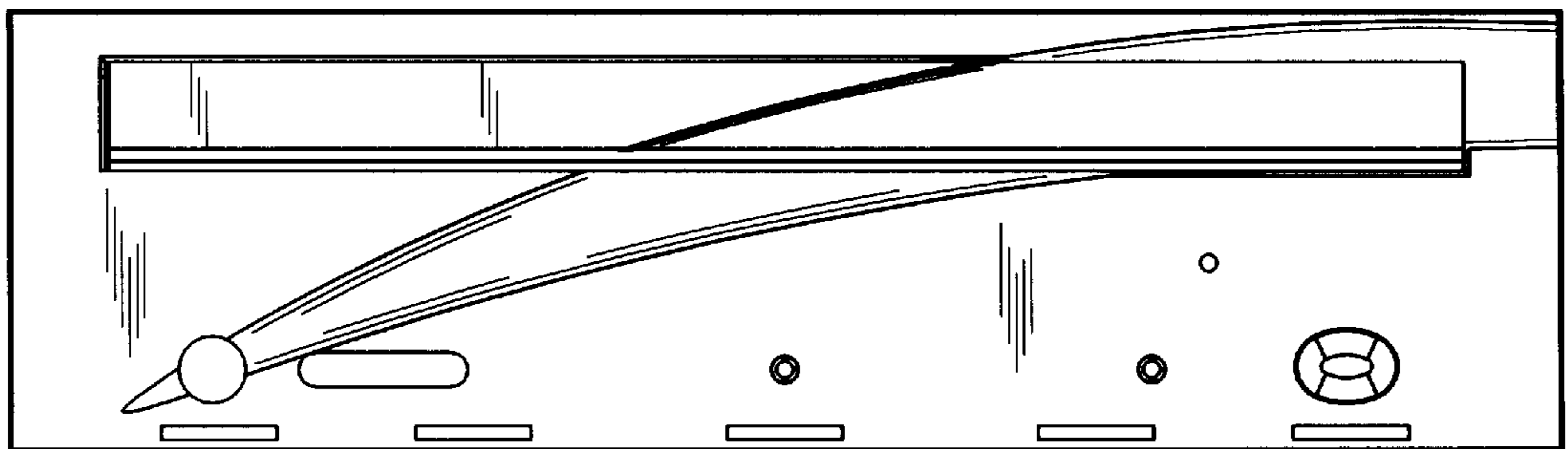


FIG. 2



FIG. 3

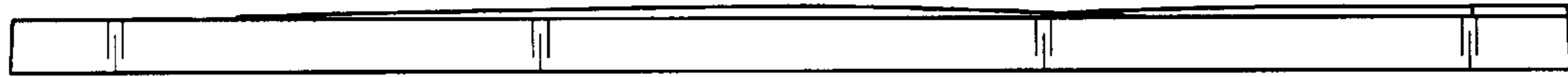


FIG. 4



FIG. 5



FIG. 6

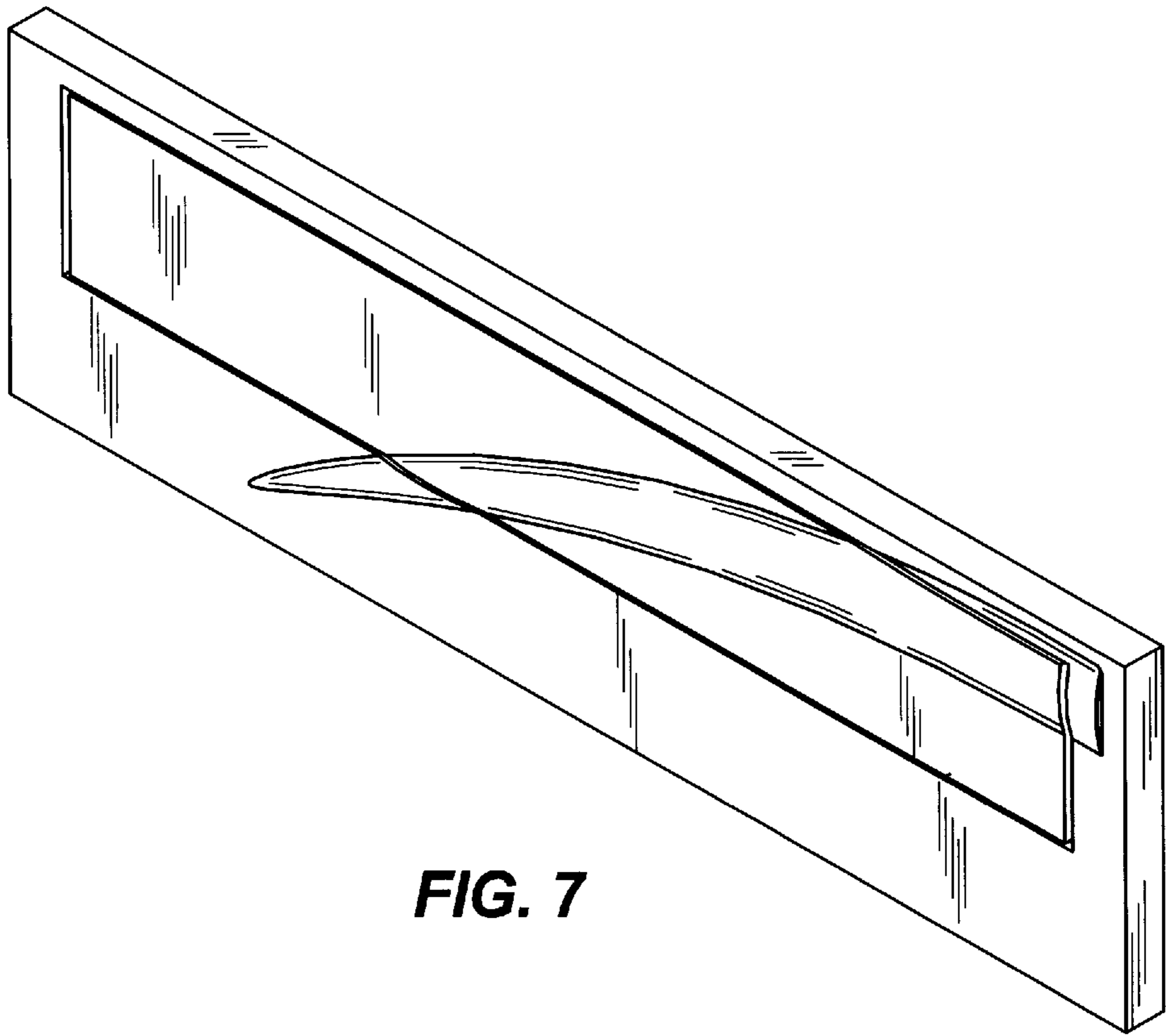


FIG. 7



FIG. 8



FIG. 9

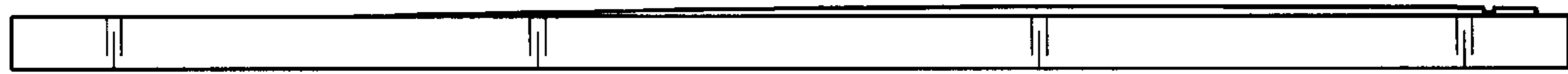


FIG. 10

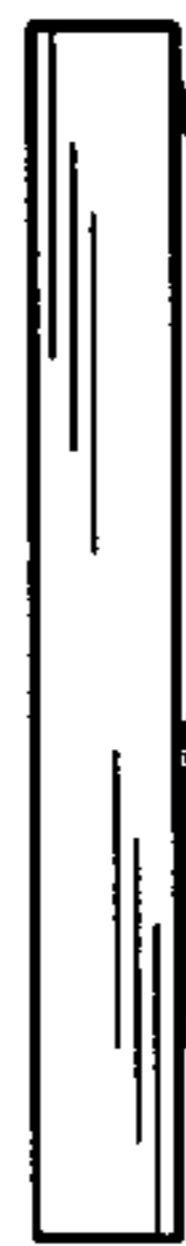


FIG. 11



FIG. 12