



US00D407079S

United States Patent [19] Wu

[11] **Patent Number: Des. 407,079**

[45] **Date of Patent: **Mar. 23, 1999**

[54] **COMPUTER HARD DRIVE TRAY**

[75] Inventor: **Jeff Wu**, Mission Viejo, Calif.

[73] Assignee: **Commercial & Industrial Design Company, Inc.**, Costa Mesa, Calif.

[**] Term: **14 Years**

[21] Appl. No.: **85,277**

[22] Filed: **Mar. 19, 1998**

[51] **LOC (6) Cl.** **14-02**

[52] **U.S. Cl.** **D14/114**

[58] **Field of Search** D14/100, 105,
D14/107, 109, 114; D13/162, 184, 199;
361/680-5, 728-36; 360/99.01-99.12; 312/208.1

[56] **References Cited**

U.S. PATENT DOCUMENTS

D. 330,198	10/1992	Lajara et al.	D14/114
D. 336,289	6/1993	Hill	D14/109
D. 348,050	6/1994	Dolkowski et al.	D14/100
D. 372,021	7/1996	Idleman et al.	D14/109
D. 377,482	1/1997	Geck	D14/109
D. 383,736	9/1997	Corrington et al.	D14/109
D. 386,478	11/1997	Alfonso et al.	D14/100
4,717,982	1/1988	Toreson et al. .	
4,754,397	6/1988	Varaiya et al. .	
4,941,841	7/1990	Darden et al. .	
4,964,017	10/1990	Jindrick et al. .	
5,211,459	5/1993	Wu .	

FOREIGN PATENT DOCUMENTS

1274311 5/1972 United Kingdom .

Primary Examiner—M. H. Tung
Attorney, Agent, or Firm—Knobbe, Martens, Olson & Bear
LLP

[57] **CLAIM**

The ornamental design for a computer hard drive tray, as shown and described.

DESCRIPTION

FIG. 1 is a perspective view of a computer hard drive tray having features in accordance with the present invention, the bottom support, rear wall, side walls, and slide rails being shown in phantom for illustrative purposes only and forms no part of the claimed design;

FIG. 2 is a front elevational view of the computer hard drive tray of FIG. 1;

FIG. 3 is a top plan view of the computer hard drive tray of FIG. 1;

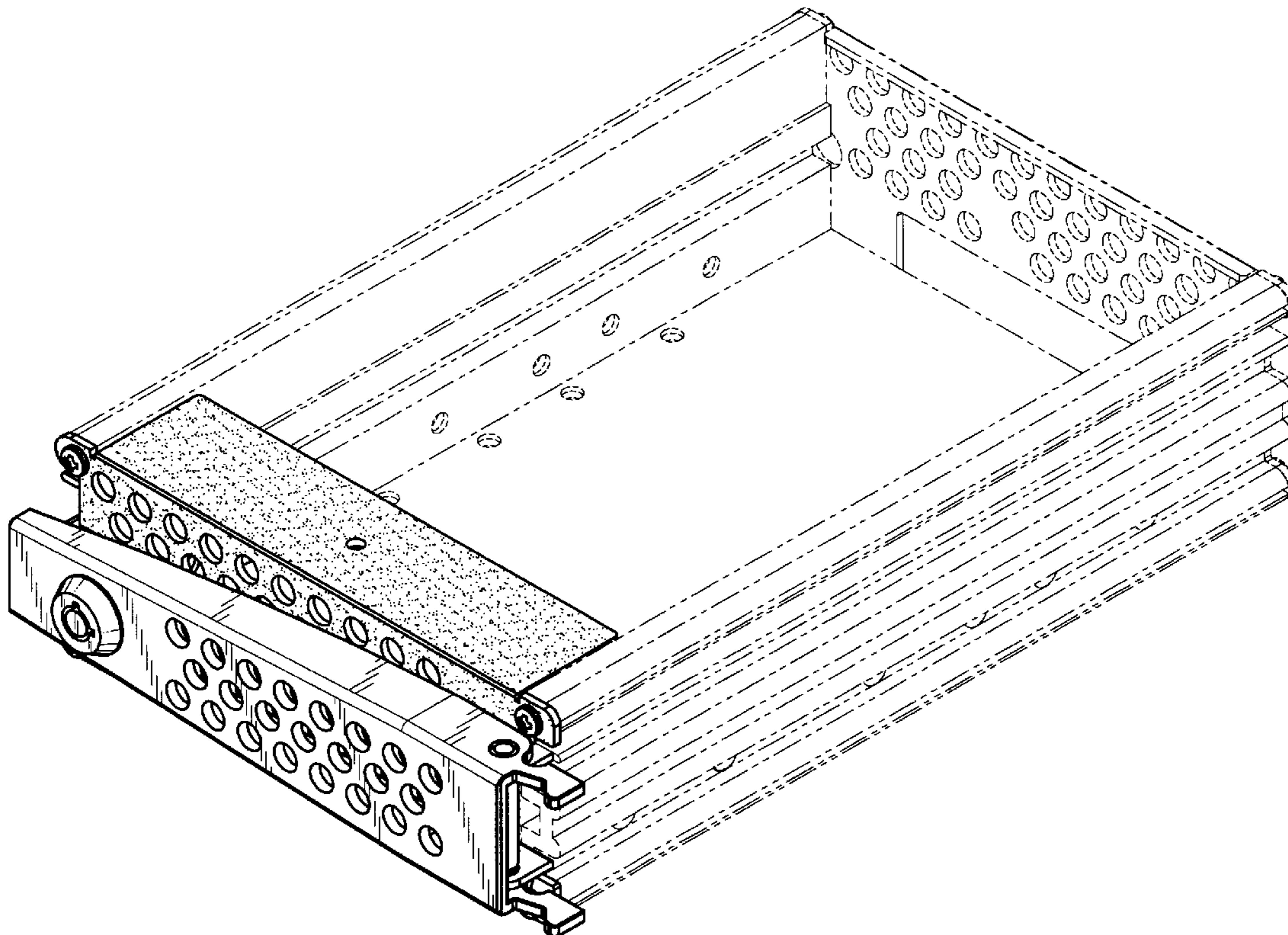
FIG. 4 is a bottom plan view of the computer hard drive tray of FIG. 1;

FIG. 5 is a right side elevational view of the computer hard drive tray of FIG. 1; and,

FIG. 6 is a left side elevational view of the computer hard drive tray of FIG. 1.

The broken line disclosure in FIGS. 3-6 is for illustrative purposes only and forms no part of the claimed design.

1 Claim, 4 Drawing Sheets



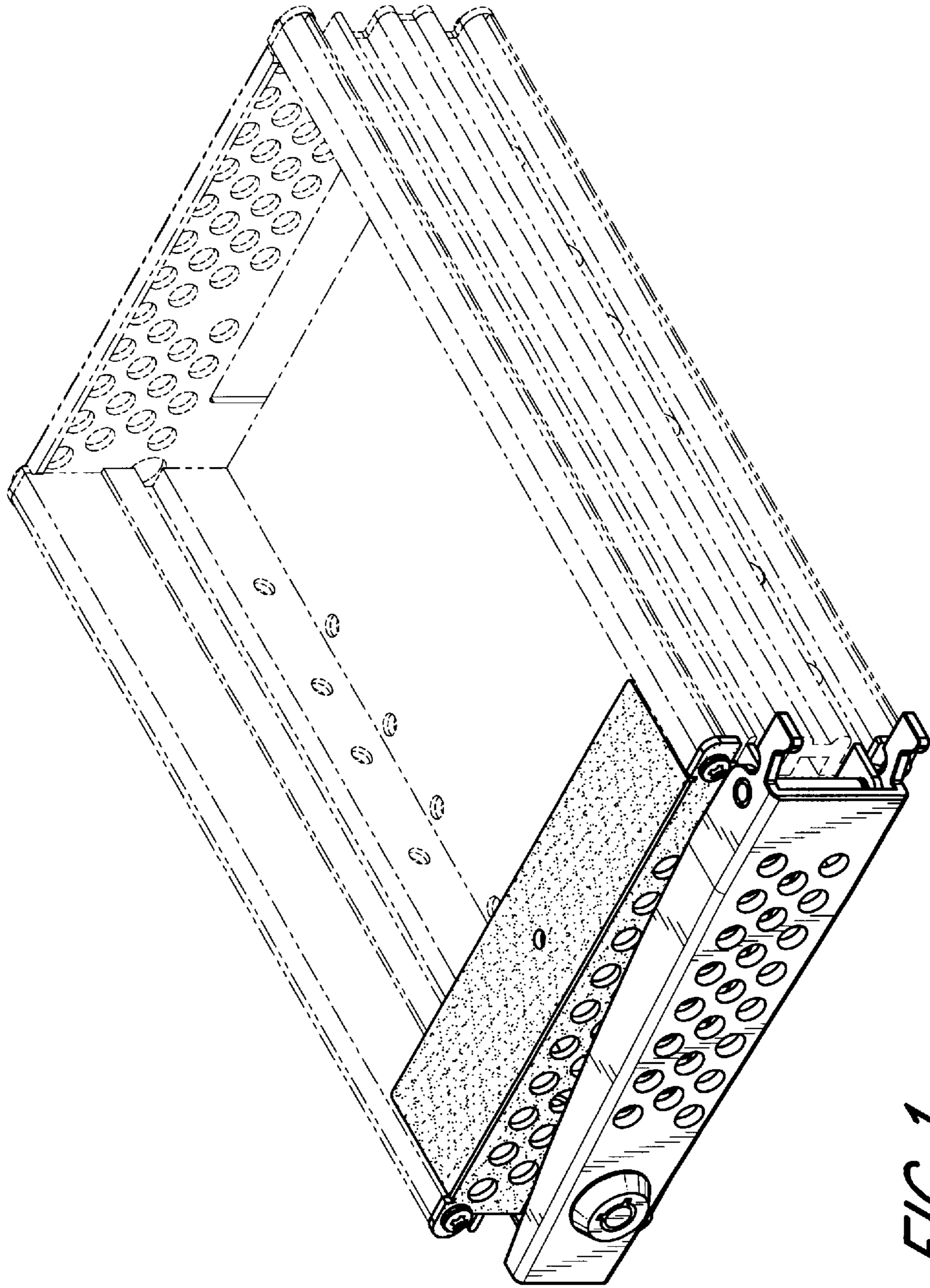


FIG. 1

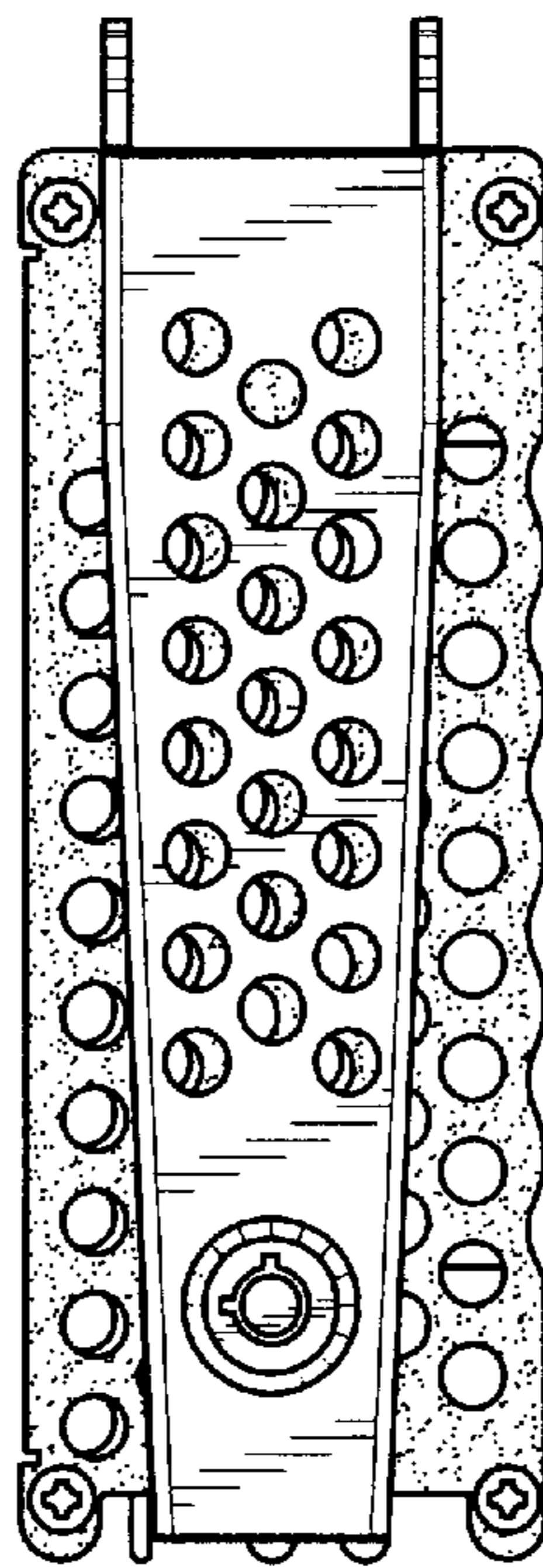


FIG. 2

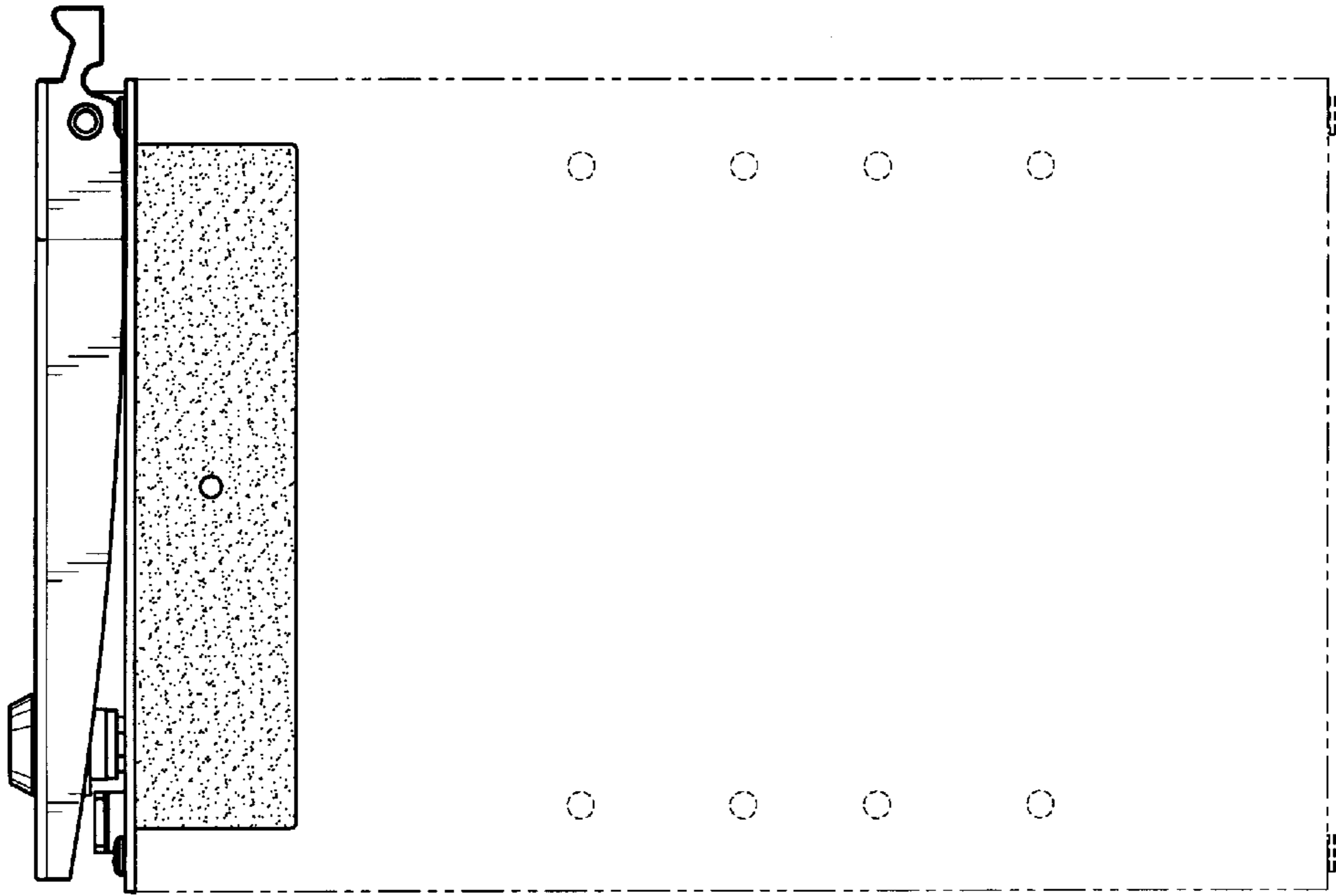


FIG. 4

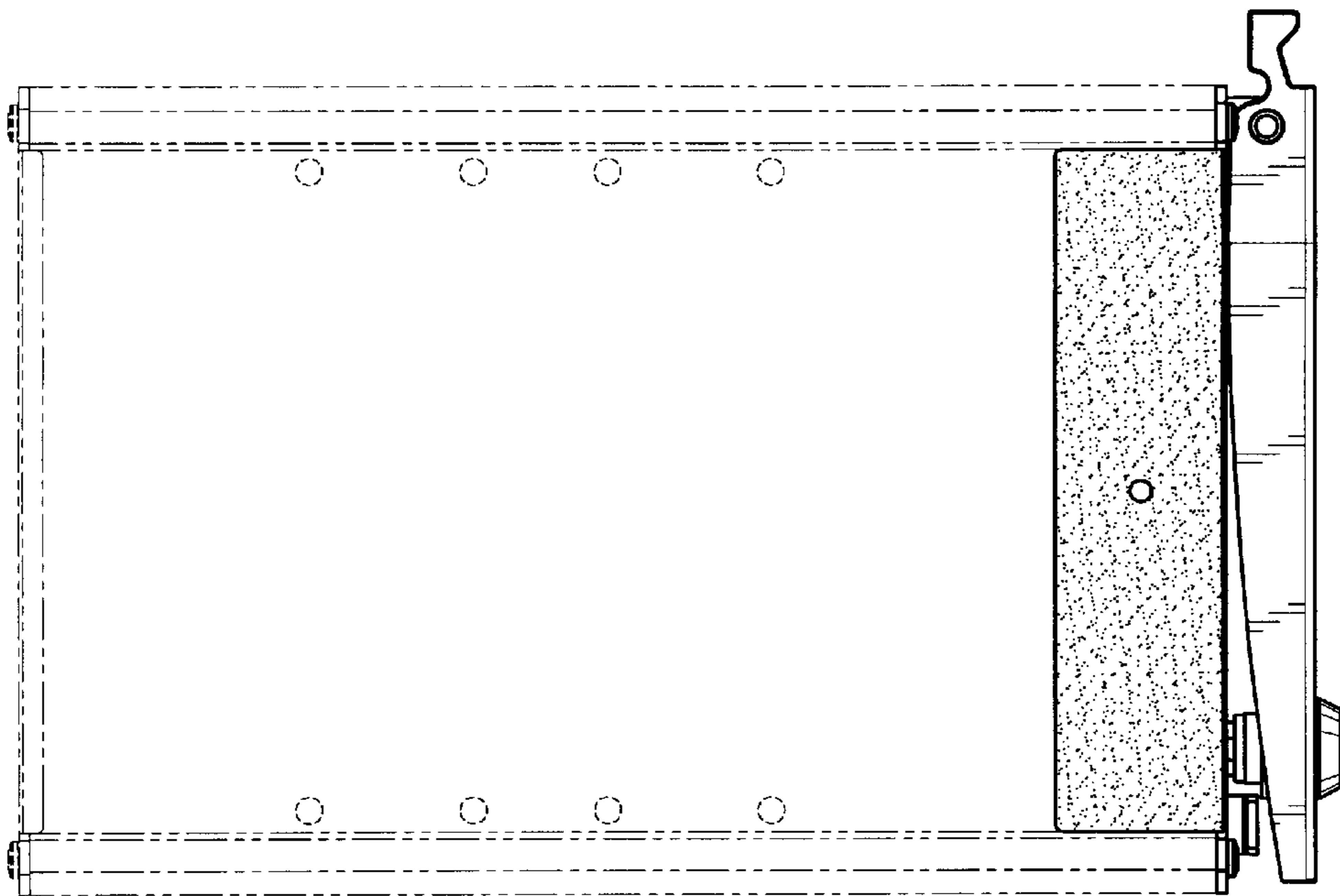


FIG. 3

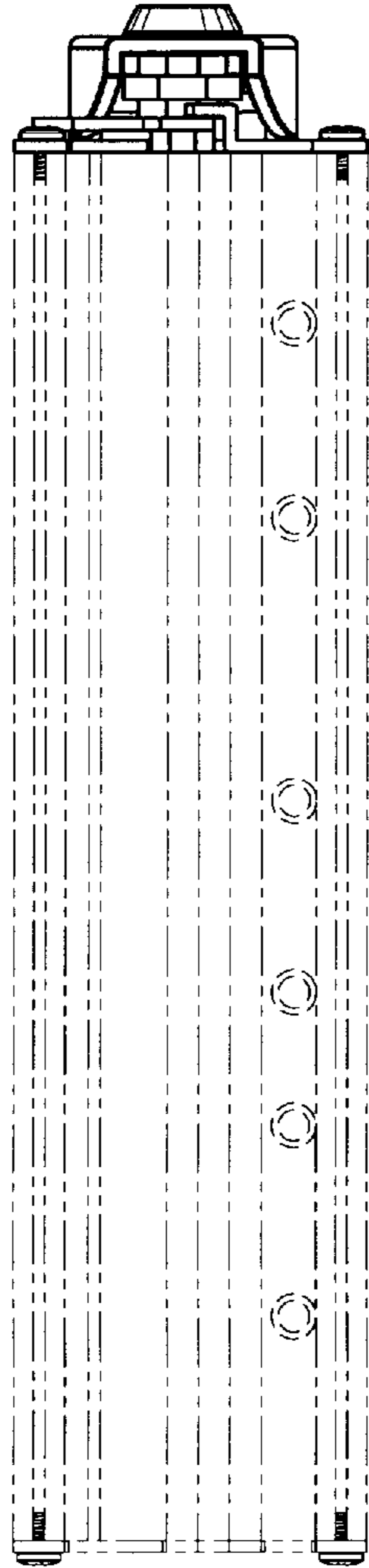


FIG. 5

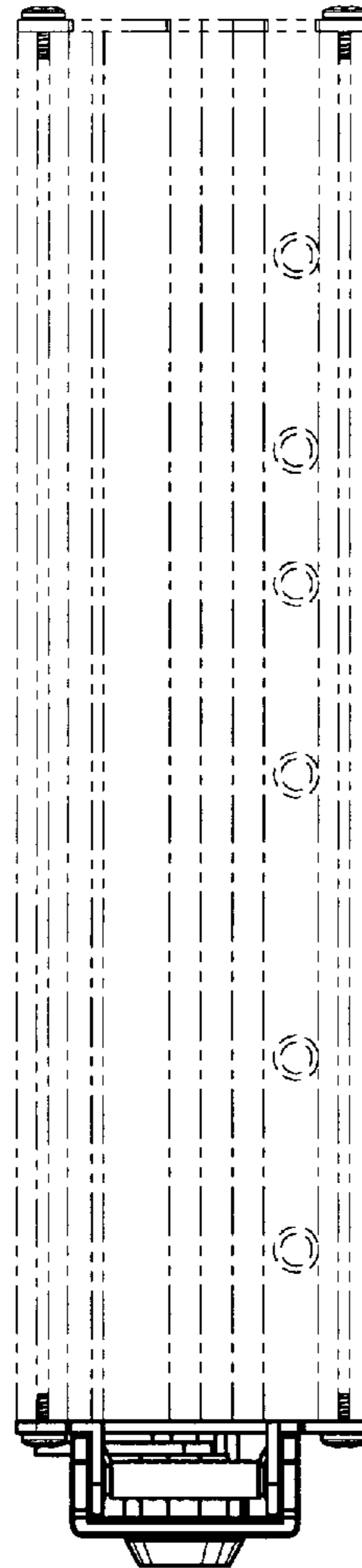


FIG. 6