



US00D407077S

United States Patent [19] Shibata

[11] Patent Number: **Des. 407,077**

[45] Date of Patent: ****Mar. 23, 1999**

[54] **DISPLAY FOR ELECTRONIC COMPUTERS**

[75] Inventor: **Yuuki Shibata**, Kanagawa-ken, Japan

[73] Assignee: **Kabushiki Kaisha Toshiba**, Kawasaki, Japan

[**] Term: **14 Years**

[21] Appl. No.: **82,772**

[22] Filed: **Jan. 30, 1998**

[30] **Foreign Application Priority Data**

Aug. 25, 1997 [JP] Japan 9-65326

[51] **LOC (6) Cl.** **14-02**

[52] **U.S. Cl.** **D14/113; D14/126**

[58] **Field of Search** D14/100, 106,
D14/101, 113, 124-129; 248/917-924;
345/104, 133, 156, 168, 87, 173, 901-905;
348/180, 184, 325, 739; 341/12

[56] **References Cited**

U.S. PATENT DOCUMENTS

- D. 303,790 10/1989 Kato et al. .
- D. 324,038 2/1992 Izaki .
- D. 335,287 5/1993 Iino .
- D. 344,933 3/1994 Wiseman et al. .
- D. 349,489 8/1994 Wang D14/113
- D. 373,579 9/1996 Searby et al. D14/113

FOREIGN PATENT DOCUMENTS

- 686654 5/1986 Japan .
- 863348 11/1993 Japan .
- 887616 1/1994 Japan .
- 915821 12/1994 Japan .
- 921526 3/1995 Japan .
- 921955 3/1995 Japan .

OTHER PUBLICATIONS

ADI-Duo, publication date unknown.

Primary Examiner—Freda Nunn

Attorney, Agent, or Firm—Banner & Witcoff, Ltd.

[57] **CLAIM**

The ornamental design for a display for electronic computers, as shown and described.

DESCRIPTION

FIG. 1 is a top, front and right side perspective view of a display for electronic computers showing my new design; FIG. 2 is a top plan view thereof; FIG. 3 is a front elevational view thereof; FIG. 4 is a rear elevational view thereof; FIG. 5 is a left side elevational view thereof; FIG. 6 is a right side elevational view thereof; and, FIG. 7 is a bottom plan view thereof.

1 Claim, 3 Drawing Sheets

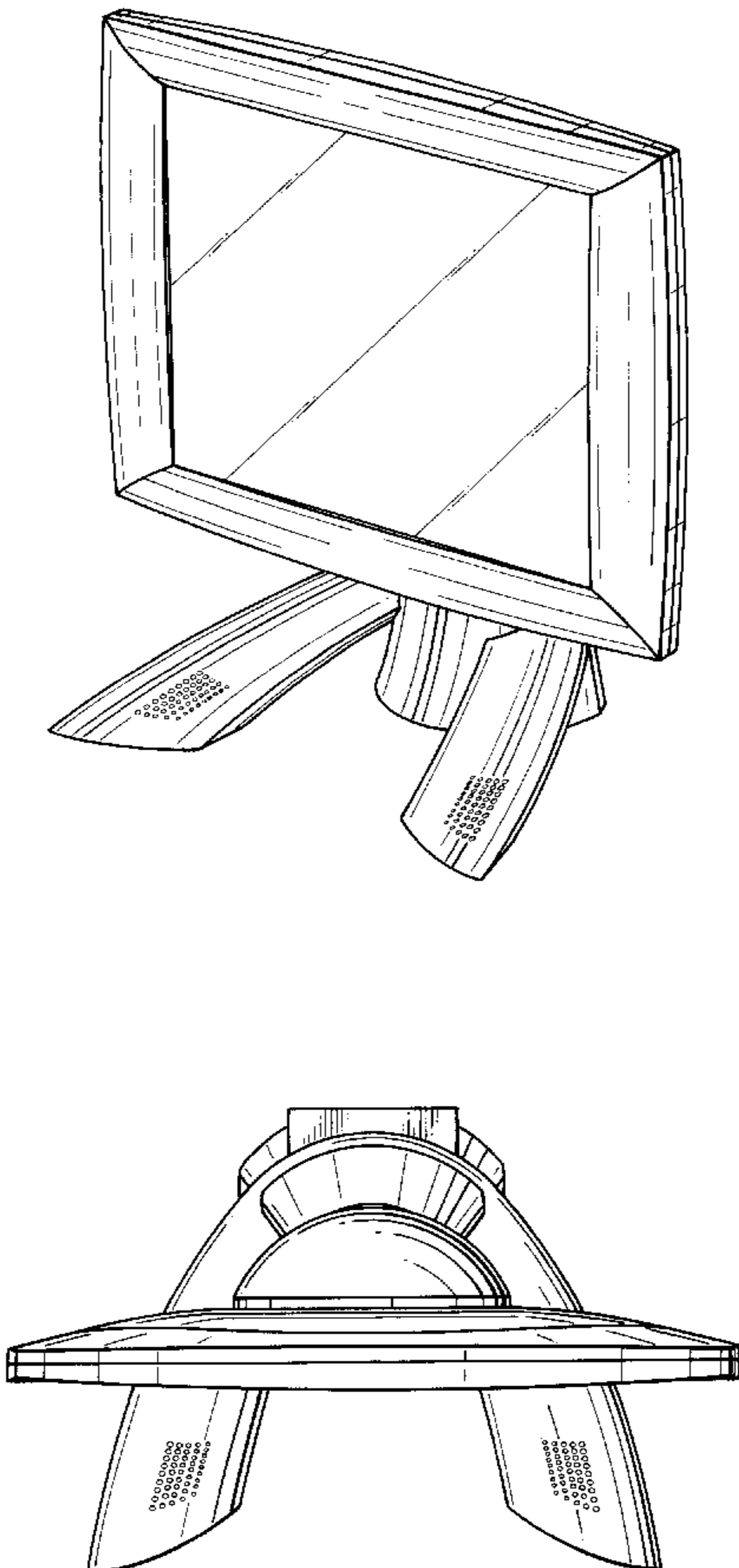


FIG. 1

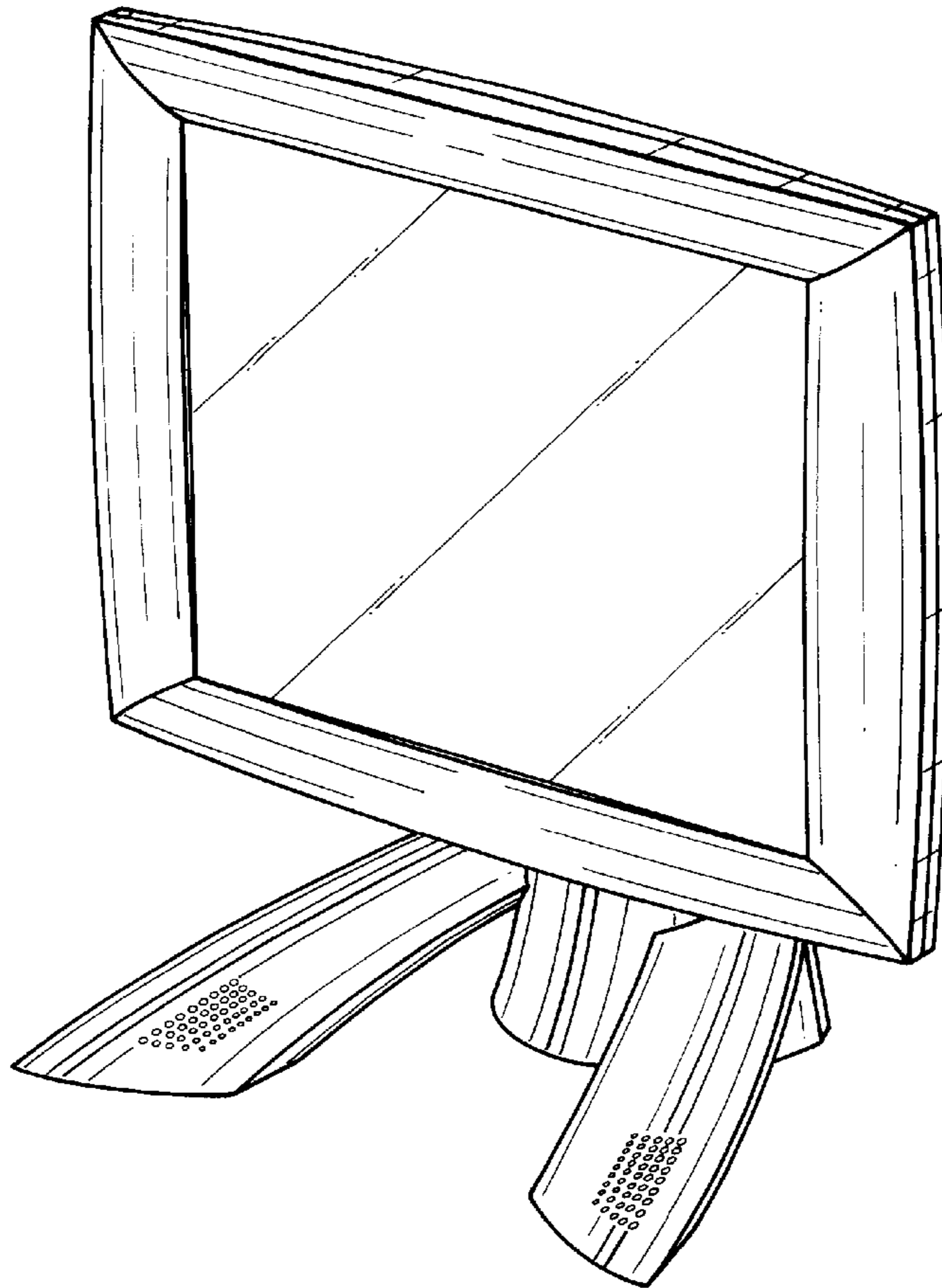


FIG. 2

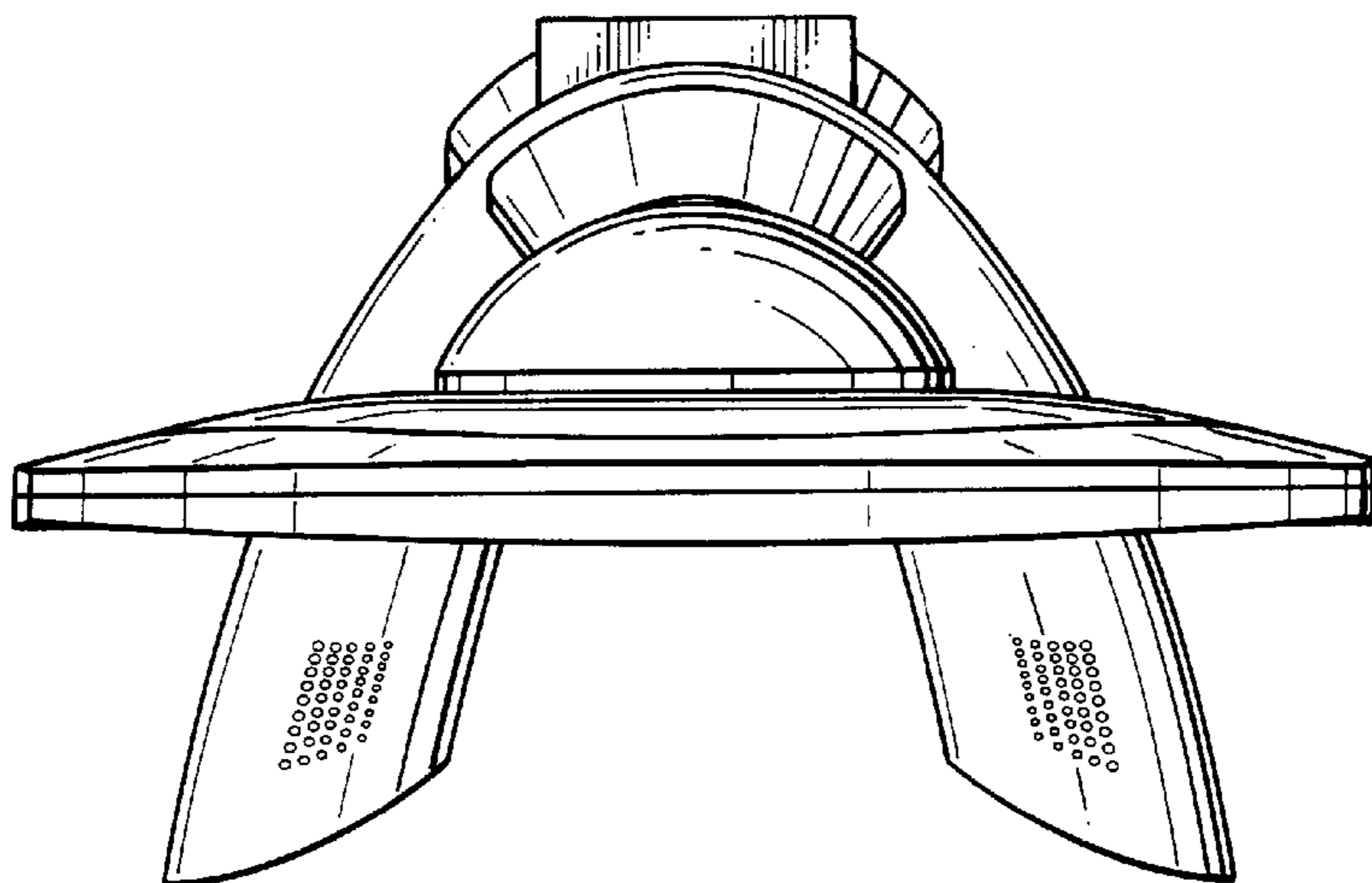


FIG. 3

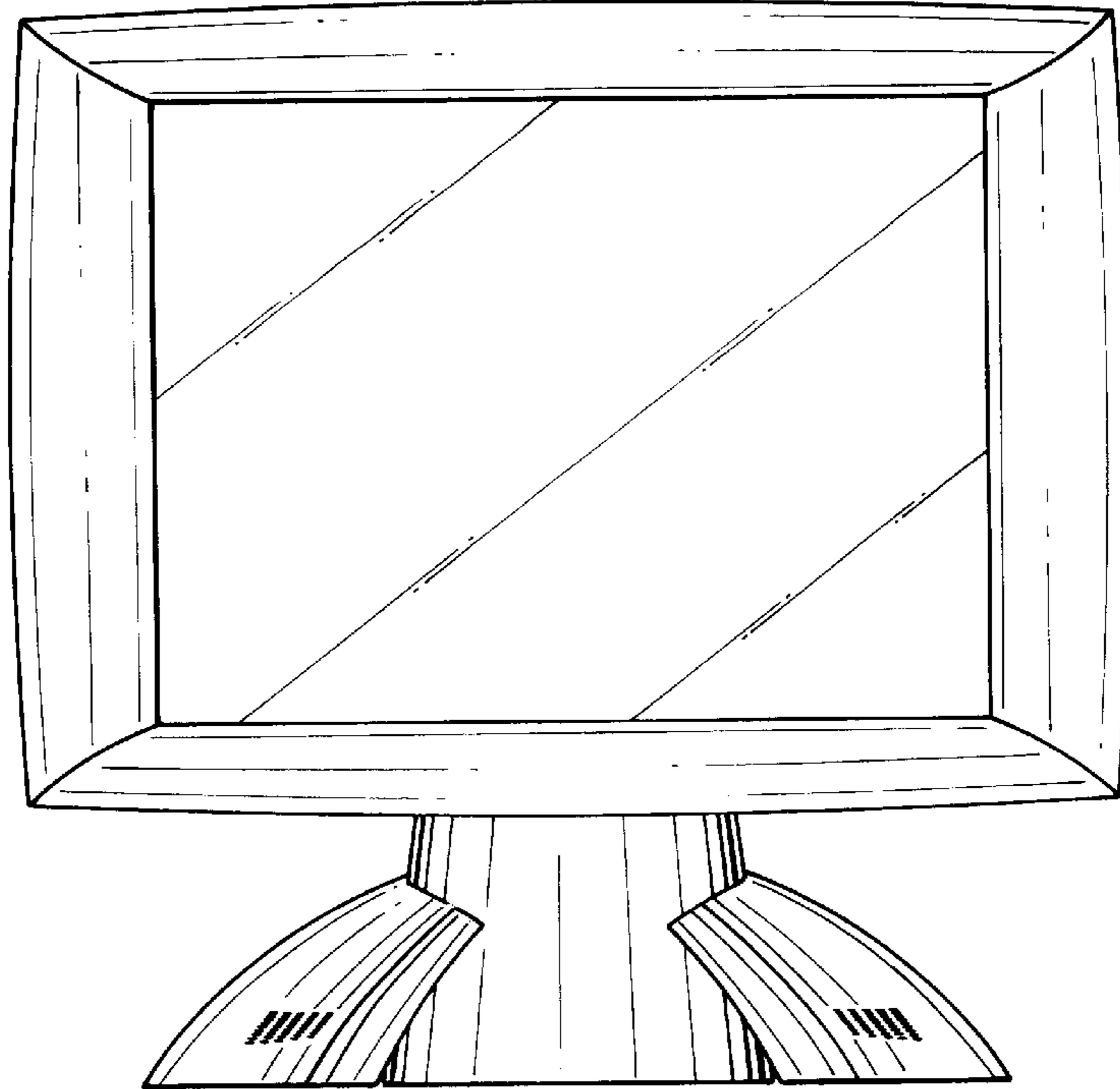


FIG. 4

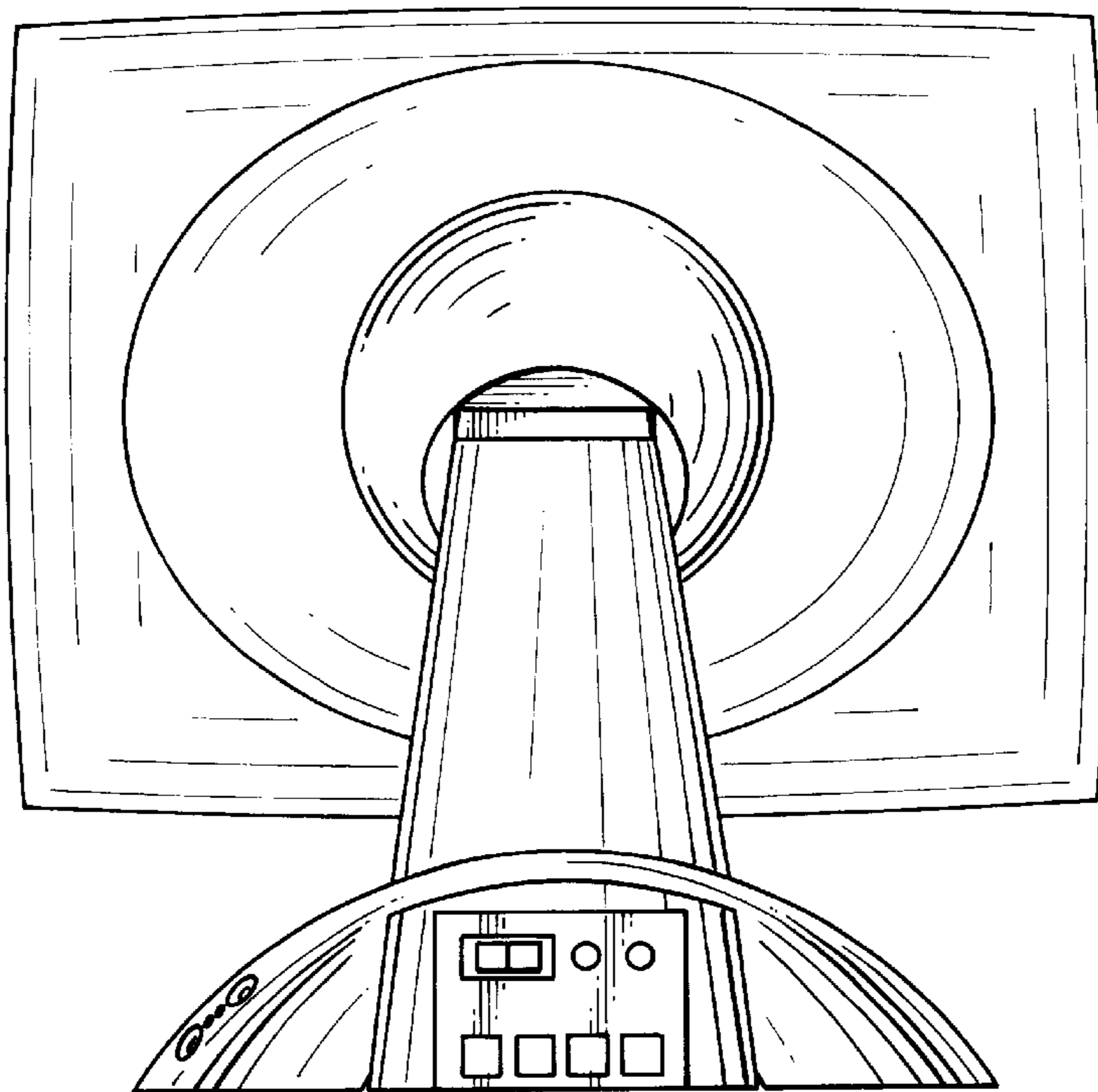


FIG. 5

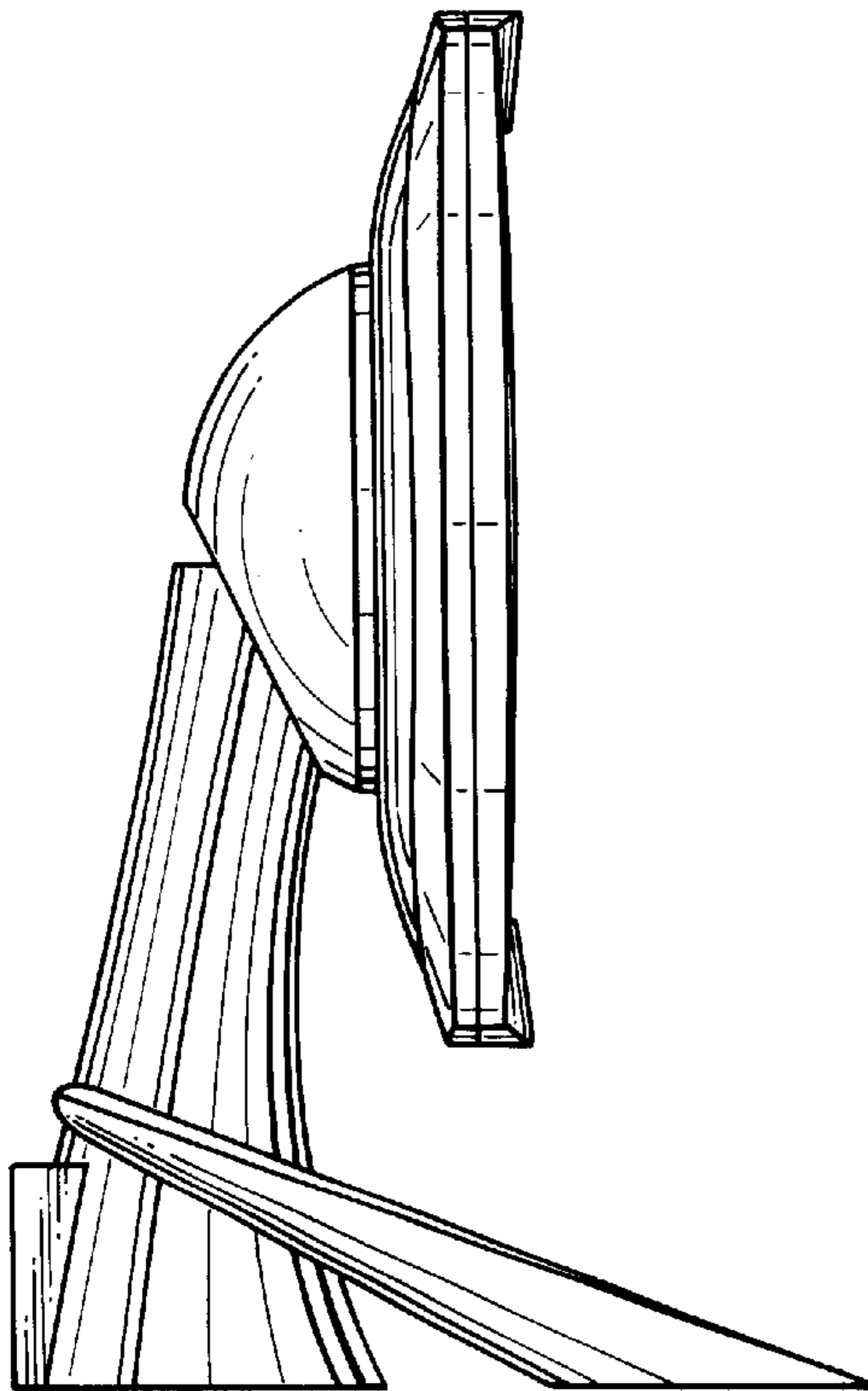


FIG. 6

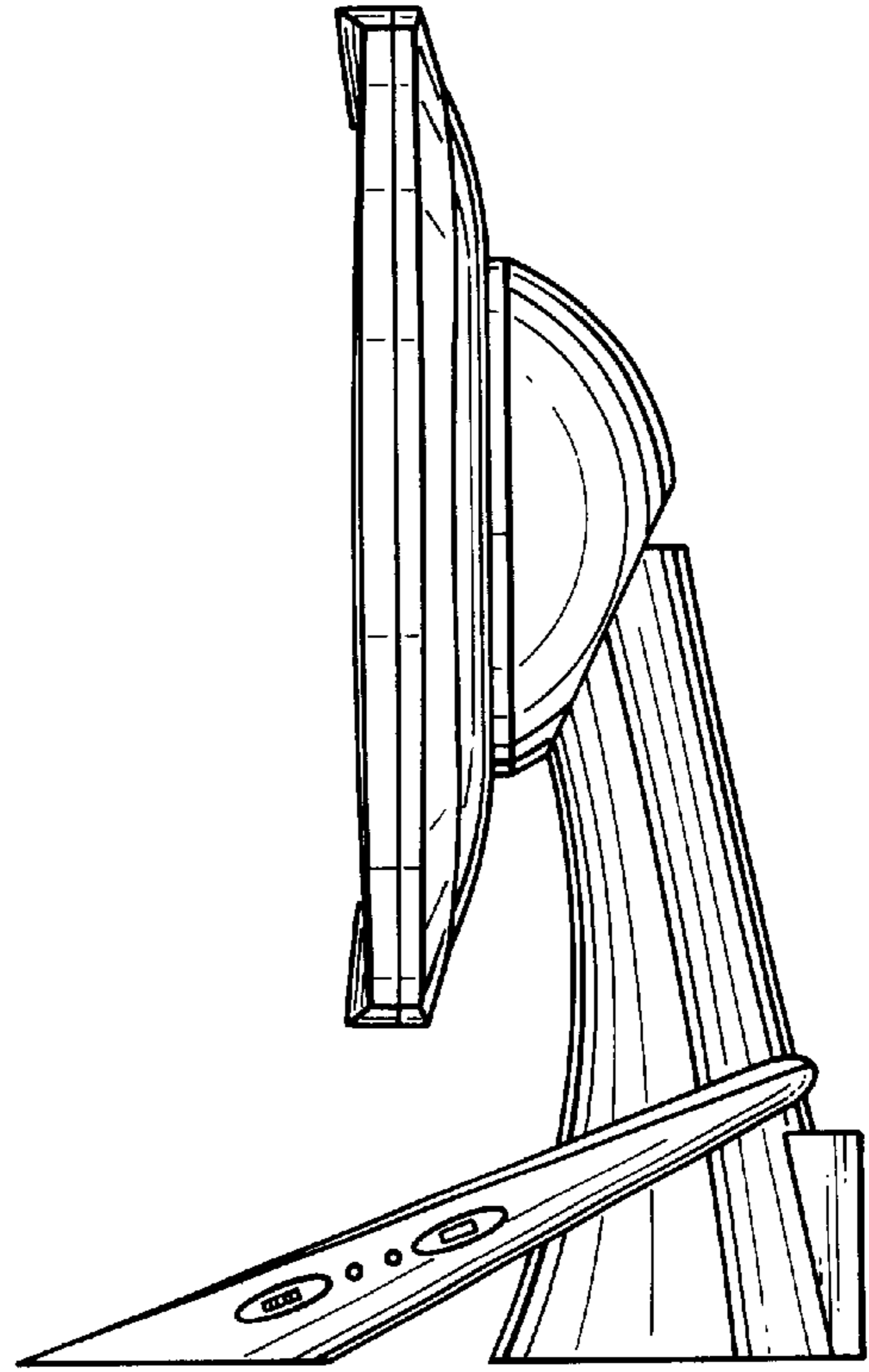


FIG. 7

