



US00D407076S

**United States Patent** [19]  
**Renk**

[11] **Patent Number: Des. 407,076**

[45] **Date of Patent: \*\*Mar. 23, 1999**

[54] **NETWORK COMPUTER DEVICE**

D. 363,708 10/1995 Furey et al. .... D14/102

[75] Inventor: **Thomas Edward Renk**, Indianapolis, Ind.

*Primary Examiner*—Freda Ninn  
*Attorney, Agent, or Firm*—Woodard, Emhardt, Naughton Moriarty & McNett

[73] Assignee: **Thomson Consumer Electronics, Inc.**, Indianapolis, Ind.

[57] **CLAIM**

[\*\*] Term: **14 Years**

The ornamental design for a network computer device, as shown and described.

[21] Appl. No.: **82,849**

**DESCRIPTION**

[22] Filed: **Jan. 29, 1998**

[51] **LOC (6) Cl.** ..... **14-02**

FIG. 1 is a front elevational view of a network computer device showing my new design, the rear elevational view being a mirror image thereof;

[52] **U.S. Cl.** ..... **D14/100; D14/102; D14/107**

FIG. 2 is a right side elevational view thereof, the left side elevational view being a mirror image of the right side elevational view;

[58] **Field of Search** ..... D14/100, 102, D14/107-109; D13/162, 184, 199; D6/432, 436, 445, 448; 312/208.1; 360/99.12; 361/694, 696

FIG. 3 is a top plan view thereof;

[56] **References Cited**

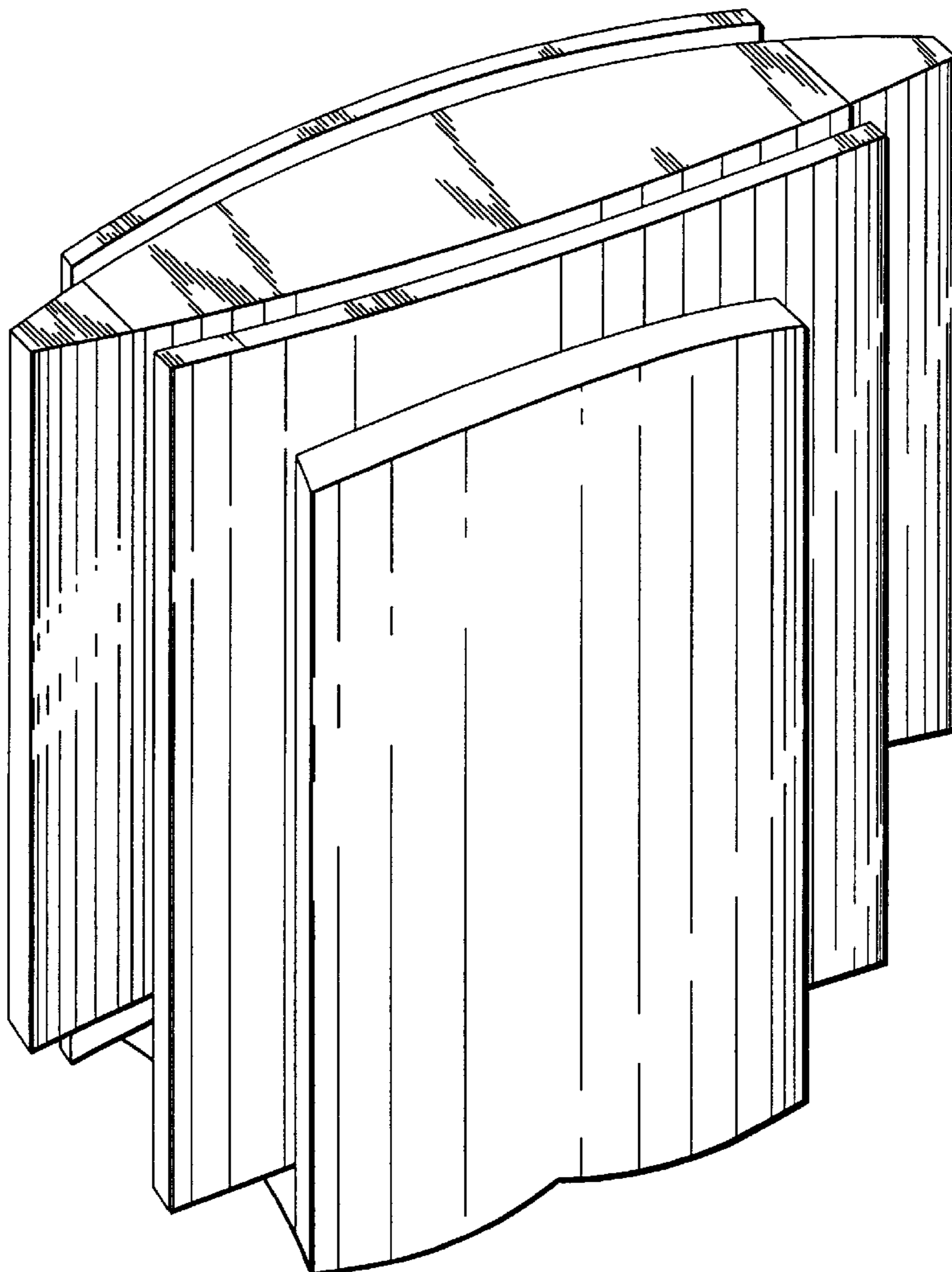
FIG. 4 is a bottom plan view thereof; and,

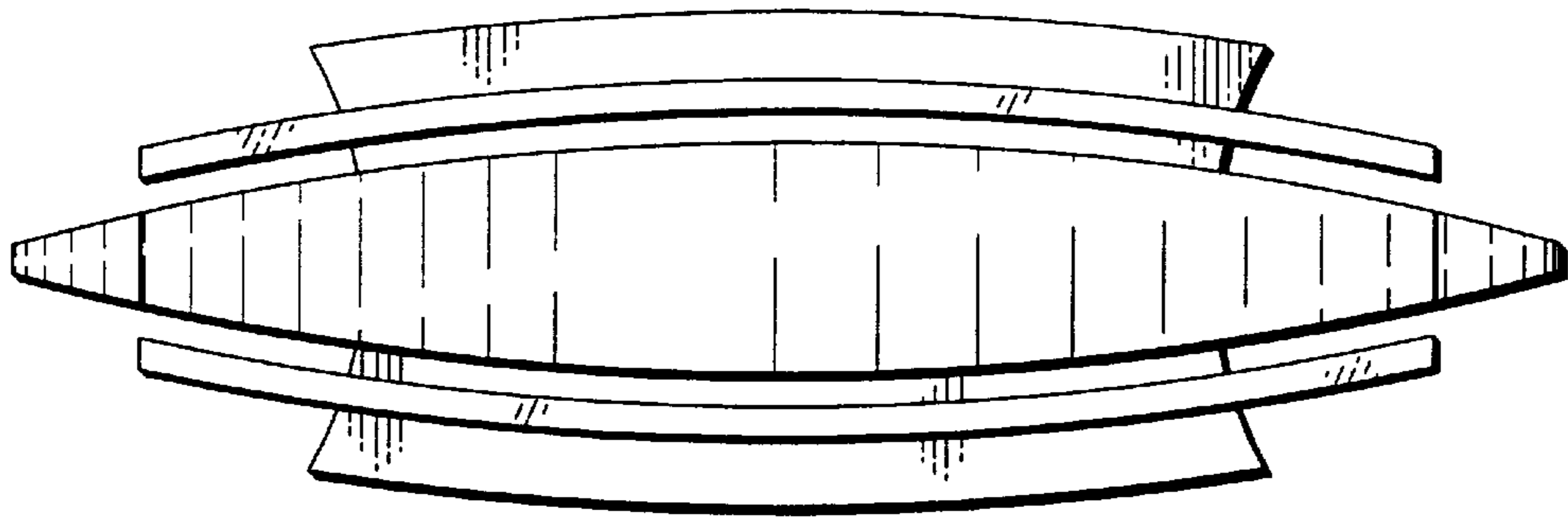
FIG. 5 is a front, left side, and top perspective view thereof.

**U.S. PATENT DOCUMENTS**

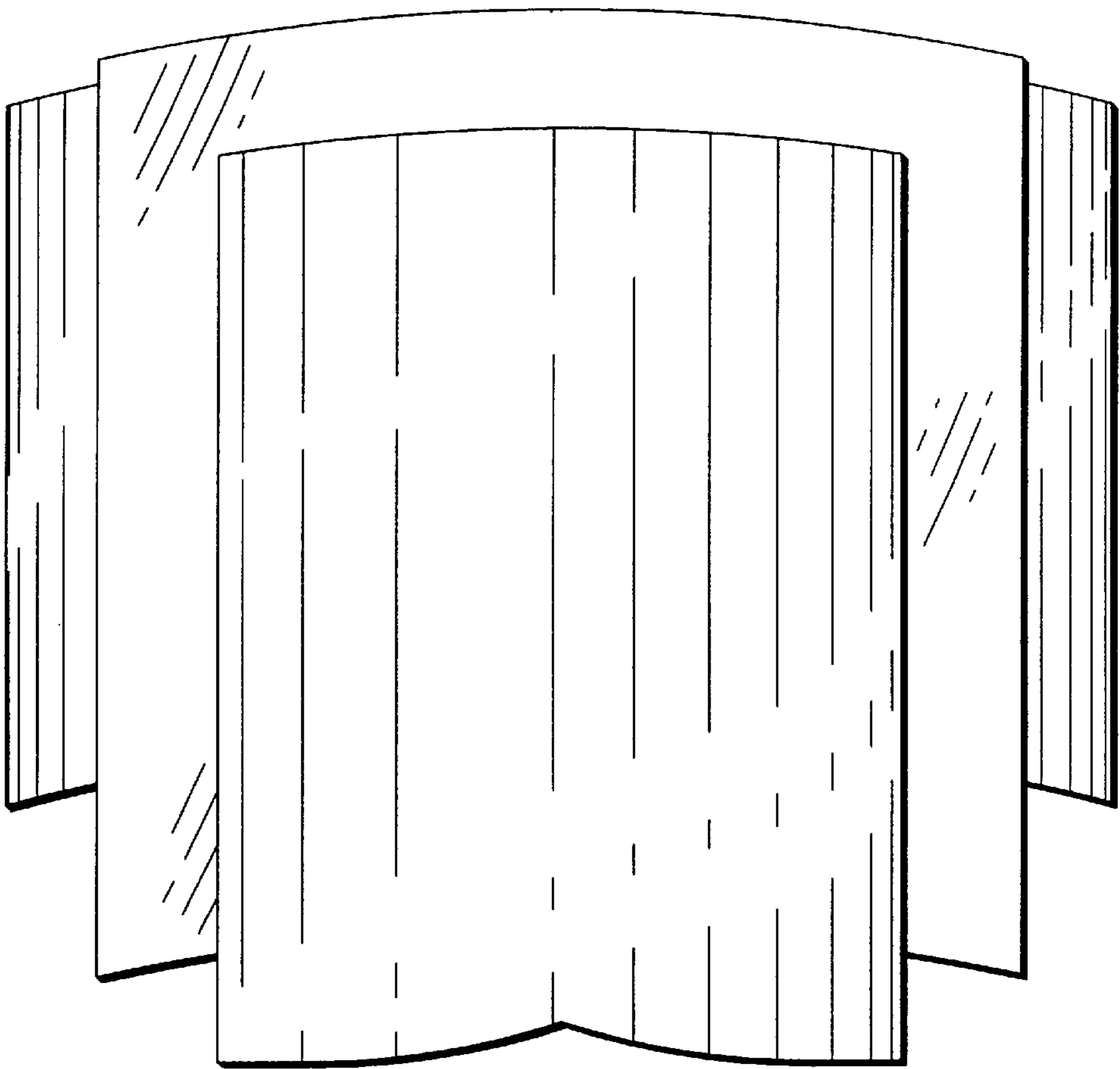
D. 350,535 9/1994 Anderson et al. .... D14/107

**1 Claim, 3 Drawing Sheets**

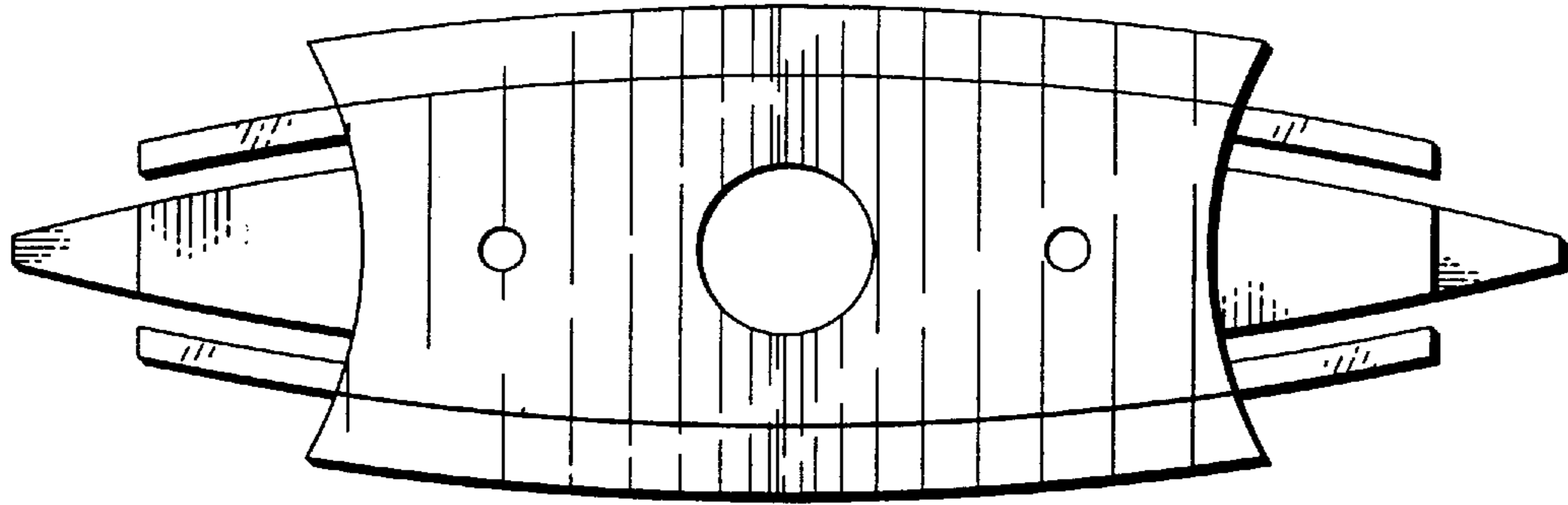




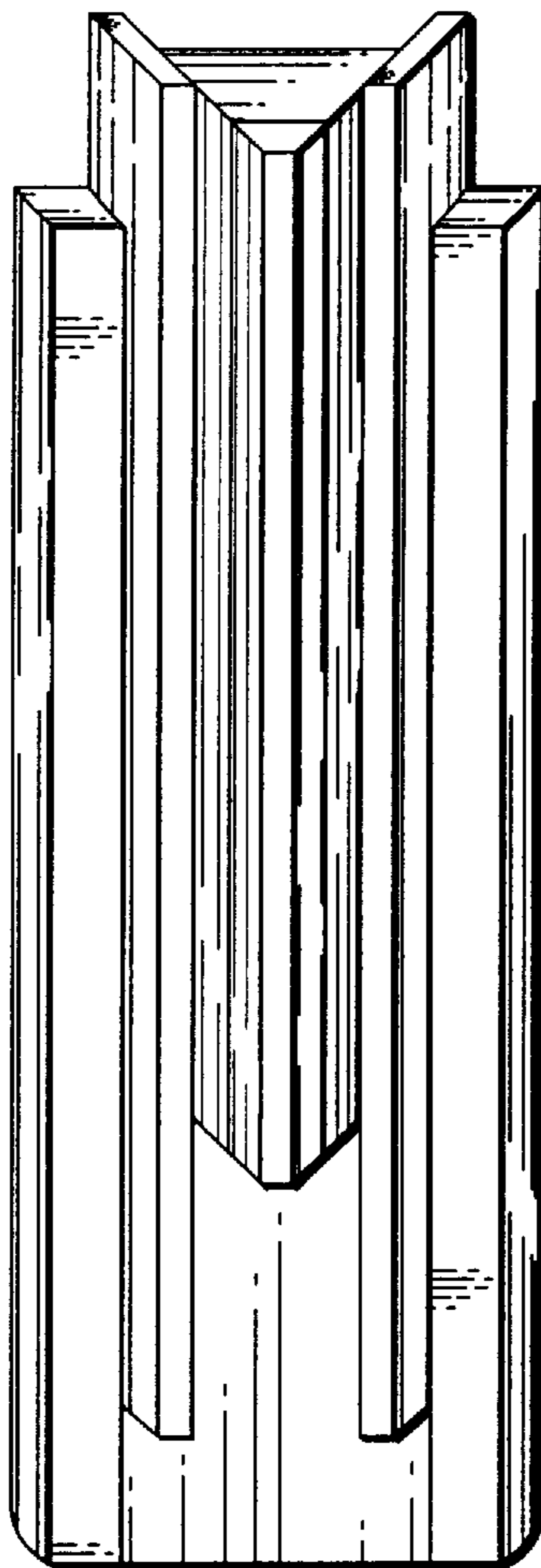
**Fig. 3**



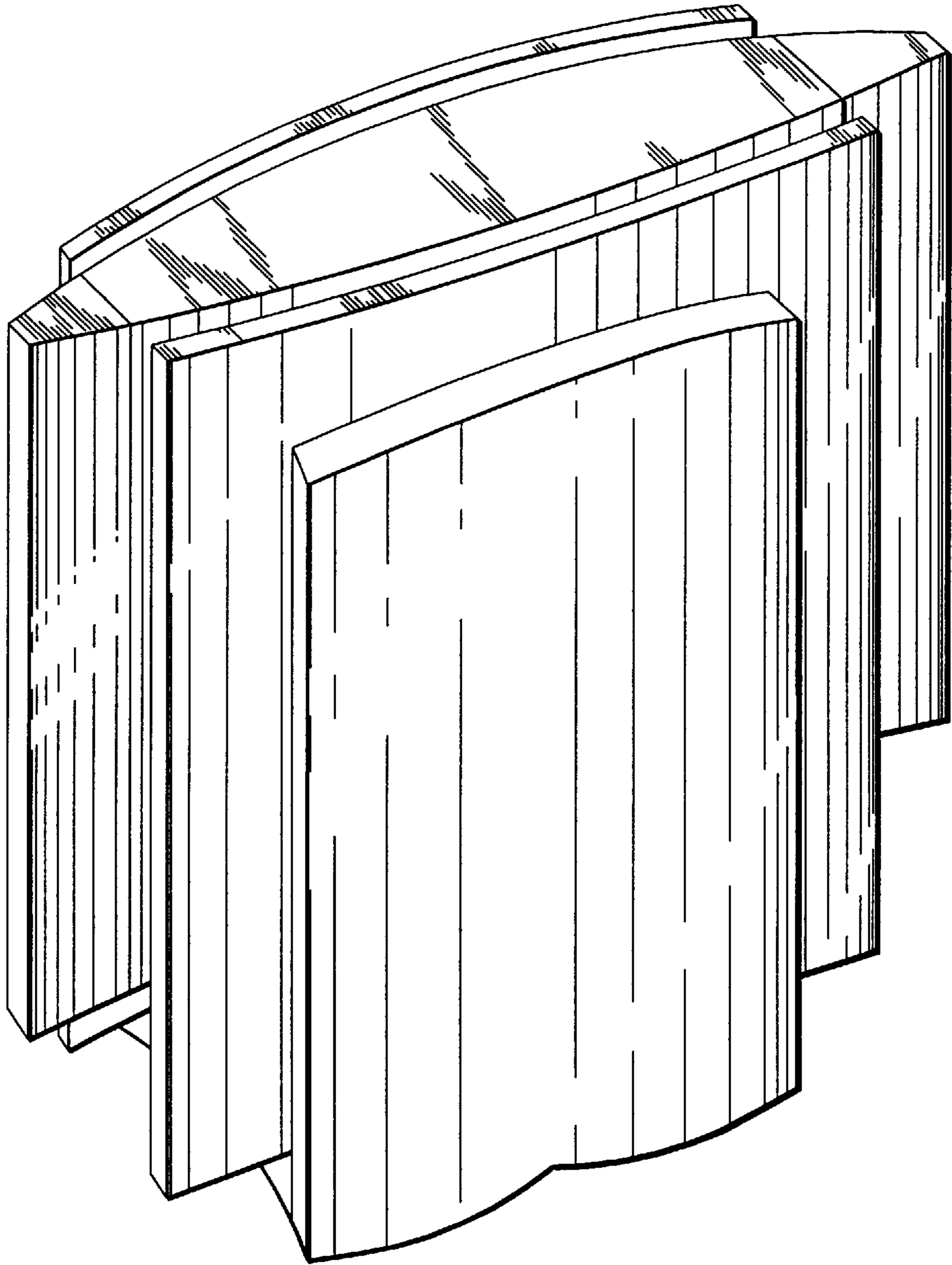
**Fig. 1**



**Fig. 4**



**Fig. 2**



**Fig. 5**