

US00D407072S

**United States Patent** [19]  
**Gaule**

[11] **Patent Number: Des. 407,072**

[45] **Date of Patent: \*\*Mar. 23, 1999**

[54] **LIGHT SWITCH PLATE WITH DIGITAL THERMOMETER**

[75] Inventor: **Donald L. Gaule**, Northbrook, Ill.

[73] Assignee: **I.C. Innovations, Inc.**, Northbrook, Ill.

[\*\*] Term: **14 Years**

[21] Appl. No.: **81,191**

[22] Filed: **Dec. 24, 1997**

[51] **LOC (6) Cl.** ..... **13-03**

[52] **U.S. Cl.** ..... **D13/177**

[58] **Field of Search** ..... D13/177; D8/353;  
D10/52; 174/66; 362/95

[56] **References Cited**

**U.S. PATENT DOCUMENTS**

D. 241,510	9/1976	Fisher	.....	D13/177
D. 366,339	1/1996	Waller	.....	D13/177
D. 390,774	2/1998	Lutzker	.....	D13/177
4,339,045	7/1982	Bodin	.....	D13/177 X
4,514,789	4/1985	Jester	.....	362/95
5,099,087	3/1992	Barrell	.....	D13/177 X

*Primary Examiner*—Brian N. Vinson

*Attorney, Agent, or Firm*—Sanford J. Piltch

[57] **CLAIM**

I claim the ornamental design for a light switch plate with digital thermometer, as shown and described.

**DESCRIPTION**

FIG. 1 is a top view of the first embodiment of a light switch with digital thermometer showing my new design;

FIG. 2 is a perspective view thereof;

FIG. 3 is a right side view thereof;

FIG. 4 is a left side view thereof;

FIG. 5 is a rear view thereof;

FIG. 6 is a front view thereof;

FIG. 7 is a bottom view thereof;

FIG. 8 is a perspective view of the second embodiment of a light switch plate with digital thermometer showing my new design;

FIG. 9 is a top view thereof;

FIG. 10 is a right side view thereof;

FIG. 11 is a left side view thereof;

FIG. 12 is a rear view thereof;

FIG. 13 is a front view thereof;

FIG. 14 is a bottom view thereof;

FIG. 15 is a top view of the third embodiment of a light switch plate with digital thermometer showing my new design;

FIG. 16 is a perspective view thereof;

FIG. 17 is a right side view thereof;

FIG. 18 is a left side view thereof;

FIG. 19 is a rear view thereof;

FIG. 20 is a front view thereof;

FIG. 21 is a bottom view thereof;

FIG. 22 is a top view of the fourth embodiment of a light switch plate with digital thermometer showing my new design;

FIG. 23 is a perspective view thereof;

FIG. 24 is a right side view thereof;

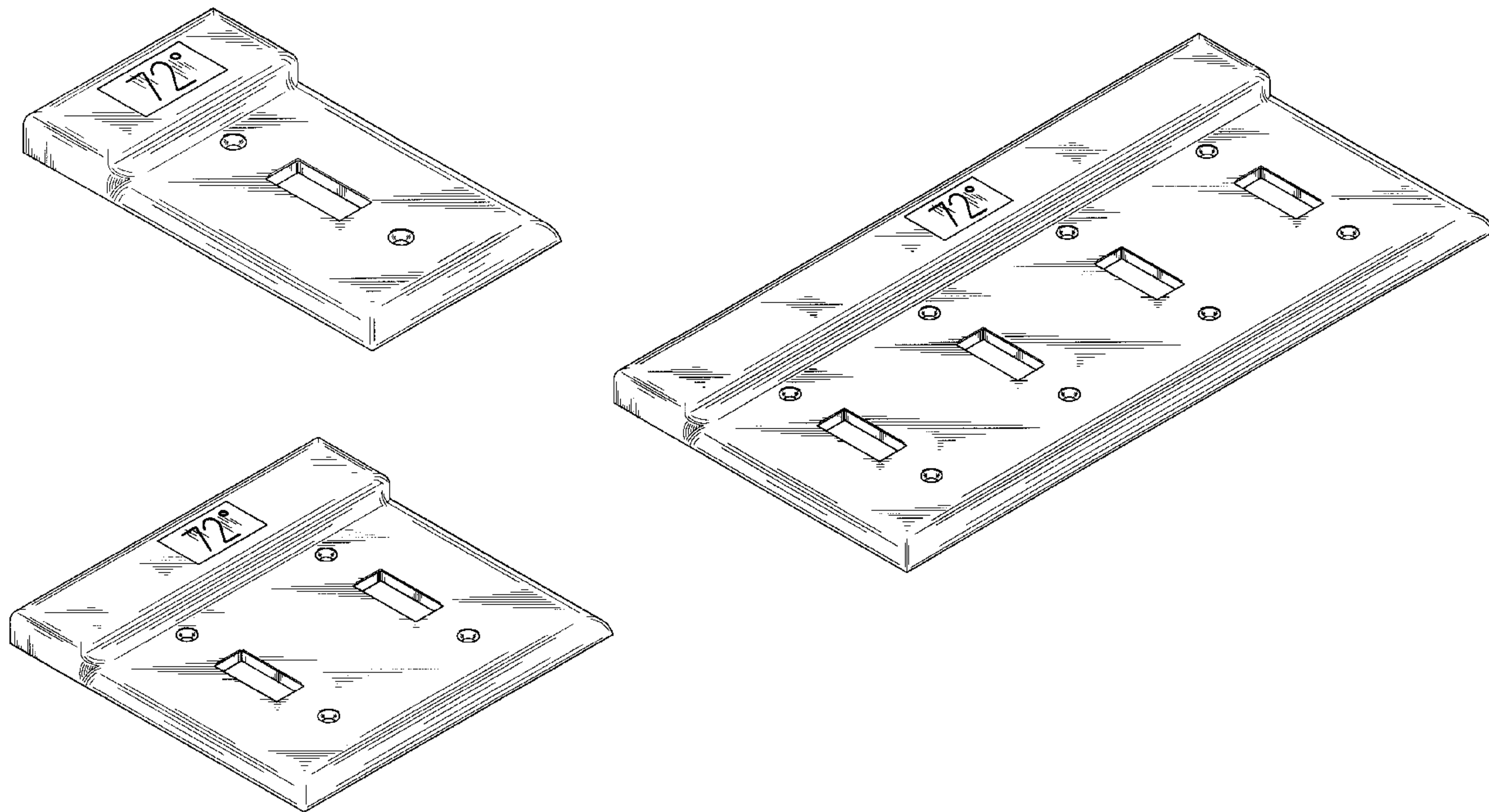
FIG. 25 is a left side view thereof;

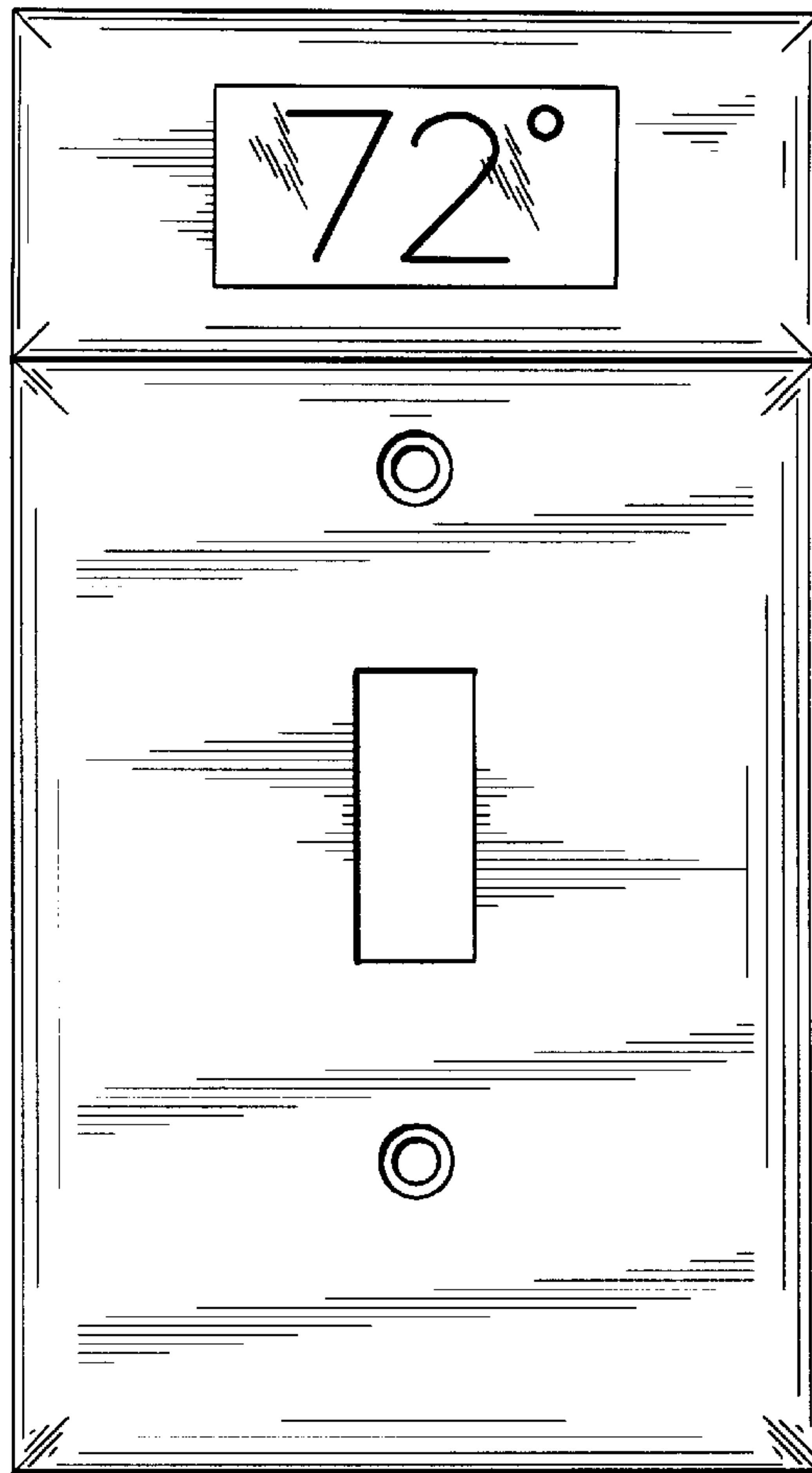
FIG. 26 is a rear view thereof;

FIG. 27 is a front view thereof; and,

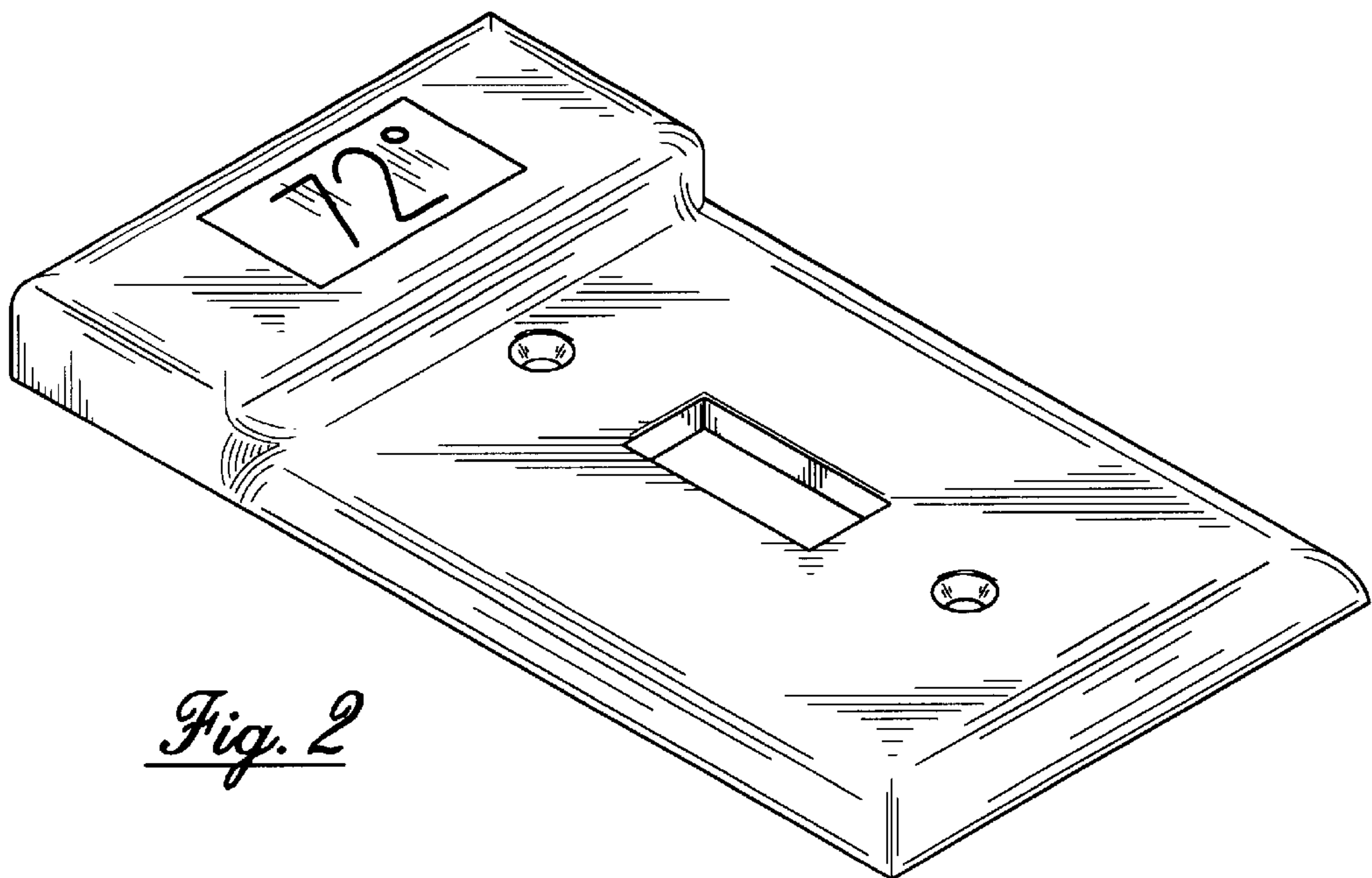
FIG. 28 is a bottom view thereof.

**1 Claim, 14 Drawing Sheets**





*Fig. 1*



*Fig. 2*

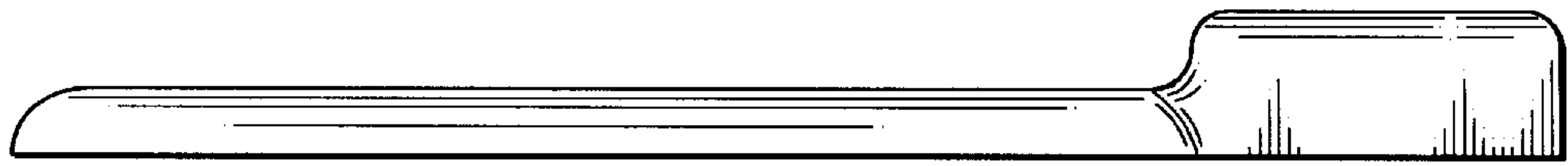


Fig. 3

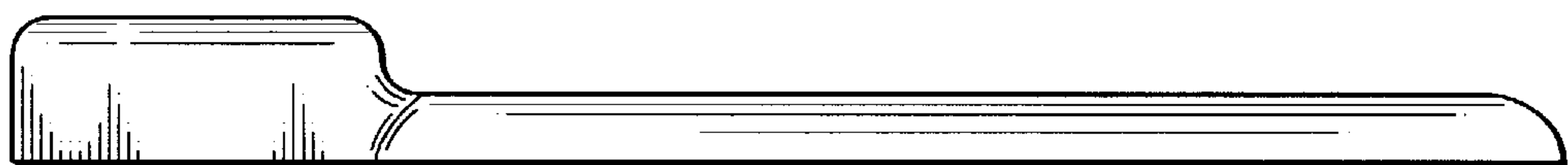


Fig. 4

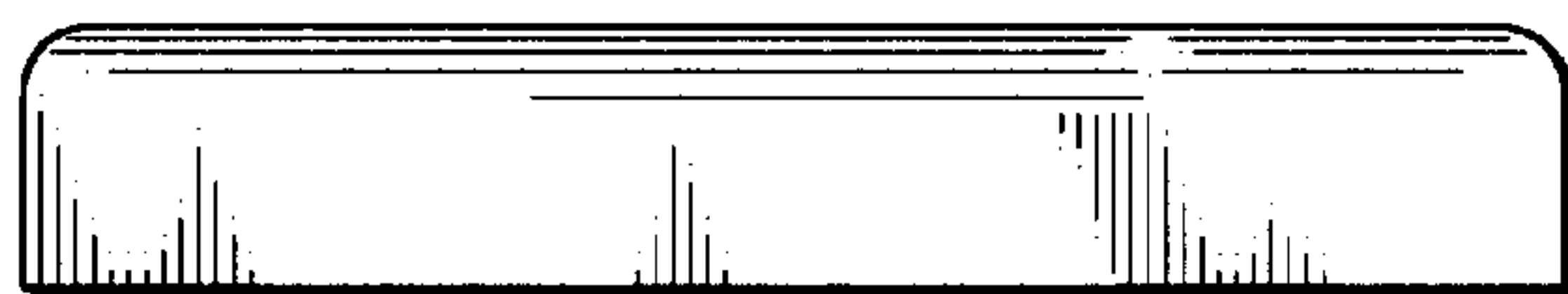


Fig. 5

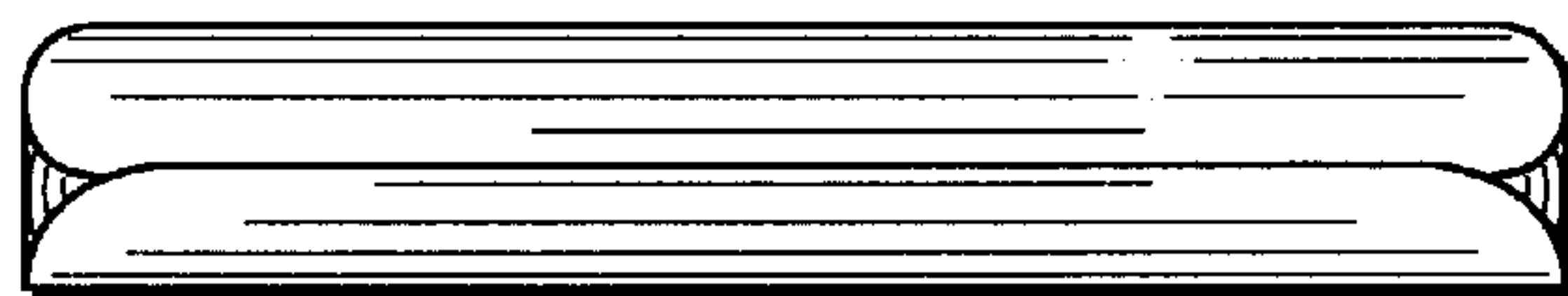


Fig. 6

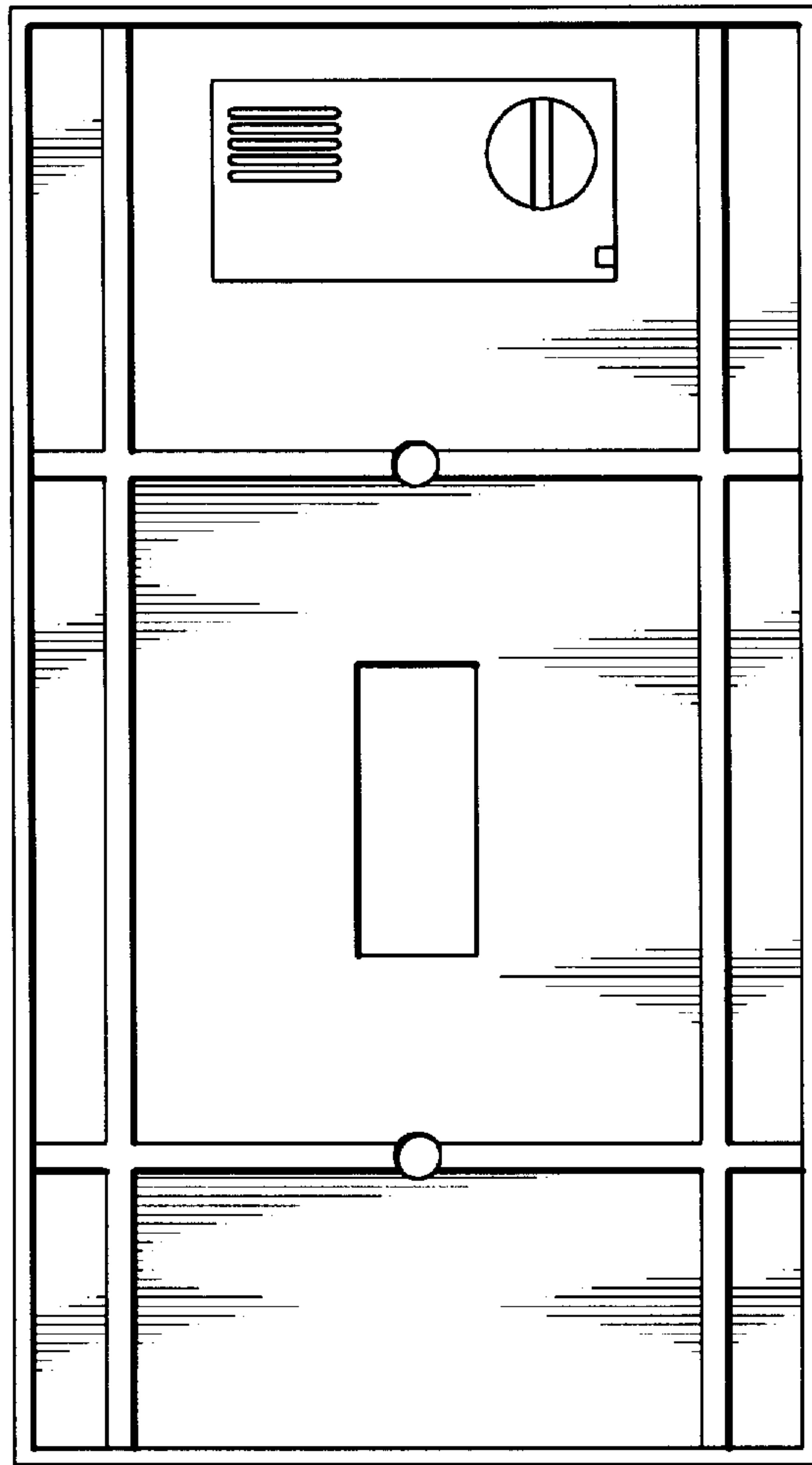
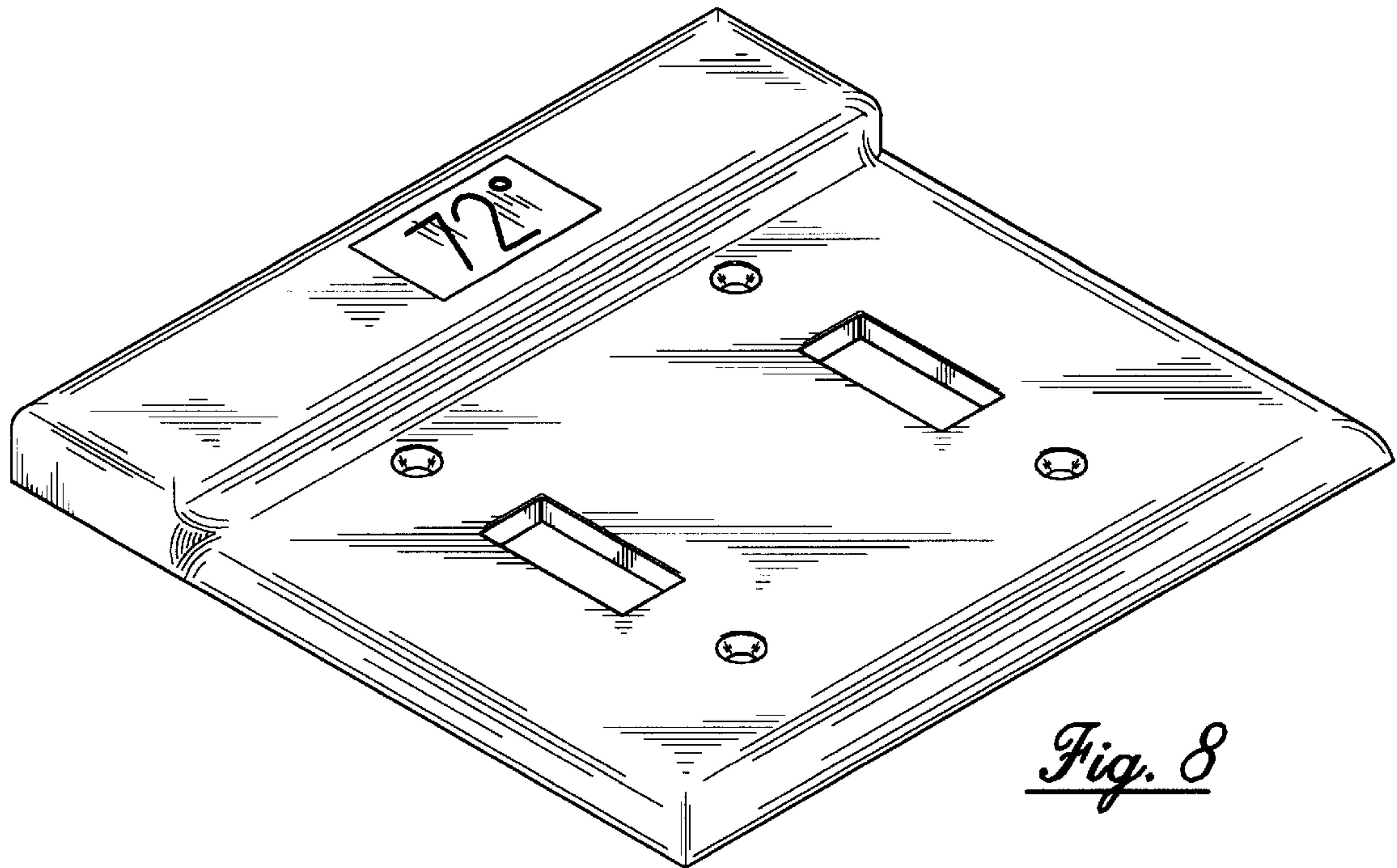
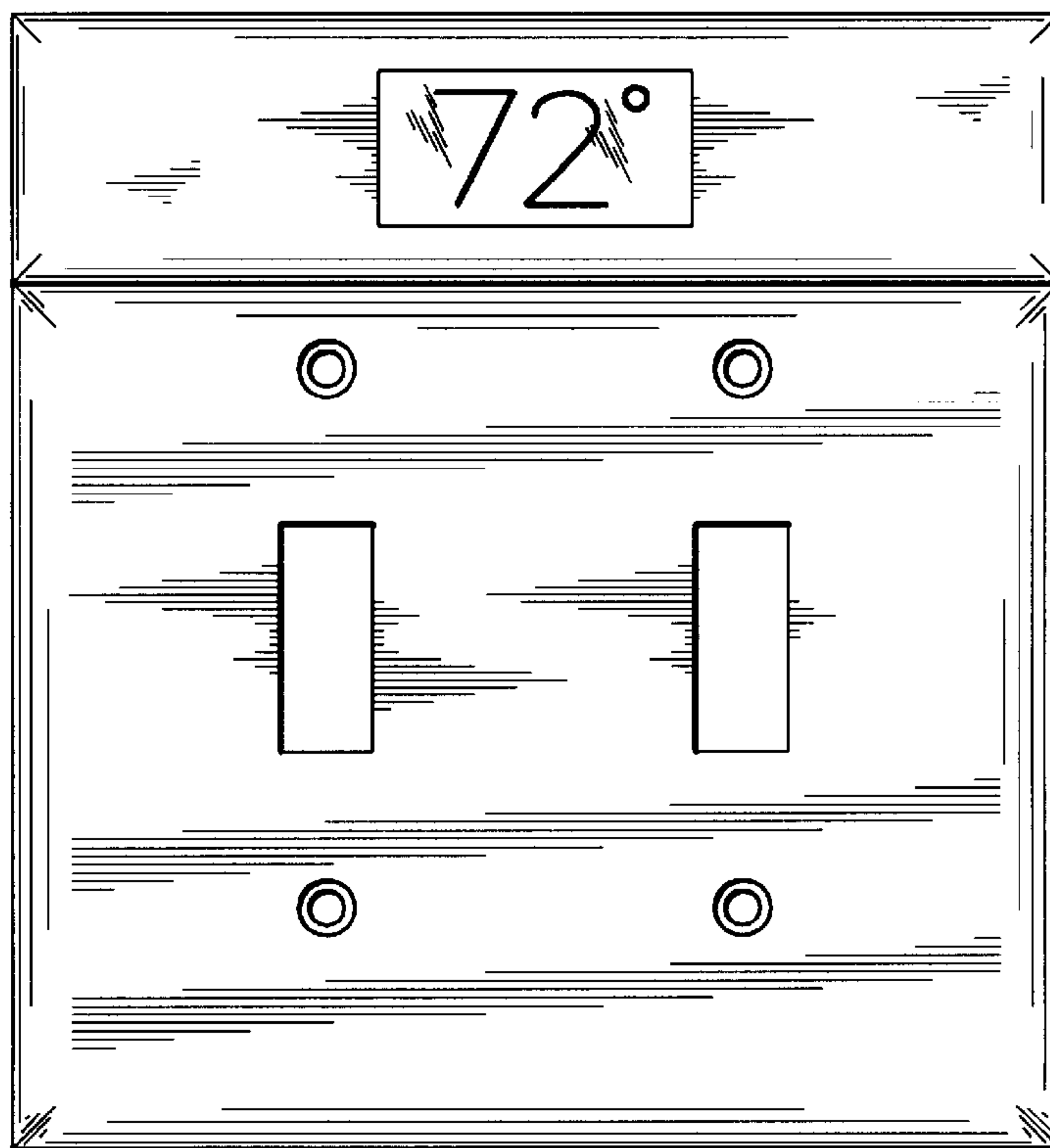


Fig. 7



*Fig. 8*



*Fig. 9*



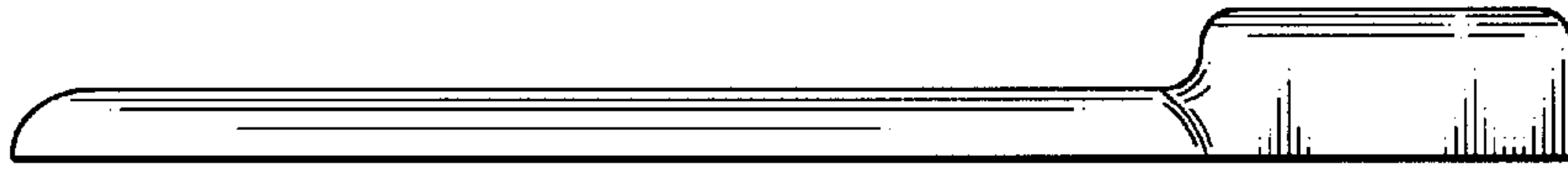


Fig. 10

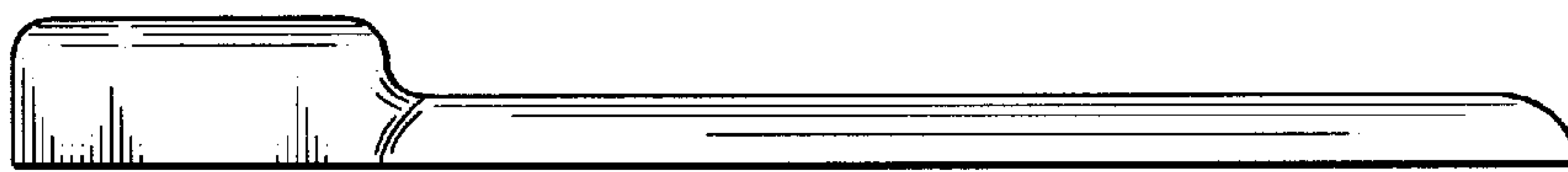


Fig. 11

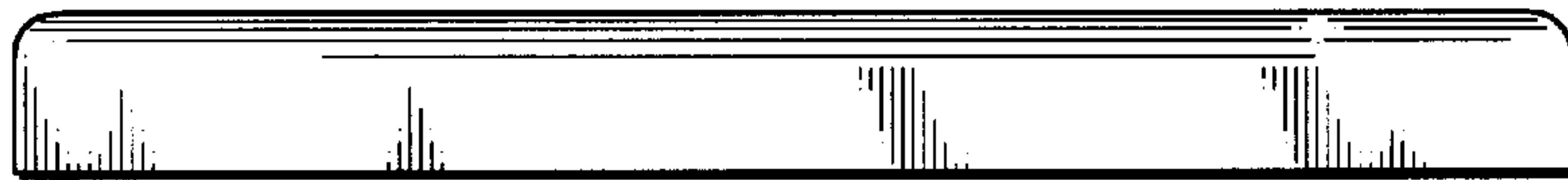


Fig. 12

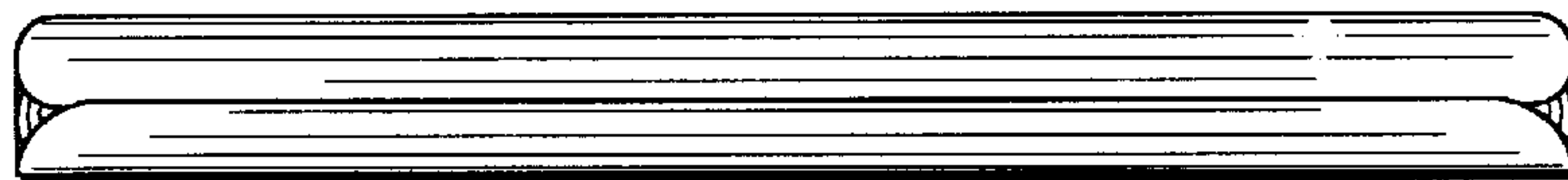


Fig. 13

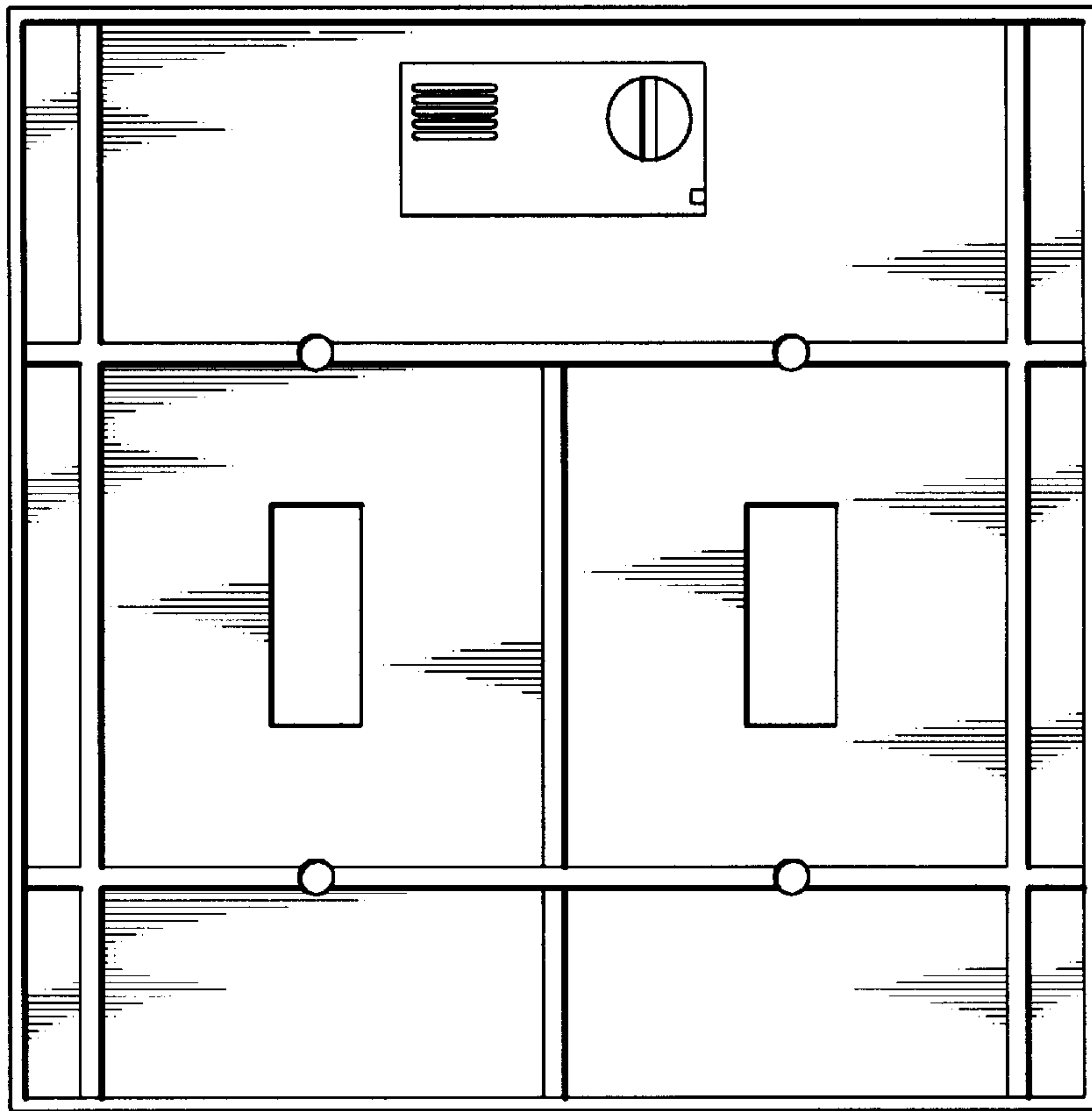


Fig. 14

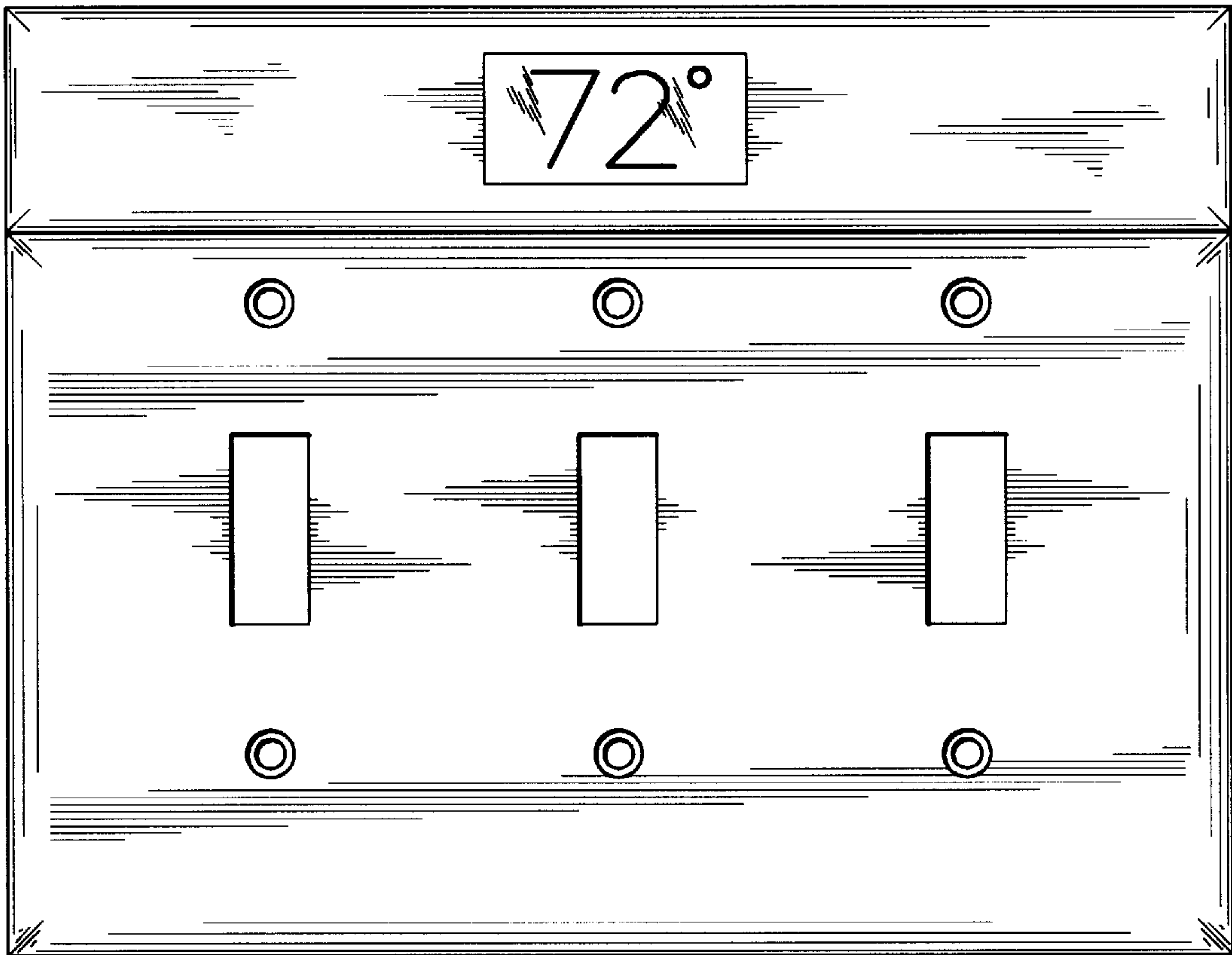
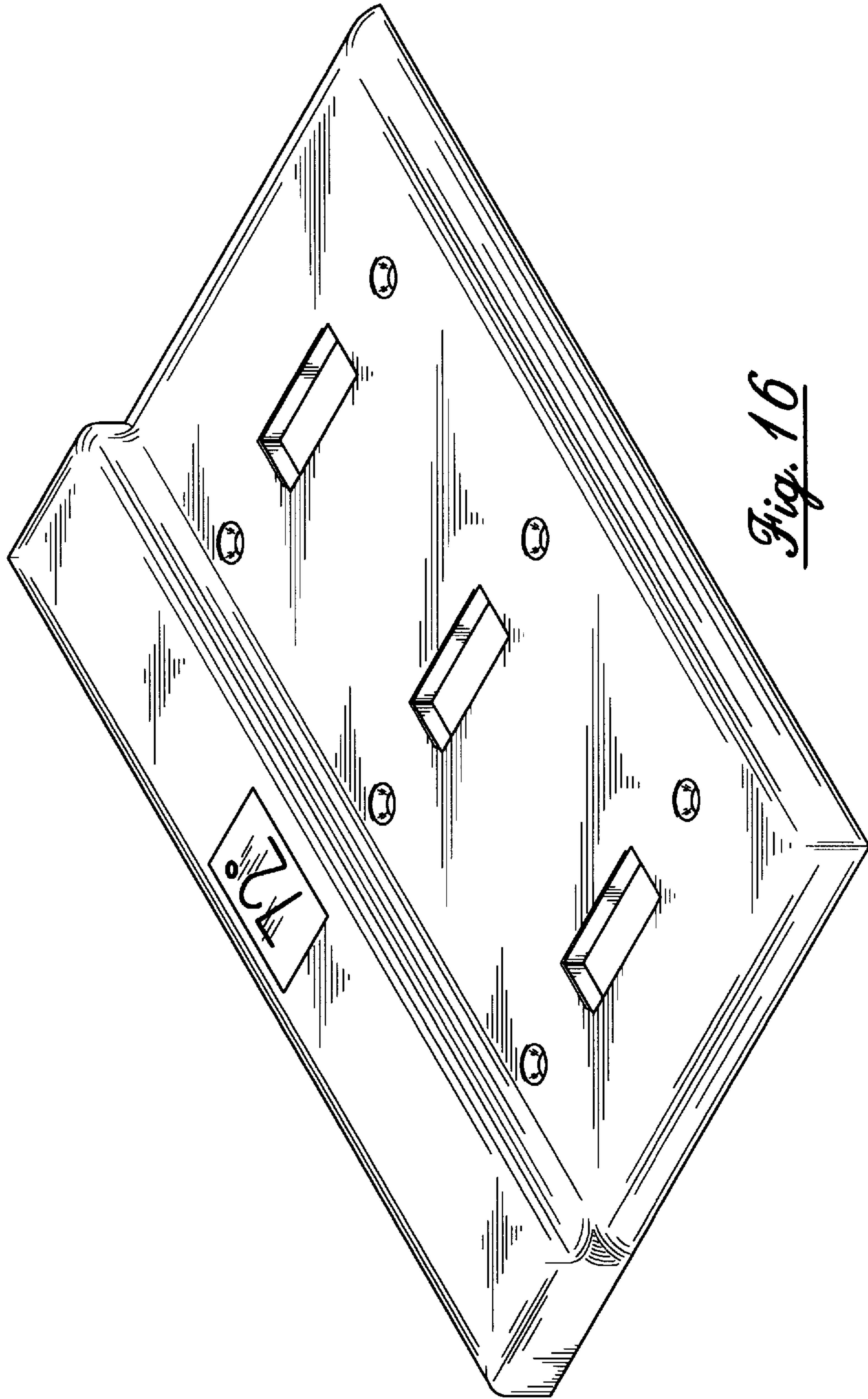


Fig. 15





*Fig. 16*

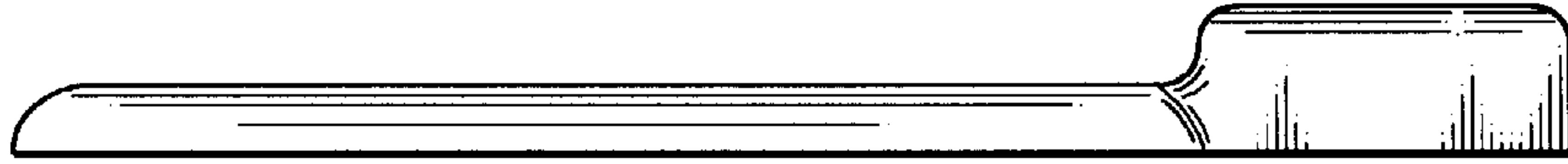


Fig. 17



Fig. 18

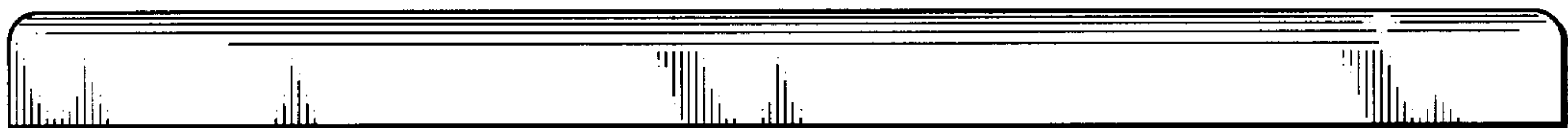


Fig. 19

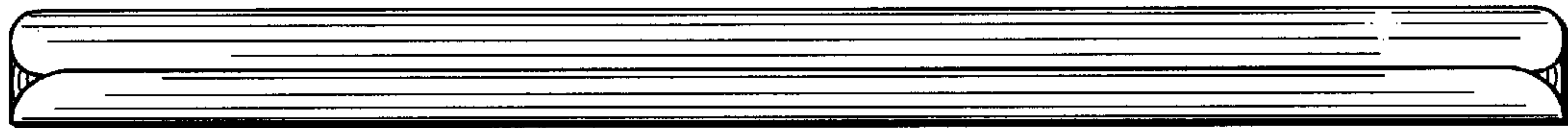


Fig. 20

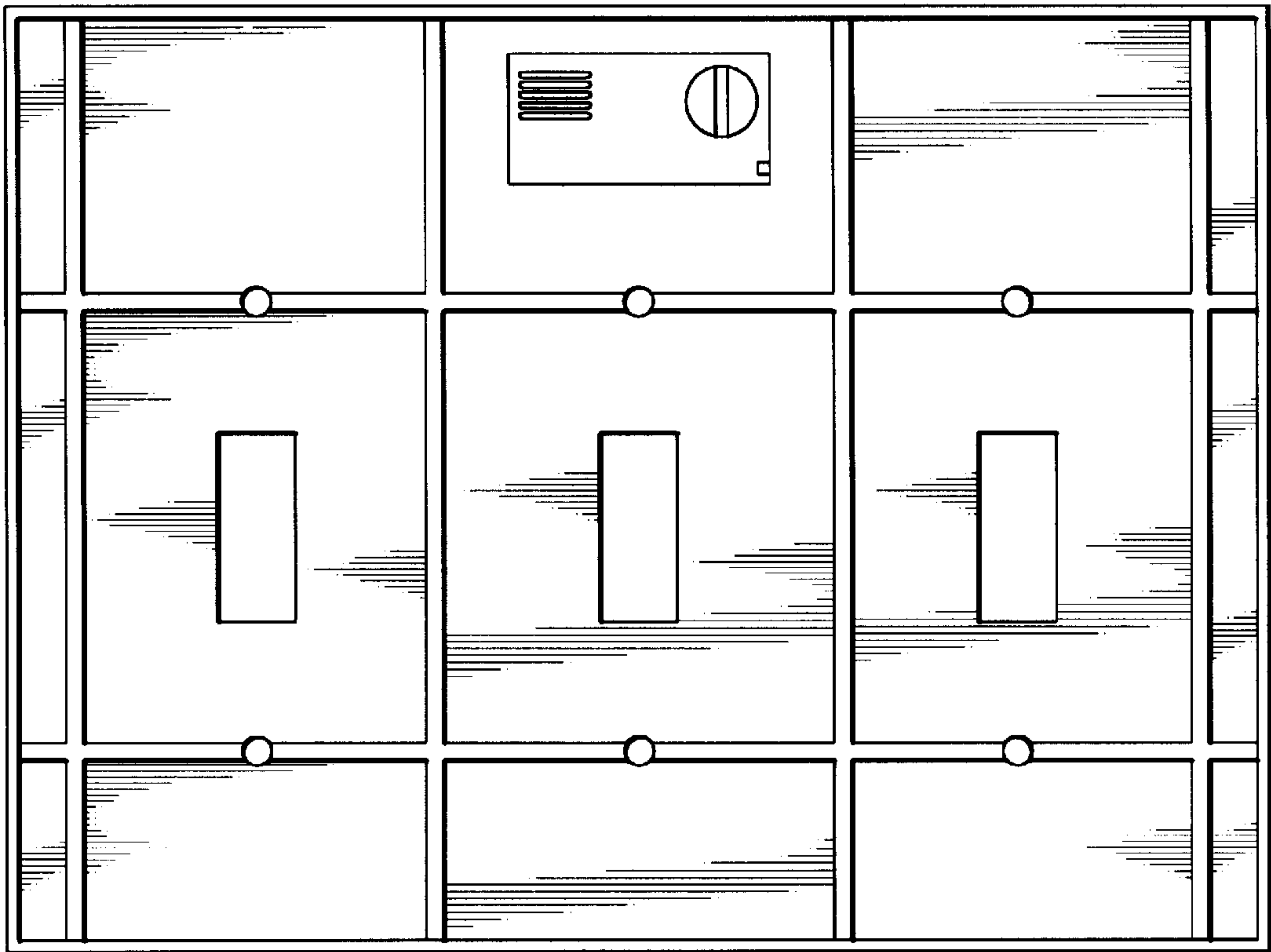
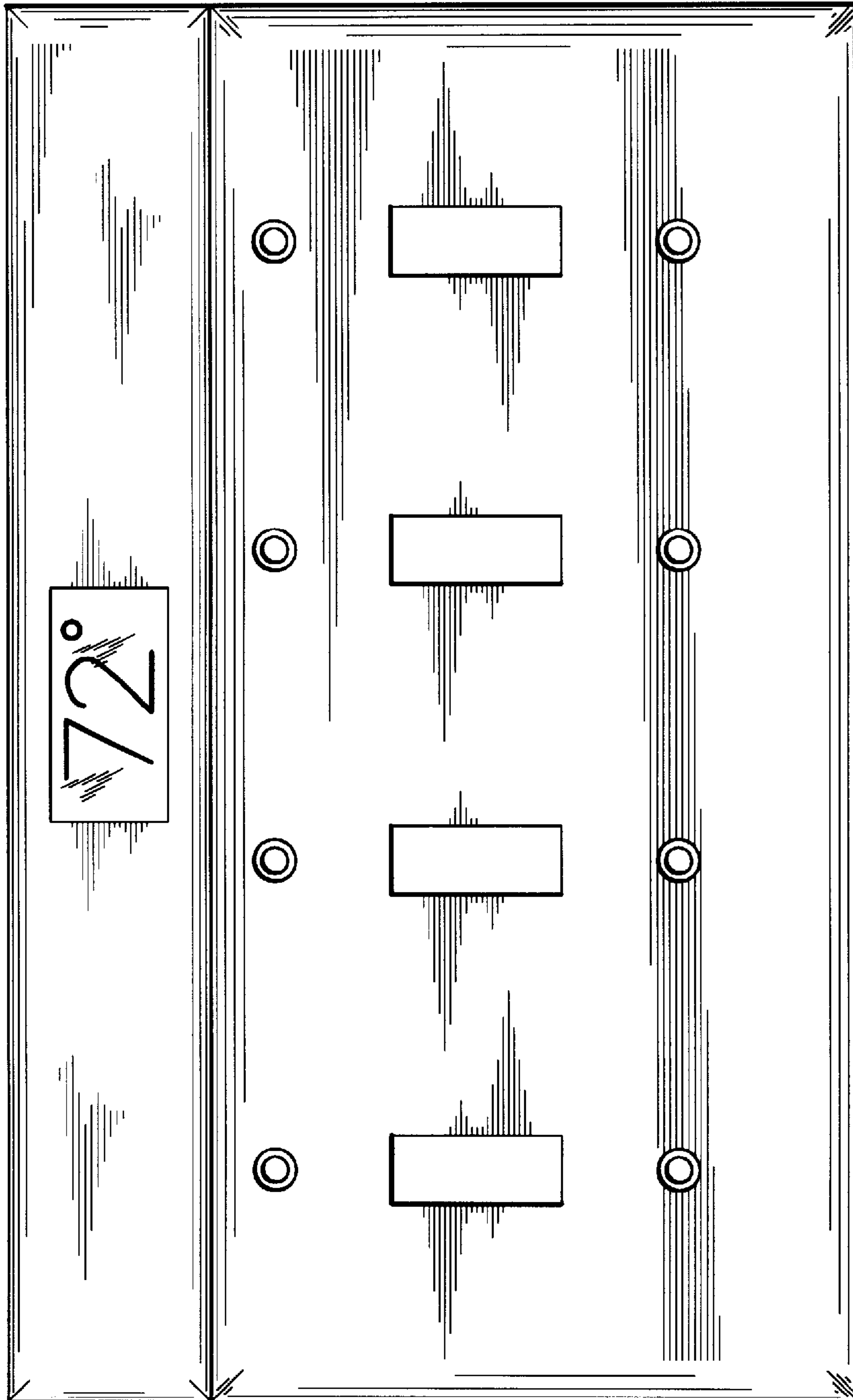
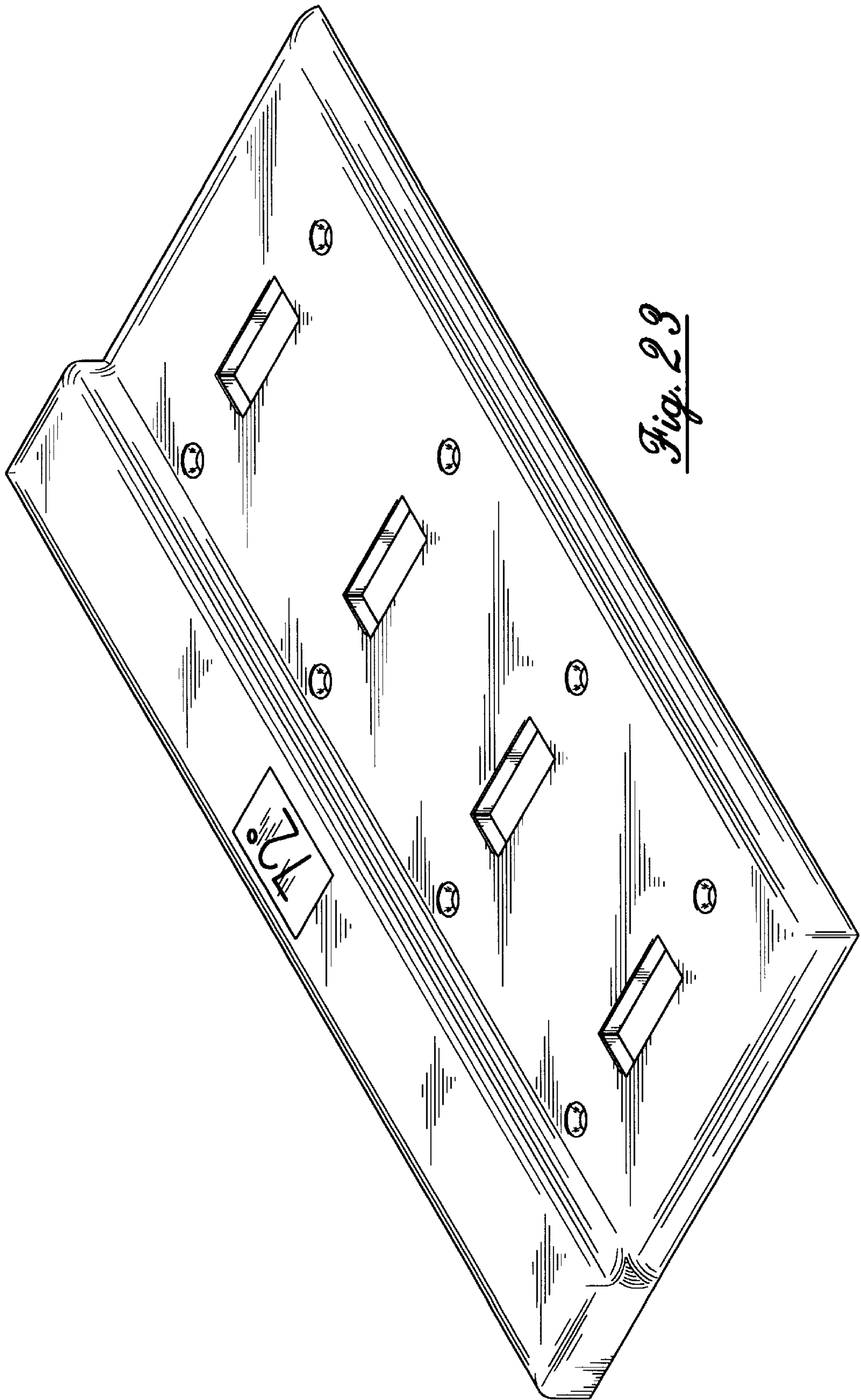


Fig. 21



*Fig. 22*



*Fig. 23*



Fig. 24

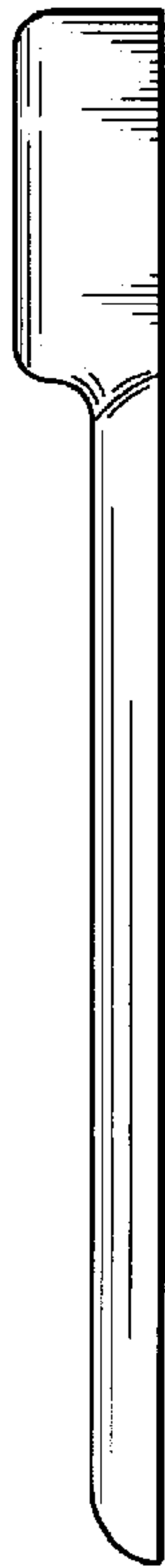


Fig. 25



Fig. 26

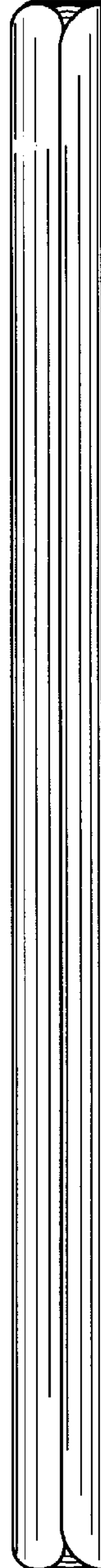
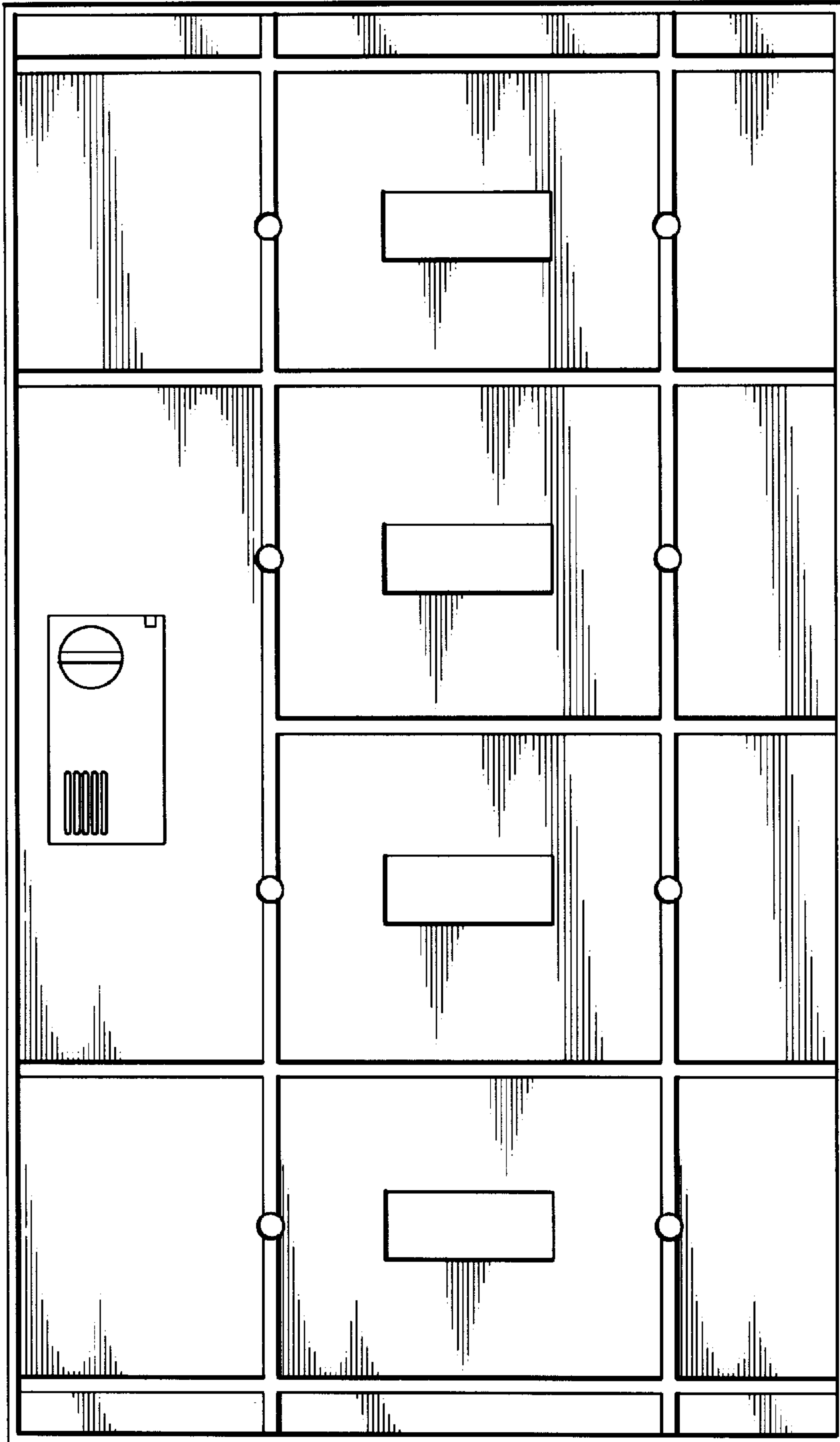


Fig. 27





*Fig. 28*