



US00D407068S

United States Patent [19] Harada

[11] **Patent Number: Des. 407,068**

[45] **Date of Patent: ***Mar. 23, 1999**

[54] **BULB SOCKET**

[75] Inventor: **Tadashi Harada**, Shizuoka, Japan

[73] Assignee: **Koito Manufacturing Co., Ltd.**,
Shizuoka, Japan

[*] Notice: The term of this patent shall not extend beyond the expiration date of Pat. No. Des. 402,959.

[**] Term: **14 Years**

[21] Appl. No.: **70,607**

[22] Filed: **May 9, 1997**

[51] **LOC (6) Cl. 13-03**

[52] **U.S. Cl. D13/134**

[58] **Field of Search** D13/134, 146;
313/51, 318.07; 439/419, 558, 602, 605,
660, 699.2, 611, 612, 336, 356, 354; 362/226

[56] **References Cited**

U.S. PATENT DOCUMENTS

D. 317,751 6/1991 Kozono D13/147

4,647,132 3/1987 Mikola 439/611 X
5,120,239 6/1992 Witek, Jr. 439/349
5,634,823 6/1997 Furuta et al. 439/699.2
5,716,240 2/1998 Harada 439/699.2

FOREIGN PATENT DOCUMENTS

407254466 10/1995 Japan .

Primary Examiner—Joel Sincavage
Attorney, Agent, or Firm—Sughrue, Mion, Zinn, Macpeak & Seas, PLLC

[57] **CLAIM**

The ornamental design for a bulb socket, as shown.

DESCRIPTION

FIG. 1 is a perspective view of the front, top and right side of a bulb socket showing my new design; FIG. 2 is a front elevational view thereof; FIG. 3 is a rear elevational view thereof; FIG. 4 is a left side elevational view thereof; FIG. 5 is a right side elevational view thereof; FIG. 6 is a top plan view thereof; and, FIG. 7 is a bottom plan view thereof.

1 Claim, 4 Drawing Sheets

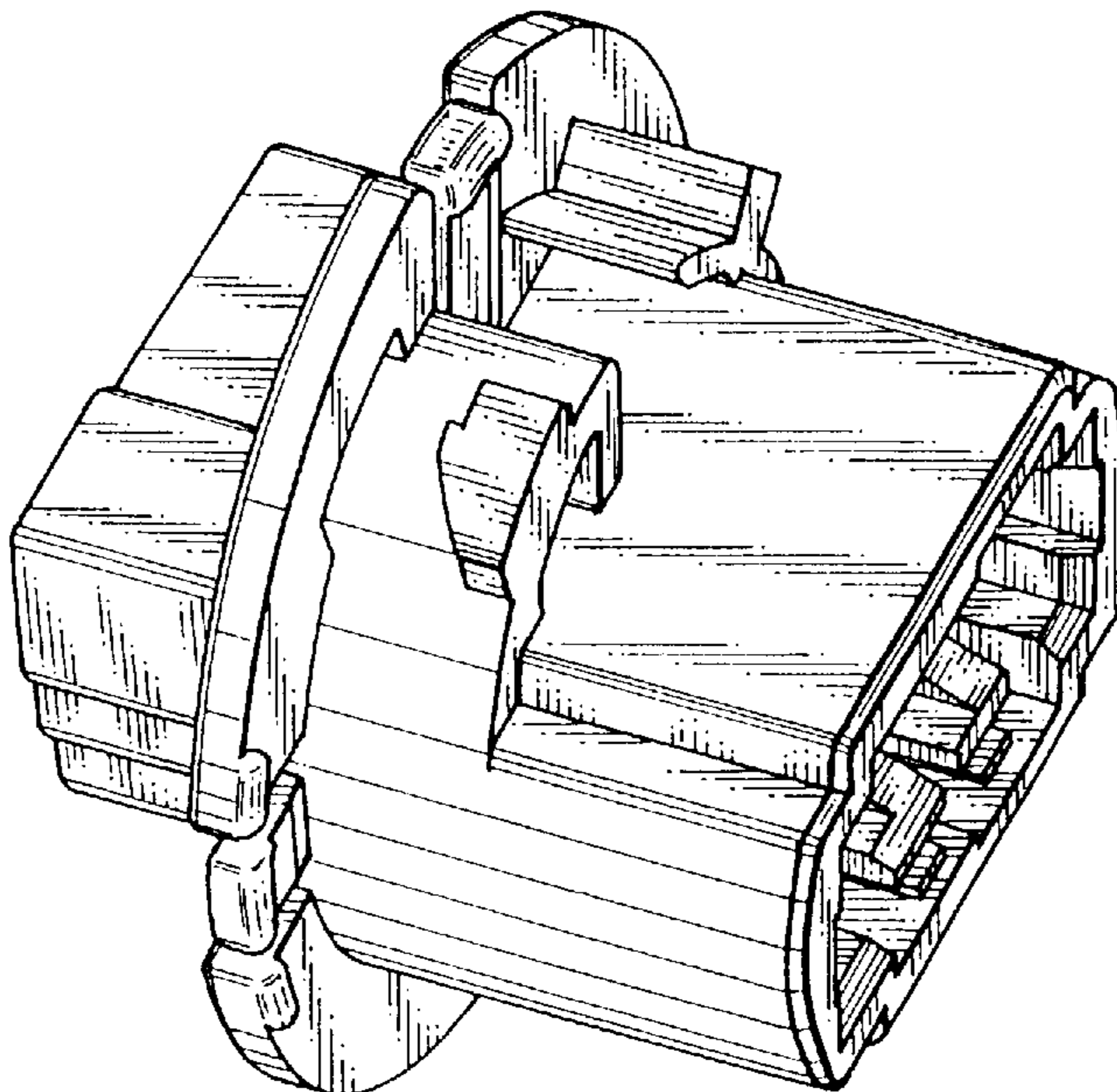


Fig. 1

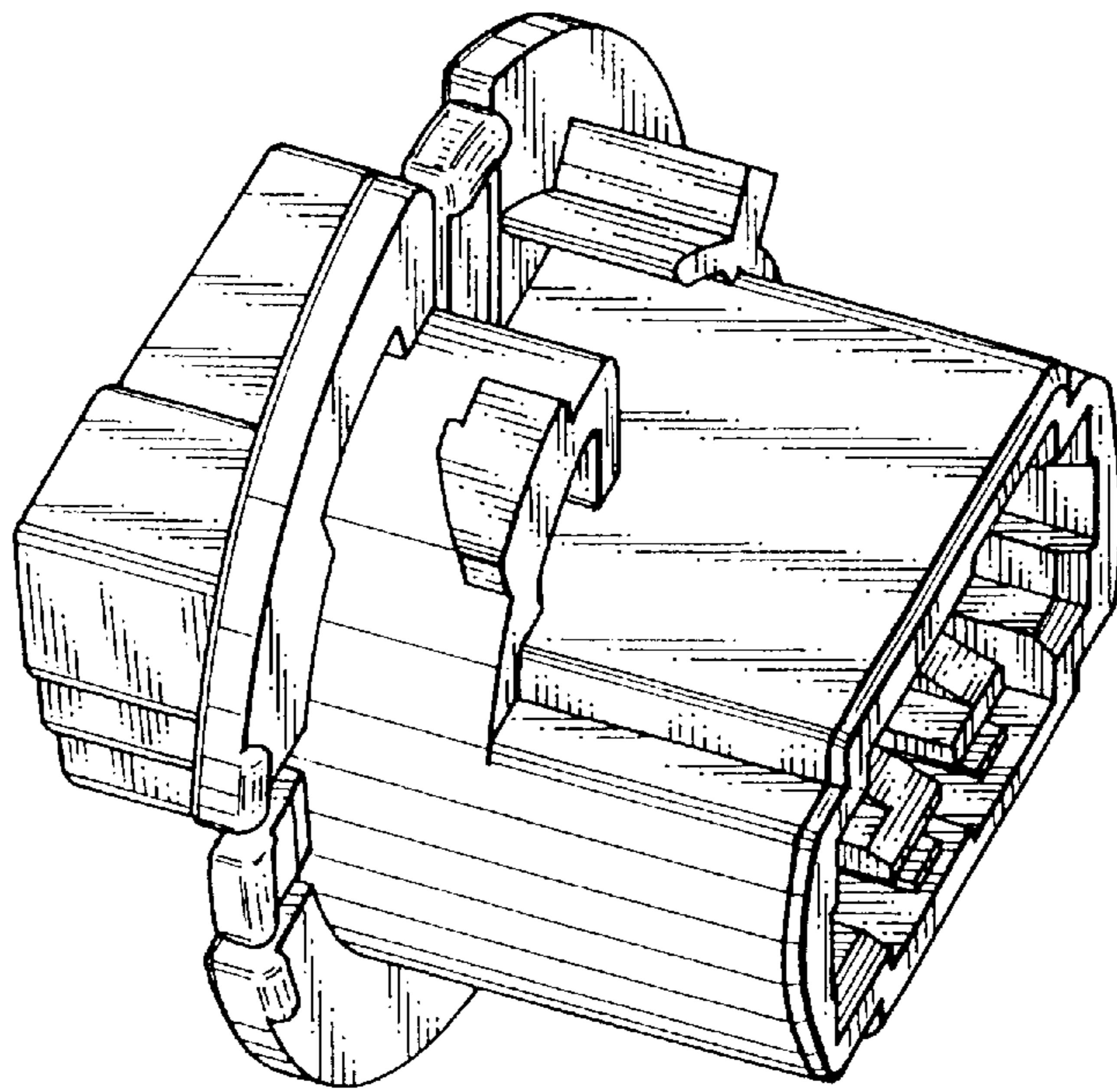


Fig. 2

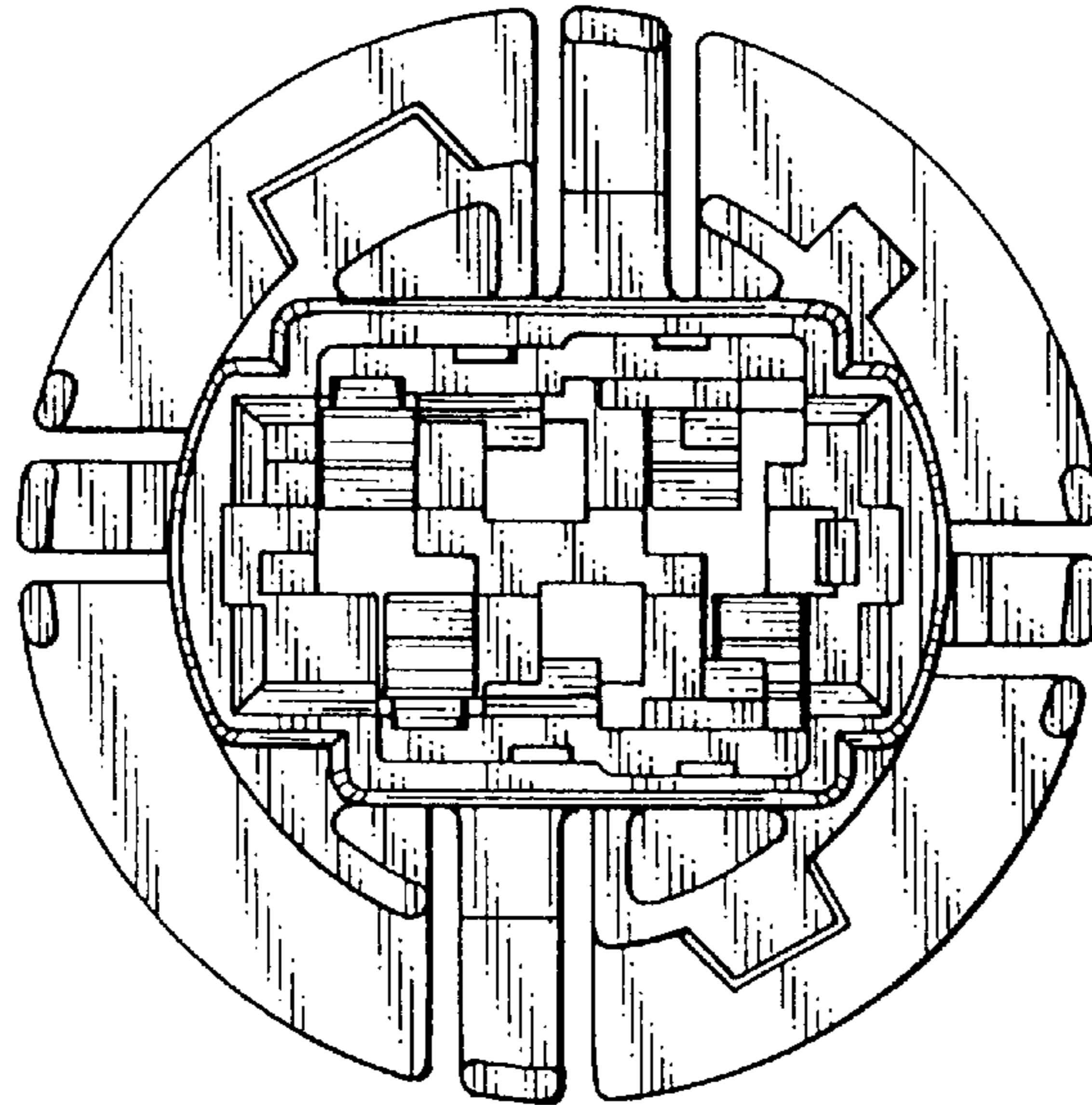


Fig. 3

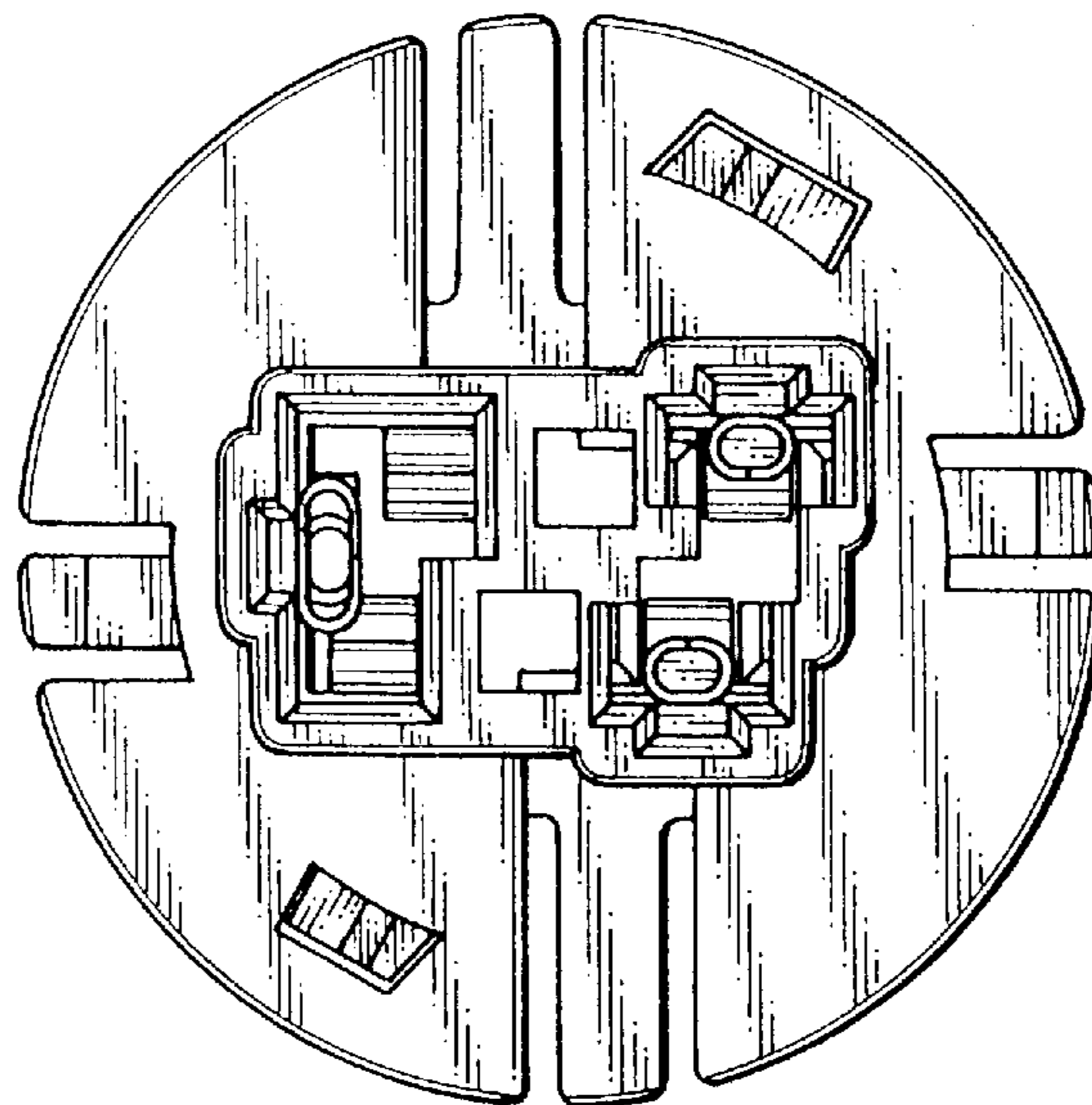


Fig. 4

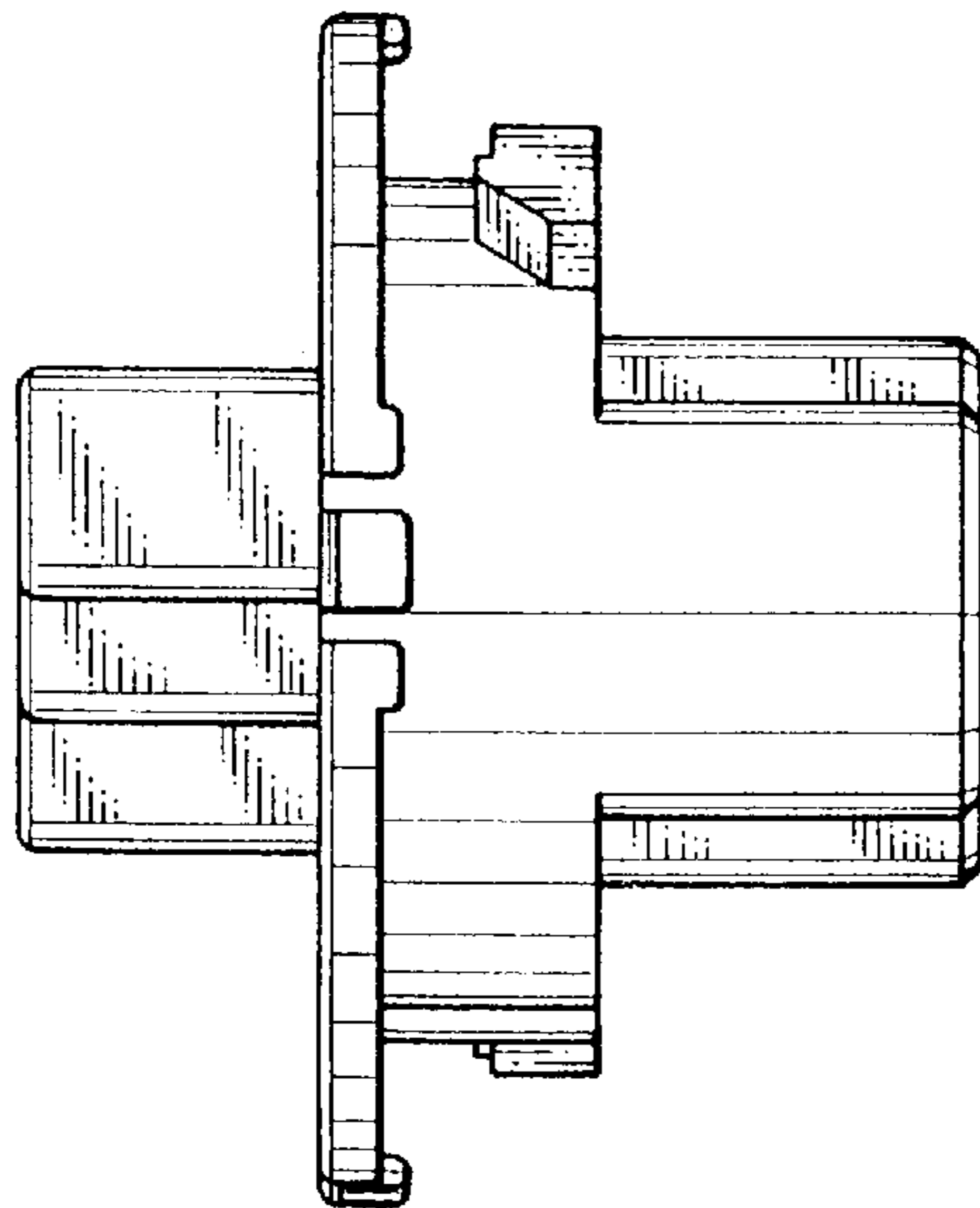


Fig. 5

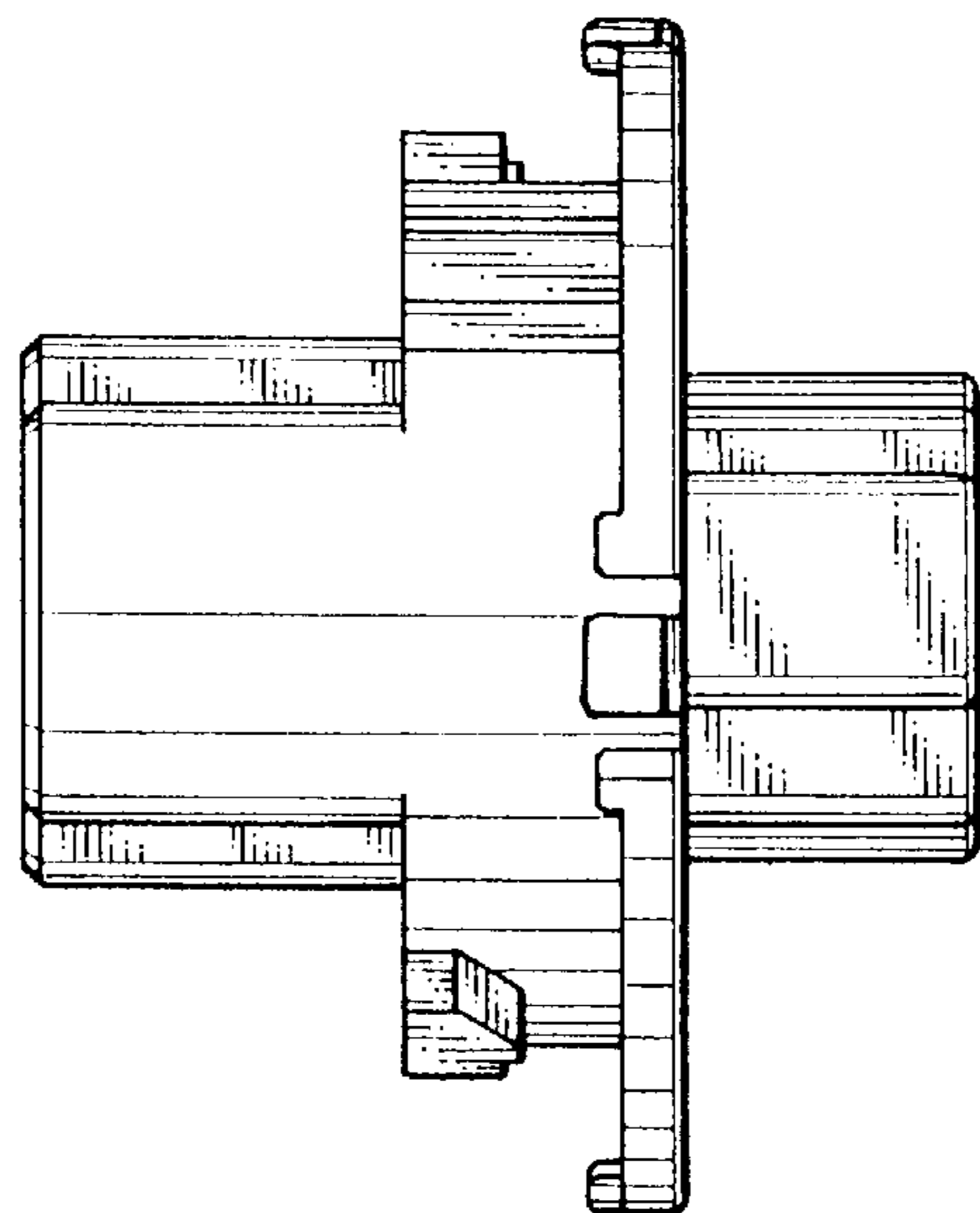


Fig. 6

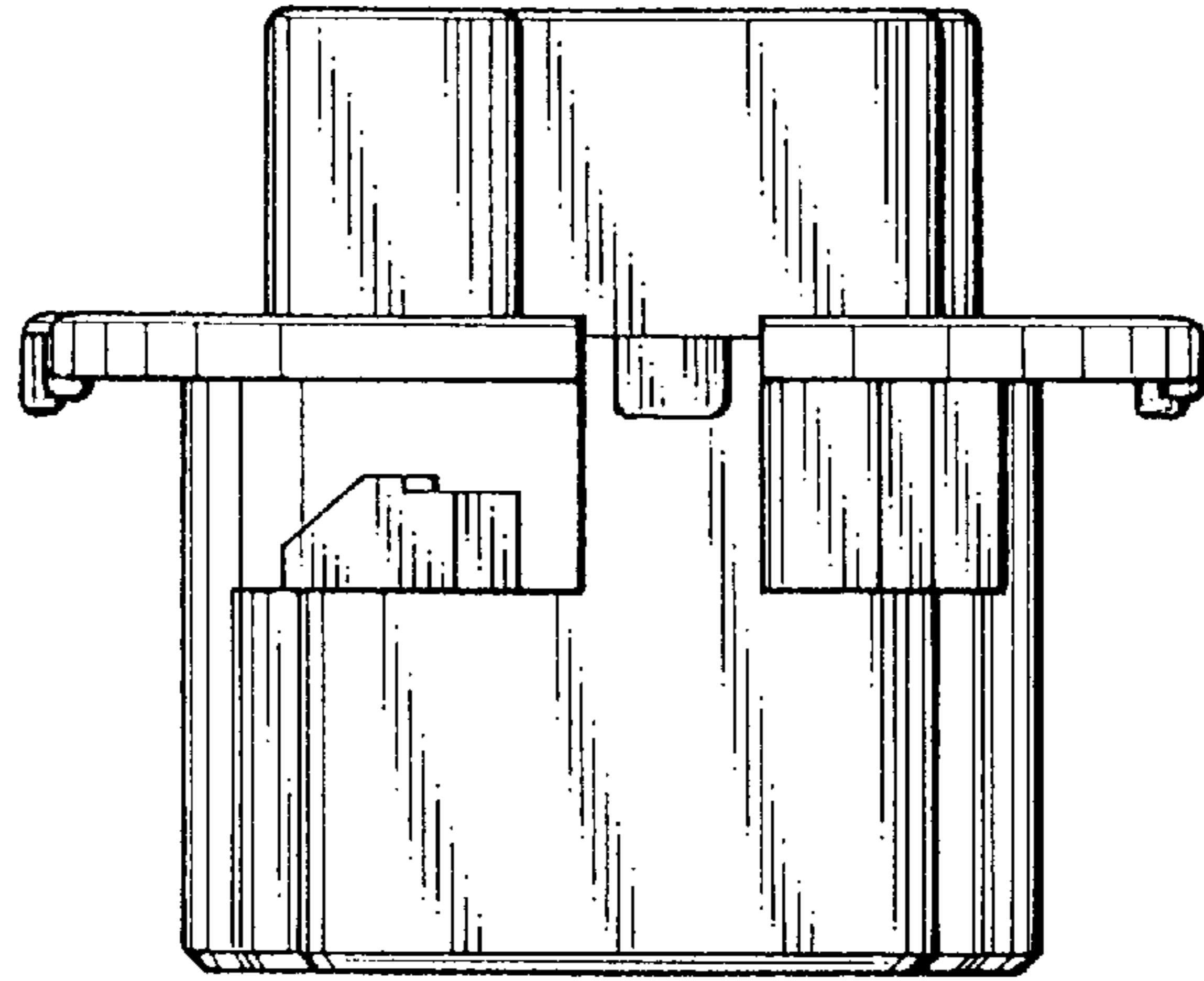


Fig. 7

