



US00D407067S

# United States Patent [19] Ekerson

[11] **Patent Number: Des. 407,067**

[45] **Date of Patent: \*\*Mar. 23, 1999**

[54] **SPARK PLUG PROTECTOR CAP**

1,874,825 8/1932 Sommer ..... 123/169 PA  
2,417,848 3/1947 Waite, Jr. .... 174/146 X

[75] Inventor: **David A. Ekerson**, 18085 SW.  
Kinnaman, Aloha, Oreg. 97007

*Primary Examiner*—Joel Sincavage  
*Attorney, Agent, or Firm*—Klarquist Sparkman Campbell  
Leigh & Winston, LLP

[73] Assignee: **David A. Ekerson**, Aloha, Oreg.

[\*\*] Term: **14 Years**

### [57] CLAIM

[21] Appl. No.: **68,233**

The ornamental design for a spark plug protector cap, as shown and described.

[22] Filed: **Mar. 28, 1997**

### DESCRIPTION

[51] **LOC (6) Cl.** ..... **13-03**

[52] **U.S. Cl.** ..... **D13/127**

[58] **Field of Search** ..... D13/127; D3/300;  
D9/453, 443, 444, 445; 439/125; 206/327,  
211; 123/169 PA, 169 P; D28/88; 73/146.8;  
137/232, 377; 152/DIG. 13

FIG. 1 is a perspective view of one end of a spark plug protector cap according to my design; with dashed line illustrations showing a spark plug with which it would be used, but forming no part of the design;

FIG. 2 is a perspective view thereof from the opposite end; FIG. 3 is a view of one end thereof; FIG. 4 is a side view thereof; and, FIG. 5 is a view of the other end thereof.

### [56] References Cited

#### U.S. PATENT DOCUMENTS

D. 255,218	6/1980	Krag	.....	D3/300 X
D. 397,031	8/1998	Fricke	.....	D9/444
1,140,634	5/1915	Tyler	.....	137/232
1,203,943	11/1916	Ware	.....	206/327 X

The broken line showing of the spark plug in FIG. 1 is included for the purpose of illustrating environmental structure only and forms no part of the claimed design.

**1 Claim, 1 Drawing Sheet**

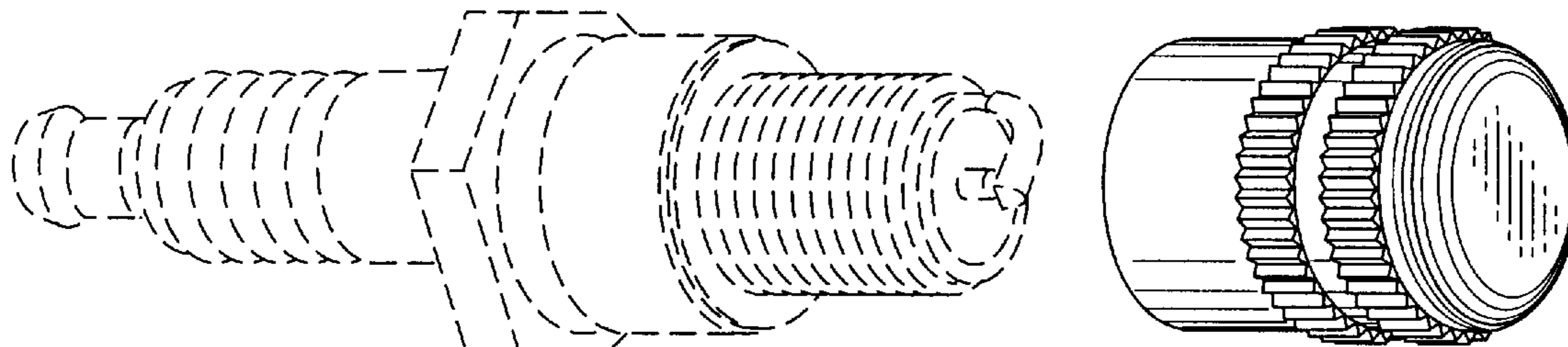


FIG. 1

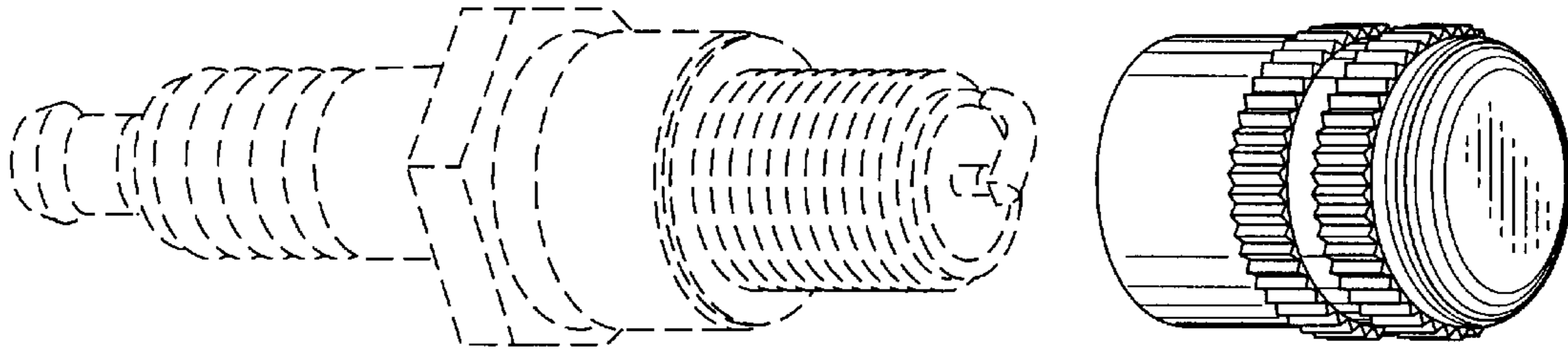


FIG. 2

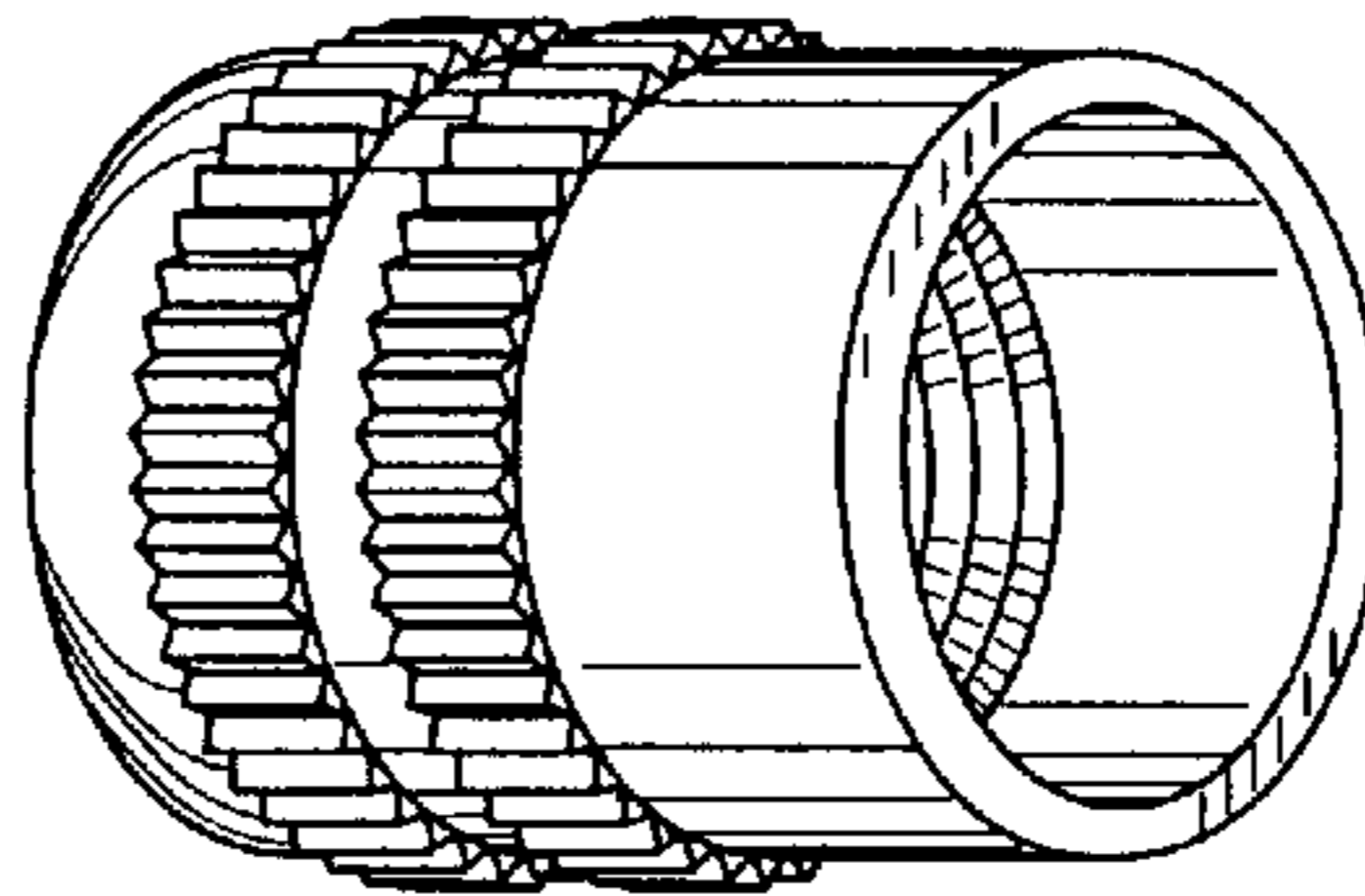


FIG. 3

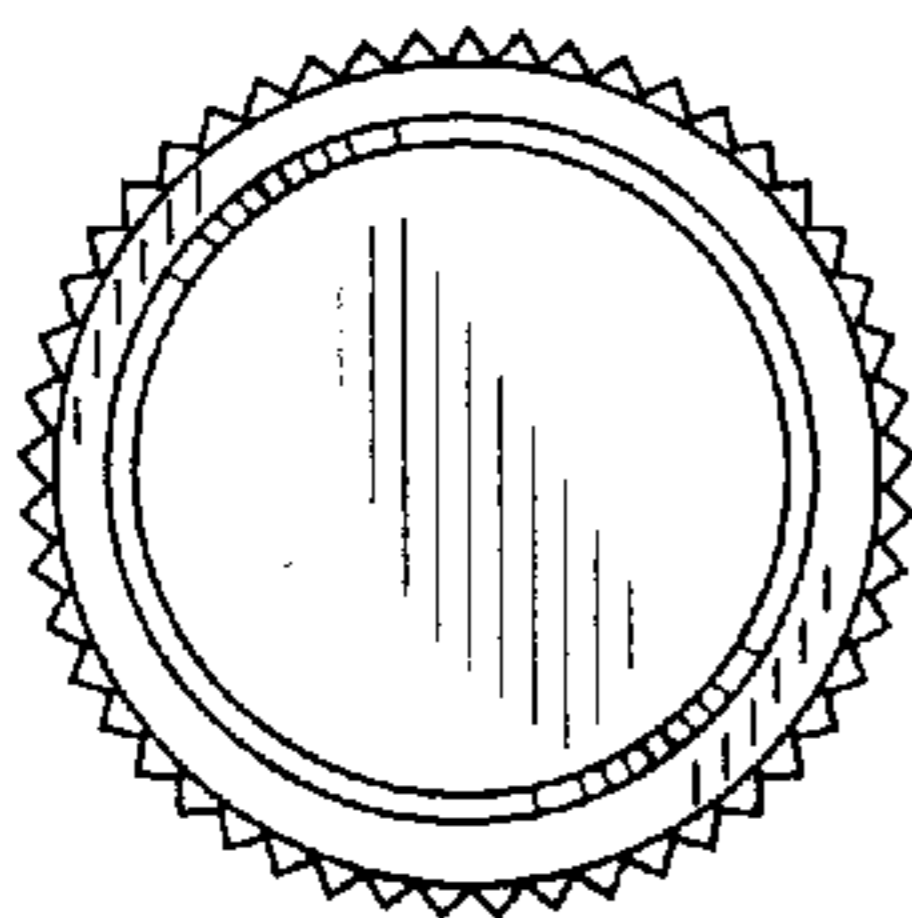


FIG. 4

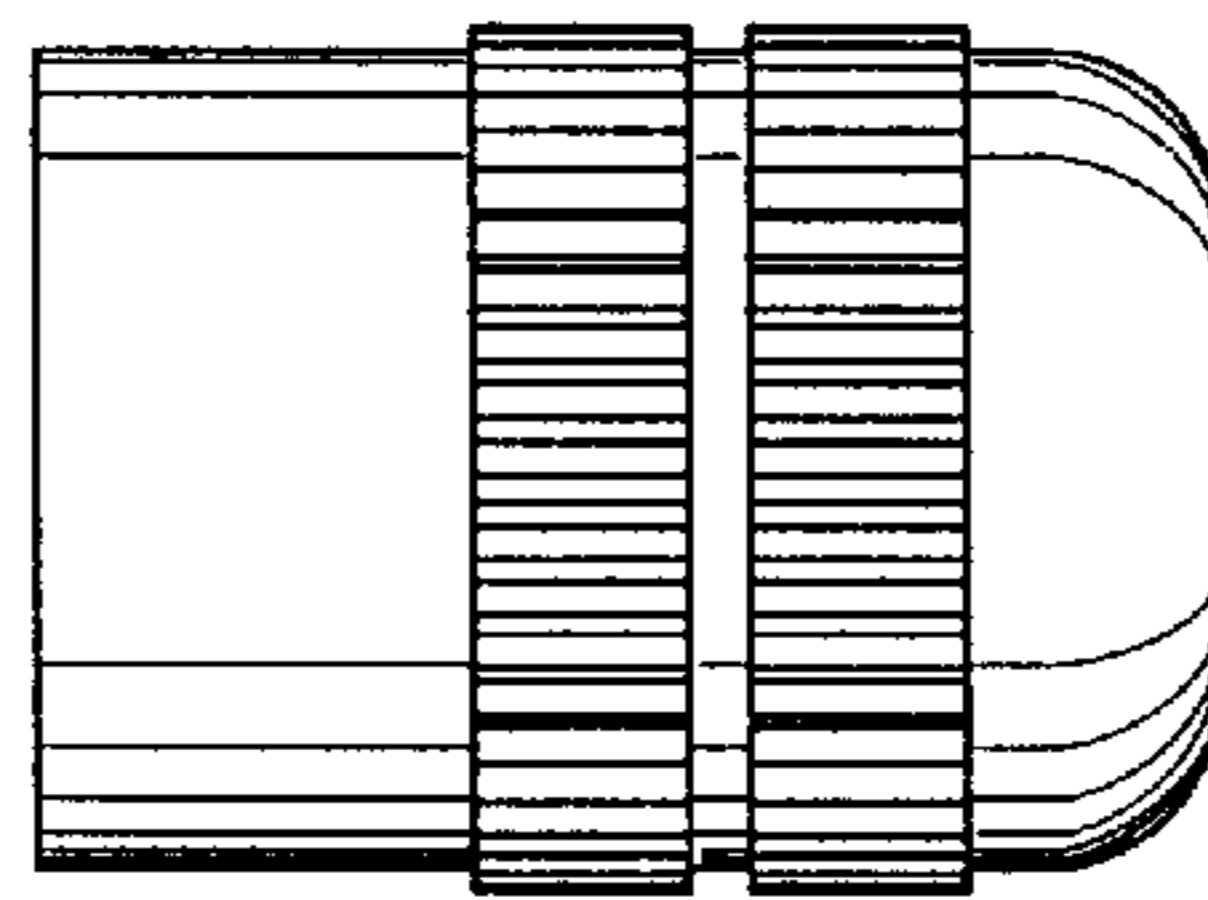


FIG. 5

