



US00D407066S

United States Patent [19] Renk

[11] **Patent Number: Des. 407,066**

[45] **Date of Patent: **Mar. 23, 1999**

[54] **POWER CONVERTER**

5,684,689 11/1997 Hahn 363/146
5,744,934 4/1998 Wu 363/146 X

[75] Inventor: **Thomas Edward Renk**, Indianapolis, Ind.

Primary Examiner—Joel Sincavage
Attorney, Agent, or Firm—Woodard, Emhardt, Naughton, Moriarty & McNett

[73] Assignee: **Thomson Consumer Electronics, Inc.**, Indianapolis, Ind.

[**] Term: **14 Years**

[57] **CLAIM**

The ornamental design for a power converter, as shown and described.

[21] Appl. No.: **84,613**

[22] Filed: **Mar. 6, 1998**

[51] **LOC (6) Cl.** **13-02**

[52] **U.S. Cl.** **D13/110**

[58] **Field of Search** D13/110; 307/150;
336/90; 363/146, 141

DESCRIPTION

FIG. 1 is a top plan view of a power converter showing my new design;

FIG. 2 is a front elevational view thereof;

FIG. 3 is a bottom plan view thereof;

FIG. 4 is a right side elevational view thereof, the left side elevational view being a mirror image of the right side elevational view; and,

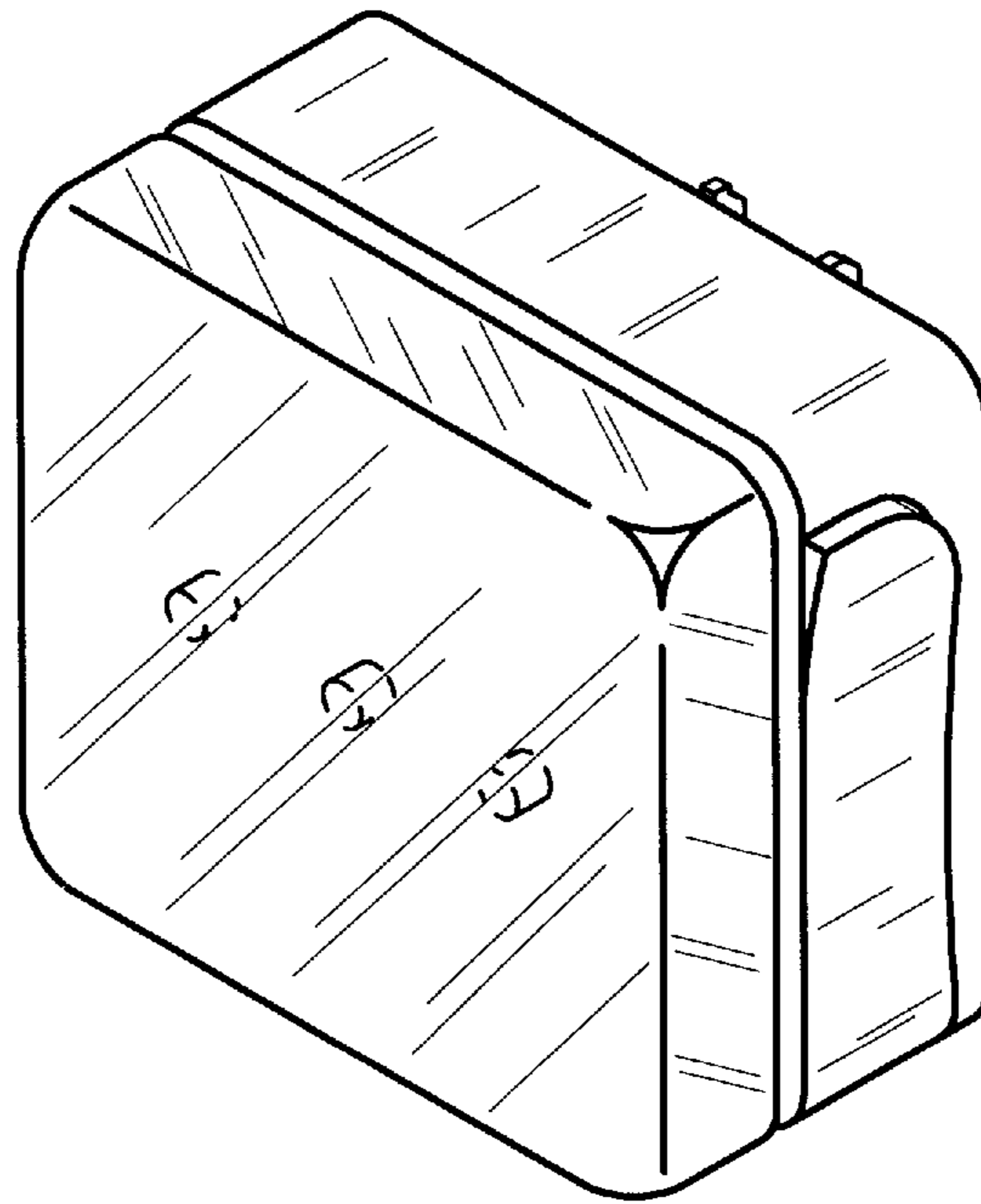
FIG. 5 is a front, right, and top perspective view thereof.

[56] **References Cited**

U.S. PATENT DOCUMENTS

- D. 350,113 8/1994 Nagele D13/110
- D. 367,257 2/1996 Buelow et al. D13/110

1 Claim, 2 Drawing Sheets



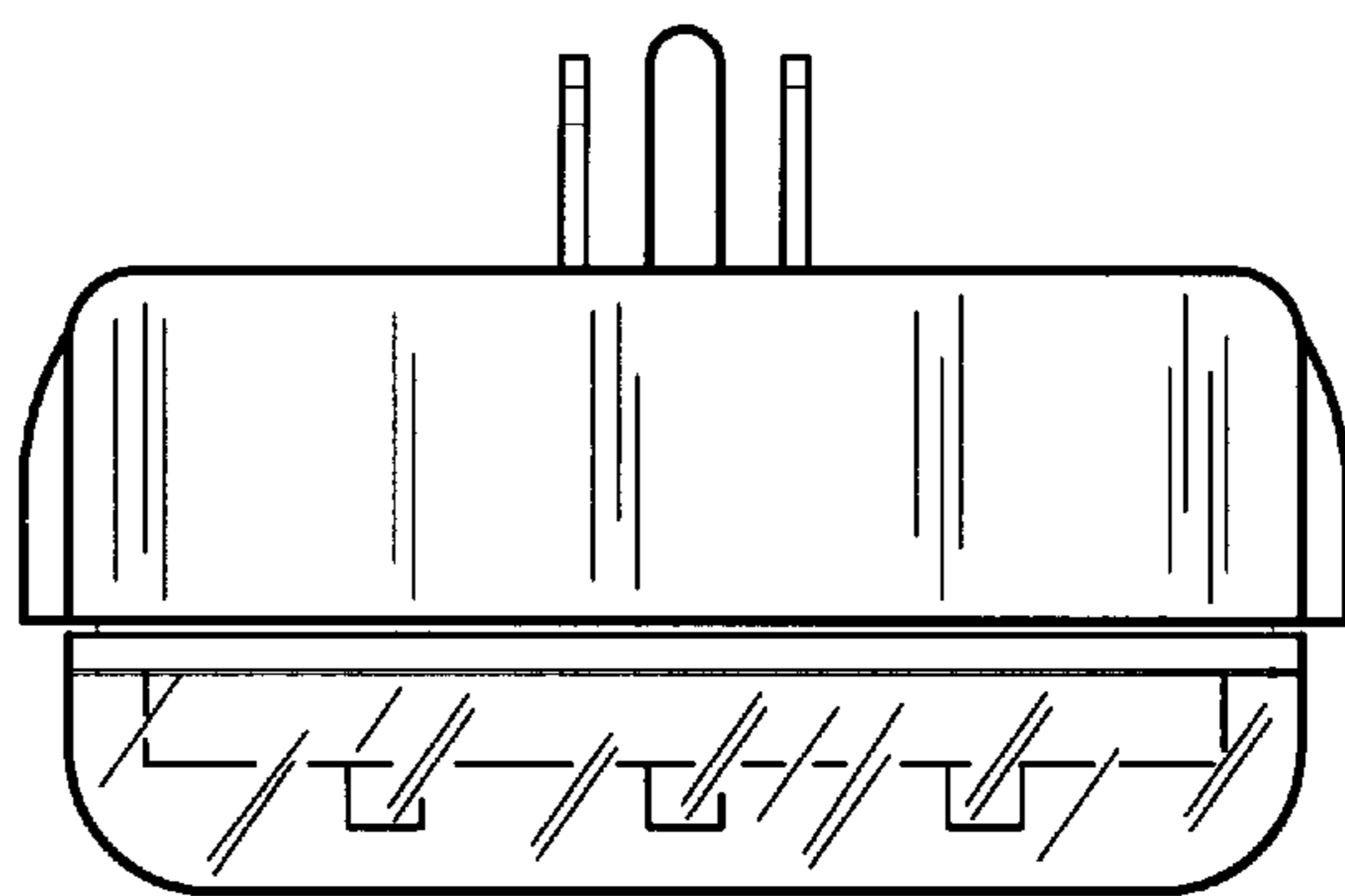


FIG. 1

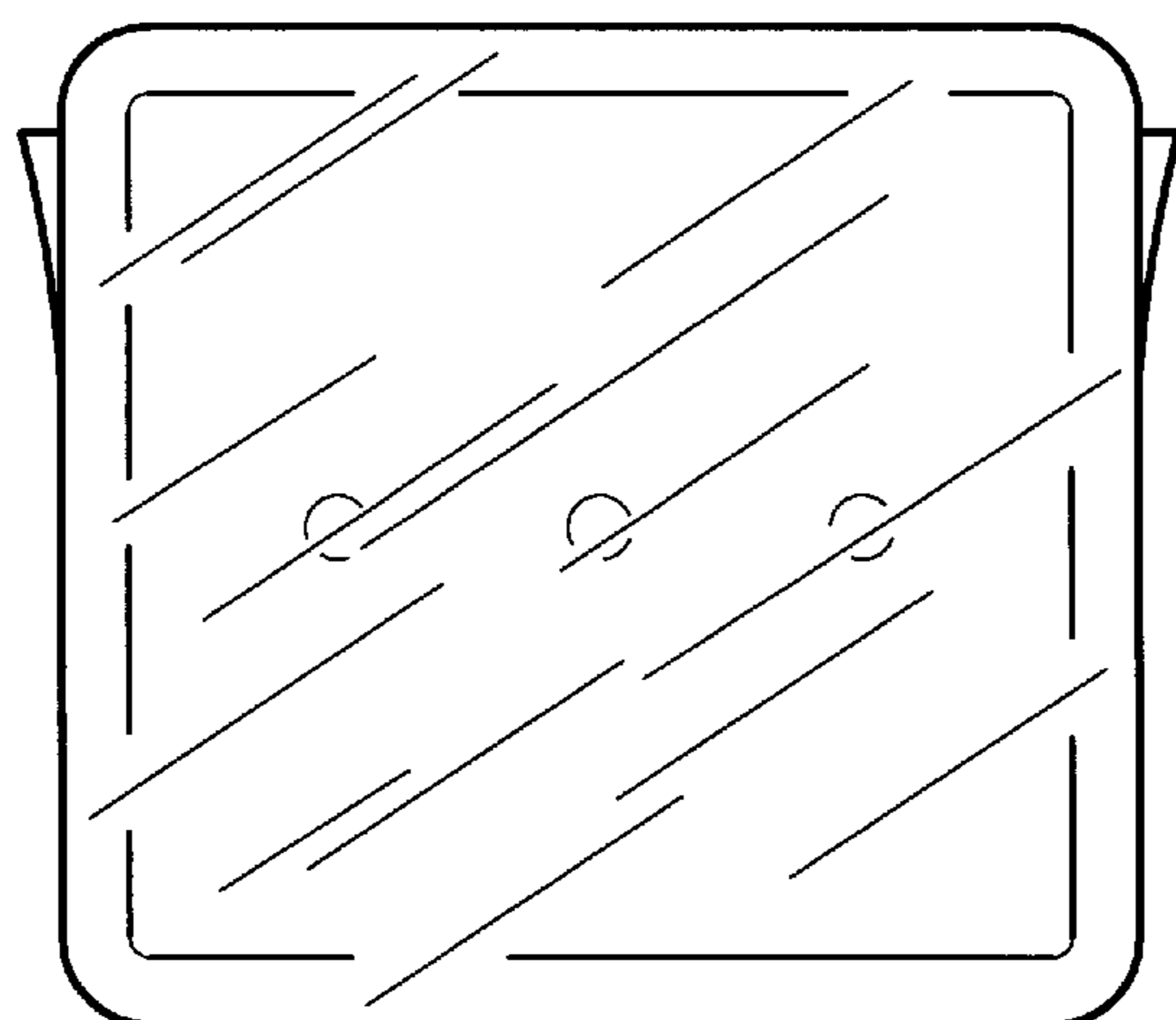


FIG. 2

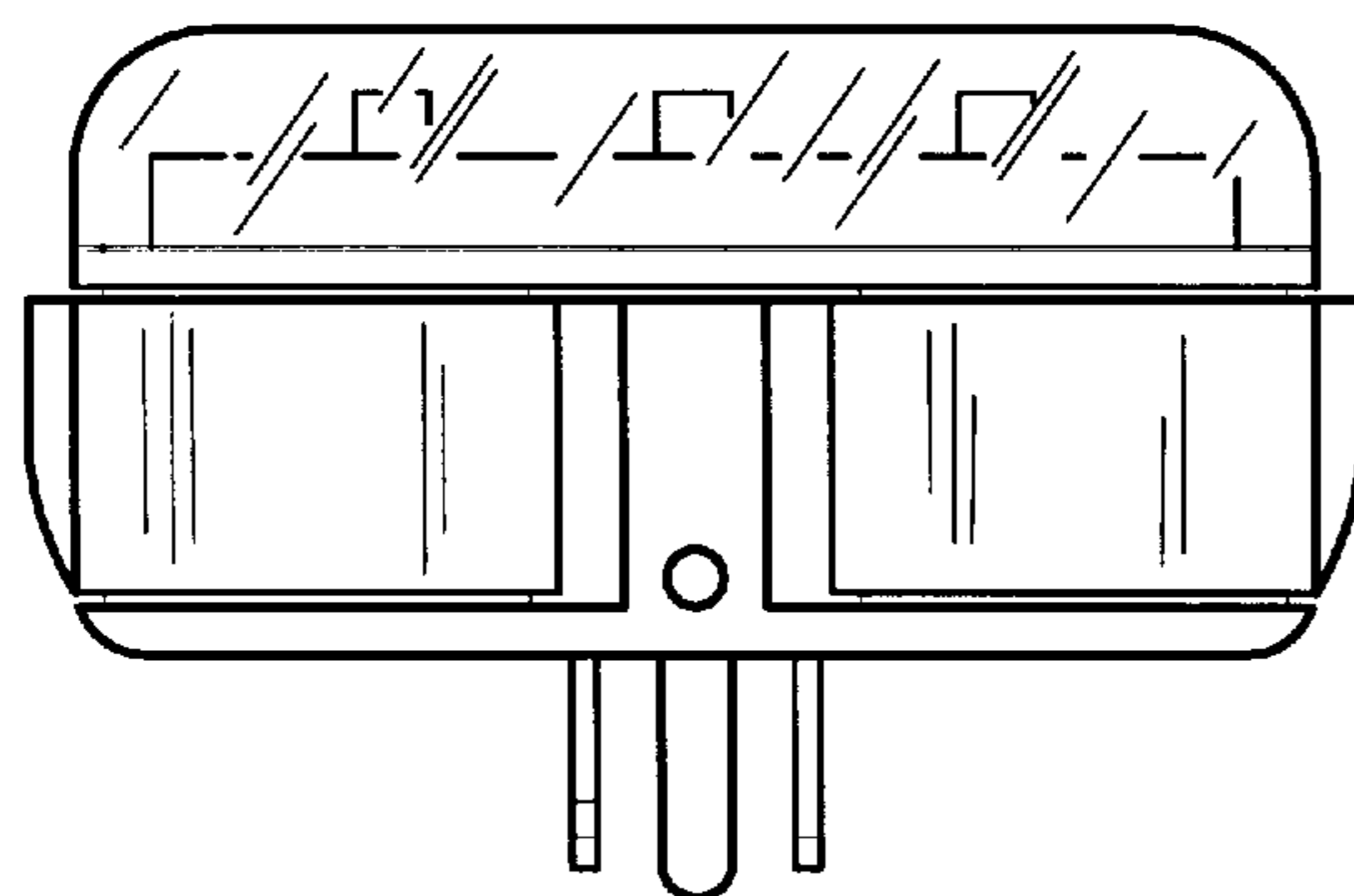


FIG. 3

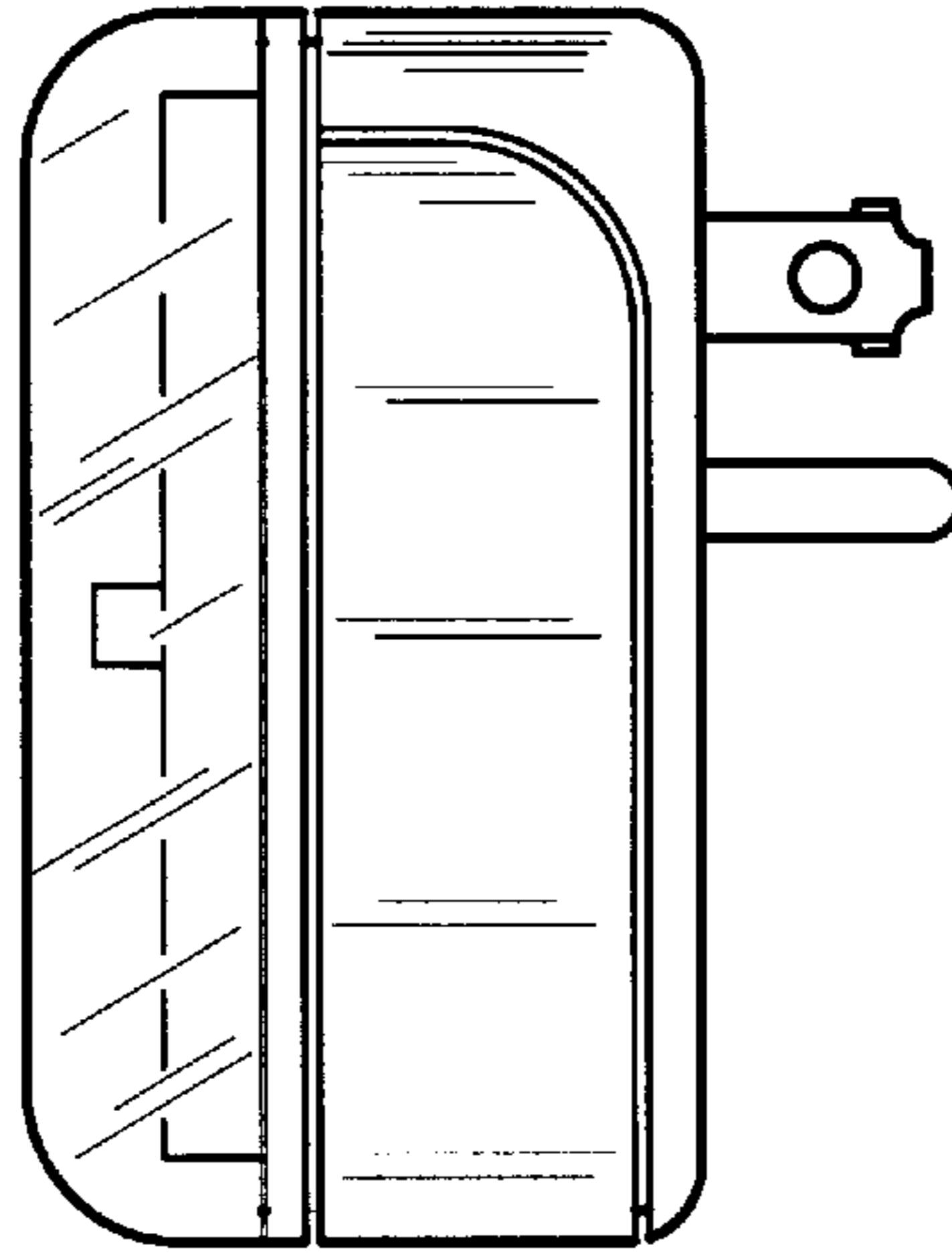


FIG. 4

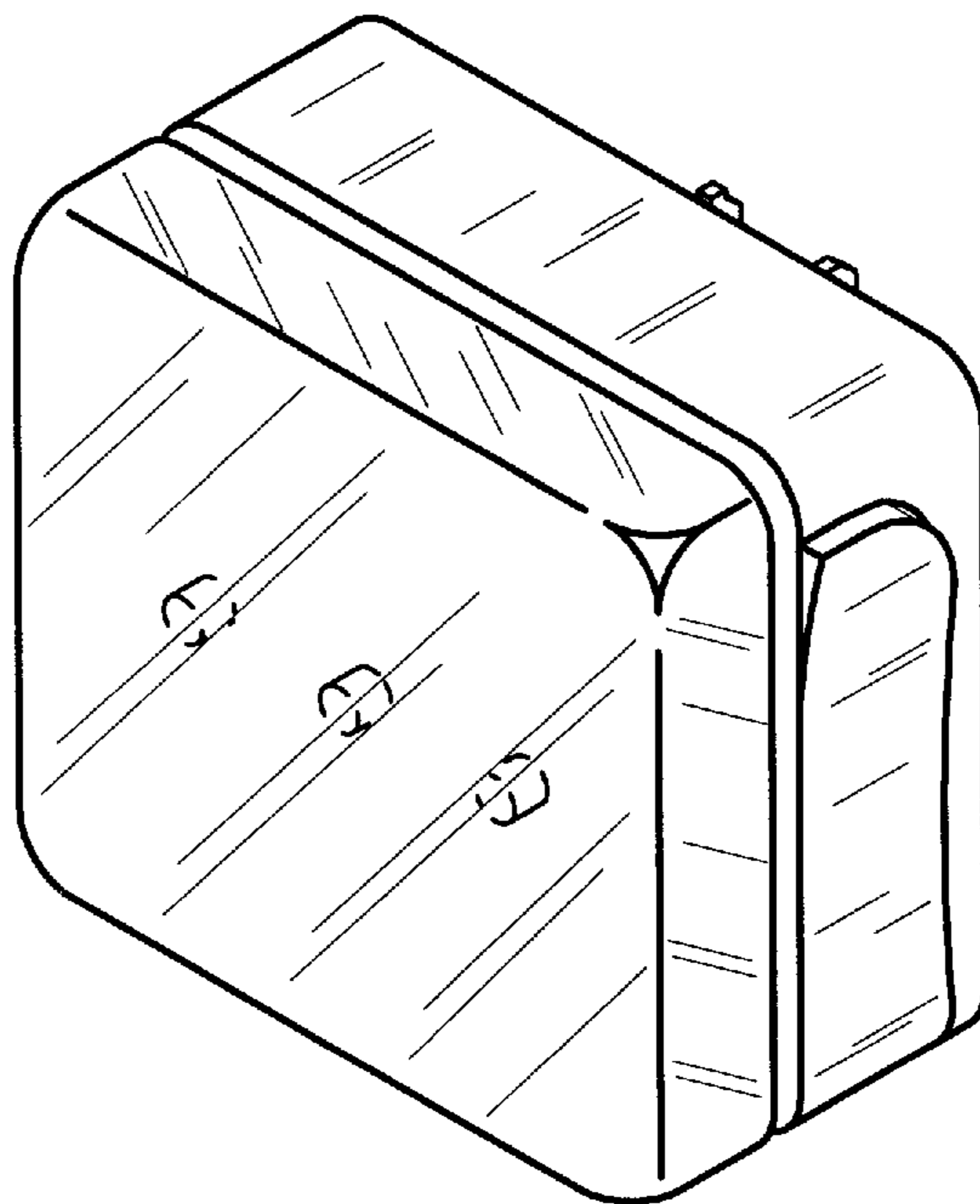


FIG. 5