



US00D407064S

United States Patent [19] Lebherz

[11] **Patent Number: Des. 407,064**

[45] **Date of Patent: **Mar. 23, 1999**

[54] **CHARGING BASE**

[75] Inventor: **Robert Lebherz,**
Villingen-Schwenningen, Germany

[73] Assignee: **Moser Elektrogeraete GmbH,**
Unterkirnach, Germany

[**] Term: **14 Years**

[21] Appl. No.: **83,871**

[22] Filed: **Feb. 19, 1998**

[30] **Foreign Application Priority Data**

Aug. 25, 1997 [XH] Hague Agreement DM/041177

[51] **LOC (6) Cl. 13-02**

[52] **U.S. Cl. D13/108**

[58] **Field of Search D13/107, 108,**
D13/118; 320/110, 112-115

[56] **References Cited**

U.S. PATENT DOCUMENTS

D. 249,486 9/1978 Sage D13/107

D. 321,337 11/1991 Sakamoto et al. D13/108
5,280,229 1/1994 Faude et al. 320/110
5,473,242 12/1995 McKenna 320/113

Primary Examiner—Joel Sincavage
Attorney, Agent, or Firm—Foley, Hoag & Eliot LLP

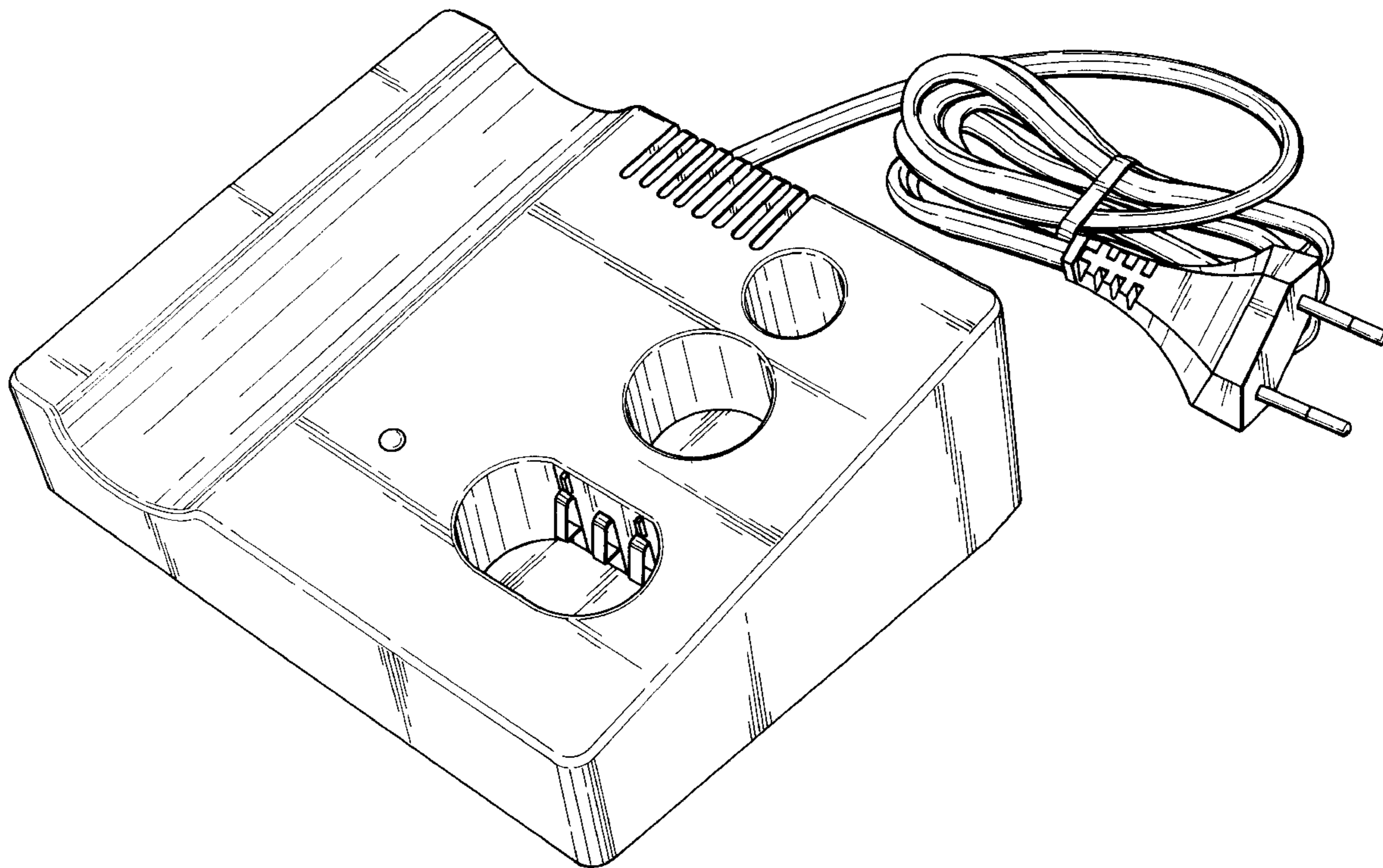
[57] **CLAIM**

The ornamental design for a charging base, as shown and described.

DESCRIPTION

FIG. 1 is a perspective view of the charging base showing my new design;
FIG. 2 is a top plan view of the charger base showing my new design with most of the power cord and the plug omitted for convenience of illustration;
FIG. 3 is a plan view of a first end thereof;
FIG. 4 is a bottom plan view thereof;
FIG. 5 is a plan view of a second end thereof;
FIG. 6 is a plan view of a first side thereof; and,
FIG. 7 is a plan view of a second side thereof.

1 Claim, 4 Drawing Sheets



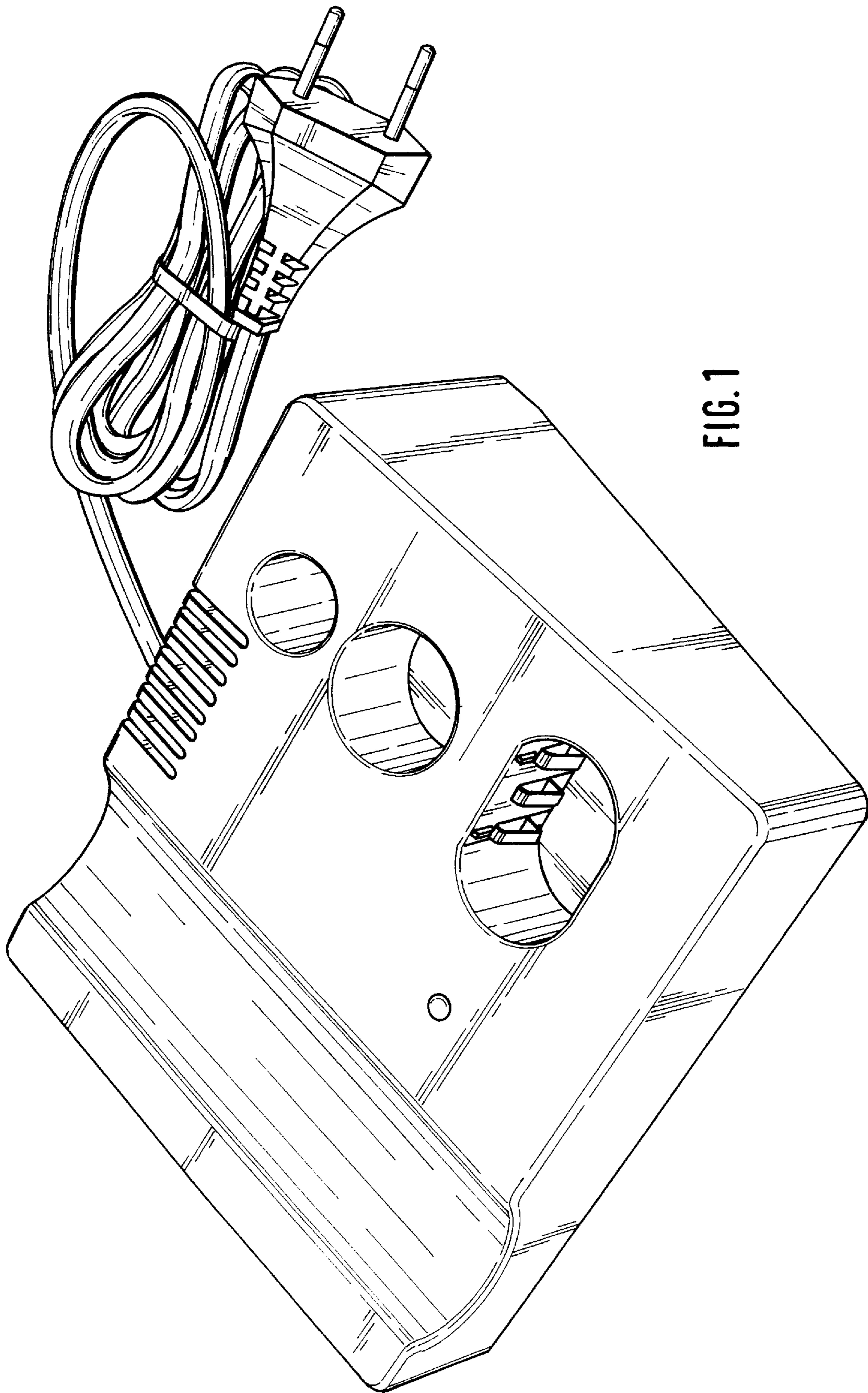


FIG. 1

FIG. 2

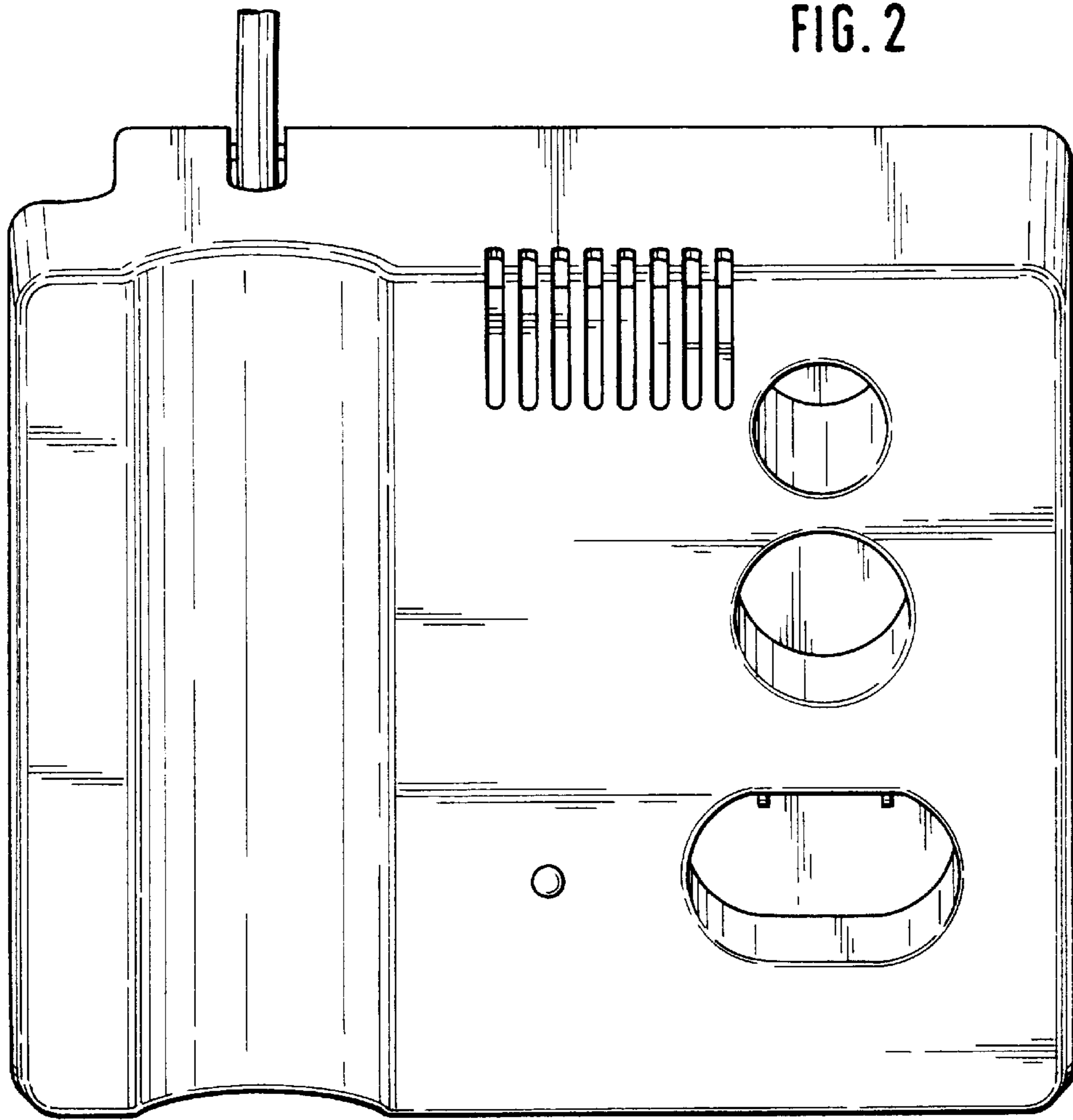
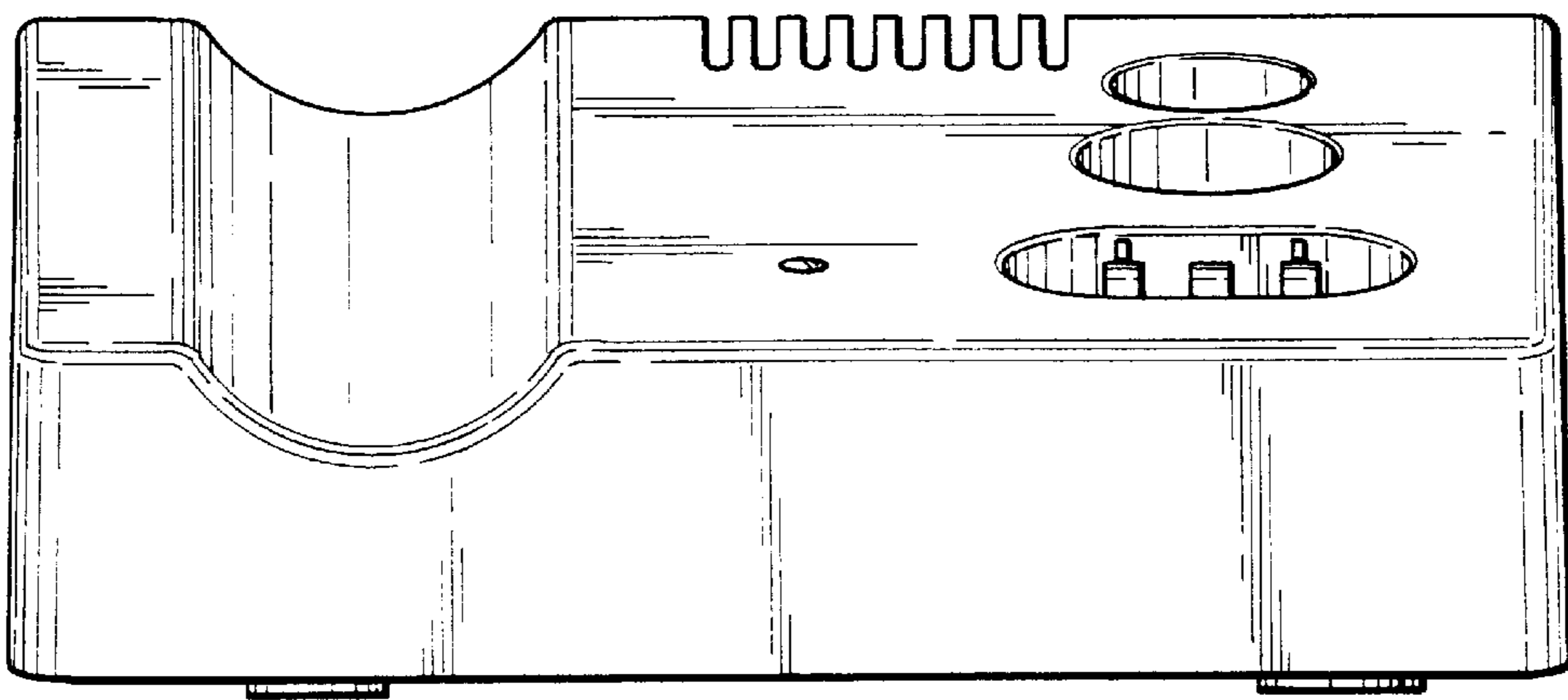


FIG. 3



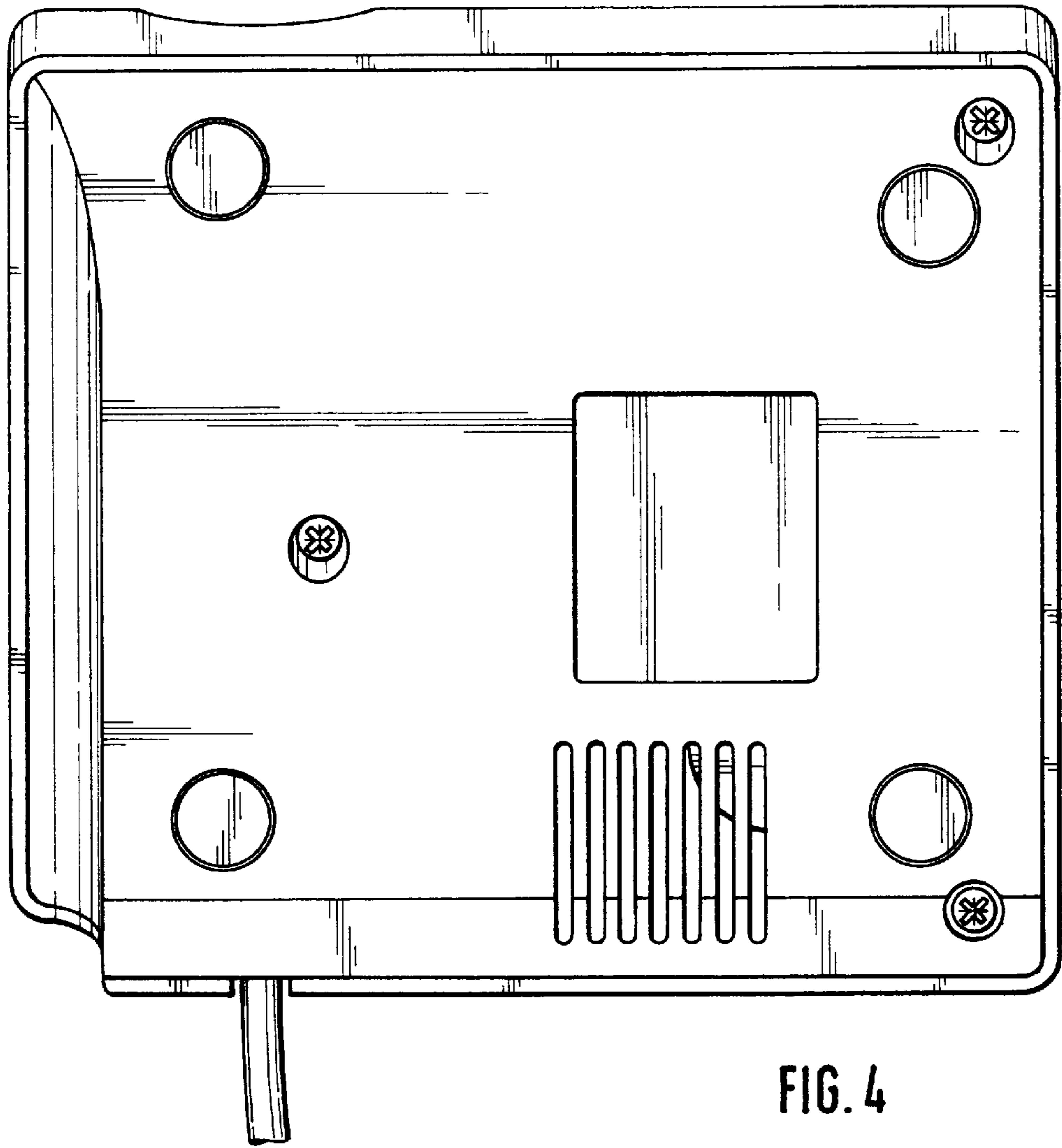
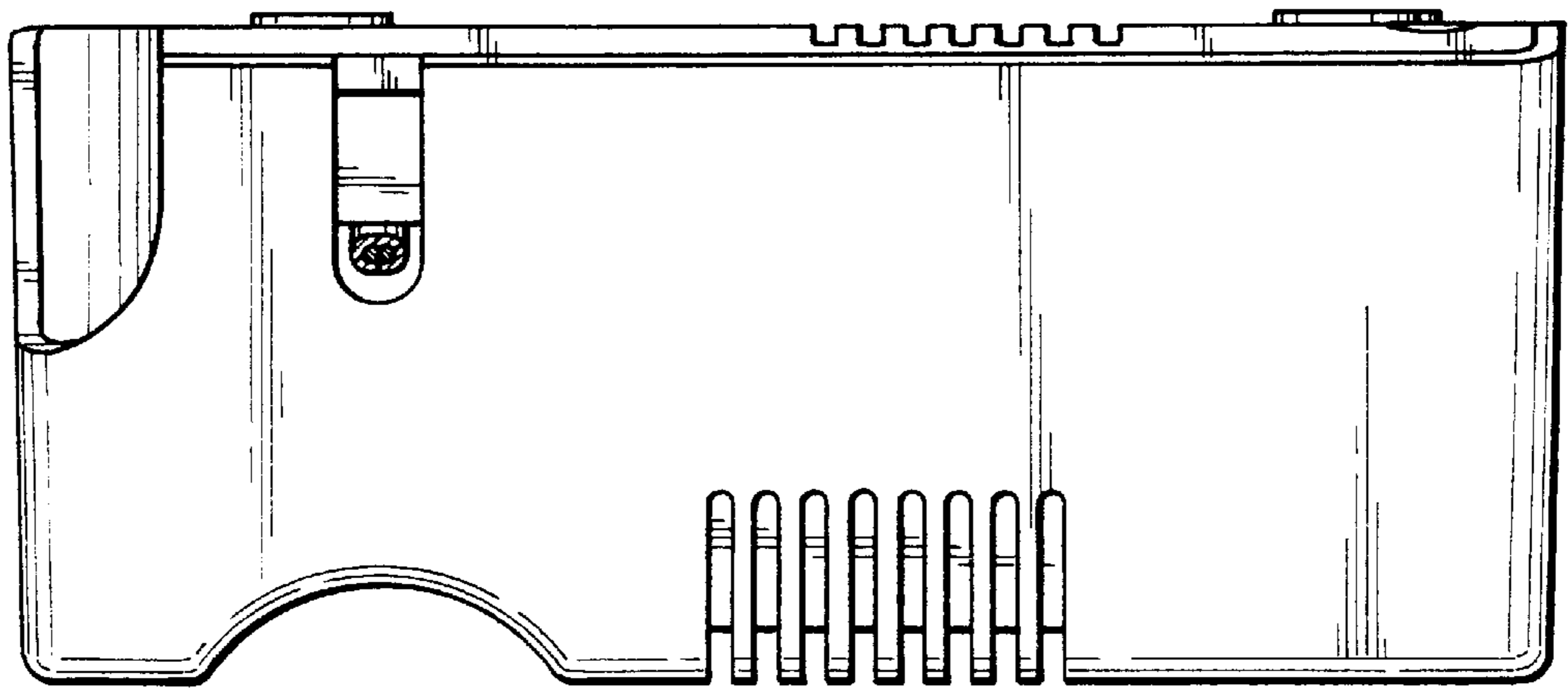


FIG. 4

FIG. 5



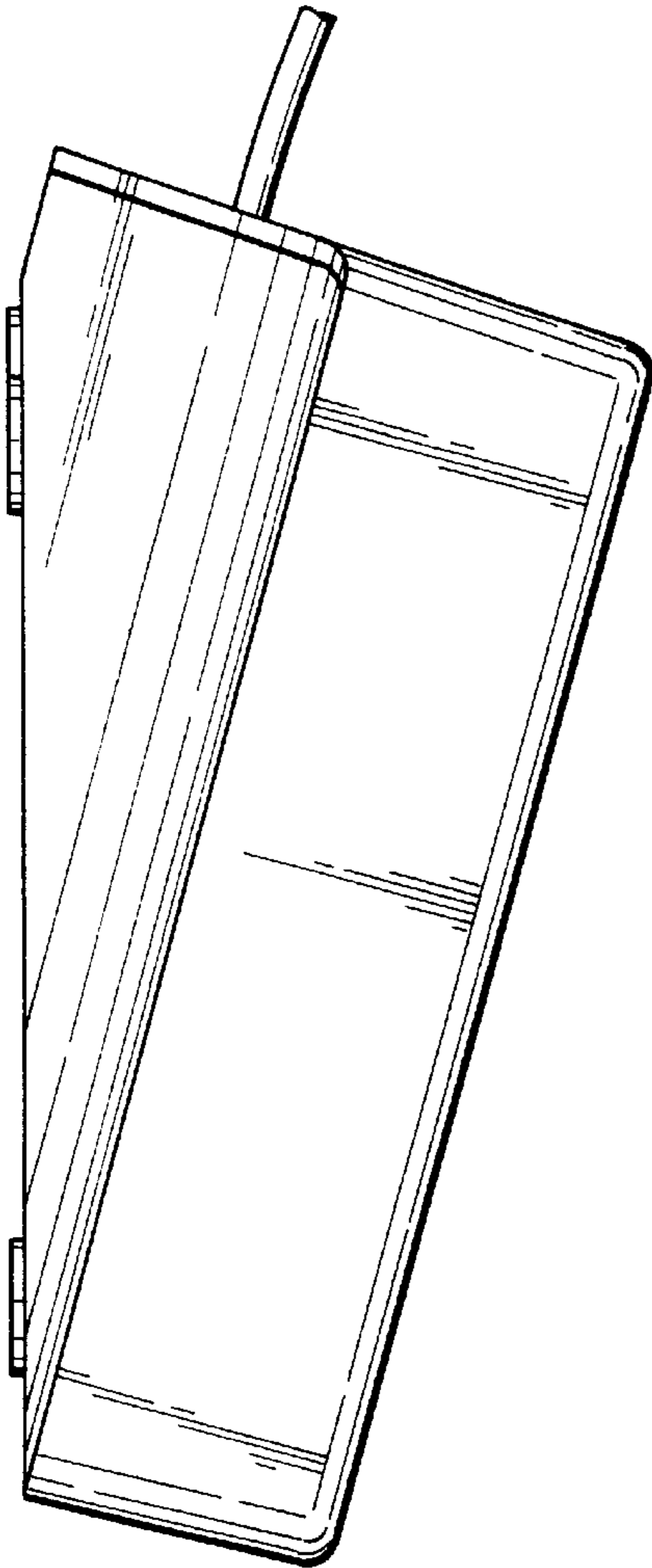


FIG. 6

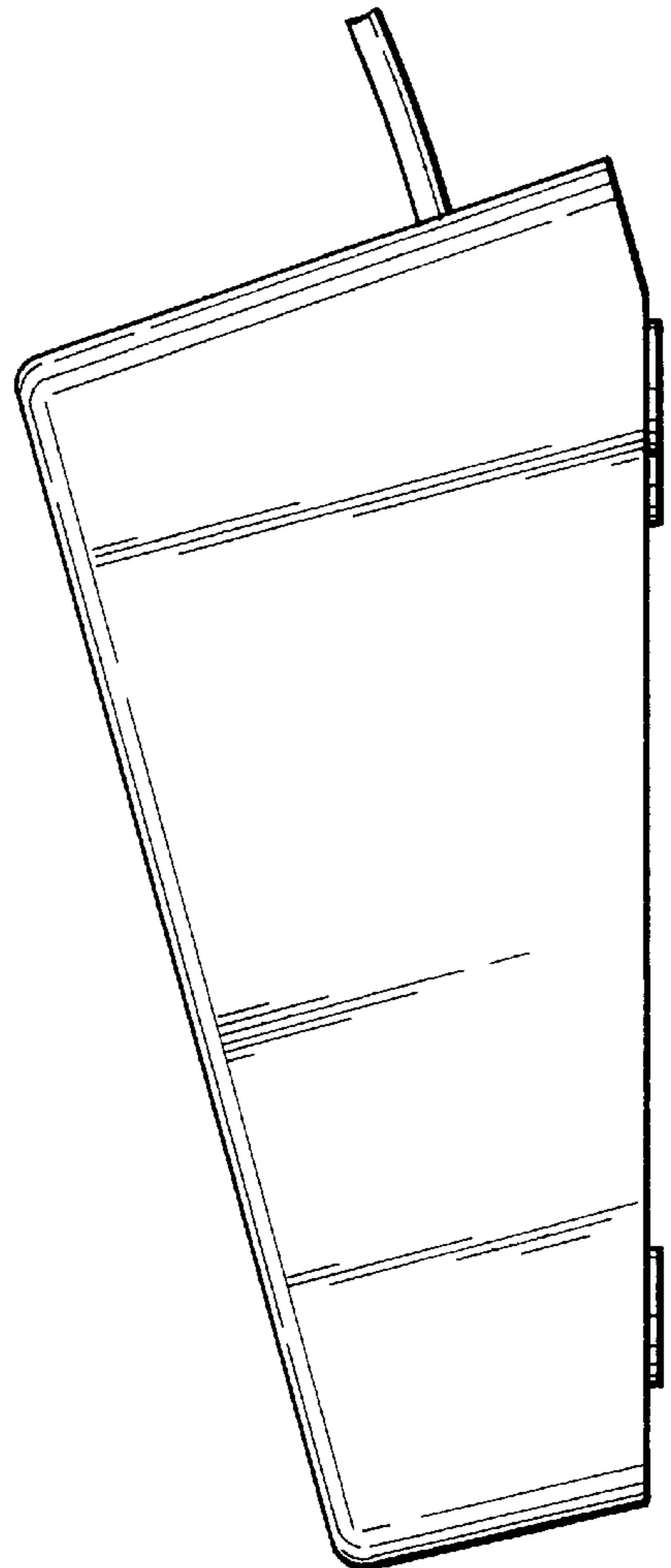


FIG. 7