



US00D407061S

United States Patent [19]
Liaklev

[11] **Patent Number: Des. 407,061**

[45] **Date of Patent: **Mar. 23, 1999**

[54] **CARRIAGE FOR STORING FISH HOOKS**

[76] Inventor: **Geir Jørn Liaklev**, Chr. Michelsensgt,
17 N-2800 Gjøvkv, Norway

[**] Term: **14 Years**

[21] Appl. No.: **64,170**

[22] Filed: **Dec. 23, 1996**

[30] **Foreign Application Priority Data**

Jun. 24, 1996 [NO] Norway NO960451

[51] **LOC (6) Cl.** **12-06**

[52] **U.S. Cl.** **D12/317**

[58] **Field of Search** D22/134; D3/260;
D12/318, 317; 114/253, 254, 255; D34/26,
24

Primary Examiner—Doris V. Coles
Attorney, Agent, or Firm—Jacobson, Price, Holman &
Stern, PLLC

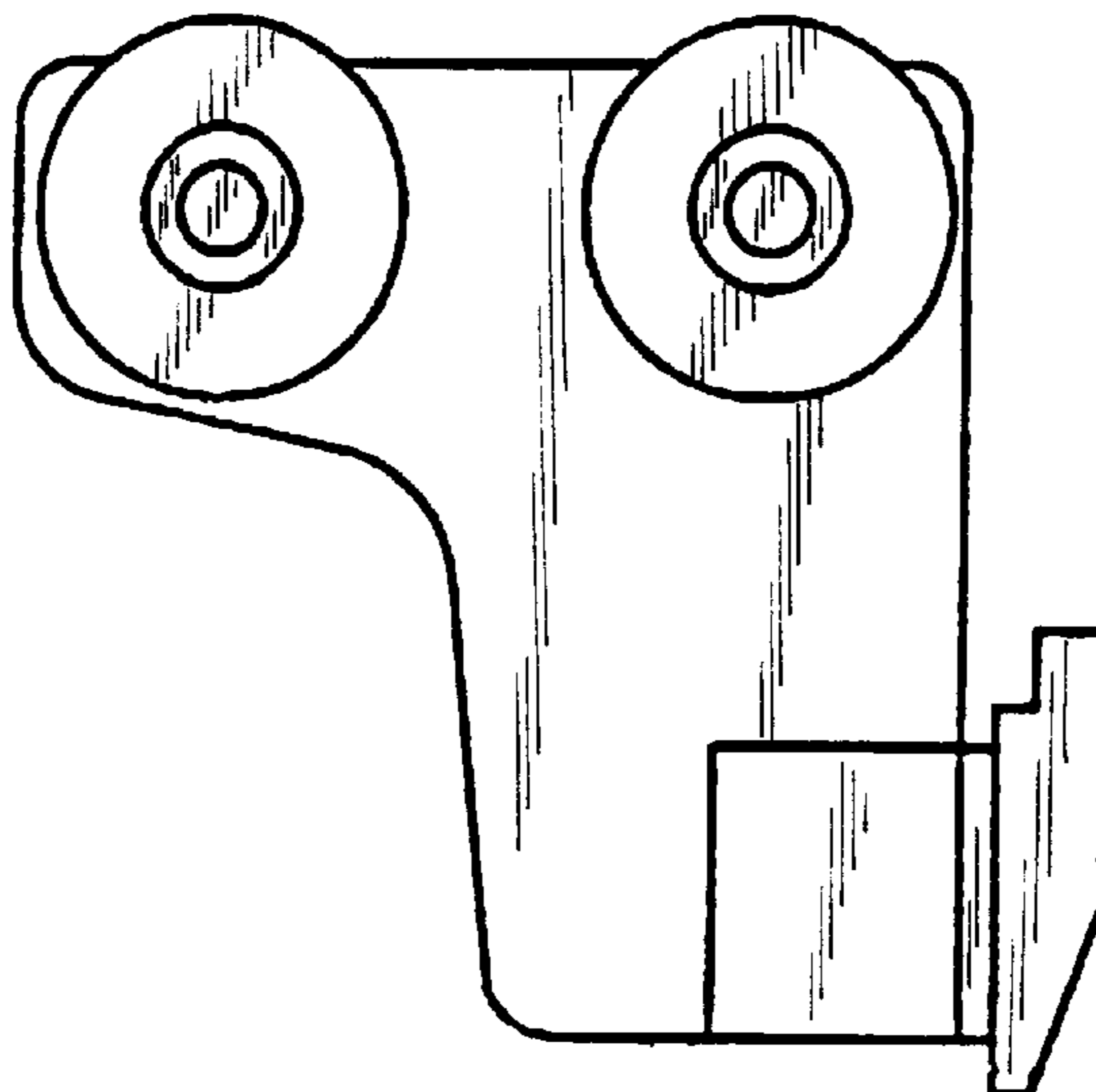
[57] **CLAIM**

The ornamental design for a carriage for storing fish hooks,
as shown and described.

DESCRIPTION

FIG. 1 is a top plan view showing my new design for a
storing carriage for storing fish hooks,;
FIG. 2 is a bottom plan view thereof;
FIG. 3 is a right side view thereof;
FIG. 4 is a left side view thereof;
FIG. 5 is a front view thereof; and,
FIG. 6 is a rear view thereof.

1 Claim, 6 Drawing Sheets



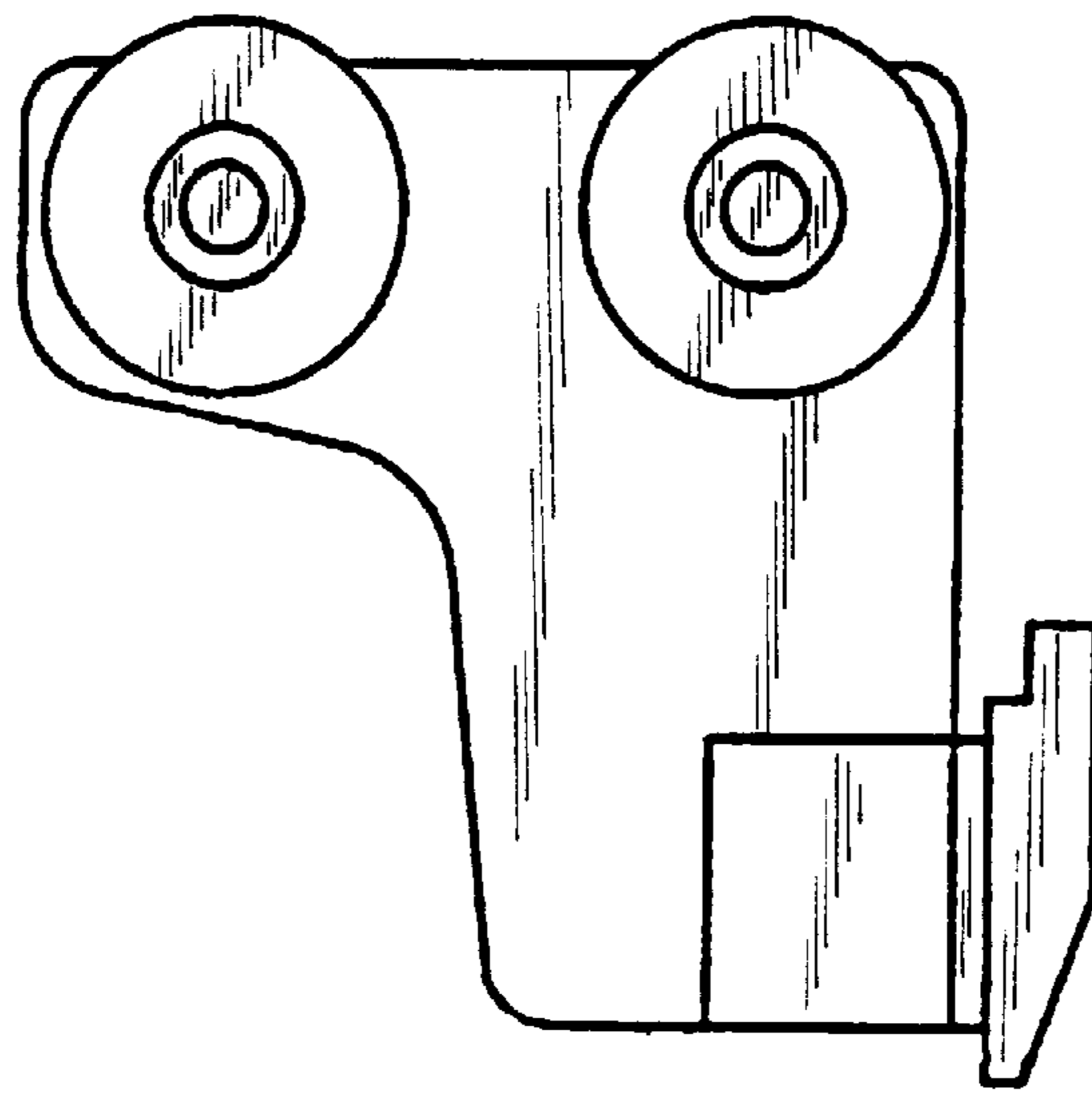


FIG. 1

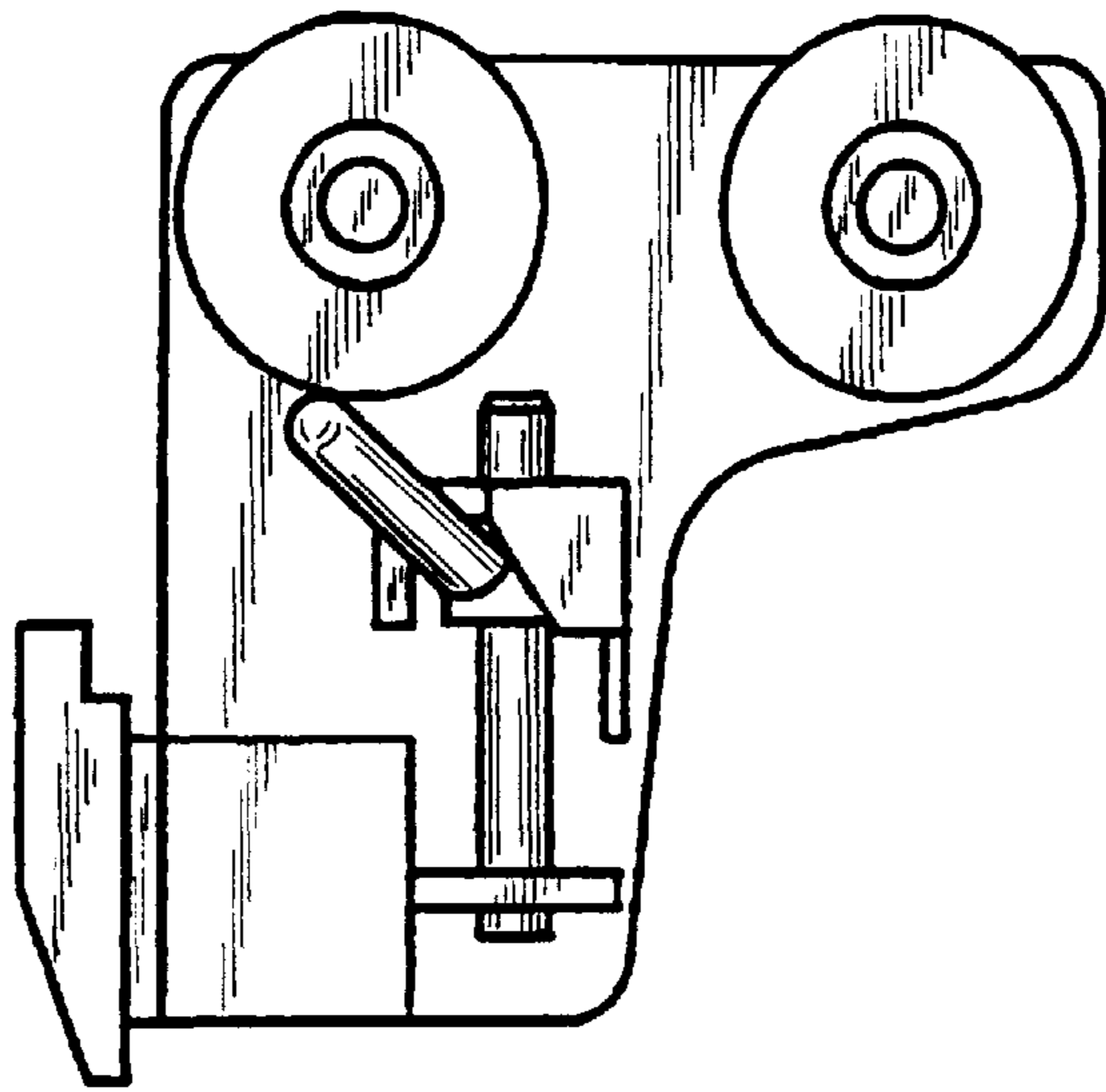


FIG. 2

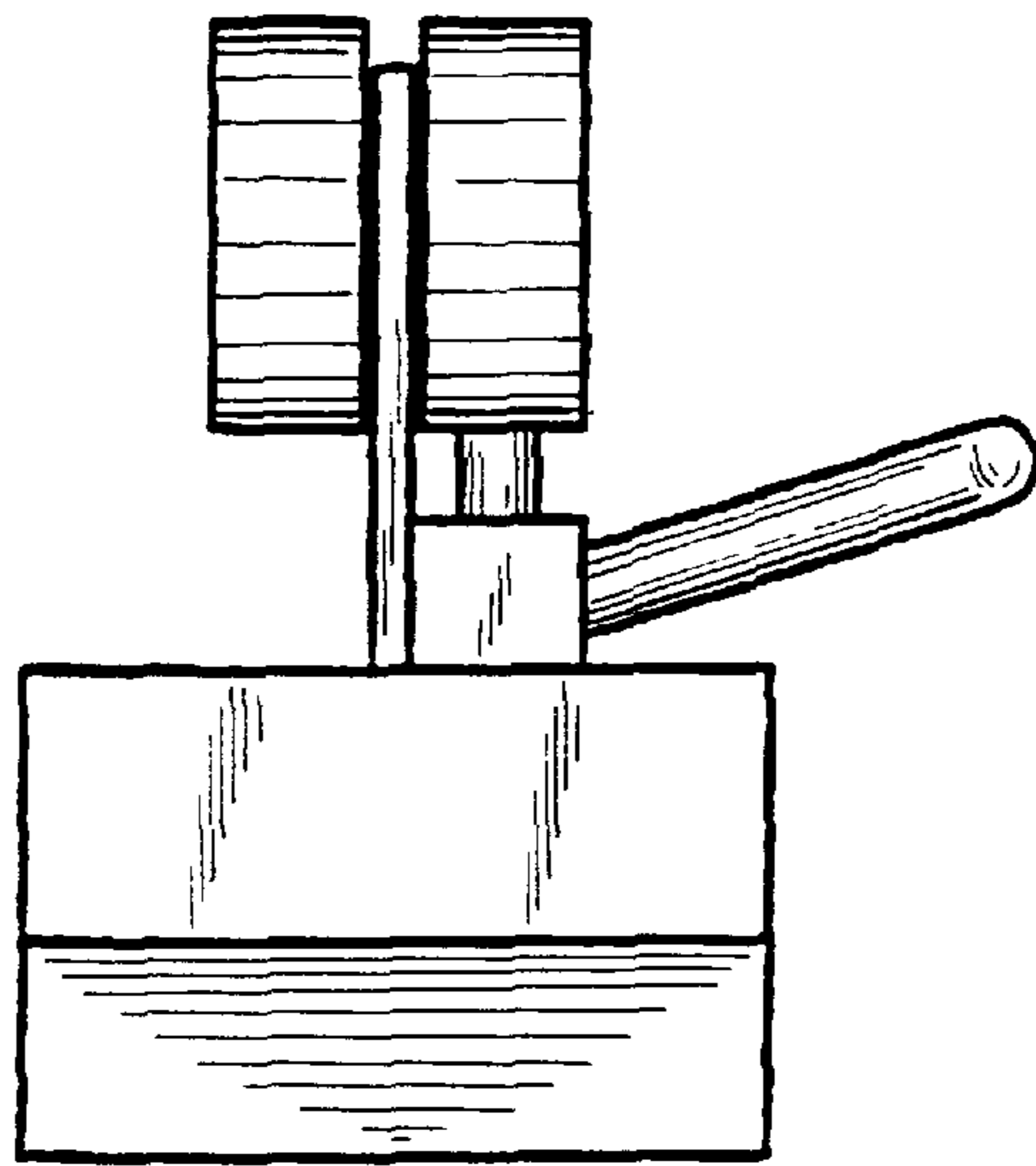


FIG. 3

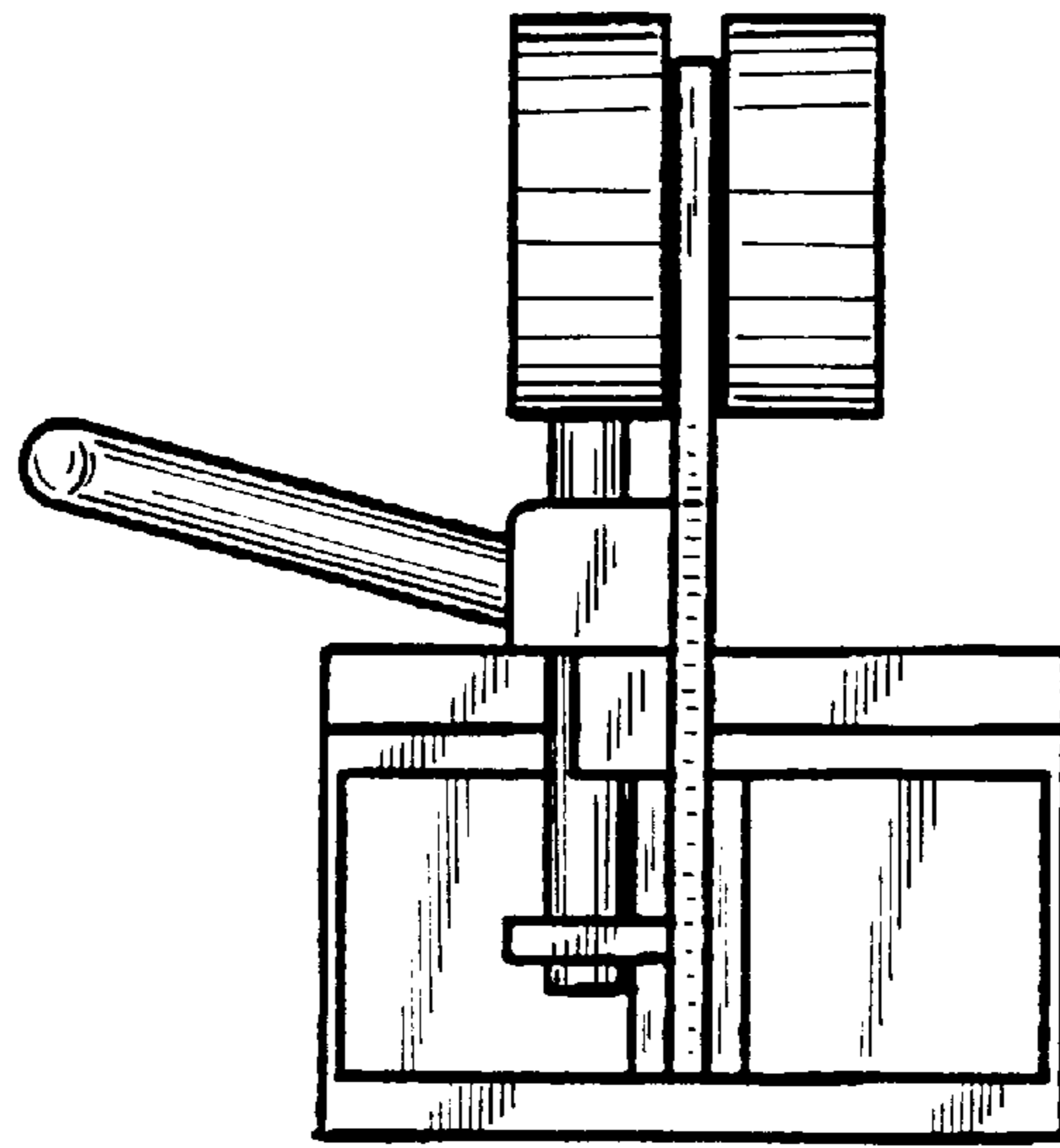


FIG. 4

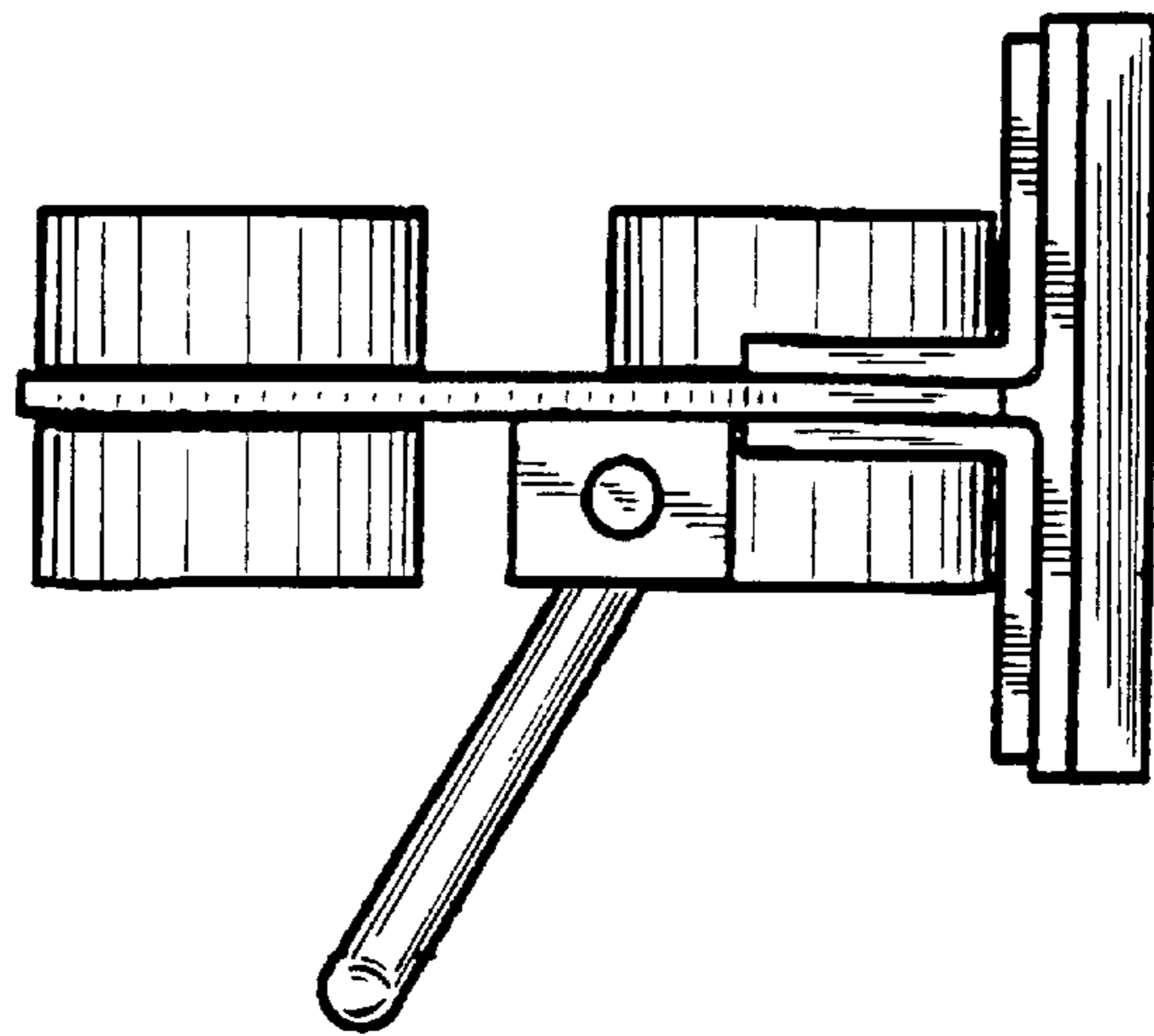


FIG. 5

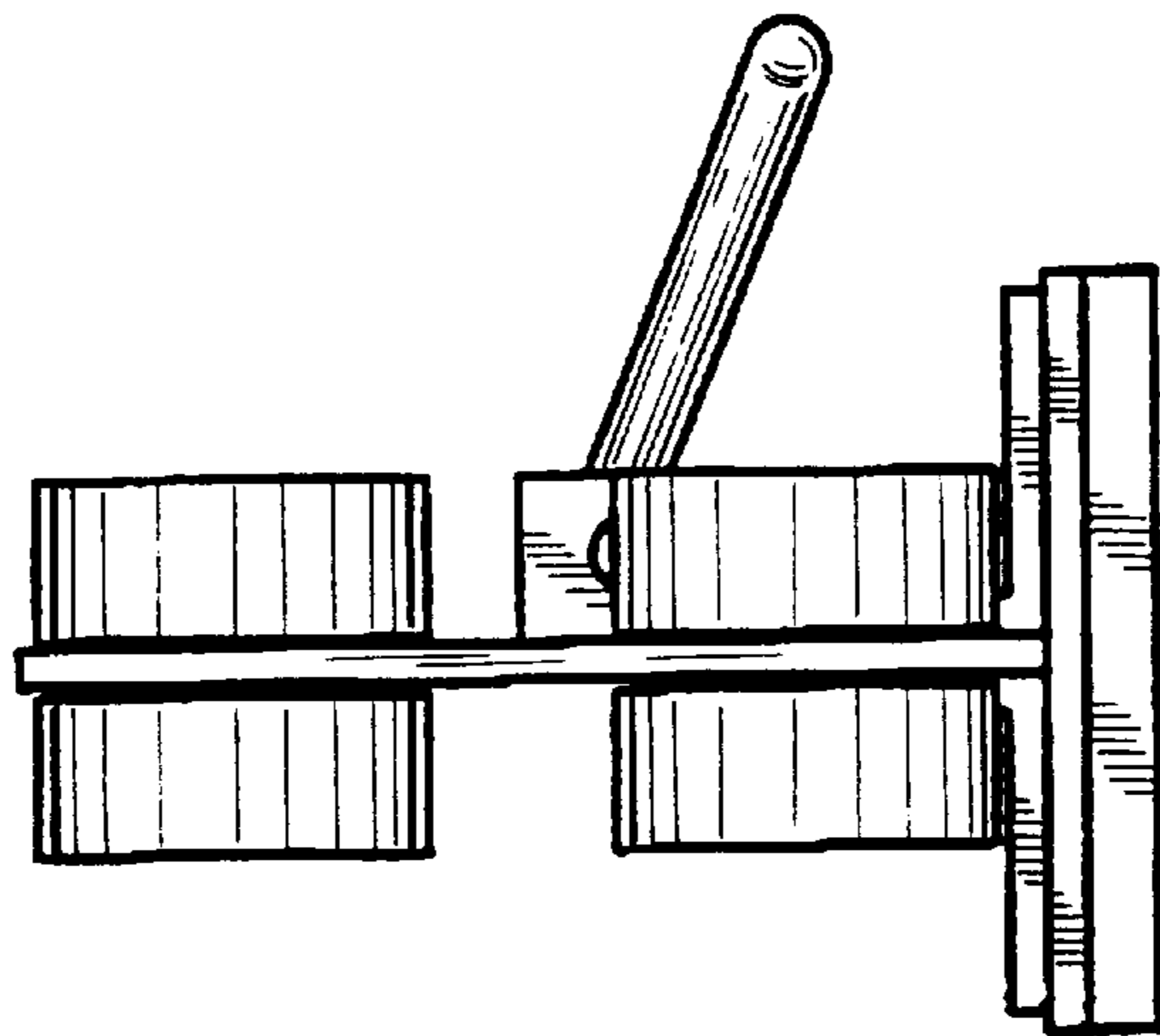


FIG. 6