



US00D407058S

United States Patent [19]
Moldenhauer

[11] **Patent Number: Des. 407,058**

[45] **Date of Patent: **Mar. 23, 1999**

[54] **RAFT ANCHOR**

Primary Examiner—Kay H. Chin

[76] Inventor: **Eric Moldenhauer**, 8109 Patterson Ave., #4, Dyer, Ind. 46311

[57] **CLAIM**

[**] Term: **14 Years**

The ornamental design for a raft anchor, as shown and described.

[21] Appl. No.: **79,484**

DESCRIPTION

[22] Filed: **Nov. 17, 1997**

FIG. 1 is a front elevational view of the raft anchor showing my new design;

[51] **LOC (6) Cl.** **12-06**

FIG. 2 is a rear elevational view thereof;

[52] **U.S. Cl.** **D12/215; D21/804**

FIG. 3 is a right side view thereof;

[58] **Field of Search** D12/215; 441/35, 441/40, 39, 44, 125, 126, 127, 129, 130; 114/294, 300, 311, 210; D21/236, 237

FIG. 4 is a left side view thereof;

FIG. 5 is a top plan view thereof;

FIG. 6 is a bottom plan view thereof; and,

FIG. 7 is a top perspective view thereof.

[56] **References Cited**

A portion of the strap in FIGS. 2, 3, 4 and 7 is shown broken away to indicate indeterminate length.

U.S. PATENT DOCUMENTS

D. 360,169 7/1995 Gazalski D12/215
4,822,309 4/1989 Vandenberg 441/35

1 Claim, 4 Drawing Sheets

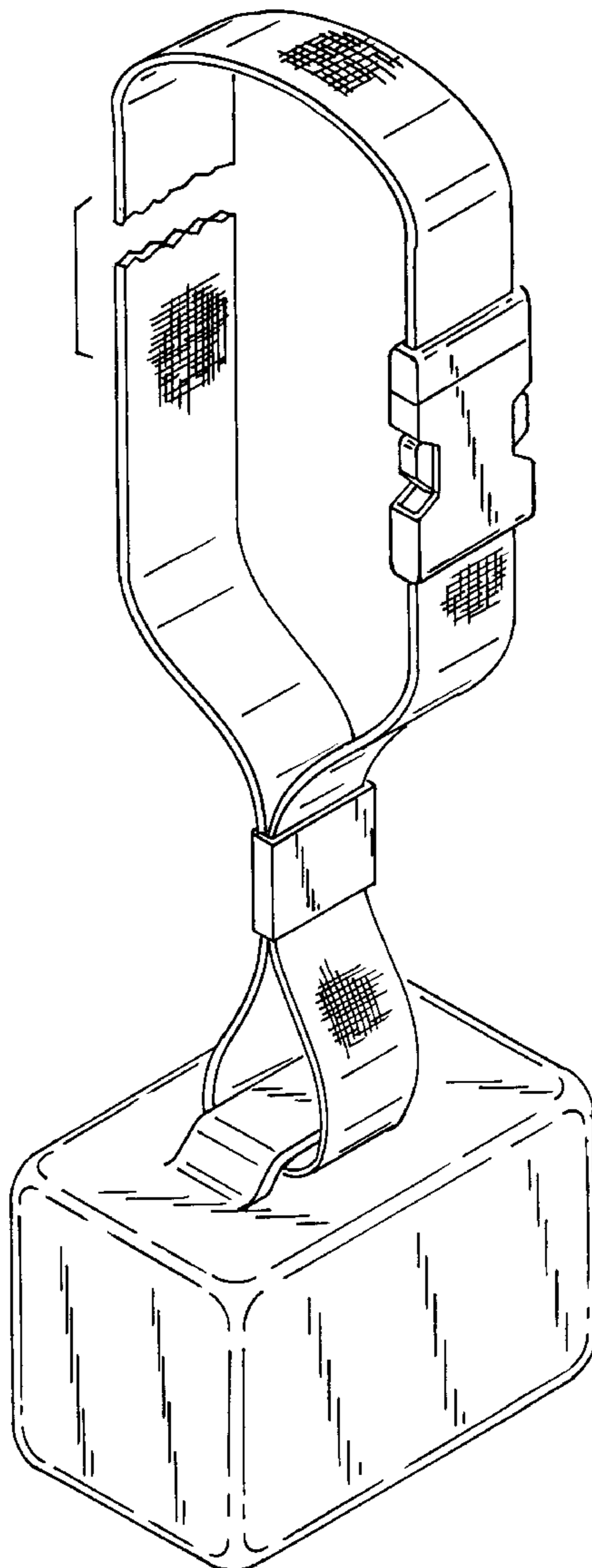


FIG. 1

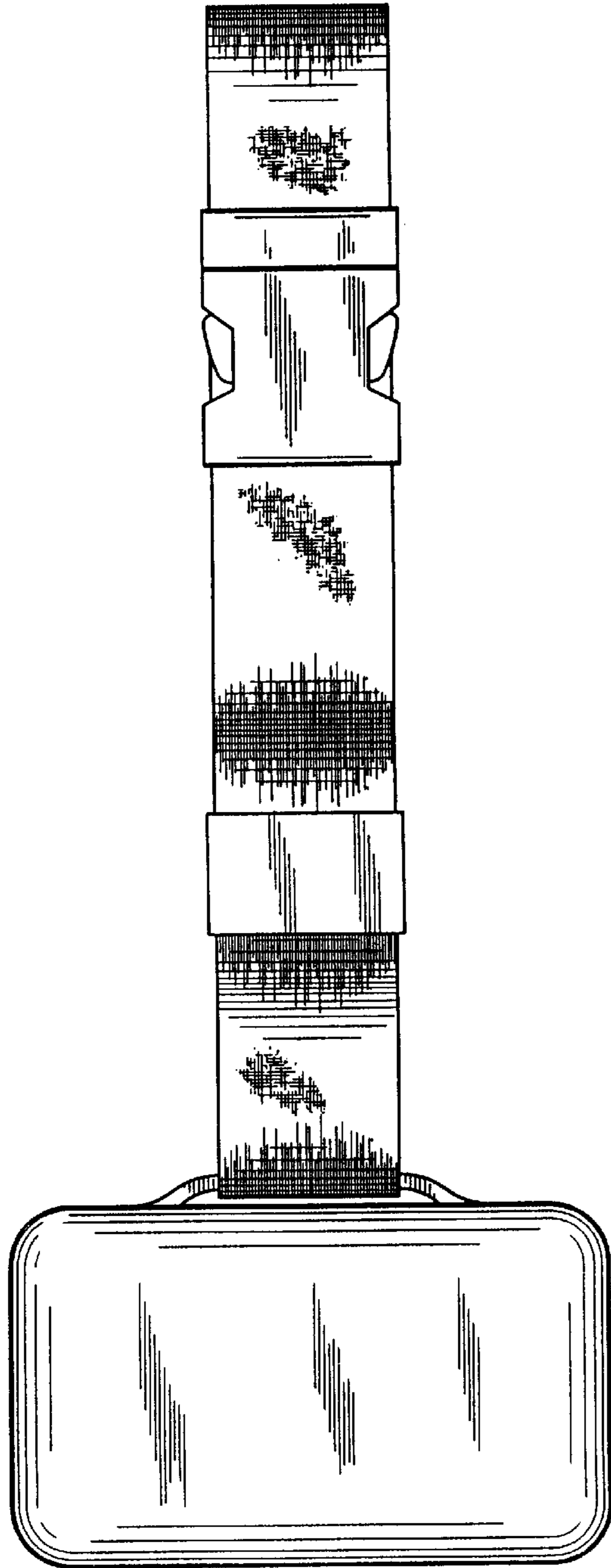


FIG. 2

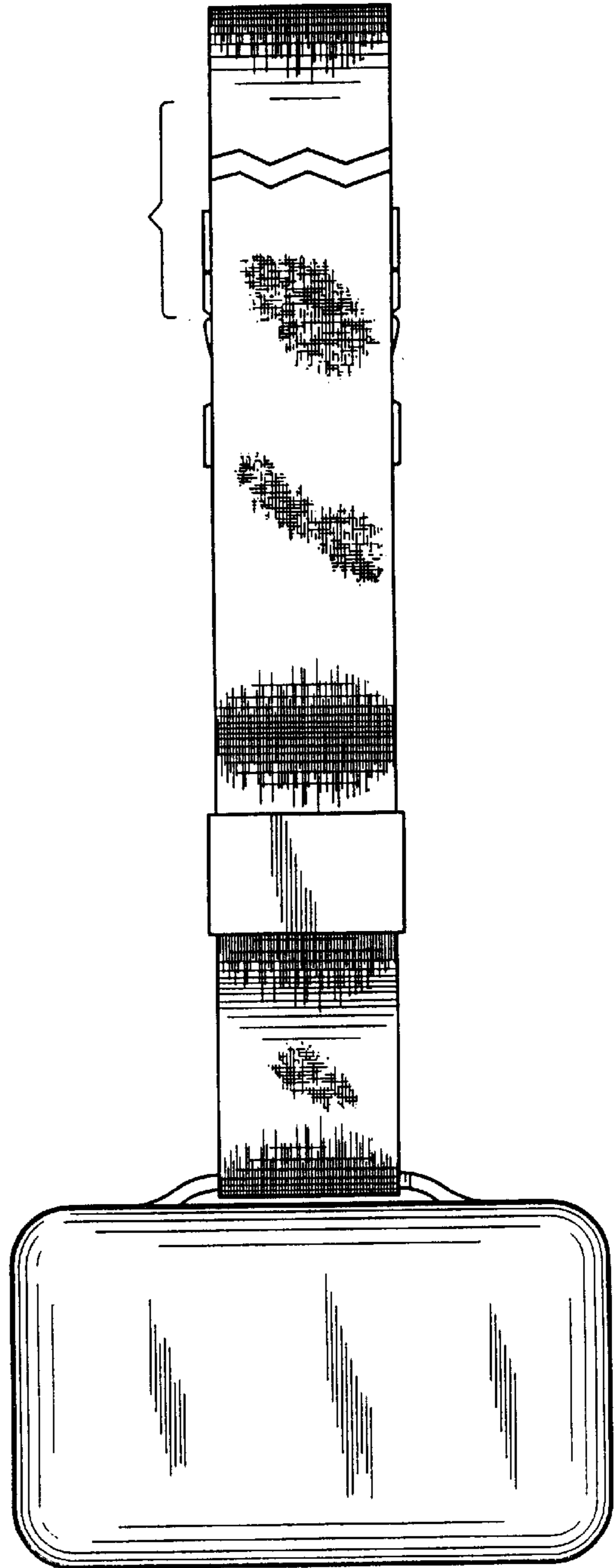


FIG. 3

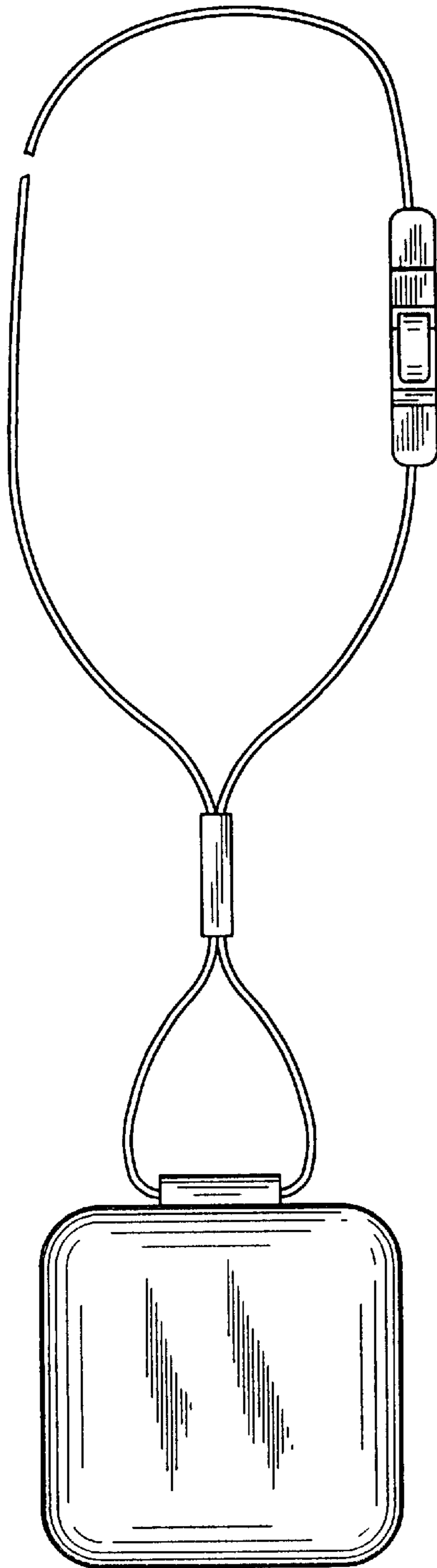


FIG. 4

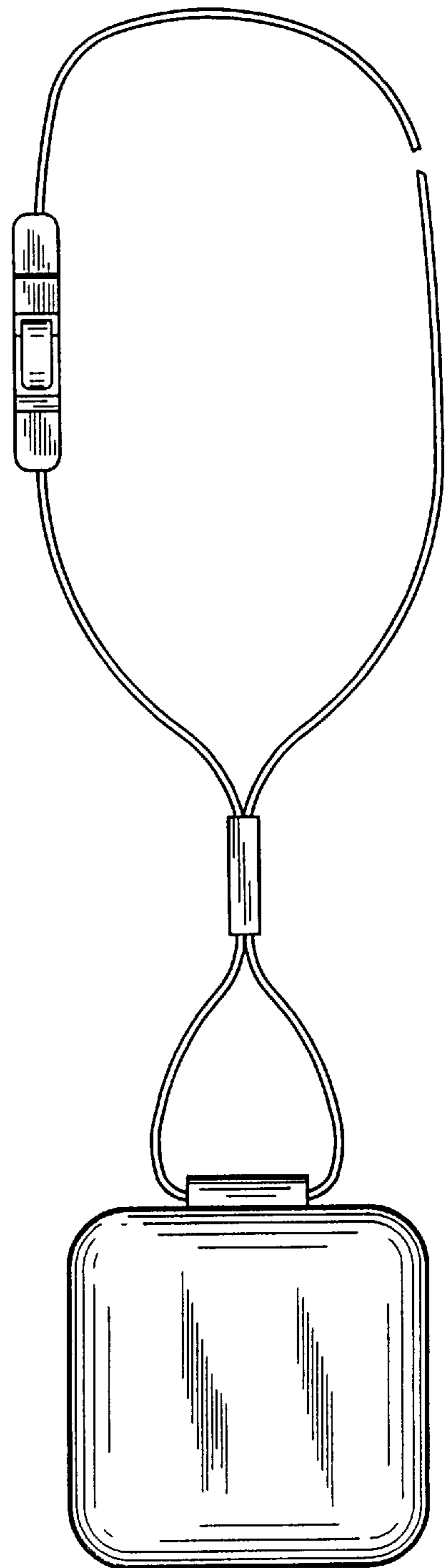


FIG. 5

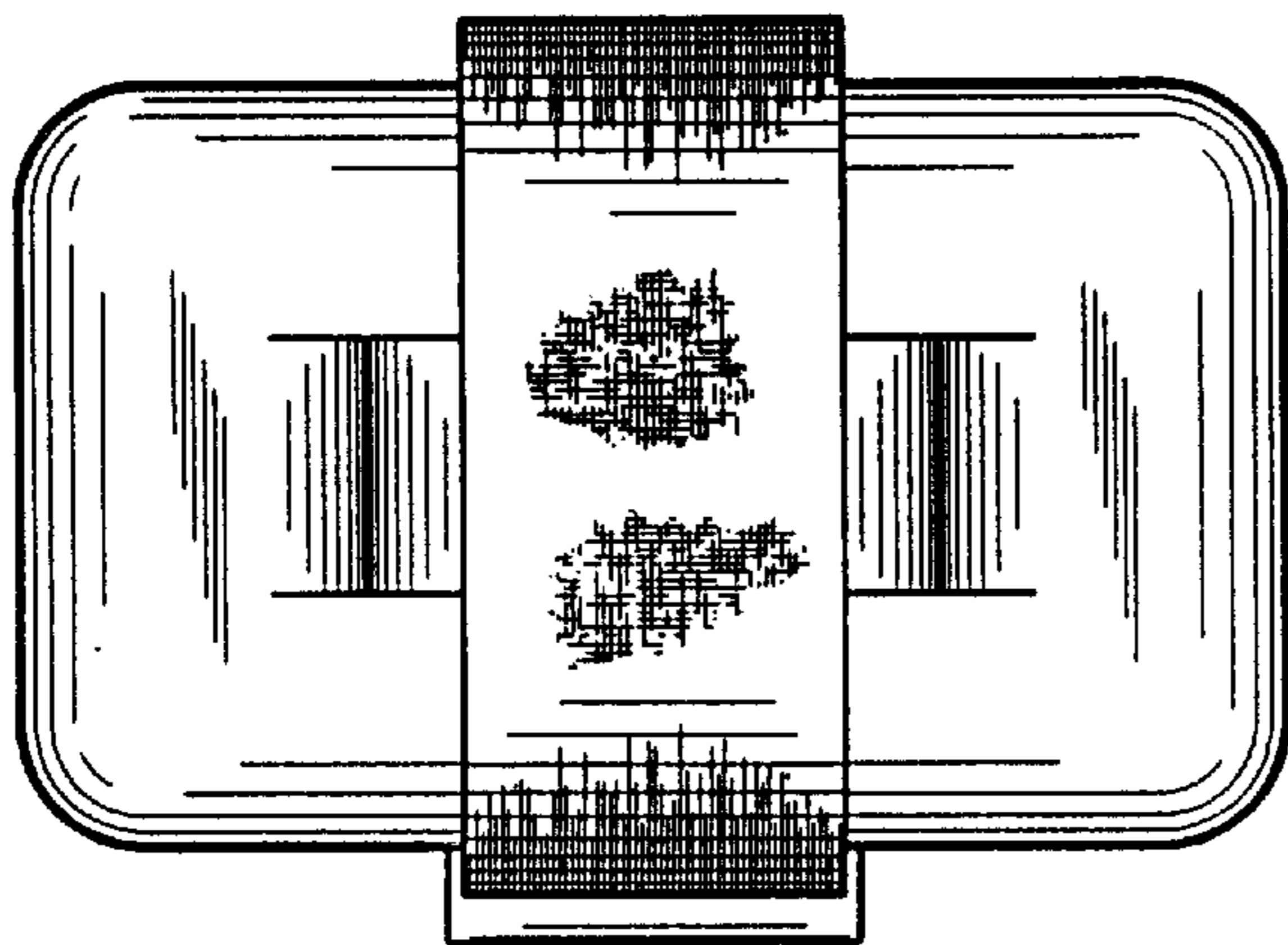
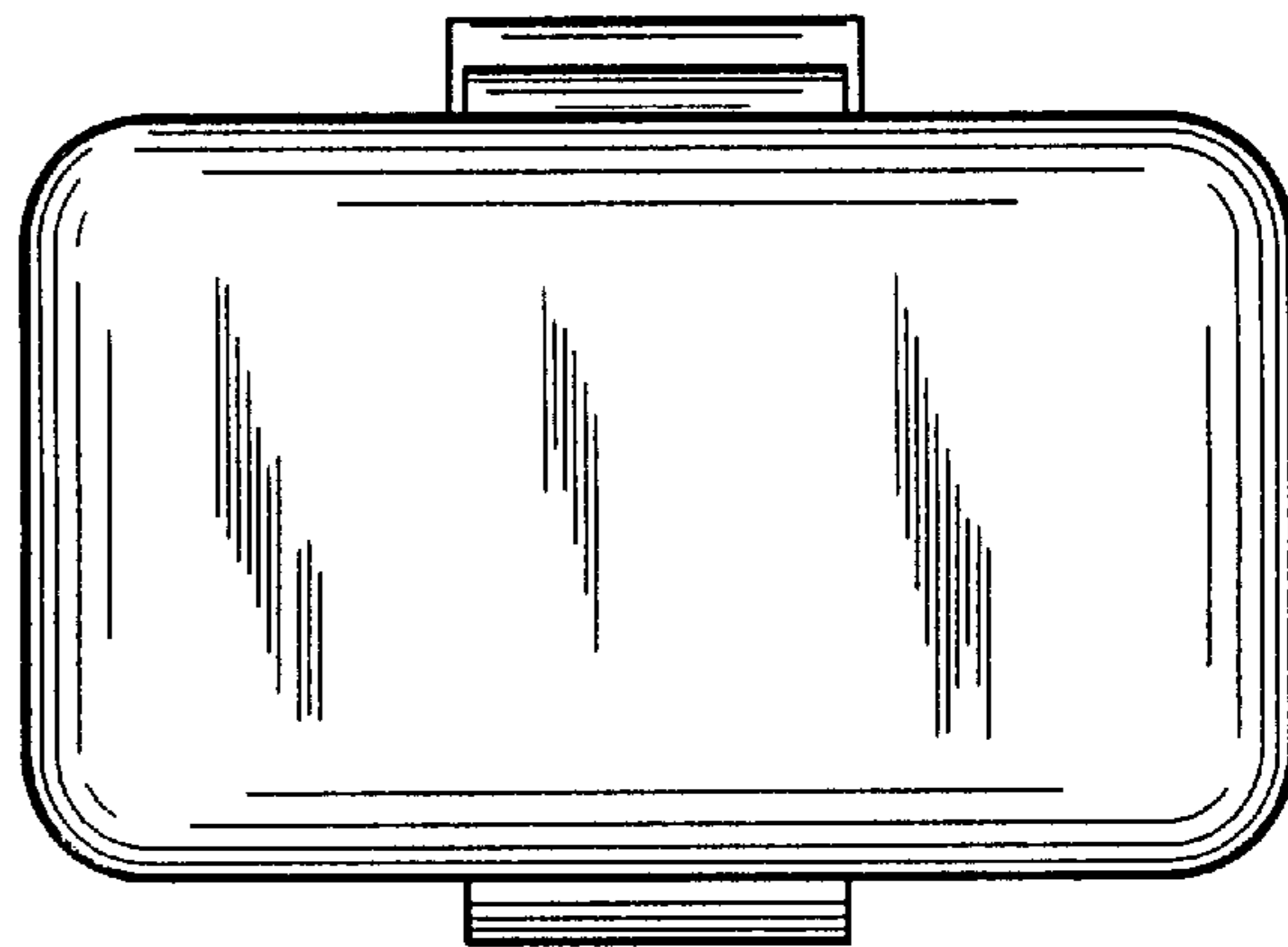


FIG. 6



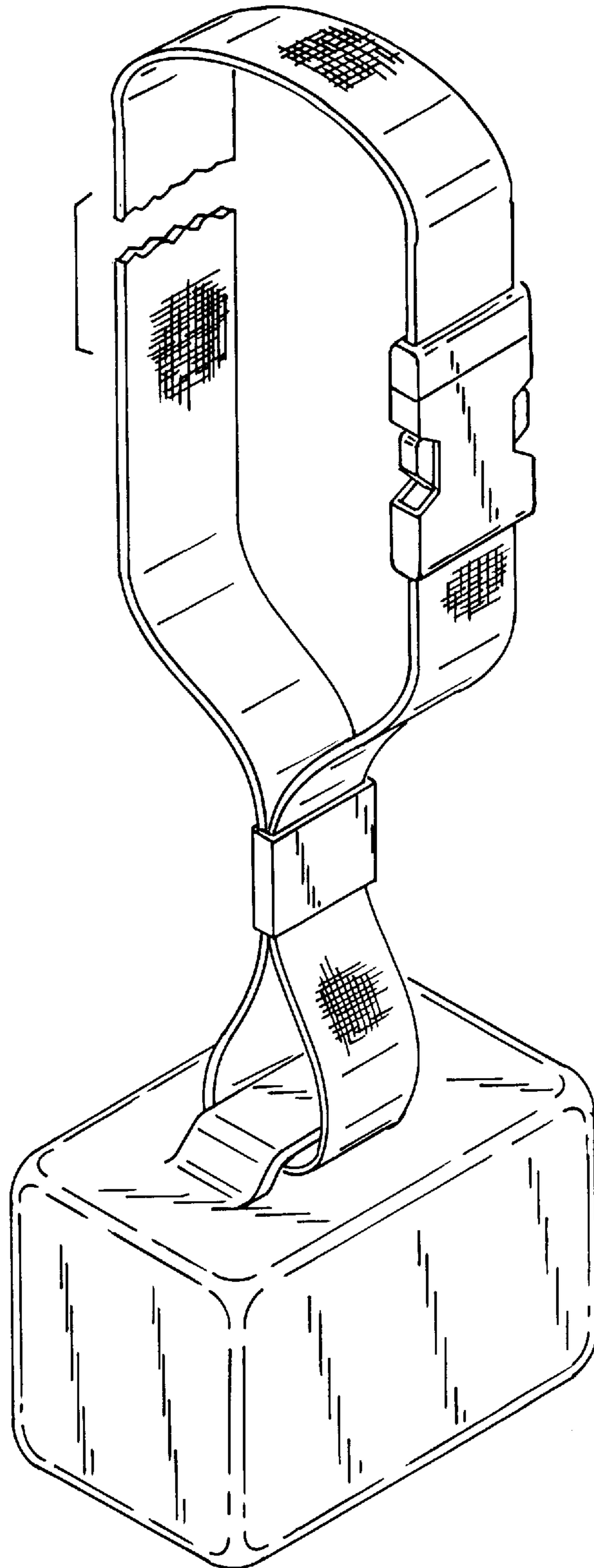


FIG. 7