



US00D407057S

United States Patent [19] Goplen

[11] **Patent Number: Des. 407,057**

[45] **Date of Patent: **Mar. 23, 1999**

[54] **FRONT FACE OF A VEHICLE WHEEL**

[75] Inventor: **Erik Goplen**, Munich, Germany

[73] Assignee: **Bayerische Motoren Werke Aktiengesellschaft**, Munich, Germany

[**] Term: **14 Years**

[21] Appl. No.: **82,001**

[22] Filed: **Jan. 13, 1998**

Related U.S. Application Data

[63] Continuation of Ser. No. 74,546, Aug. 5, 1997, abandoned.

Foreign Application Priority Data

Feb. 5, 1997 [DE] Germany M 97 01 285.8

[51] **LOC (6) Cl.** **12-16**

[52] **U.S. Cl.** **D12/211**

[58] **Field of Search** D12/204-213;
301/64.1, 65, 37.1

References Cited

U.S. PATENT DOCUMENTS

D. 204,256 4/1966 Rader D12/211

D. 215,652	10/1969	Griffith	D12/211
D. 284,182	6/1986	Hedlund	D12/211
D. 286,278	10/1986	Sandberg	D12/211
D. 302,264	7/1989	Soederberg	D12/209
D. 336,886	6/1993	Mikawa	D12/211
D. 361,547	8/1995	Weld	D12/211
D. 361,976	9/1995	Echazabal et al.	D12/211
D. 370,883	6/1996	Bhambra	D12/209
D. 377,471	1/1997	Stach	D12/209

Primary Examiner—James Gandy
Assistant Examiner—Stacia Sinuik
Attorney, Agent, or Firm—Evenson, McKeown, Edwards & Lenahan, P.L.L.C.

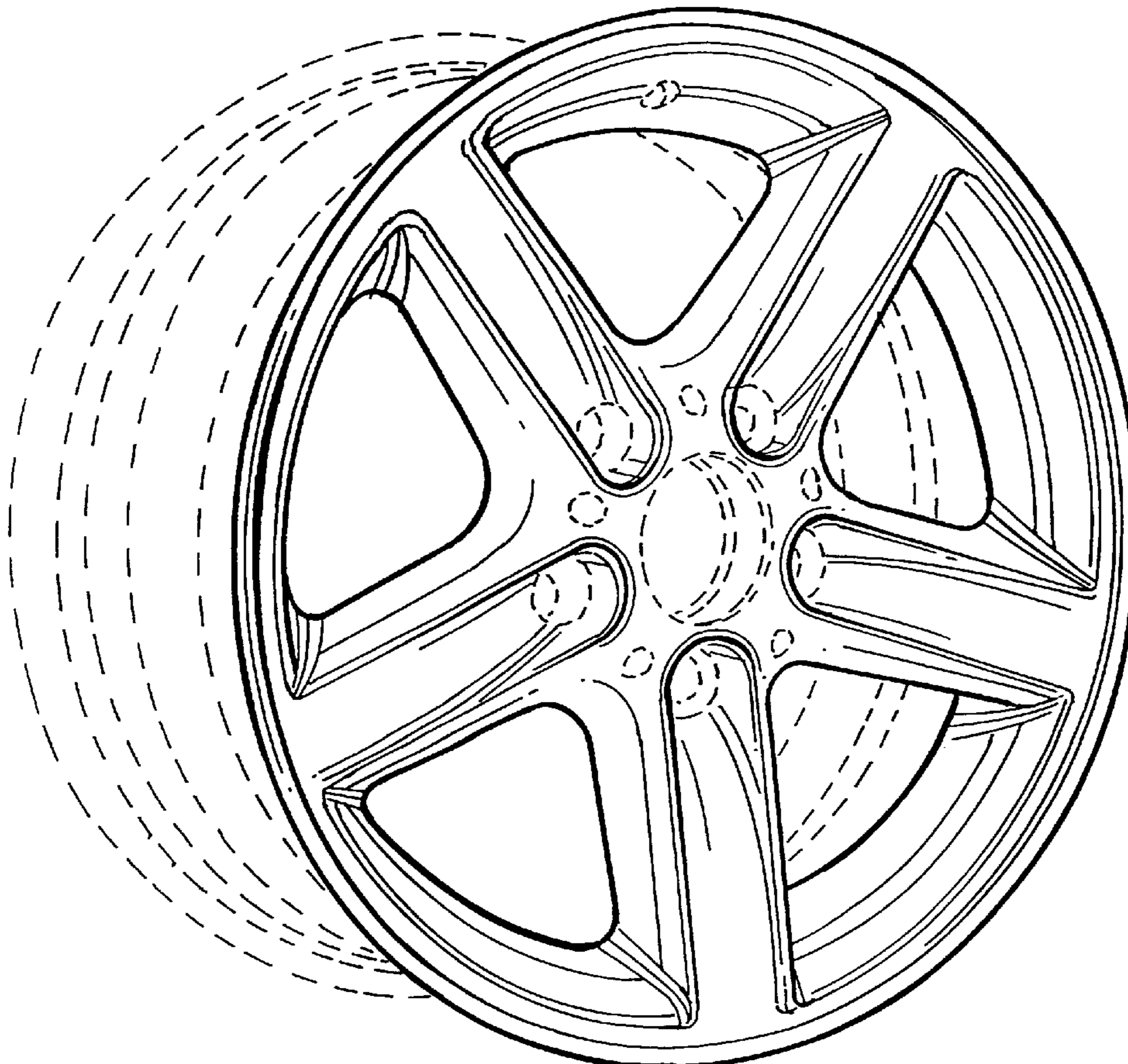
[57] CLAIM

The ornamental design for a front face of a vehicle wheel, as shown and described.

DESCRIPTION

FIG. 1 is a front view of a front face of a vehicle wheel according to my novel design; and, FIG. 2 is a perspective view of a front face of a vehicle wheel according to my novel design. The broken lines are for illustrative purposes only and form no part of the claimed design.

1 Claim, 1 Drawing Sheet



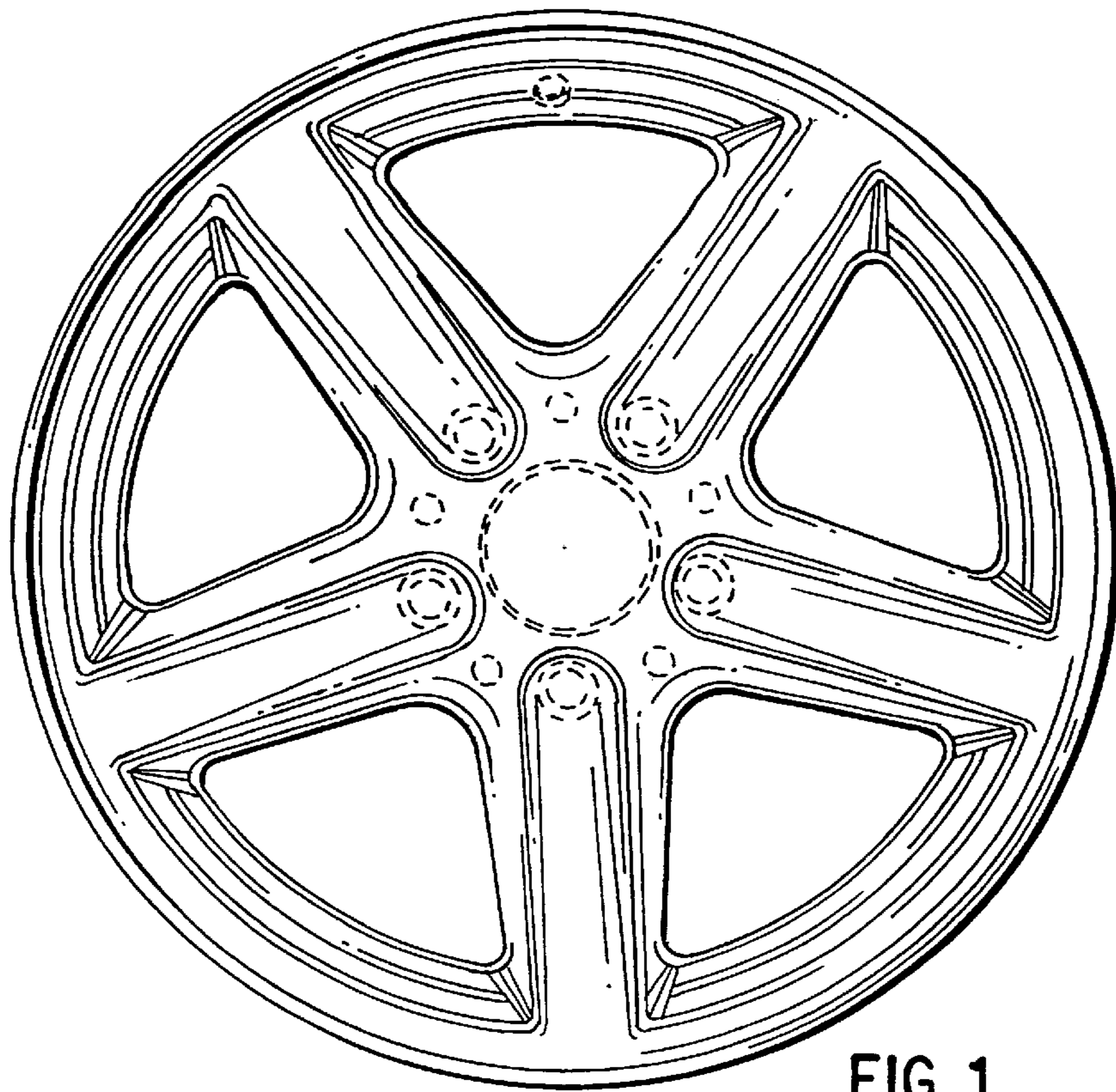


FIG. 1

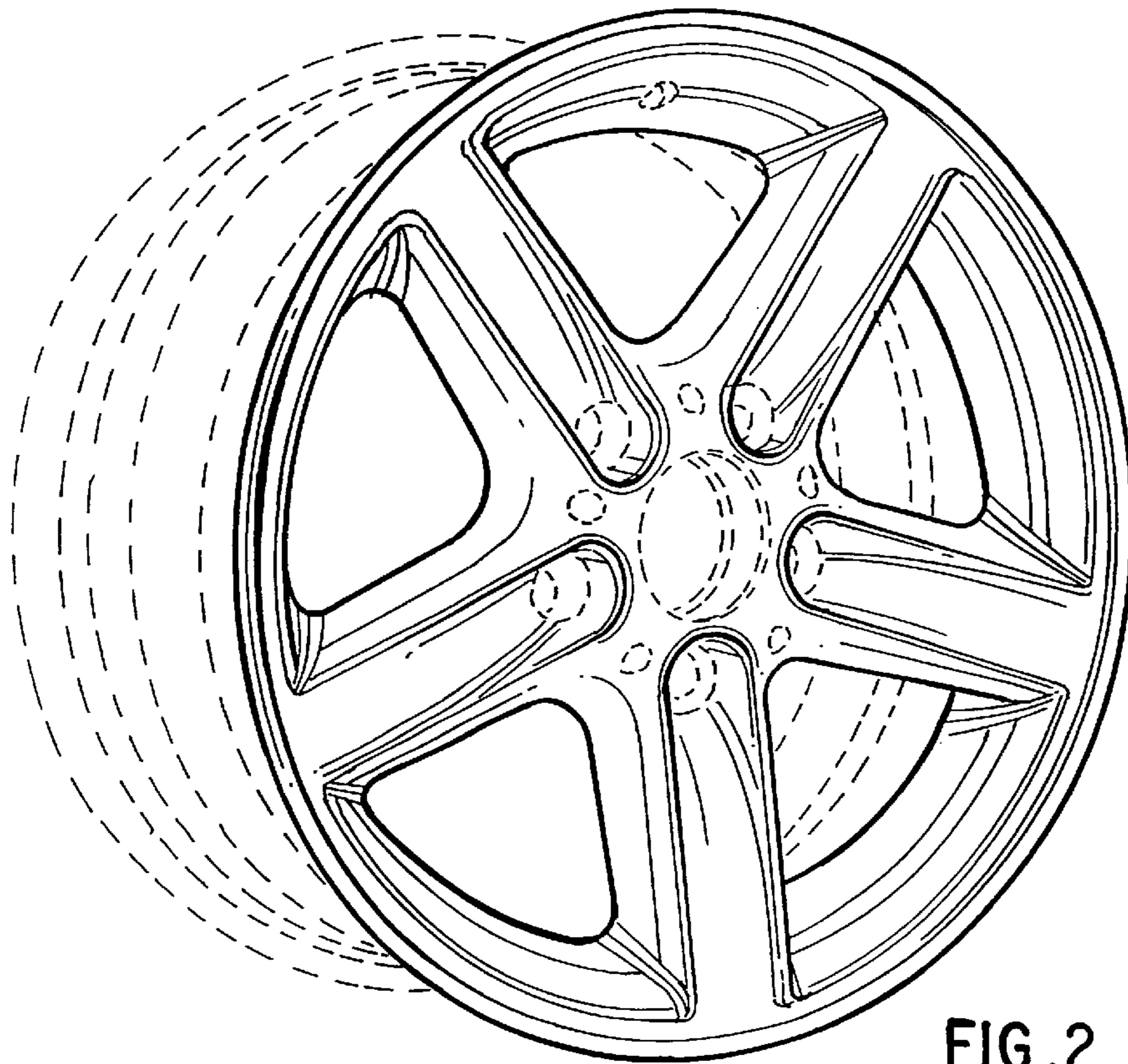


FIG. 2