



US00D407052S

United States Patent [19]
Kelley

[11] **Patent Number: Des. 407,052**

[45] **Date of Patent: **Mar. 23, 1999**

[54] **VEHICLE WHEEL**

[75] Inventor: **Steve Kelley**, Irvine, Calif.

[73] Assignee: **Wheel Components, Inc.**, Fullerton, Calif.

[**] Term: **14 Years**

[21] Appl. No.: **86,070**

[22] Filed: **Apr. 3, 1998**

[51] **LOC (6) Cl.** **12-16**

[52] **U.S. Cl.** **D12/209**

[58] **Field of Search** D12/204-213;
301/64.1, 65, 37.1

| | | | | |
|------------|---------|------------------|-------|---------|
| D. 375,287 | 11/1996 | Neeper | | D12/211 |
| D. 375,716 | 11/1996 | Dehner | | D12/209 |
| D. 379,612 | 6/1997 | Honarkhah | | D12/209 |
| D. 380,432 | 7/1997 | Hettler | | D12/209 |
| D. 381,617 | 7/1997 | Echazabal et al. | | D12/209 |
| D. 384,026 | 9/1997 | Chrysanto | | D12/209 |
| D. 384,027 | 9/1997 | Roesianto | | D12/209 |
| D. 391,543 | 3/1998 | Renkert | | D12/209 |

Primary Examiner—James Gandy
Assistant Examiner—Stacia Sinuik
Attorney, Agent, or Firm—Fulwider Patton Lee & Utecht, LLP

[57] **CLAIM**

The ornamental design for a vehicle wheel, as shown and described.

DESCRIPTION

FIG. 1 is a perspective view of a vehicle wheel showing my new design;
FIG. 2 is an enlarged left side view thereof, it being understood that the right side is a mirror image thereof; and,
FIG. 3 is an enlarged front view thereof.

[56] **References Cited**

U.S. PATENT DOCUMENTS

| | | | | |
|------------|---------|--------|-------|---------|
| D. 249,787 | 10/1978 | Tanaka | | D12/205 |
| D. 267,564 | 1/1983 | Wright | | D12/211 |
| D. 361,547 | 8/1995 | Weld | | D12/211 |
| D. 368,885 | 4/1996 | Wagner | | D12/209 |
| D. 372,699 | 8/1996 | Mantua | | D12/209 |

1 Claim, 2 Drawing Sheets

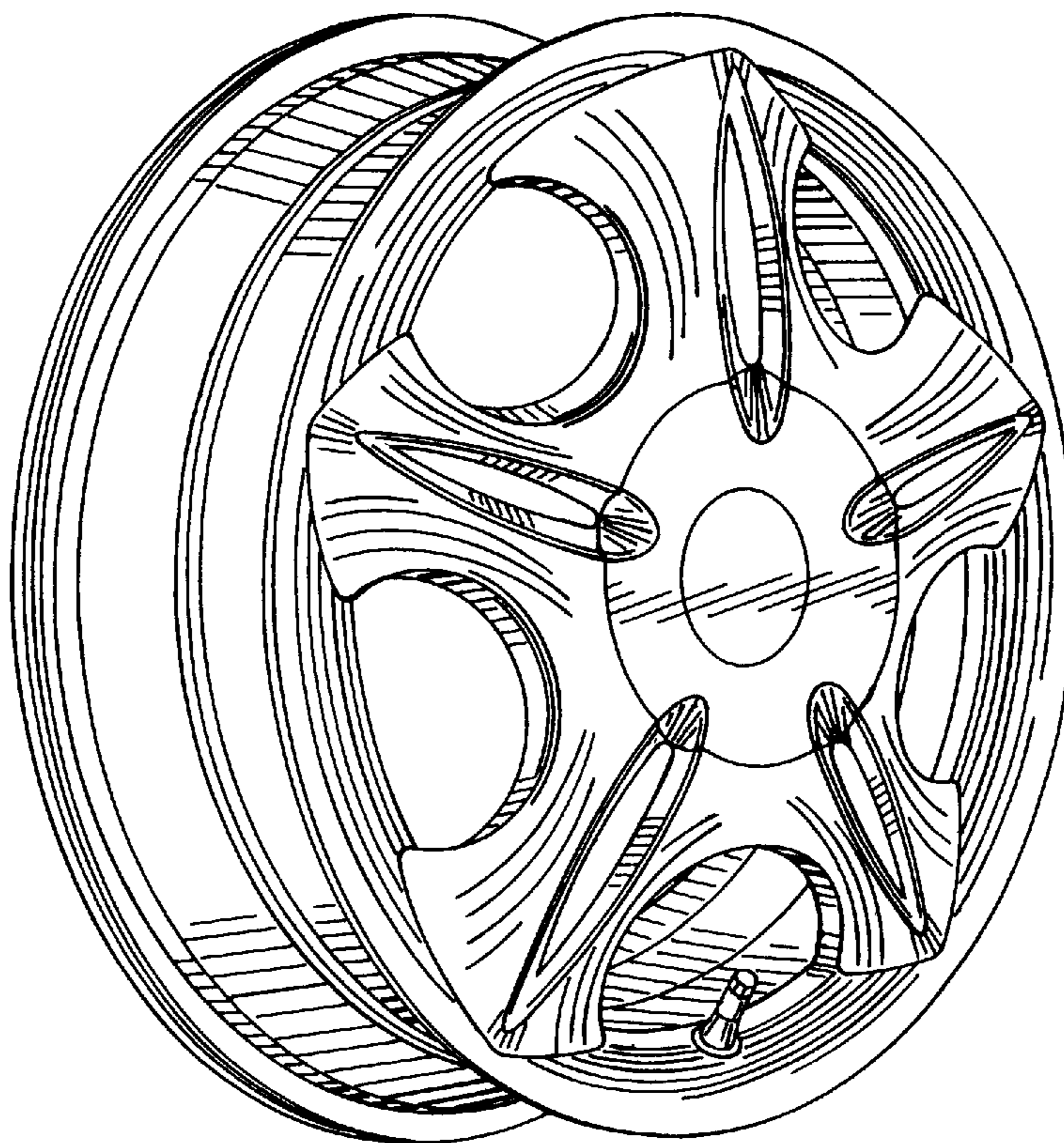


FIG. 1

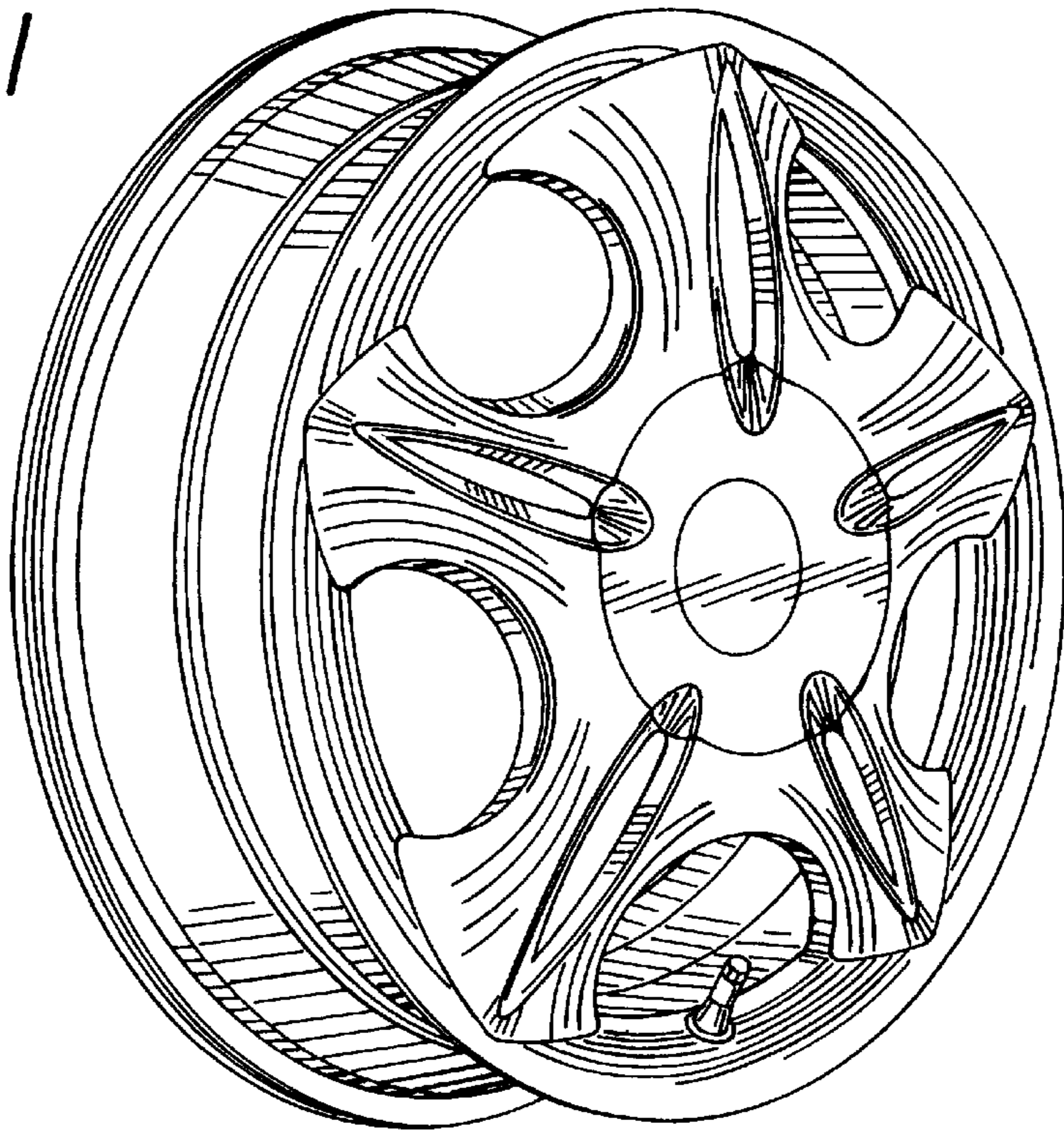


FIG. 2

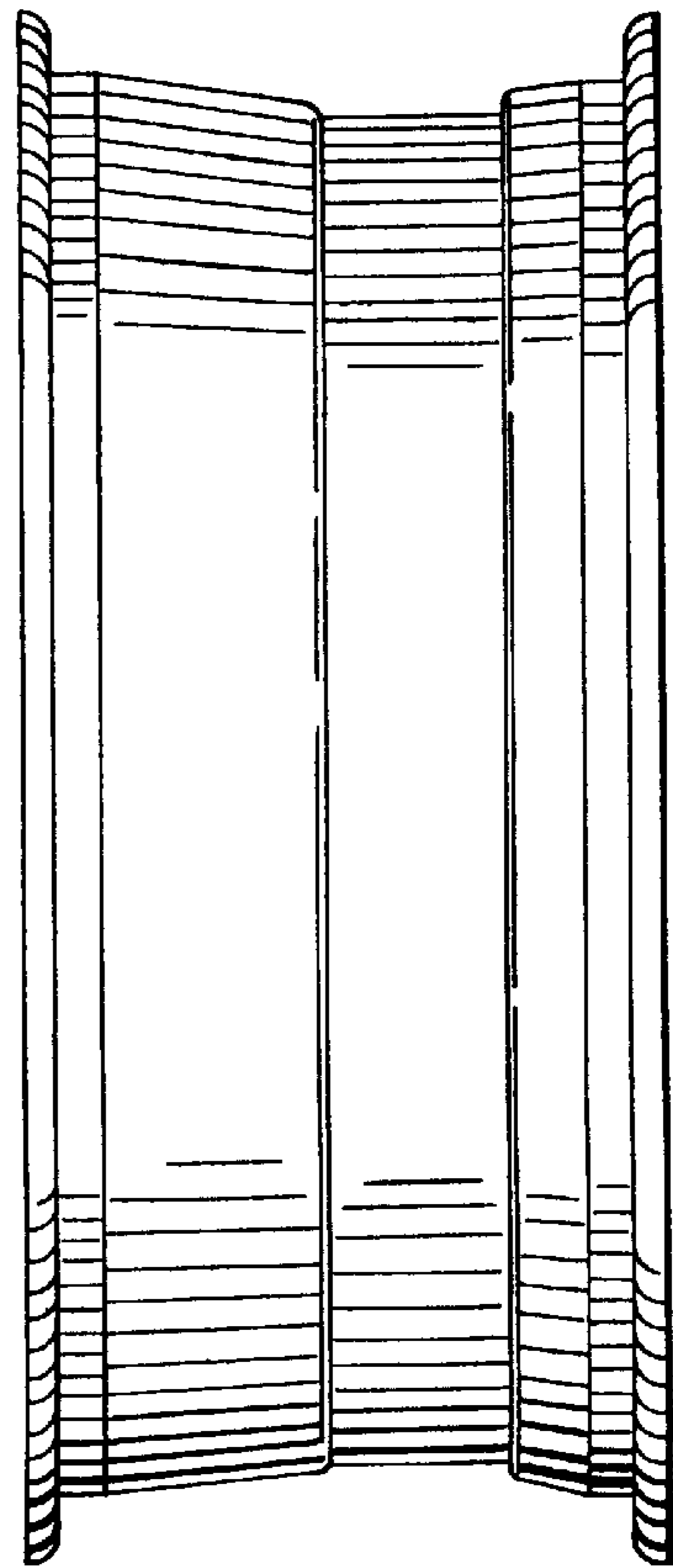


FIG. 3

