



US00D407051S

United States Patent [19] Kelley

[11] Patent Number: **Des. 407,051**

[45] Date of Patent: ****Mar. 23, 1999**

[54] **VEHICLE WHEEL**

[75] Inventor: **Steve Kelley**, Irvine, Calif.

[73] Assignee: **Wheel Components, Inc.**, Fullerton, Calif.

[**] Term: **14 Years**

[21] Appl. No.: **86,054**

[22] Filed: **Apr. 3, 1998**

[51] **LOC (6) Cl.** **12-16**

[52] **U.S. Cl.** **D12/209**

[58] **Field of Search** D12/204-213;
301/64.1, 65, 37.1

- D. 252,509 7/1979 Kozloski D12/209
- D. 256,795 9/1980 Blanchard D12/209
- D. 291,297 8/1987 Reid D12/211
- D. 383,428 9/1997 Brown et al. D12/209
- D. 392,610 3/1998 Noriega D12/209

Primary Examiner—James Gandy
Assistant Examiner—Stacia Sinuik
Attorney, Agent, or Firm—Fulwider Patton Lee & Utecht, LLP

[57] CLAIM

The ornamental design for a vehicle wheel, as shown and described.

DESCRIPTION

FIG. 1 is a perspective view of a vehicle wheel, showing my new design;

FIG. 2 is an enlarged left side view thereof, it being understood that the right side is a mirror image thereof; and, FIG. 3 is an enlarged front view thereof.

[56] References Cited

U.S. PATENT DOCUMENTS

- D. 188,537 8/1960 Shimano D12/211
- D. 246,239 11/1977 Kozloski D12/209
- D. 248,849 8/1978 Kozloski D12/209

1 Claim, 2 Drawing Sheets

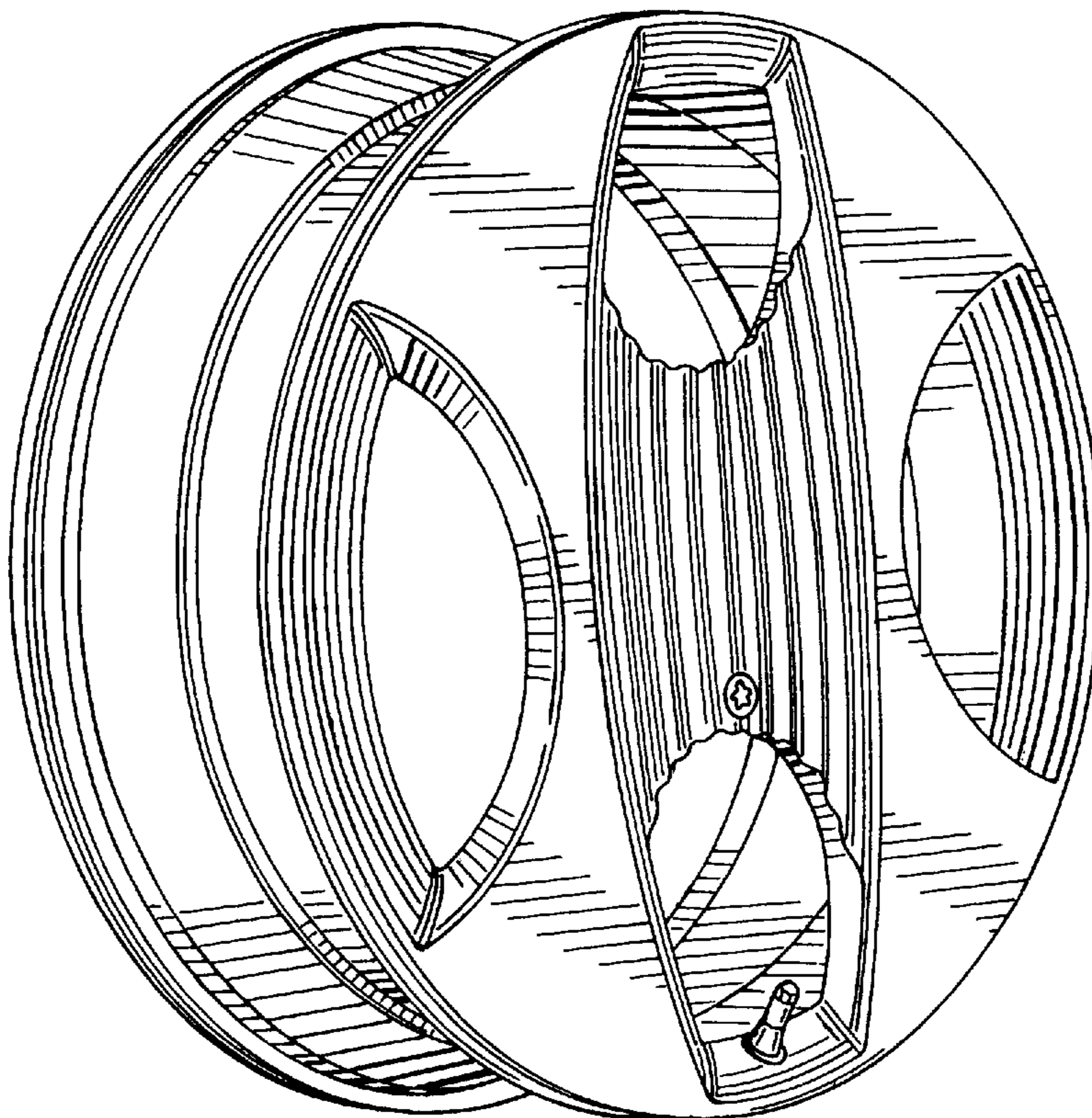


FIG. 1

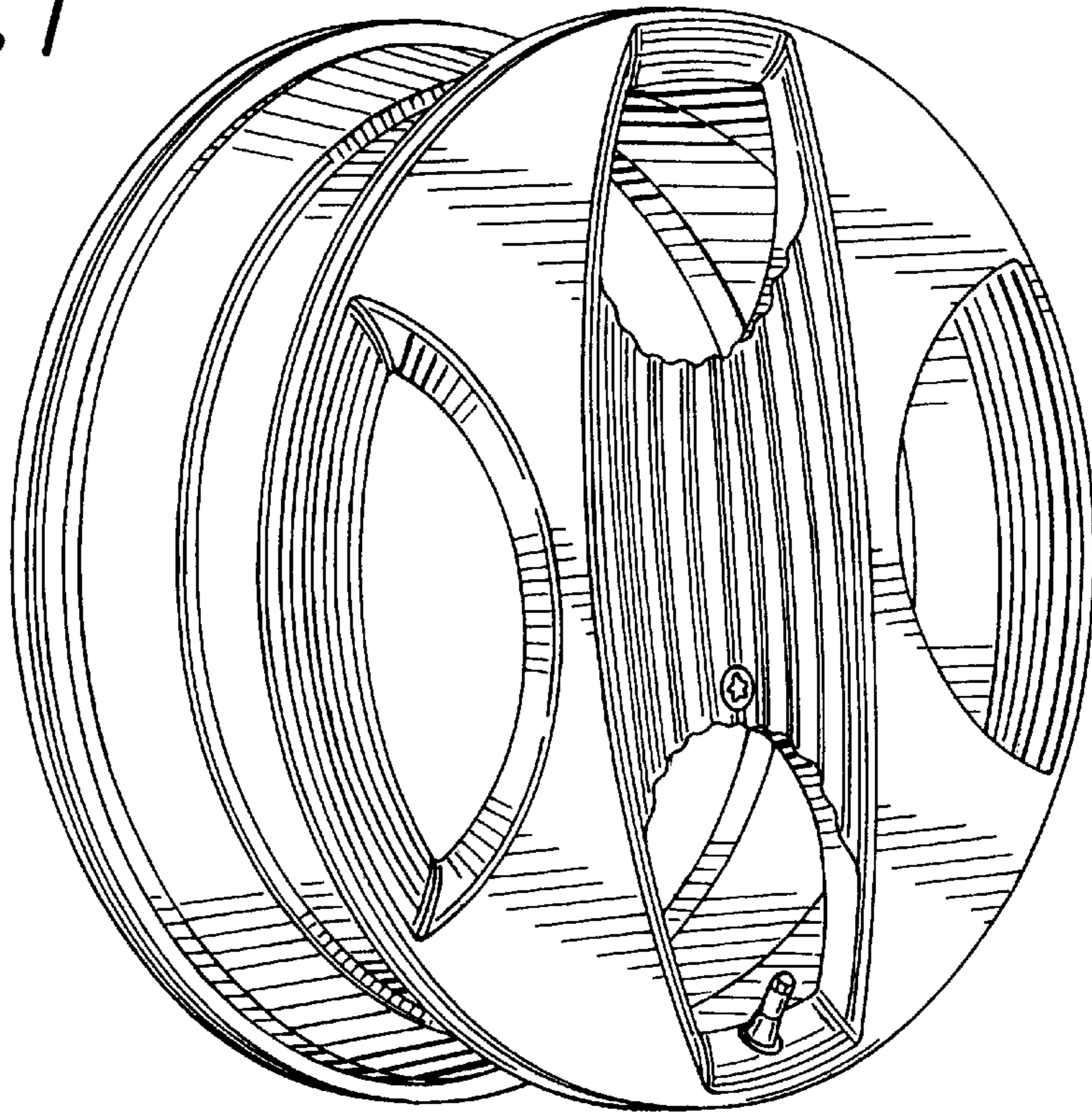


FIG. 2

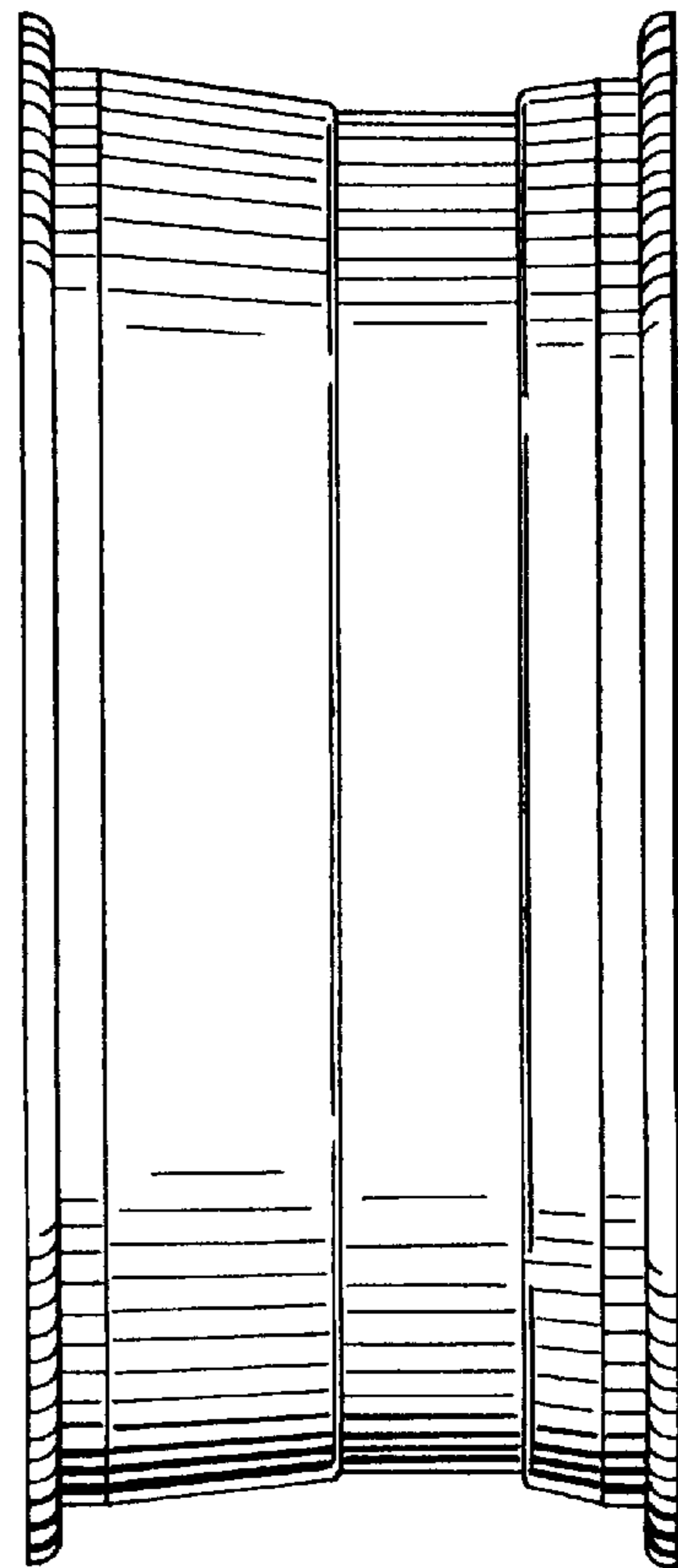


FIG. 3

